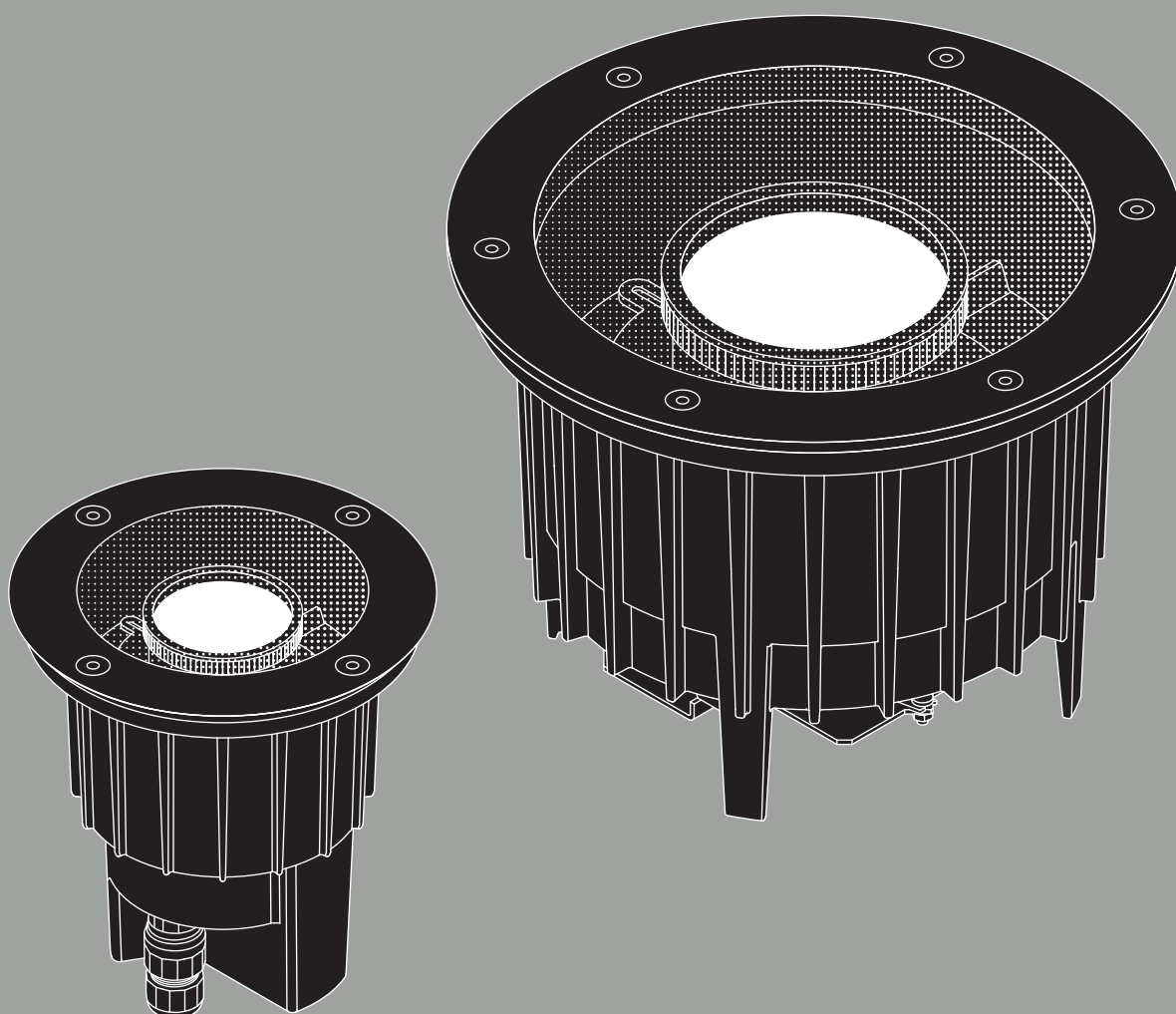


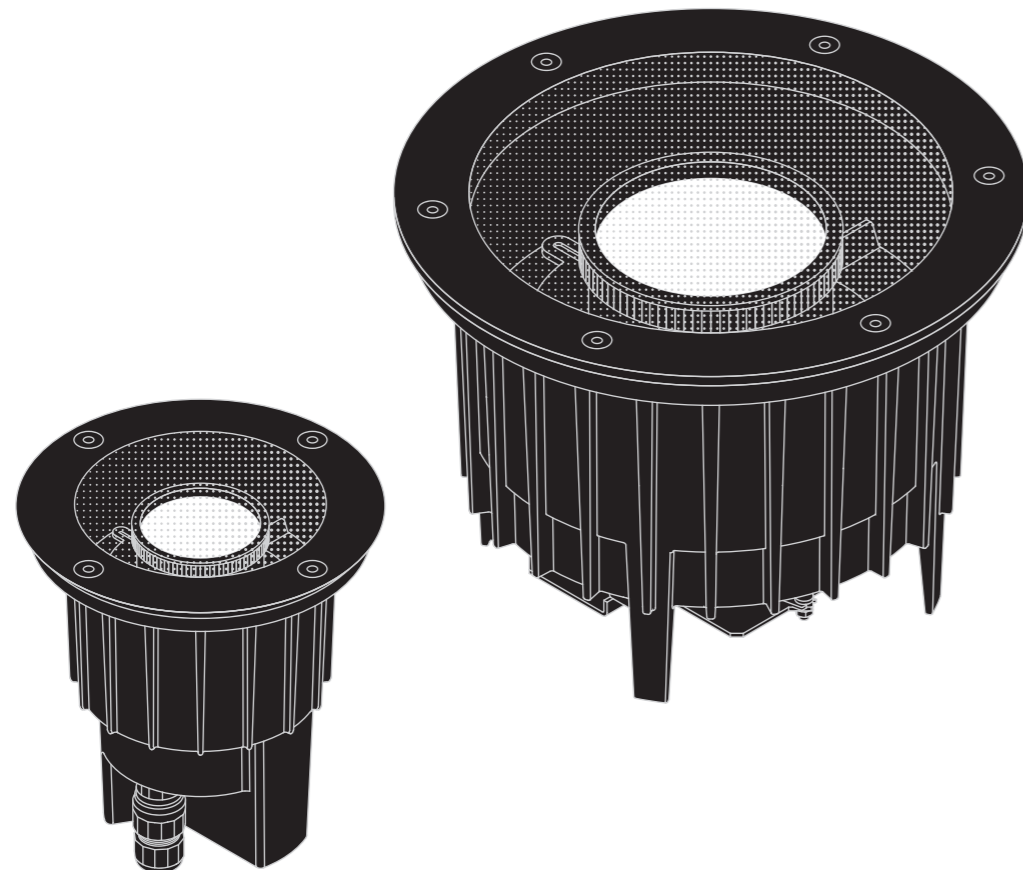
KEPLERO



TARGETTI



Architectural Designer Ma Yansong, MAD Architects



The complete range of recessed LED ingrade fixtures for outdoor lighting. The two different sizes with a wide range of optics with white and RGBW LED sources and different lumens are the expression of versatility and performance.

KEPLERO

Solidity and sturdiness combined with great application flexibility, make Keplero the ideal tool for any project of outdoor lighting. Keplero was developed to withstand even the most hostile conditions: it features unique mechanical characteristics and flexible optical systems.

GENERAL INFO

Recessed professional projector
 ø11in • ø6in

LED

Chip on board for ZOOM – WALL WASHER versions
 Emitter for RGBW – GIMBAL versions
 From 826lm to 4665lm
 Available in ranges from 2700K through 4000K
 Ra84

PRODUCT EFFICACY

Up to 106lm/W

OPTICS

SP • FL • EL • MWFL • WFL • WALL WASHER

POWER SUPPLY

4/1 Dimming (Non-Dimming / 0-10V / Reverse Phase / Forward Phase)

MATERIAL

Anodized and black painted die-cast aluminium body completed with Marine Grade catephoresis treatment. Brushed stainless steel ultra flat decorative ring with bevelled edge.



Enhancements

Mini Hi-Efficacy



Optics	Wattage	Fixture Lumens	Efficacy
Spot 11°	14% ↓	30% ↑	38% ↑
Flood 18°	14% ↓	31% ↑	40% ↑
Medium Wide Flood 40°	14% ↓	31% ↑	40% ↑

Mini Zoom



Optics	Wattage	Fixture Lumens	Efficacy
Spot 15°	7% ↓	6% ↑	12% ↑
Flood 32°	7% ↓	7% ↑	13% ↑
Medium Wide Flood 53°	7% ↓	7% ↑	13% ↑
Wide Flood 63°	7% ↓	5% ↑	11% ↑

Zoom



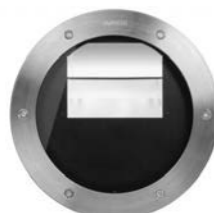
Optics	Fixture Lumens	Efficacy
Spot 19°	24% ↑	24% ↑
Flood 26°	24% ↑	24% ↑
Medium Wide Flood 42°	24% ↑	24% ↑
Wide Flood 64°	24% ↑	24% ↑

Zoom RGBW



Optics	Wattage	Efficacy
Spot 19°	18% ↓	15% ↑
Flood 26°	18% ↓	15% ↑
Medium Wide Flood 42°	18% ↓	15% ↑
Wide Flood 64°	18% ↓	15% ↑

Wall Wash



Optics	Wattage	Fixture Lumens	Efficacy
Wall Wash	3% ↓	23% ↑	25% ↑

NEW TO THE KEPLERO RANGE

NEW New Keplero Mini RGBW fixture is now available.



NEW Added Keplero Mini HE Factory Sealed with non-removable glass for installation humidity control.



NEW Keplero Gimbal fixture is now available with new Elliptical optic. The Elliptical optic is the ideal tool for illuminating façades and perimeter walls as it also perfectly illuminates the eaves with no light spillage.



IMPROVEMENTS TO THE KEPLERO RANGE

↑ Stainless steel screw 316L with stainless steel 316L insert for improved anti-corrosive properties.

↑ Cataphoresis treatment for marine grade installations and fixture protection as standard for all models.

↑ Aqua stop cable now available with all inground fixtures for protection of fixture to fixture wicking due to accidental damage.

↑ Sealed metal driver box for large Keplero fixture for improved protection (moisture, heat, impact).

↑ Improved gasket for additional 2/3 sided compression for improved seal.

↑ Keplero RGBW fixtures now available with integral IP68 DMX input/output connections.

↑ Improved driver 4/1 (Non-Dim / 0-10V ELV Reverse Phase / MLV Forward Phase).

↑ Keplero and Keplero Mini now available with anti-slip glass as standard along with Keplero fixtures with linear anti-slip pattern.



↑ Half frosted glass available as standard on Keplero and Keplero Mini fixtures.

Keplero



Zoom
4 in 1 Adjustable Optic
Spot, Flood, Medium Wide
Flood, Wide Flood

A powerful solution

An ideal and flexible choice for lighting large and small public spaces, building façade and landscape elements given its size and high performance.



Zoom RGBW
4 in 1 Adjustable Optic
Spot, Flood, Medium Wide
Flood, Wide Flood



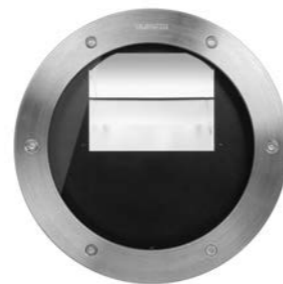
Gimbal
Narrow Spot, Flood,
Elliptical



Gimbal HP
Narrow Spot, Spot, Flood



Wall Washer RGBW



Wall Washer

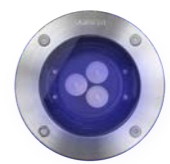
Keplero Mini



Zoom
4 in 1 Adjustable Optic
Spot, Flood, Medium Wide Flood,
Wide Flood

Compact version

With a diameter of only 6in and an installation depth of 8in, Keplero Mini takes technology and flexibility from the large version. Its high performances and compact size make it suitable to light outdoor spaces, building façade and landscape elements.



RGBW
Spot, Flood, Medium Wide Flood



Gimbal
Spot, Flood



Hi-Efficacy
Spot, Flood, Medium Wide Flood



Hi-Efficacy Factory Sealed
Spot, Flood, Medium Wide Flood
Features tamper proof Torx screws factory
attached with lock tight adhesive for
permanent seal.



Wall Washer



Strength, attention to details, performance, flexibility.

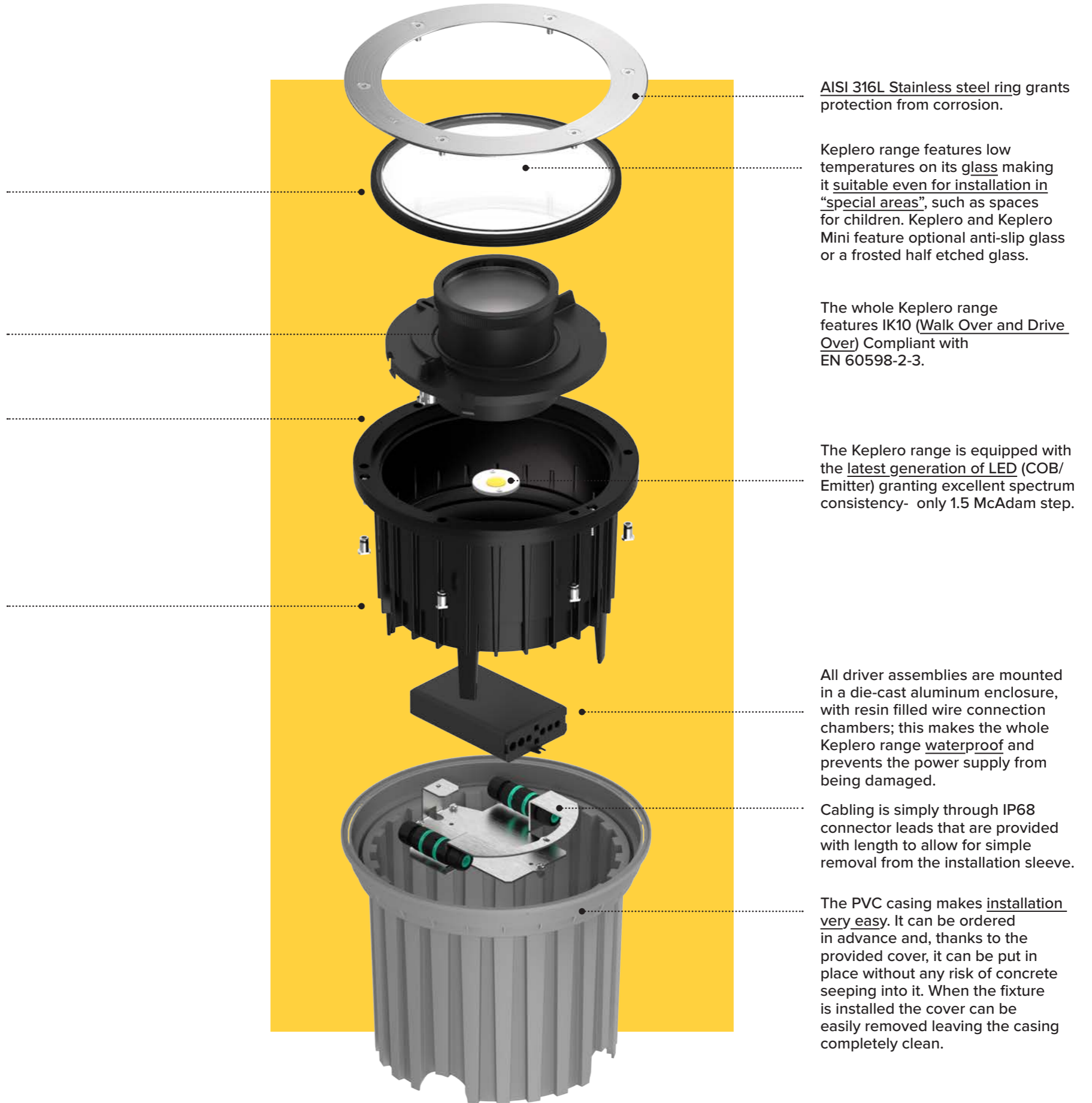
Every detail in Keplero has been studied to make the whole range extremely strong, highly resistant to corrosion, completely waterproof, high performing and versatile. The selection of the best sources and materials, the development of exclusive optical systems, the cataphoresis treatment, the sealing processes on the electronic and electrical components, and the continuous improvements on the entire range, have made Keplero resistant to aggressive environments. The whole Keplero range complies with IP66, IP67 and IP68 and IP69K protection requirements.

Plus

The specially designed “C” shape gasket holding the glass perfectly insulates the optical chamber guaranteeing the IP69K rating (Compliant with DIN 40050-9). This allows the fixture to withstand high-pressure and steam cleaning.

- A** Graduated rings help with recognizing adjustments for easy pointing repetition on the Keplero Zoom.
- B** Special stainless steel inserts - with a silicone o-ring - house the fixing screws of the ring thus preventing corrosion deriving from galvanic interactions.

New aluminum “primary alloy” with low copper additives for the diecasted body, increases corrosion resistance. 8µm of anodization, 15/40µm of cataphoresis electro coating and 100µm of polyester black paint on top, grant protection to the entire exposed surfaces. Thanks to these treatments Keplero can be used from ocean shoreline to 1/2 mile inland (no submersion), while maintaining the 5-year warranty. Salt spray test resistance 1400h.

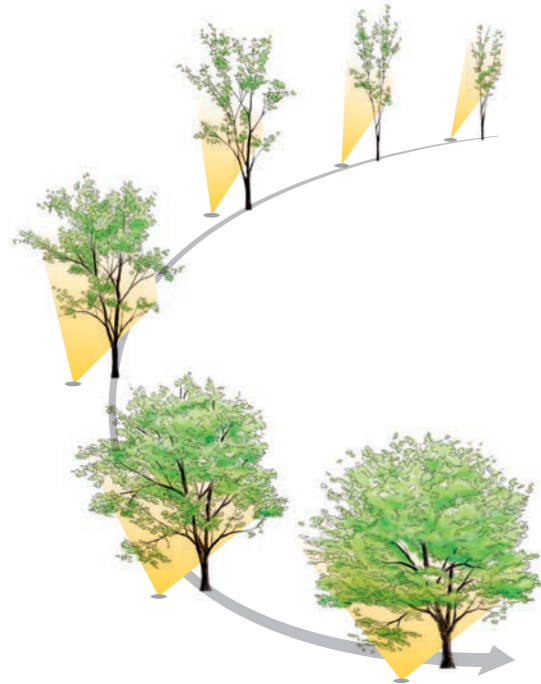




Photography ©SAC Design

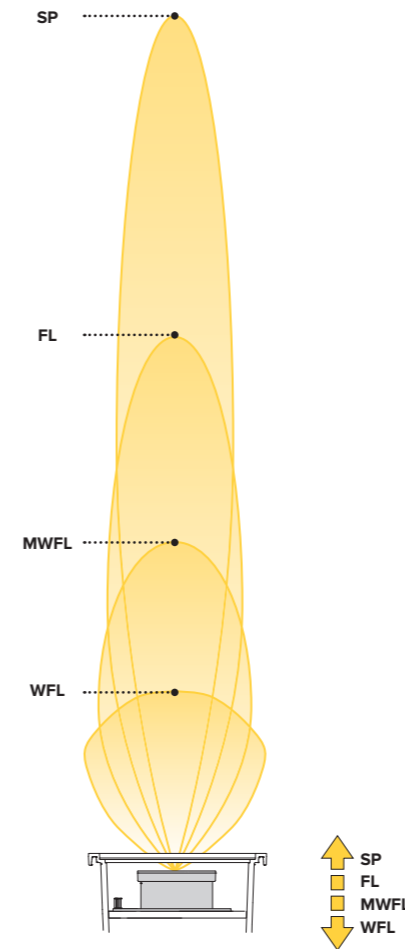
Keplero Zoom and Keplero Mini Zoom

The strength of an in-ground fixture in perfect contrast with a unique dynamic optical system that creates numerous light beams with just one system. With Keplero Zoom and Keplero Mini Zoom the light can change at any time thanks to its revolutionary patented optical system with four set optics - spot, flood, medium wide flood, and wide flood.



Keplero light, just like nature, is continuously evolving. The Zoom optic is perfect to light trees, even those that have just been planted. At first the effect is concentrated on highlighting the trunk; as the tree grows, shoots appear and the optical system takes on a new

configuration where the beam opens and lights up the canopy. Nothing can escape the Keplero light, which can be adjusted and changed depending on requirements. There are also no harmful UV or IR rays.

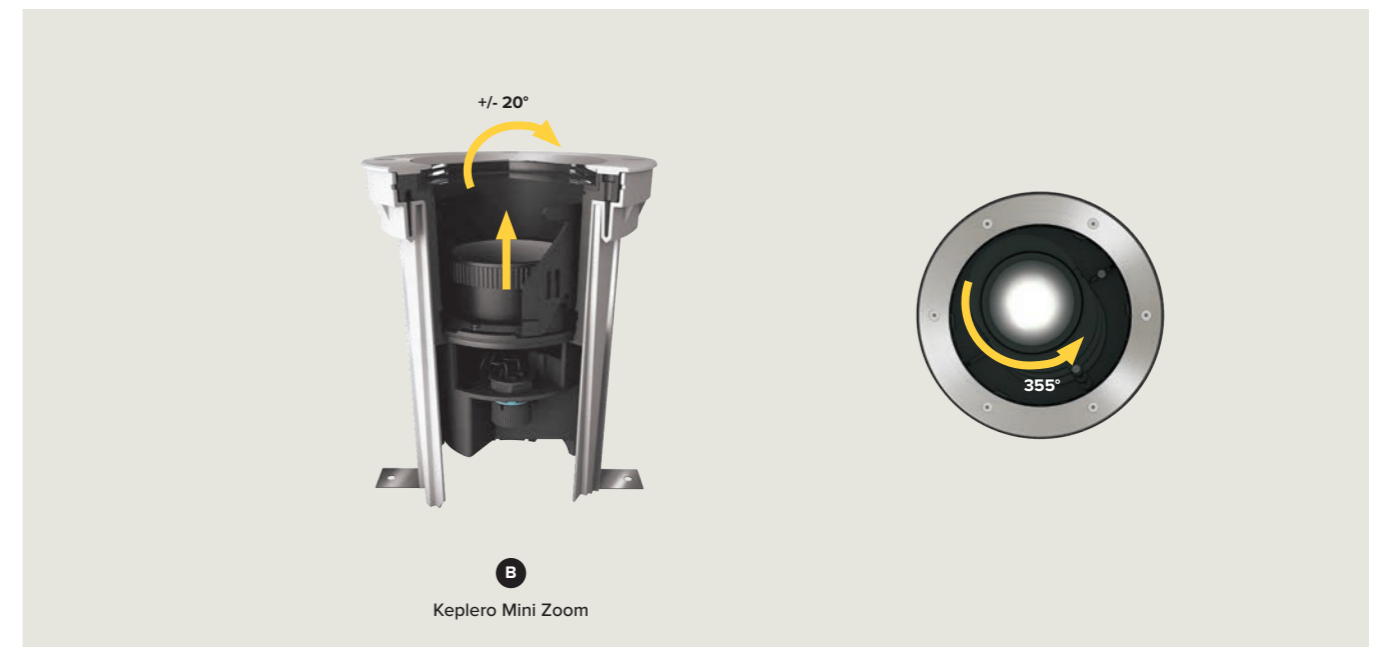
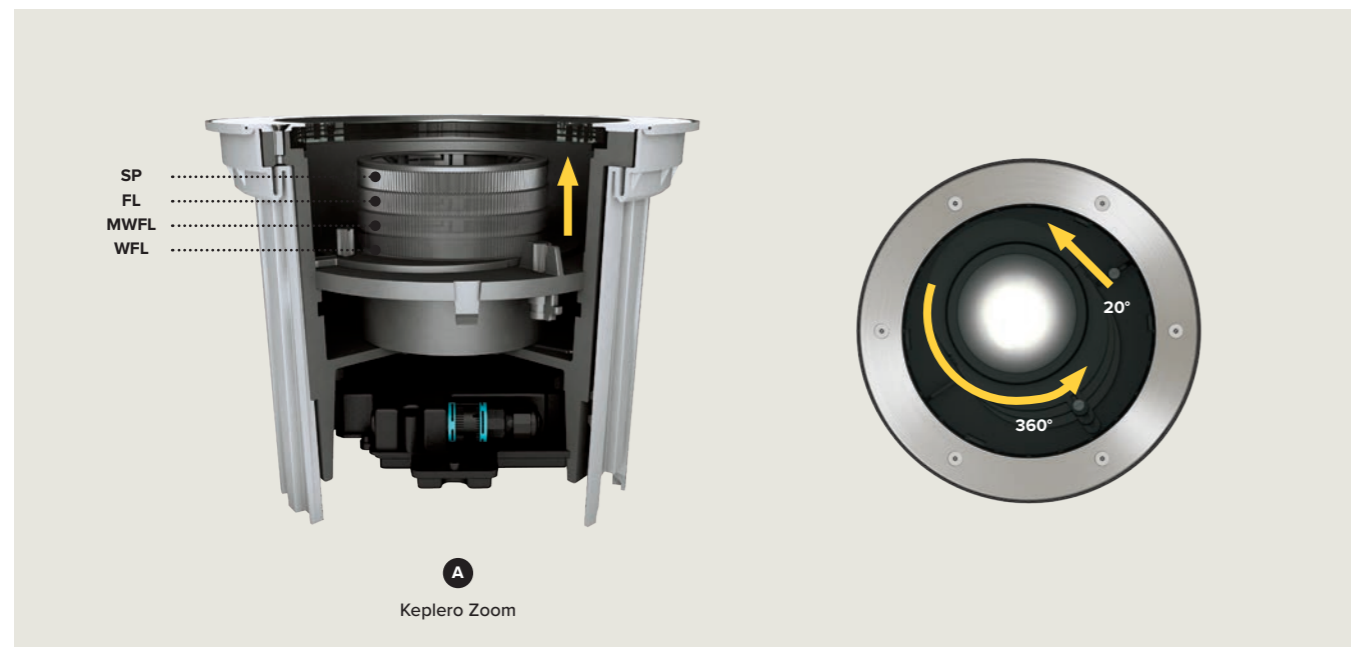
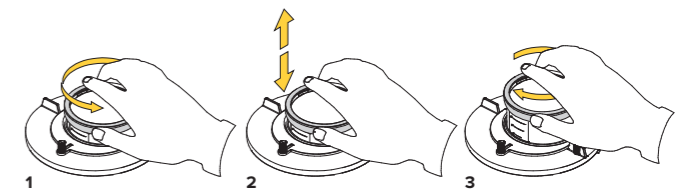


The Keplero Zoom versions are equipped with a patented optical system that allows variation of the beam opening by manually moving the optical chamber. In just three simple movements - extraction, translation

and rotation - it is possible to vary the beam opening from spot to wide flood and adjust the beam up to 20°. Graduated rings help to recognize the adjustment allowing for easy repetition.

Beam adjustment is obtained in different ways for the two different sizes. In the Keplero (11in) versions the optical chamber can be translated towards the surface to be adjusted up to 20°. In the Keplero Mini (6in) versions the optical chamber is positioned

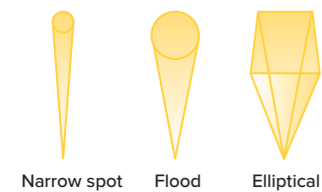
on a gimbal system that allows it to be tilted easily up to 20°. In both versions it is also possible to rotate the optical chamber so that it is parallel with the horizontal plane in order to direct the beam towards any element regardless of its shape or position.



Keplero Gimbal and Keplero Mini Gimbal

- A** Three optics available for Keplero
- NSP
 - FL
 - EL* (ovalized 43°x30° emission)

* The Elliptical optic is the ideal tool for illuminating façades and perimeter walls as it also perfectly illuminates the eaves with no light spillage.

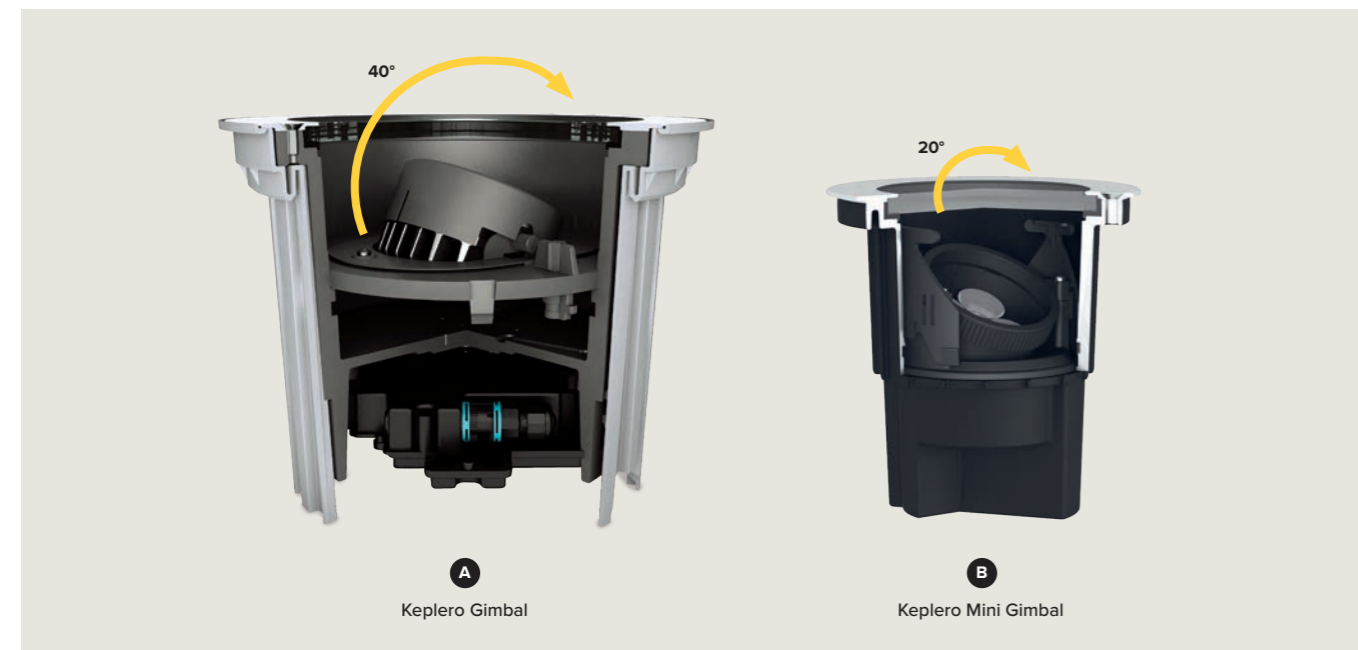
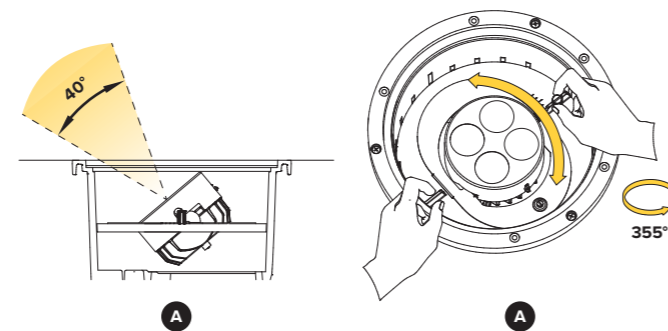


- B** Two optics available for Keplero Mini
- SP
 - FL

For absolute precision lighting the Gimbal versions are the ideal solutions. Thanks to their high performance and the adjustability of the optical group, Keplero Gimbal and Keplero Mini Gimbal are professional tools for projected light.

The PMMA lenses the LED board is equipped with, combined with a special filter, enhance the emission of the sources and make it possible to obtain perfectly clean and precise beams. This makes Keplero perfect for lighting façades of high-rise buildings especially where particular details can be highlighted with precision.

The Keplero (11in) version is a real projector thanks to the high performance and flexibility of its adjustable optical unit with up to 40° tilt with a manual beam locking system. The Mini (6in) version guarantees the same clean beam with lower power and high performance. The optical chamber can be tilted up to 20°.



Keplero Gimbal HP

- A** Three optics available
- NSP
 - SP
 - FL

Keplero Mini RGBW

- B** Two optics available
- SP
 - FL
 - MWFL

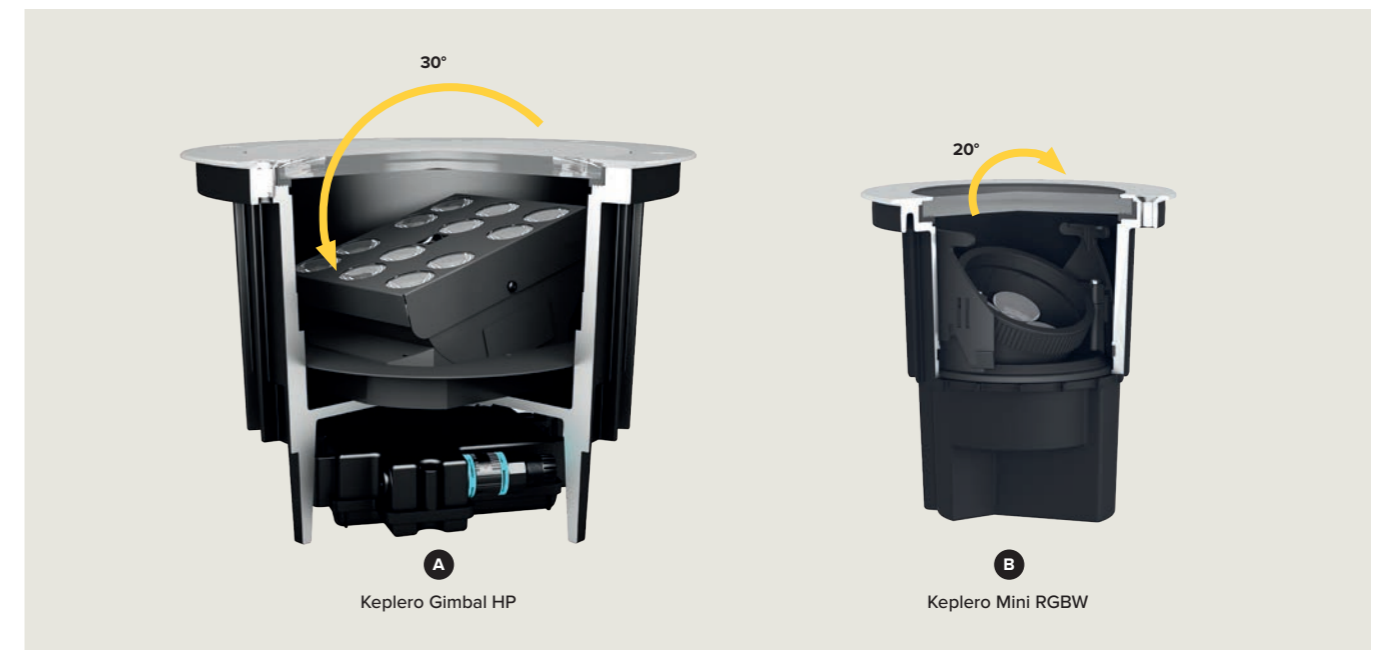
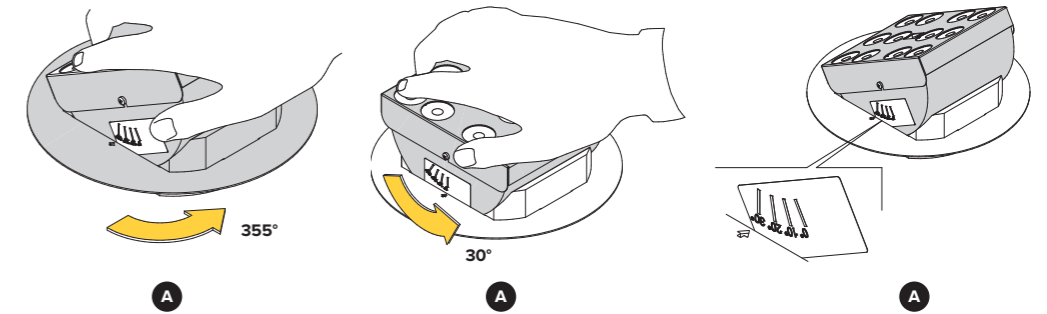
The Keplero Gimbal HP version is designed to produce high intensity narrow beams and is the ideal solution for precision lighting from long distances.

The optical unit can be adjusted to meet different project needs. The Gimbal system allows the beam angle to tilt up to 30° and the optical unit to be rotated by 355°.

The Keplero Mini RGBW is designed as a compact inground fixture with dynamic color-changing RGBW LEDs. With 2 fixed beam options achieved by using RGBW multichip color changing LEDs recommended for landscape elements.

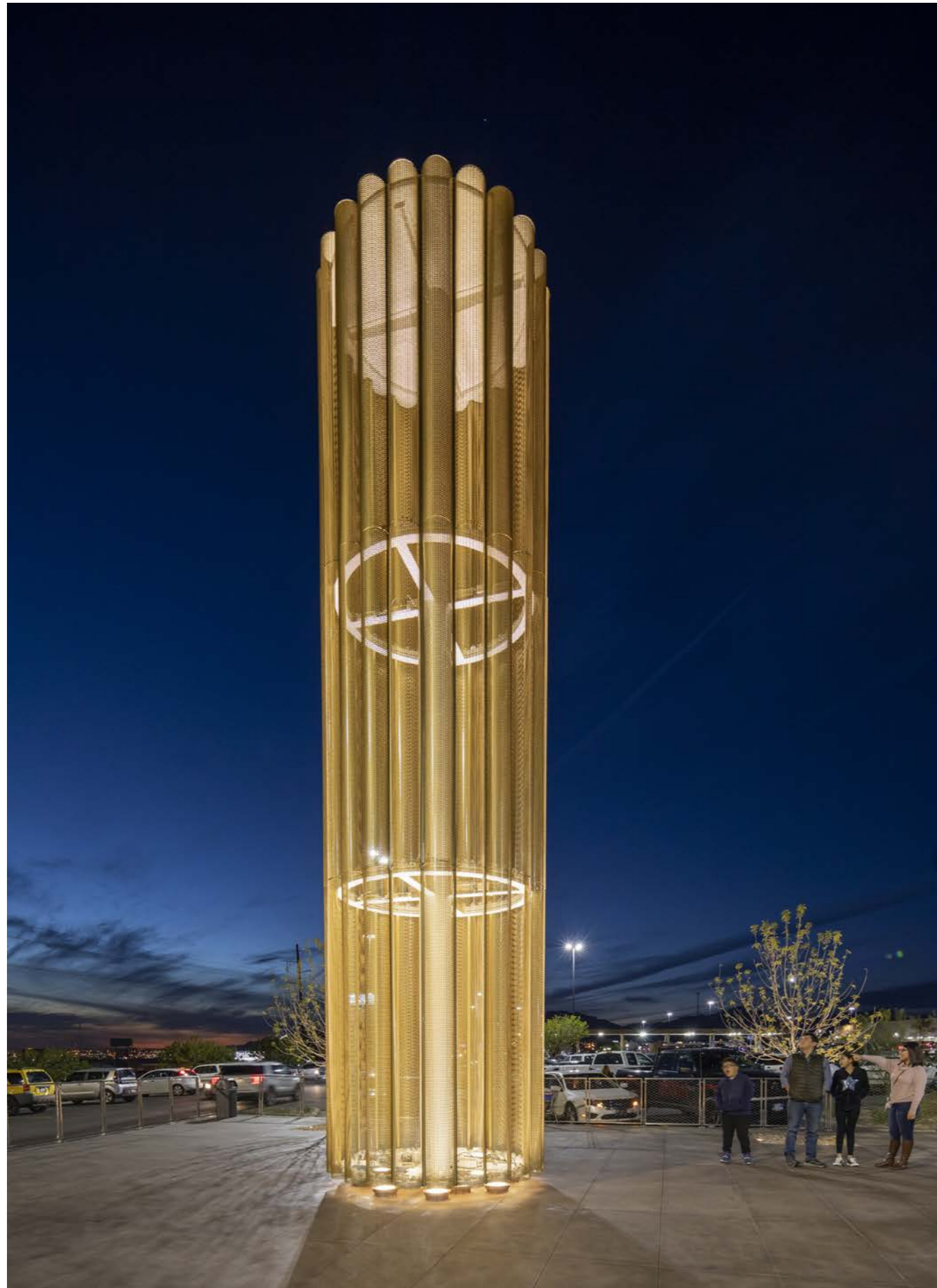
Using a 3 LED gimbal optic system with both Spot and Flood optics, the Mini RGBW allows the beam angle to tilt up to 20° and the optical unit to be rotated by 355°.

Graduated tilt markings allow consistent aiming from fixture to fixture.



Grand Candela Memorial

El Paso, TX, USA



Photography © Jommu Singleton/SWA

Lighting Designer HLB Lighting Design
Landscape Architect SWA

The Pools

Irvine, CA, USA



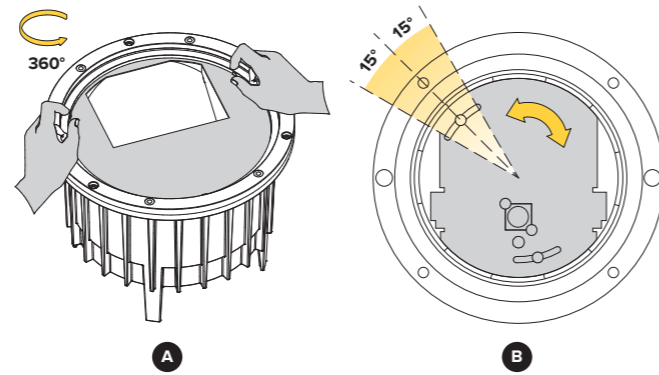
Photography © Brad Nelson

Lighting Designer Studiok1

Keplero Wall Washer and Keplero Mini Wall Washer

The Keplero Wall Washer versions provide uniform lighting on vertical surfaces. The hybrid optical system, composed of a lens, a holographic filter and specially designed reflector, not only ensure complete uniformity on vertical surfaces but light that grazes very close to the floor.

Keplero Mini Wall Washer is equipped with an optical system that, in addition to allowing for excellent uniformity of the lighting beam, guarantees installation flexibility. The optical system can be rotated by $\pm 15^\circ$ in order to precisely adjust the beam with the lit surface.



Keplero Mini High Efficacy

The Keplero Mini range also includes high efficacy versions that, with very low power, ensure extremely high performance. The different high-specular polycarbonate reflectors focus the emission of one of the most high-performance and top quality LED COB on the market. A soft, high performance beam for the simpler, more powerful version in the Keplero Mini range.

Keplero Mini High Efficacy is now available in an optional Factory Sealed version with non-removable glass for installation humidity control.

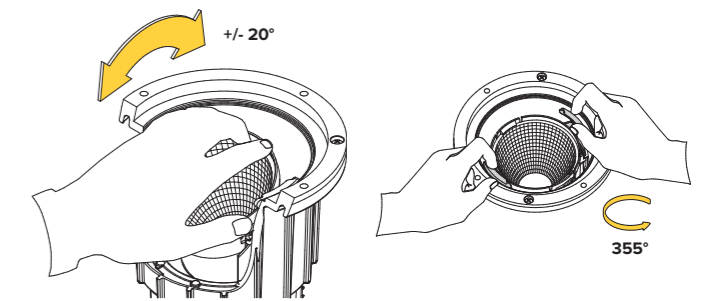
The optic system can be adjusted up to $\pm 20^\circ$ on the vertical plan and up to 355° on the horizontal plan with a friction locking mechanism.

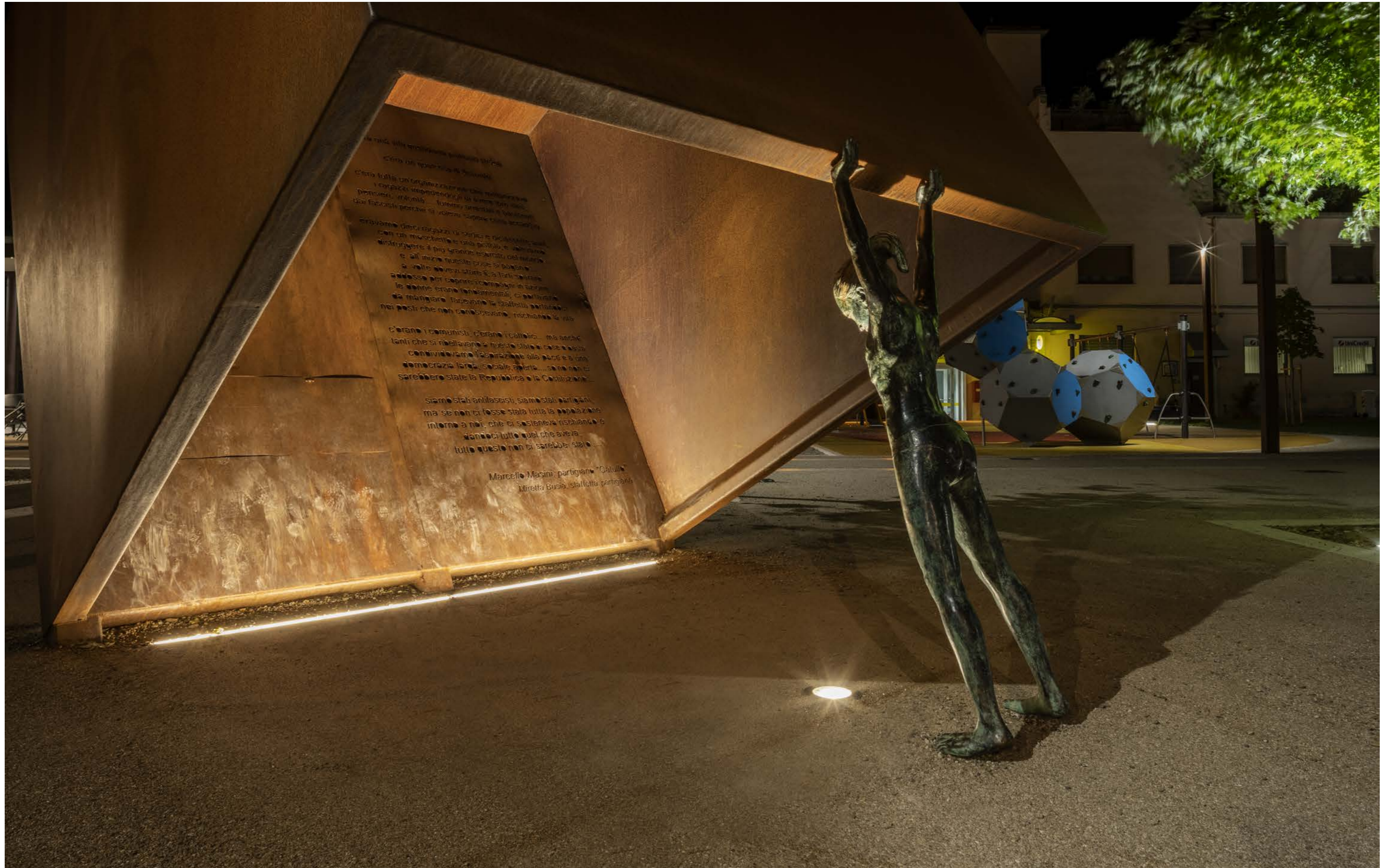
Three optics available

- SP

- FL

- MWFL

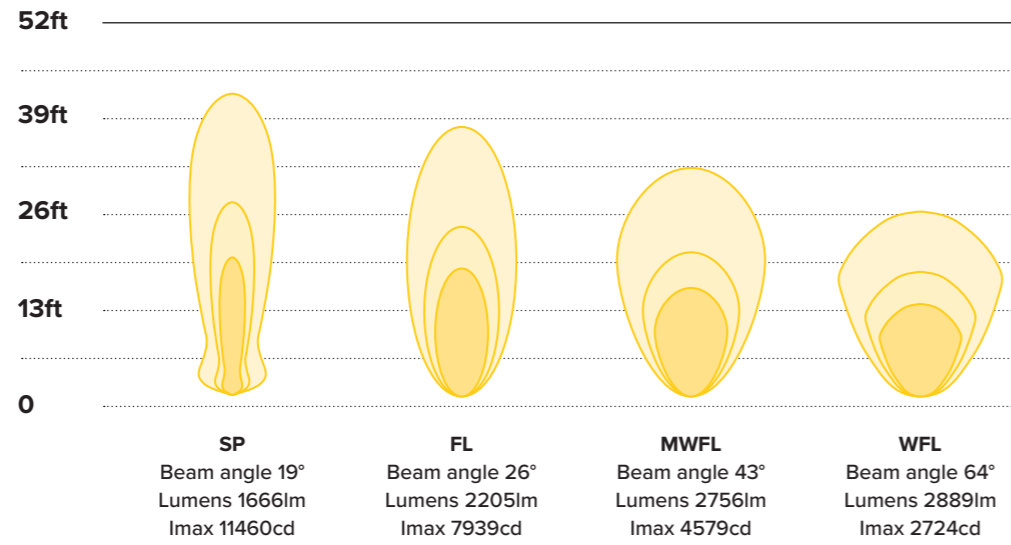




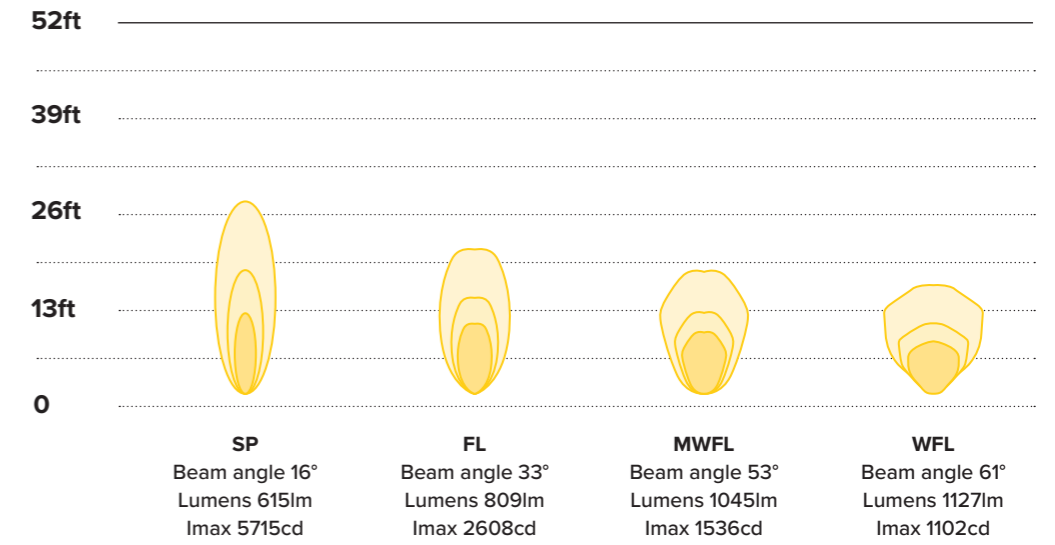
Photographer ©Ivan Rossi

Project Guide

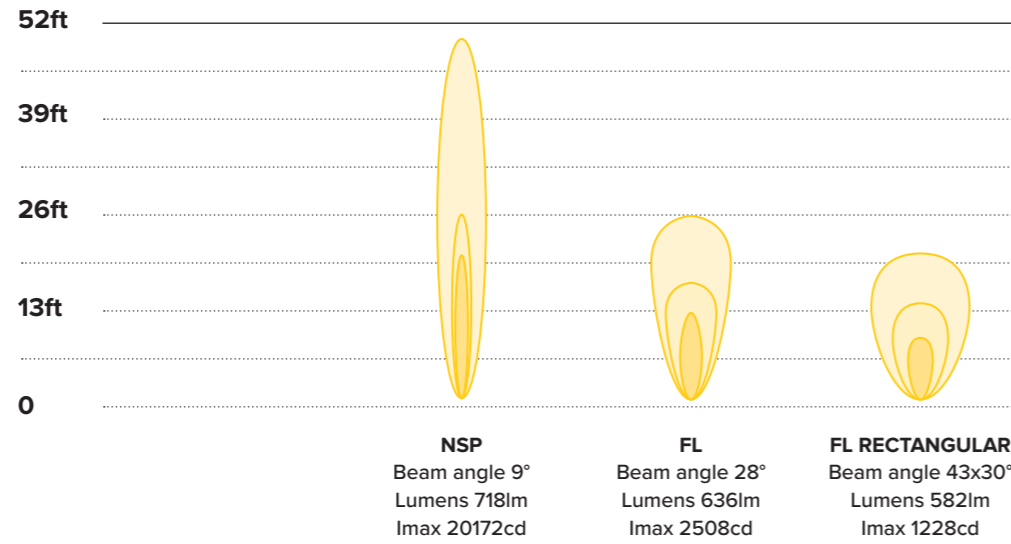
Zoom



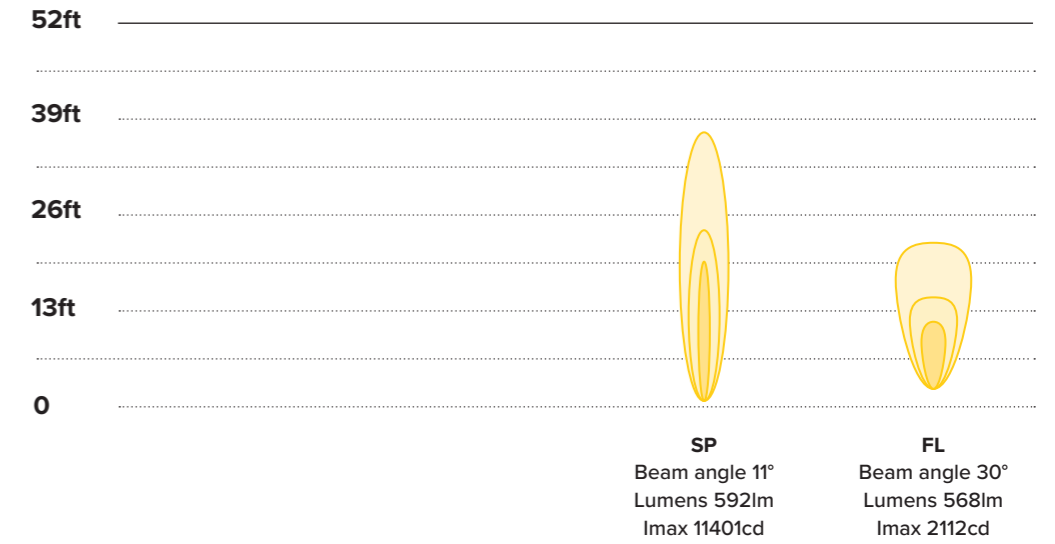
Mini Zoom



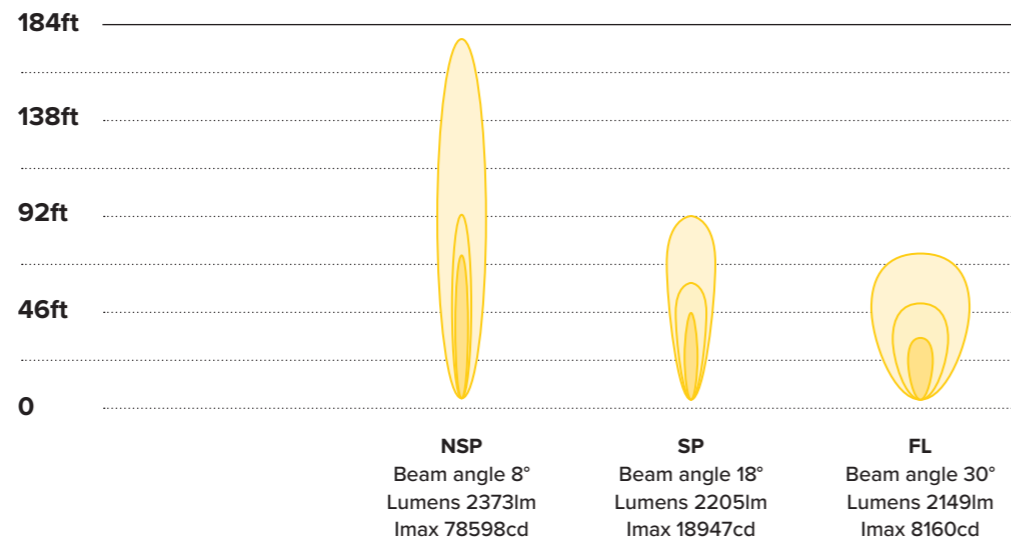
Gimbal



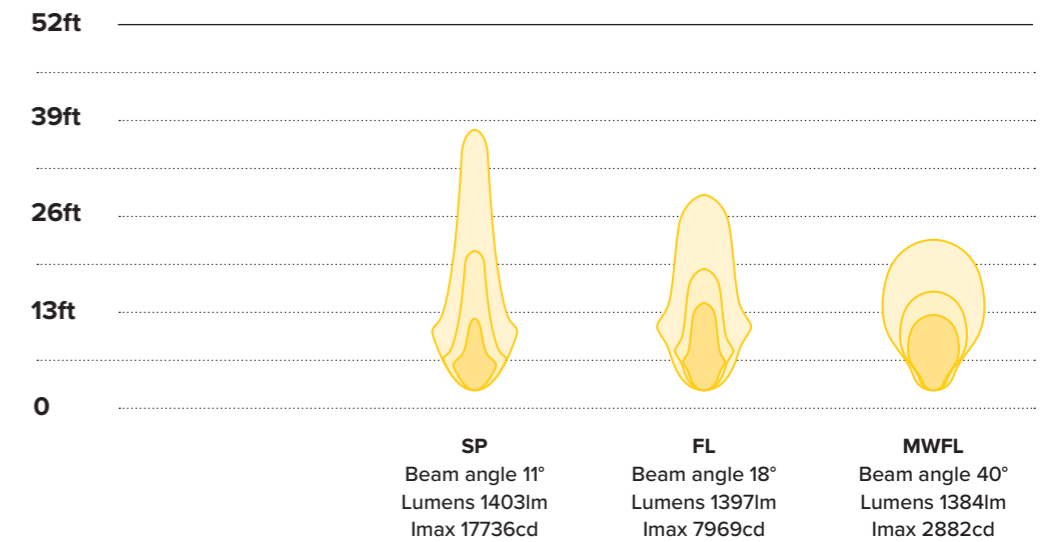
Mini Gimbal



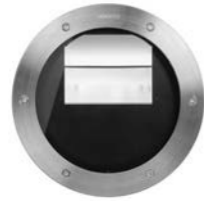
Gimbal HP



Mini Hi-Efficacy



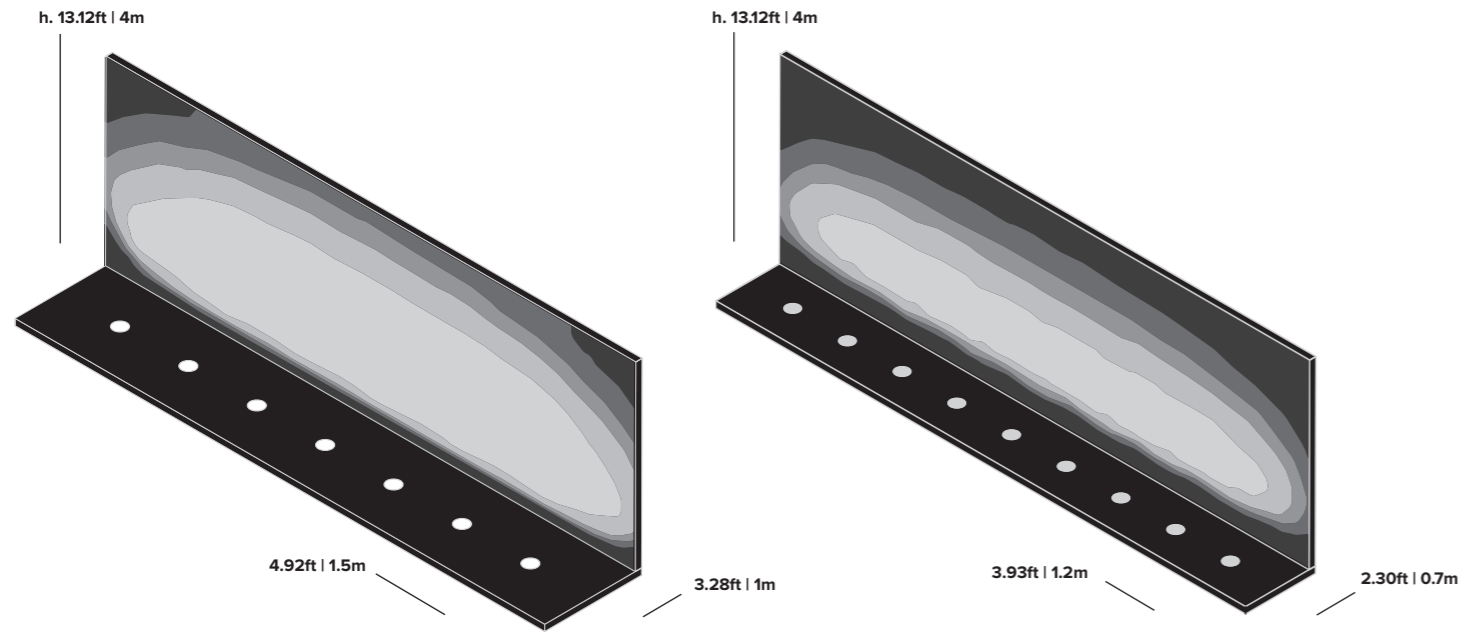
Project Guide



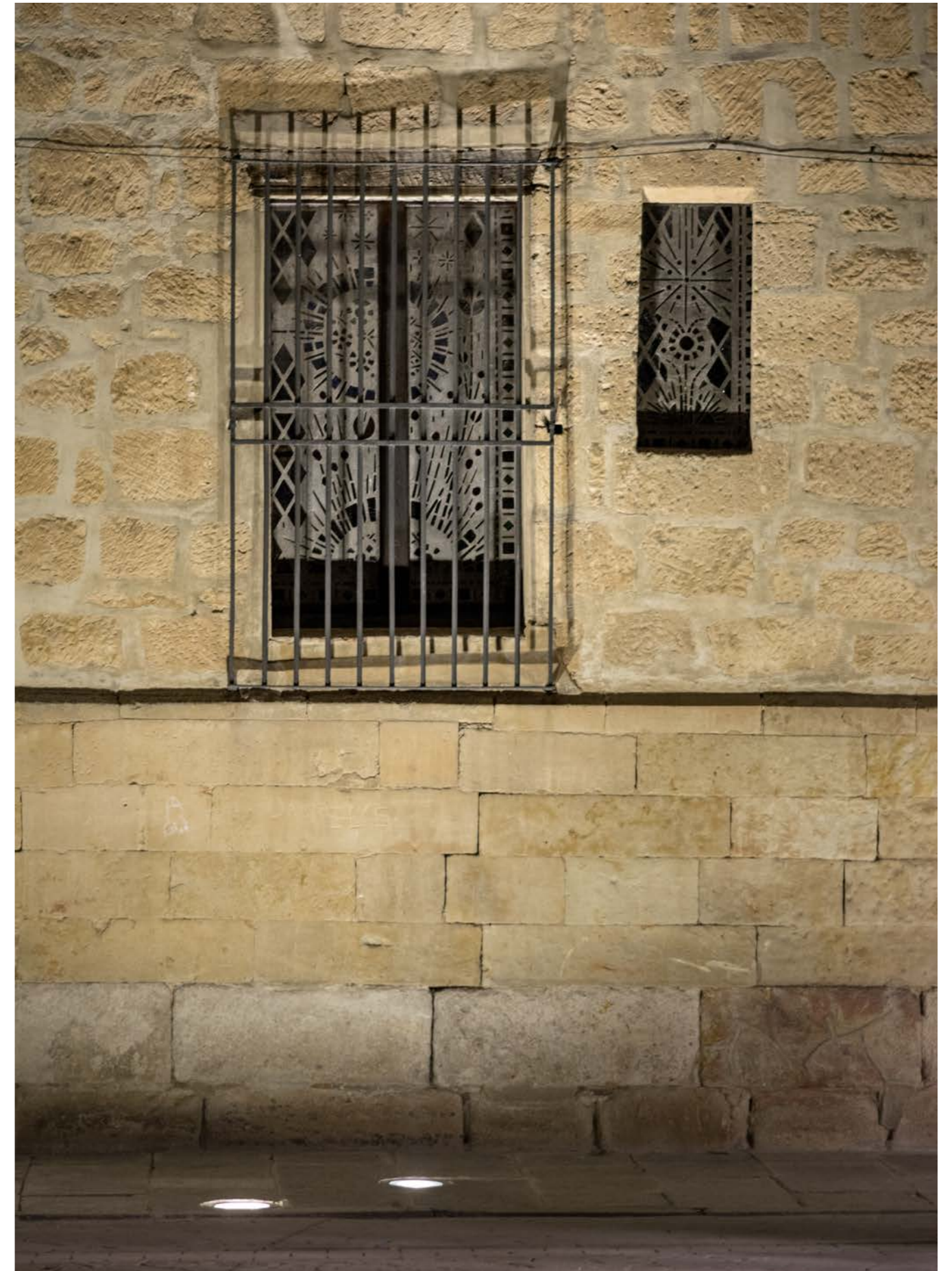
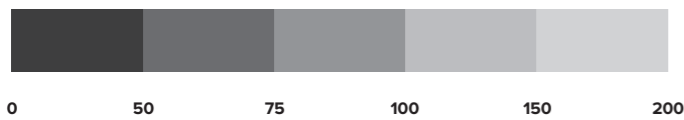
Wall Washer
1:5 ratio



Mini Wall Washer
1:6 ratio



Illuminance [lx]



Photographer ©Cristina Mottila

How to Complete Keplero and Keplero Mini



Keplero shown with round Bronze trim ring and anti-slip glass.

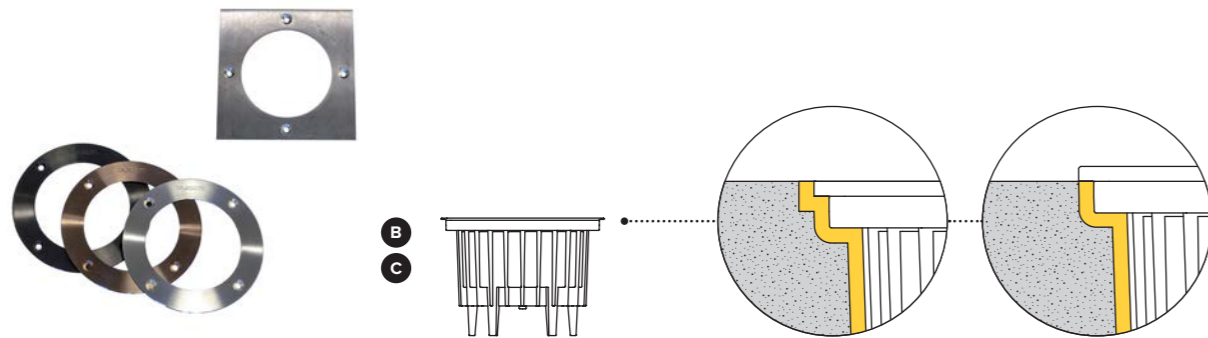


Keplero Mini shown with 36in raised installation sleeve.

Keplero offers a wide choice of finishing and installation solutions. The Keplero Ø11in and Keplero Mini Ø6in versions must be completed with an installation sleeve and a round trim ring with optional anti-slip or half frosted glass available. Optional square trim ring available for Keplero Mini.

Keplero rings are made of stainless steel (AISI 316L) and are available in natural Stainless Steel, Bronze, or Black finishes, with PVD treatment - to best suit the architectural project.

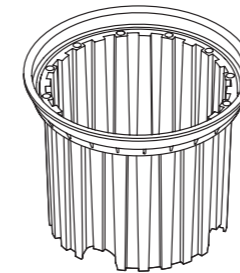
All the rings can be installed flush or semi-flush by simply removing the insertion collar from the PVC installation sleeve.



A
Keplero
Ø11in

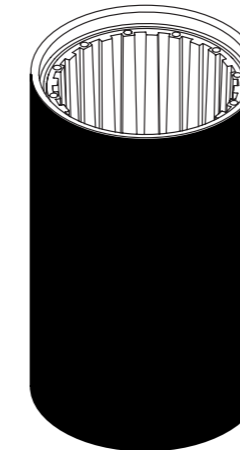


Sleeve



OR

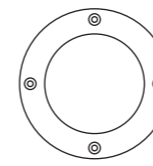
Raised Installation Sleeve



12 / 18 / 36in heights available



Stainless Steel Trim Ring



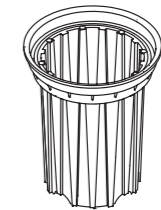
11in



B
Keplero Mini
Ø6in



Sleeve



OR

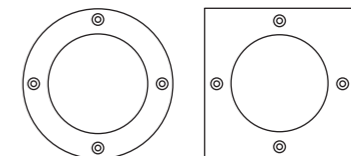
Raised Installation Sleeve



12 / 18 / 36in heights available



Stainless Steel Trim Ring



6.34in

6.50in

Square trim ring only available for recessed installation, not for use with raised tube.

Both the Keplero and Keplero Mini are available with an integrated electronic 4/1 dimming (Non-Dimming / 0-10V / Reverse Phase / Forward Phase) 120-277V driver. (Keplero Mini RGBW requires remote driver.)

KEPLERO (Ø11in - h. 8in)

 LED	 Source Lumens	 LED Power	 Power Supply	 Fixture Lumens	 Optics	 Color Temperature
--	--	--	---	---	---	--



Zoom						
LED	4550lm	33W	Integral Electronic 4/1 Driver	From 1666lm to 2889lm	SP – FL – MWFL – WFL	2700K / 3000K / 3500K / 4000K
LED RGBW	1402lm	49W	Integral Electronic 4/1 Driver	From 826lm to 1402lm	SP – FL – MWFL – WFL	Red / Green / Blue / 4000K



Gimbal						
LED	878lm	11W	Integral Electronic 4/1 Driver	718lm	NSP	3000K / 4000K
LED	878lm	11W	Integral Electronic 4/1 Driver	636lm	FL	3000K / 4000K
LED	878lm	11W	Integral Electronic 4/1 Driver	582lm	EL	3000K / 4000K



HP						
LED	2791lm	33W	Integral Electronic 4/1 Driver	2373lm	NSP	3000K / 4000K
LED	2791lm	33W	Integral Electronic 4/1 Driver	2205lm	SP	3000K / 4000K
LED	2791lm	33W	Integral Electronic 4/1 Driver	2149lm	FL	3000K / 4000K



Wall Washer						
LED	4550lm	33W	Integral Electronic 4/1 Driver	2318lm	WW	2700K / 3000K / 3500K / 4000K
LED RGBW	1091lm	49W	Integral Electronic 4/1 Driver	1091lm	WW	2700K / 3000K / 3500K / 4000K

KEPLERO Mini (Ø6in - h. 8in)

 LED	 Source Lumens	 LED Power	 Power Supply	 Fixture Lumens	 Optics	 Color Temperature
--	--	--	---	---	---	--



Zoom						
LED	1775lm	12W	Integral Electronic 4/1 Driver	From 615lm to 1127lm	SP – FL – MWFL – WFL	2700K / 3000K / 3500K / 4000K



Gimbal						
LED	768lm	8W	Integral Electronic 4/1 Driver	592lm	SP	3000K / 4000K
LED	768lm	8W	Integral Electronic 4/1 Driver	568lm	FL	3000K / 4000K



RGBW						
LED RGBW	941lm	20W	Remote DMX Driver	703lm	SP	Red / Green / Blue / 3000K
LED RGBW	941lm	20W	Remote DMX Driver	686lm	FL	Red / Green / Blue / 3000K
LED RGBW	941lm	20W	Remote DMX Driver	677lm	MWFL	Red / Green / Blue / 3000K



High Efficacy						
LED	1775lm	12W	Integral Electronic 4/1 Driver	1403lm	SP	2700K / 3000K / 3500K / 4000K
LED	1775lm	12W	Integral Electronic 4/1 Driver	1397lm	FL	2700K / 3000K / 3500K / 4000K
LED	1775lm	12W	Integral Electronic 4/1 Driver	1384lm	MWFL	2700K / 3000K / 3500K / 4000K



Wall Washer						
LED	1852lm	12W	Integral Electronic 4/1 Driver	933lm	WW	2700K / 3000K / 3500K / 4000K

The lumen output refers to LED 3000K.



Targetti USA

750-A W. 17th St.
Costa Mesa, CA 92627

Phone. (714) 513-1991

www.targetti.us

Customer Service
usaorders@targetti.com

Marketing
usamarketing@targetti.com