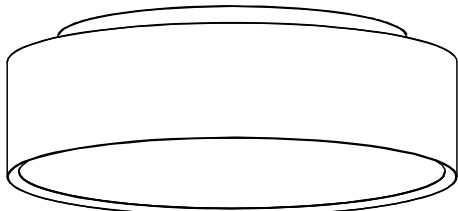




THREESIXTY

Recessed / Semi-Recessed

CODE: 360R-

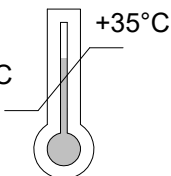


If in doubt about the symbols refer to catalog or website

120/277VAC
50/60Hz



-25°C



K 5 FB-B;

To ensure a maximum efficient use of the product, read the instructions before proceeding installation.



This fixture must be installed by a licensed and qualified electrician. The installer must comply with NEC and local building codes when installing the fixture



Electrical current can cause painful shock, serious injury, or even death. Make sure you turn off the power supply, ground fixture(s), and make sure all electrical connections are correct and secured



For use in IP40 installations.

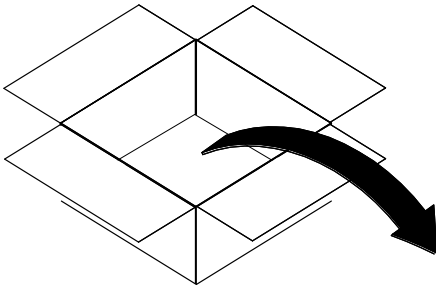


Keep the label of the original packaging if any eventual future claims are needed

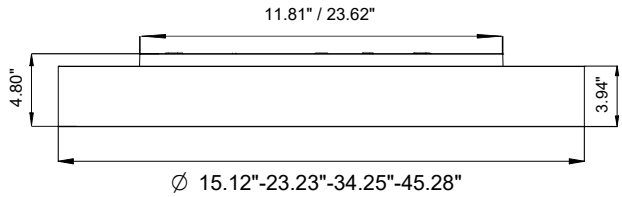
Table of Contents

Packaging Contents/ Dimensions / Fixture Weight	Pg.2
Plaster Ring Instructions	Pg.3
Fixture Mounting Types	Pg.4
Fixture Installation	Pg.5-6-7
Maintenance / Support	Pg.8

Packaging Contents / Dimensions / Fixture Weight

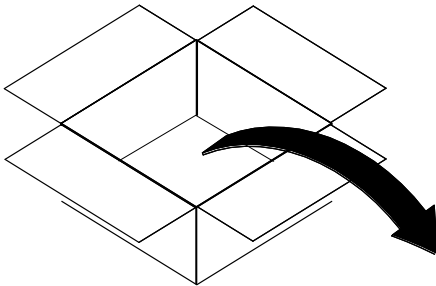


BOX 27-52"X27-52"X8"

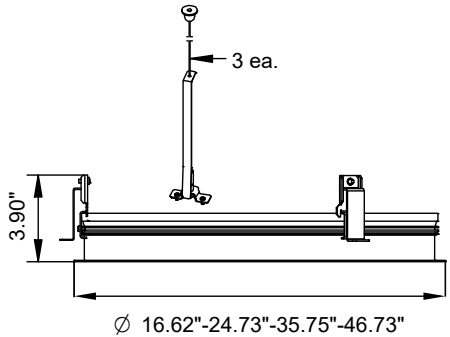


15.12"	34.25"
DOWN	DOWN
7.94 lbs	26.46 lbs
23.23"	45.28"
DOWN	DOWN
15.87 lbs	50.71 lbs

LED FIXTURE
1 ea.



BOX 27-52"X27-52"X10"



PLASTER RING
1 ea. (Sold separately / Required)

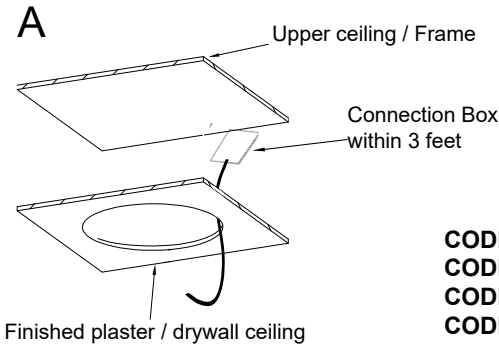
- CODE: 1US6291** — Recessed frame (15" version only)
- CODE: 1US6294** — Recessed frame (23" version only)
- CODE: 1US6297** — Recessed frame (34" version only)
- CODE: 1US6300** — Recessed frame (45" version only)

Plaster Ring Instructions

To install the adjustable frame (Plaster Ring), the installer must follow these steps.

Installer must be a qualified technician and comply with NEC and local building codes when mounting the plaster ring, suspension kits and LED fixture.

- A) Technician must cut a hole the size of the plaster ring in order to be able to insert this accessory flush into the finished ceiling.
- B) Once the hole has been precisely made on the desired location and the plaster ring has been inserted on the ceiling, attach the safety brackets onto the ring as shown on steps b2) and b3) and tighten.

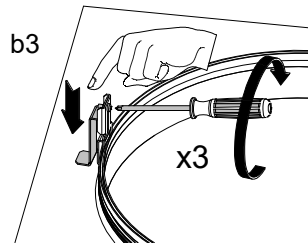
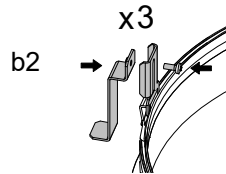
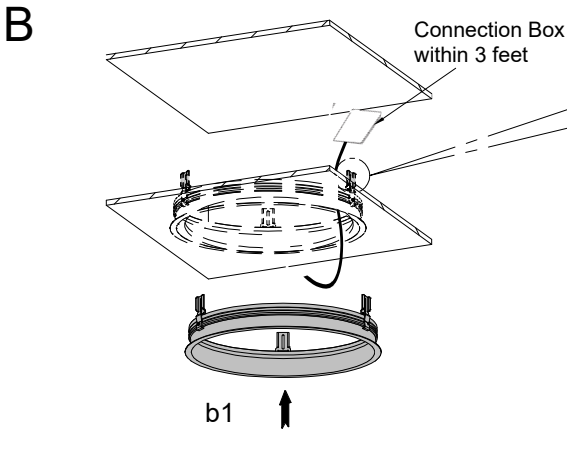


CODE: 1US6291 Hole size required -16.62" maximum

CODE: 1US6294 Hole size required -24.73" maximum

CODE: 1US6297 Hole size required -35.75" maximum

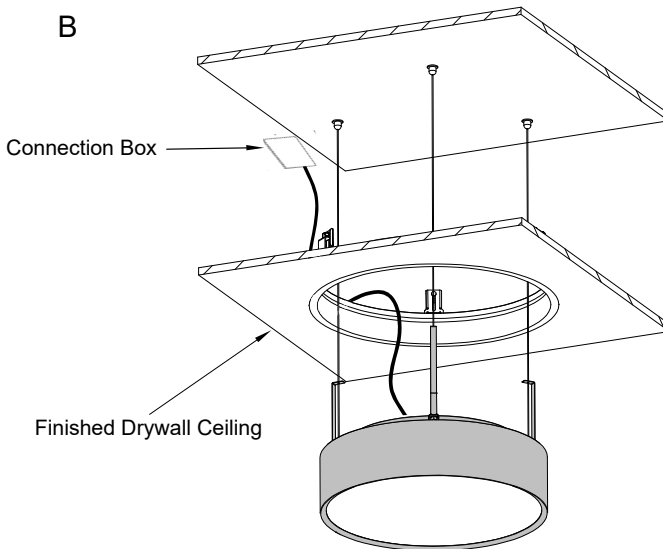
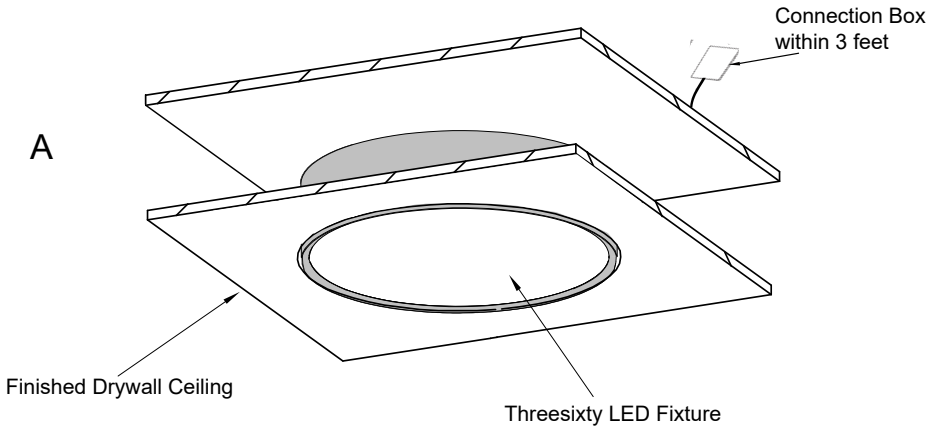
CODE: 1US6300 Hole size required -46.73" maximum



Fixture Mounting Types

The Threesixty LED Fixture can be mounted on a fix ceiling by creating a round shape overhead surface for a recessed or semi-recessed installation that will not require suspension kits, This must be made according to the size of the fixture ordered. Note that all fixtures have the same depth dimension. The Threesixty fixture can also be mounted suspended from a separate surface above the ceiling for recessed, or semi-recessed.

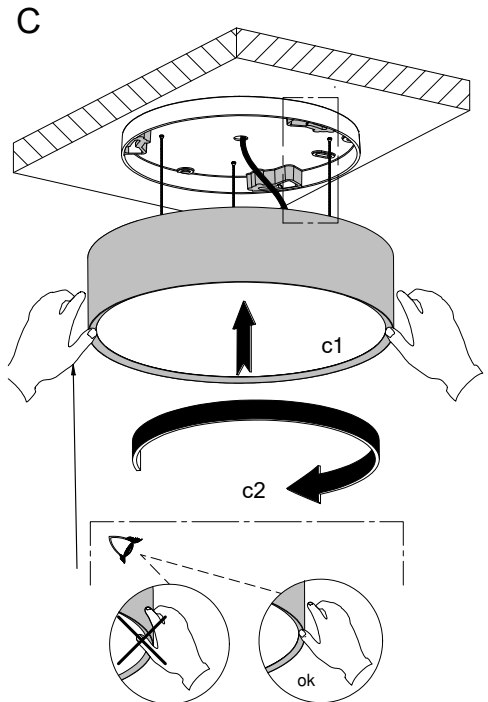
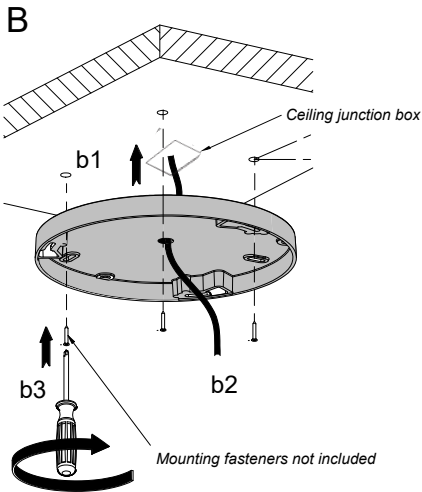
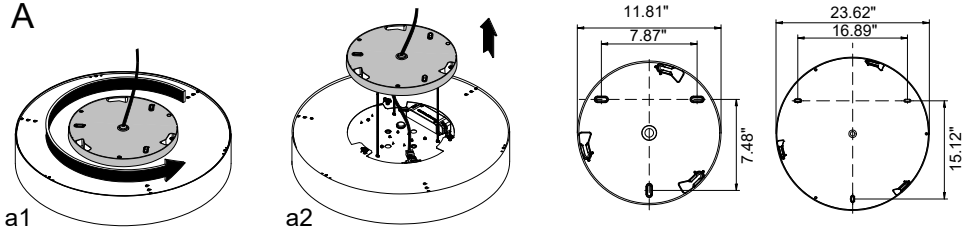
- A) Surface mount on modified ceiling using mounting bracket.
- B) Recessed and Semi-recessed using suspension kits.



Surface Mounting Instructions

The installer must follow these steps when mounting the Threesixty LED Fixture on a fix ceiling as surface mount for a recessed, or semi-recessed installation.

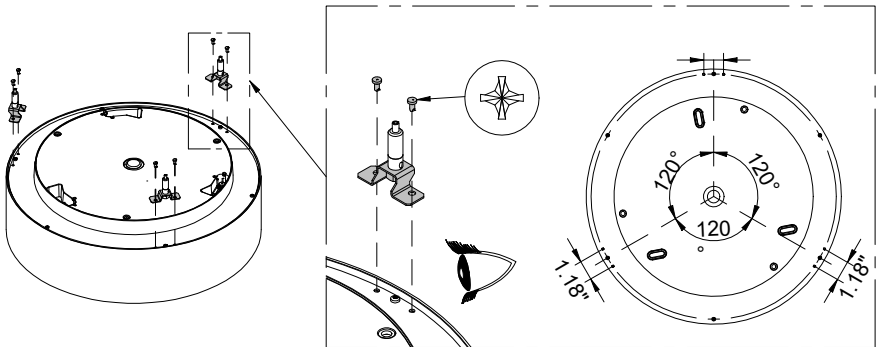
- A) Remove the mounting bracket and run the power cable through the center hole to the J-box.
- B) Install the mounting bracket onto the surface and secure.
- C) Insert safety cables on the metal plate within the mounting bracket and push the Threesixty fixture up into the mounting bracket and secure by pushing and rotating clock-wise.



Suspension Mounting Instructions

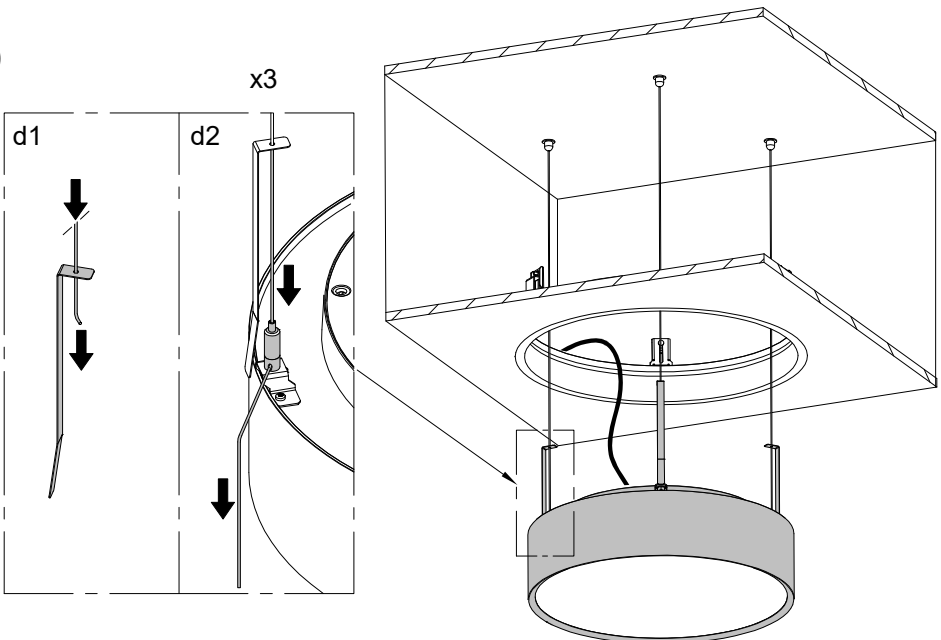
- C) The new surface/bracket above the ceiling will work as a mounting surface for the 3 suspension kits (provided with each Threesixty fixture) that will hold the Threesixty fixture in place. continue to fasten the 3 cylinder brackets on designated areas on the fixture as shown below and tighten.
- D) After the suspension kits have been installed on the correct location, it is time to install the Threesixty LED fixture in, simply take the end of each stainless cable cord and pass them through the locking bracket and cylinder on the fixture upper side to bring it in to desired position. Installer must be aware of proper installation either recessed or semi-recessed and conclude the installation using a level and by regulating the suspension to the desired height.

C



- 4 -

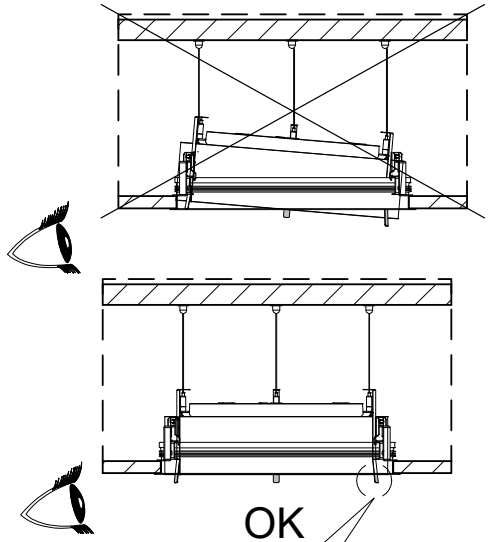
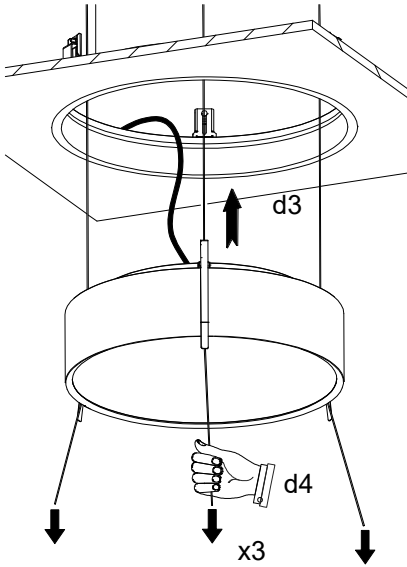
D



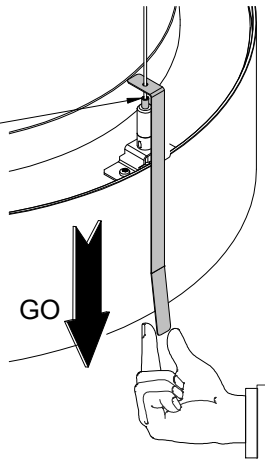
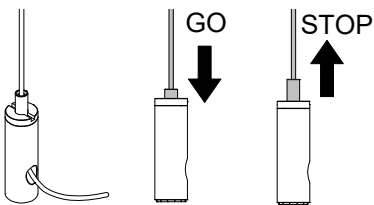
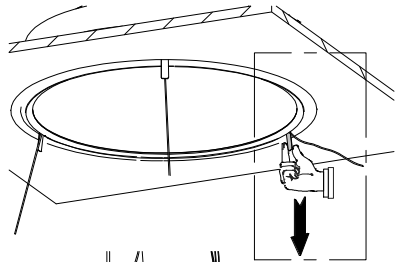
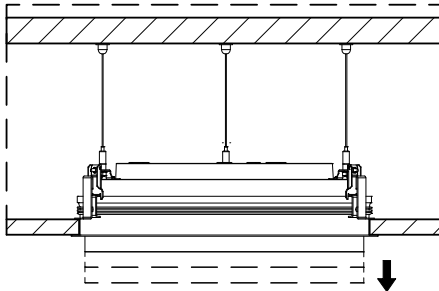
Pg.6

Suspension Mounting Instructions (cont.)

D



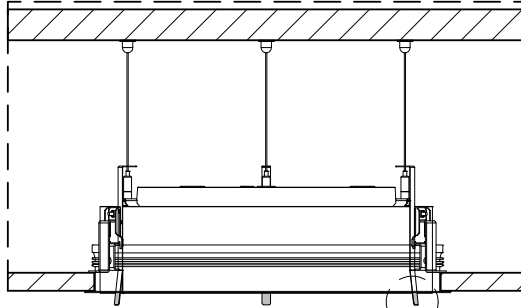
REGULATION



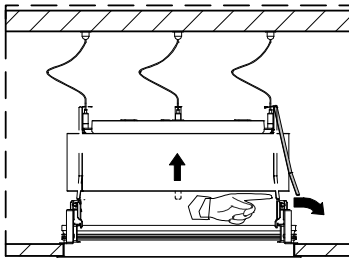
Suspension Mounting Instructions (cont.)

E) After the fixture was installed at the proper height, installers now must hide the locking brackets and the excess of suspension cable by pushing the fixture upwards and placing the cable and brackets above the finished ceiling as shown on images below. (2 or more persons required for this task)
Lastly, the cover must be install in place for completion.

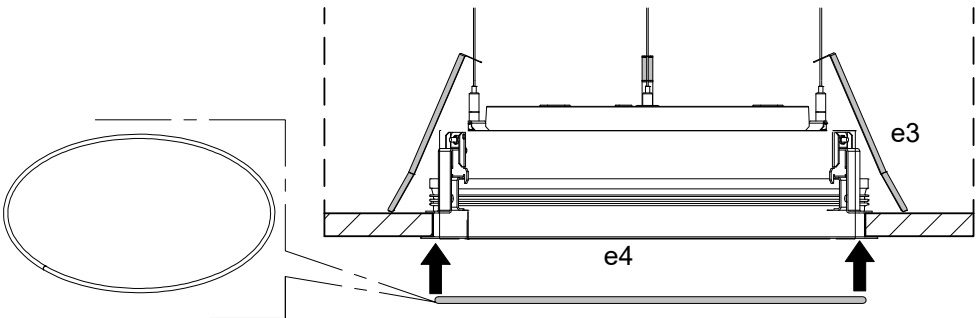
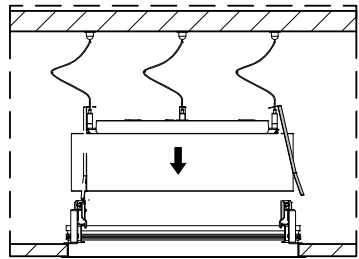
E



e1



e2



Maintenance

This fixture was designed and manufactured for a durable, long lasting use with minimum care. To ensure the maximum lifespan of this product, we encourage our customers to provide a quality visual inspection of the fixture every six months.

If there are any visible signs of issues (i.e moisture or dust) during the inspection, please clean any of the dust or moisture with a soft cloth and check to make sure that any of the fixtures are still operating normally. If there are any issues regarding the fixture please contact us as we will assist the situation at hand.

Support

Any questions, problems, or comments you have please feel free to contact our Customer Service department during our business hours Monday-Friday 8am-5pm via: Email: usaorders@targetti.com
Phone: (714) 513-1991

Visit our website: <http://www.targettiusa.com>