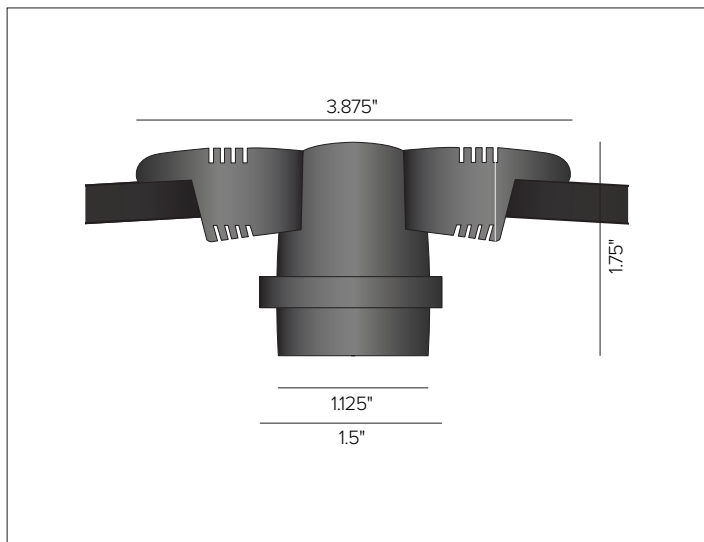


DURALED™ CABLE

Line Voltage Cable Strand



CONCEPT

Cable strand perfect for festoon mounting and garden lighting, taught or swayed.

MECHANICAL CHARACTERISTICS

Materials	Injection molded weather proof PVC.	
Power Connection	Provided with one Male 2 prong 120V AC plug with 5ft lead and one female 2 hole 120V AC socket with 2ft end per spool. Junction Box or GFI installation only.	
Length	48ft spool	
	48 sockets @ 12" O.C.	24 sockets @ 24" O.C.
Mounting	String or attach to aircraft cable.	
Protection	IP65 for downward mounting. IP44 for outward or upward mounting.	
Weight	E26 Medium Base	GU10 Base
	12" O.C. = 0.19Lbs/ft	12" O.C. = 0.21Lbs/ft
	24" O.C. = 0.15Lbs/ft	24" O.C. = 0.16Lbs/ft

CERTIFICATIONS

Energy efficient for California installations
 cETLus Listed
 RoHS3 EU 215/863
 ^Dark Sky Compliant when using Decorative Shade accessory and [DURALED™ STARGAZER](#) lamp.

WARRANTY

5 year limited warranty

ELECTRICAL CHARACTERISTICS

Base	E26 or GU10 For use with DURALED STARGAZER or DECOLED TECNO VINTAGE lamp ranges.
Wattage	5W max per socket. 1,100W Max per continuous interconnected spools.
Voltage	120V AC 60Hz

DURALED™ CABLE

SPECIFICATION INFORMATION

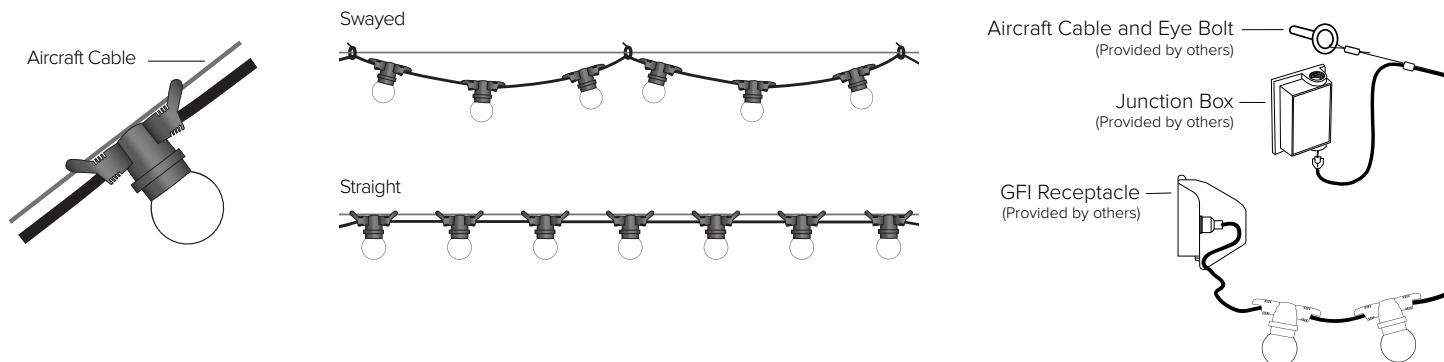


1 - PRODUCT CODE	2 - TYPE	3 - BASE	4 - SPACING	5 - FINISH	6 - LAMP
DLD — DURALED™	CL — Cable Light	MD — E26 Medium GU — GU10	12 — 12" O.C. 24 — 24" O.C.	BK — Black	DuraLED Stargazer DuraLED Tecno Vintage G25 DuraLED Tecno Vintage ST21 DuraLED Tecno Vintage A60 DuraLED Tecno Vintage G30 Mirror
7 - MOUNTING	8 - DECORATIVE				
Aircraft Cable See section for details Spiral cable wrap See section for details	Decorative Shade See section for details				

Lead time for quick ship fixtures is 1 week from processed PO date.

QSDLDCLMD12BK + LAMP
 QSDLDCLMD24BK + LAMP
 QSDLDCLGU12BK + LAMP
 QSDLDCLGU24BK + LAMP

INSTALLATION EXAMPLES



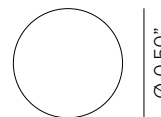
DURALED™ CABLE

7 - MOUNTING (OPTIONAL)



Stainless steel aircraft cable, available per foot. **Recommended 1/16" aircraft cable for wall to wall installation configurations, 3/32" aircraft cable for pole to pole installation configurations.**

<i>Load</i>	1/16" Dia., up to 70Lbs load	3/32" Dia., up to 150Lbs load
<i>Weight</i>	1/16" SS Cable 0.0085 lbs/ft	3/32" SS Cable 0.02 lbs/ft
<i>Part No.</i>	DLCLAC1/16SS	DLCLAC3/32SS



Spiral cable wrap, available per foot. **To be used with aircraft cable to encase aircraft cable and DURALED CABLE for a clean one wire look. 1.5ft of wrap needed to span evenly per 1ft of cable.**

<i>Finish</i>	● Black
<i>Part No.</i>	DLDSLWRAP

8- DECORATIVE (OPTIONAL)



Black PVD Shown



Ø 4.50"
Stainless Steel Shown

Decorative shade accessory.
Weight: 1.6 oz.

<i>Finish</i>	● Stainless Steel	● Bronze PVD*	● Black PVD*
*Physical Vapor Deposition			

<i>Part No.</i>	DLCLSHADESS	DLCLSHADEBZ	DLCLSHADESBK
-----------------	--------------------	--------------------	---------------------