

# DURA

## LAMP

# INSTALLATION INSTRUCTIONS

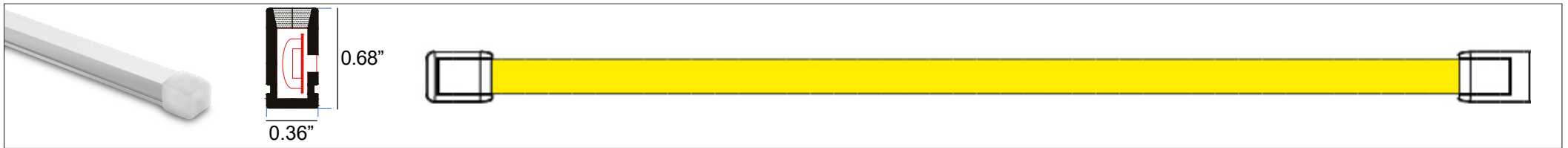
**DURAFLEX ARCH SIDE BEND**  
**IP66 Outdoor 24VDC 2.8W/4.2W per ft**

**CODE: DFASB-**

24V DC	Ra>95	50000h Life span	IP65
-----------	-------	---------------------	------

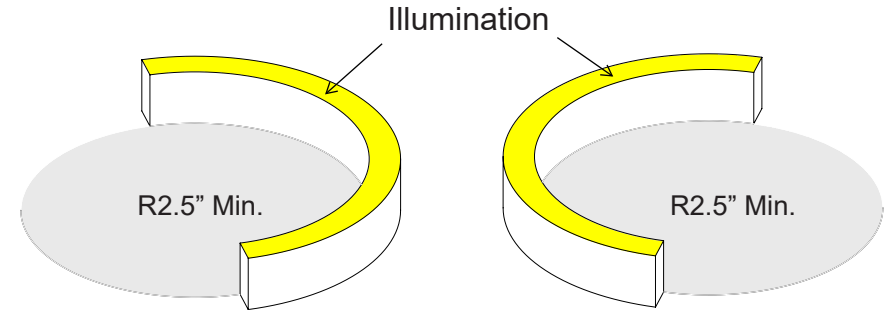
**\*\*USE PROPER UL LISTED CONNECTORS  
 DEPENDING ON THE ENVIROMENT\*\***

**WARNING**  
 CONSTANT VOLTAGE 24VDC 96W MAX  
 Use only with Class 2 power unit Suitable  
 for Wet Locations

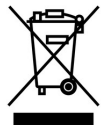
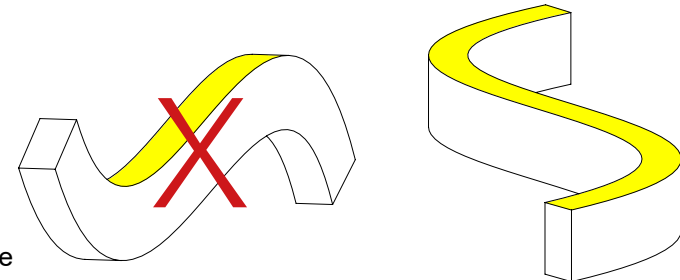


## IMPORTANT SAFETY INSTRUCTIONS

- Read all instructions.
- Do not conceal or extend exposed conductors through a building wall.
- For low voltage exposed insulated conductor systems, do not install any part of this system less than 7 feet (2.2 m) above the floor (unless installed with Duralamp supplied channel).
- To reduce the risk of fire and burns, do not install this lighting system where the exposed bare conductors can be shorted or contact any conductive materials.
- To reduce the risk of fire and overheating, make sure all connections are tight.
- Do not install any luminaire closer than 6 inches (15.25 cm) from any curtain, or similar combustible materials.
- Turn off electrical power before modifying the lighting system in any way.



Minimum Bend Radius



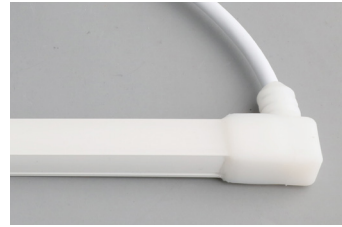
If in doubt about the symbols please refer to catalog or website

# REQUIRED END PREPS



**KT10UVL1**

SIDE Flex straight end feed.



**KT10UVL2L (Left)  
KT10UVL2R (Right)**

SIDE Flex side feed.

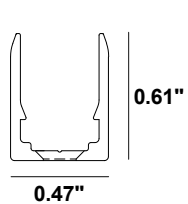


**KT10UVL3**

SIDE Flex bottom feed.

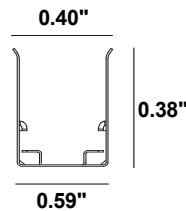
## Mounting Accessory Options

Identify mounting accessory specified before installation begins.  
See images below.



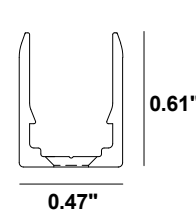
**KT10UVP1**

SIDE Flex 1pcs of aluminum channel length 38in and 2pcs of screws (termination end prep rest outside of the channel).



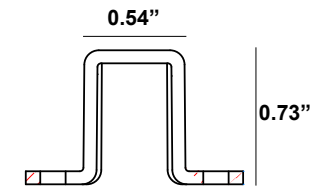
**KTUVFP2**

SIDE Flexible stamped stainless steel profile secured with screws, 1ea screw provided per foot. Available in 1ft lengths.



**KT10UVC1**

SIDE Flex Bottom fixing clips. Includes 5 clips and 5 screws.



**KT10UVS1**

SIDE Flex Transparent clips kit. Includes 5 clips and 10 screws.

# MOUNTING INSTALLATION

## Tape Installation

The recommended adhesive for attachment of our Channel to the stone work is to use a weatherproof Substructural Adhesive. For example, Liquid Nails or PL400 or both very good for adhesion to concrete and stone and also the polycarbonate and aluminum mounting channels that we supply. The channel should be secured into position with a full coverage of the adhesive using blocks inserted into the gap width to allow the adhesive to cure for a minimum of 24 hours.

The Duraflex can be attached directly to the channel, but it is necessary to be sure that the channel surface is clean from dust and debris before attaching.

The Duraflex product does have a 3M double sided tape, but we find that it is best to also use a thin bead weatherproof silicone added to the edges and ends when attaching. Again the use of blocks or sticks to secure the Duratape in position onto the channel should be done with 24 hours to cure before removing.

It is recommended that the Duraflex is all test powered in position before attaching to be sure that no damage has occurred that will be difficult to repair once the product has cured into the channel.

## Channel Installation

All clips and channels must be installed by a qualified worker that will mount the product compliant to local building code.

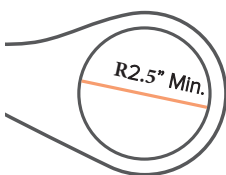
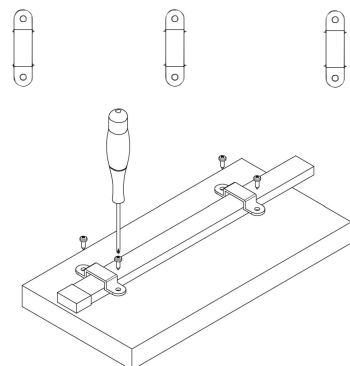
Installer will first locate the area of installation and secure the clip onto the mounting surface with the correct mounting screw based on mounting surface. Be sure before securing to align the clips in a straight line before securing the clips on the mounting surface.

Channel Profiles should be cut and mitred if necessary in the field to create a precision cut applicable to the projects requirements.

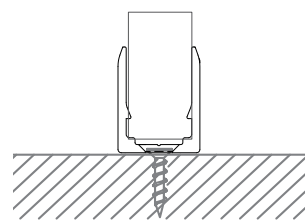
Once the mounting clip is aligned and secured on the mounting surface and channels are finish cut to length, the channel clips onto the mounting clip thus securing the channel into place.

For mounting a flexible profile, be sure that the profile complies with the minimum curve radius before installing. Once mounted, test the Duraflex inside mounted profile to ensure no damage of the LEDs inside during installation.

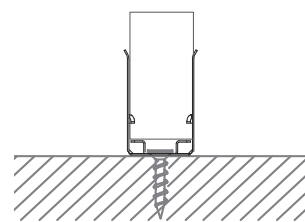
Adhesive and clip



Duraflex product can be installed to curve around laterally. Minimum lateral curve radius is 2.5 inches.



KT10UVC1 (clip) and KT10UVP1 (profile) mounted with mounting screw

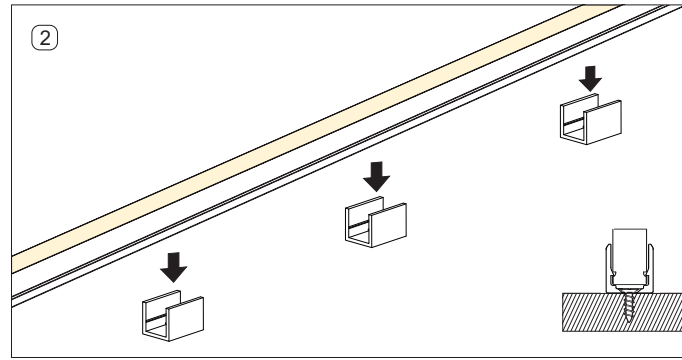
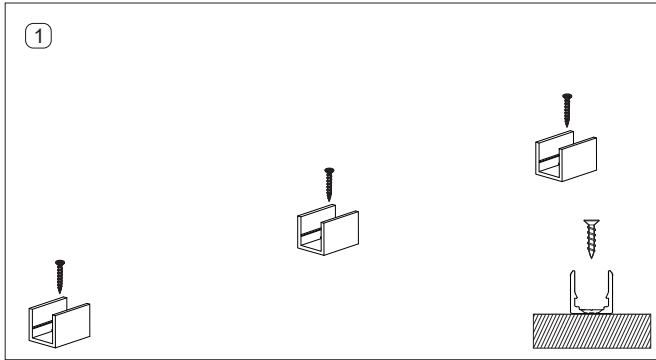


KTUVFP2 (flex profile) mounted with mounting screw

# CLIPS INSTALLATION INSTRUCTIONS

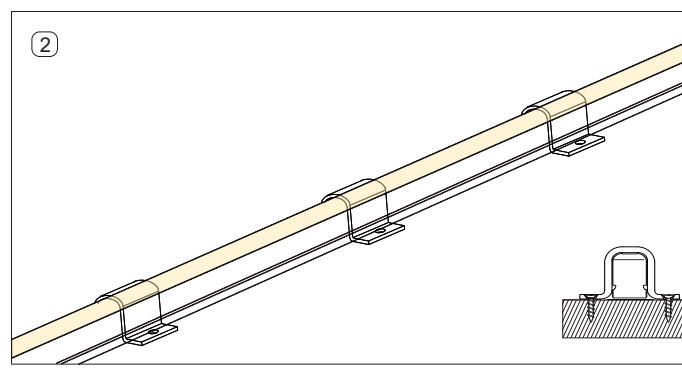
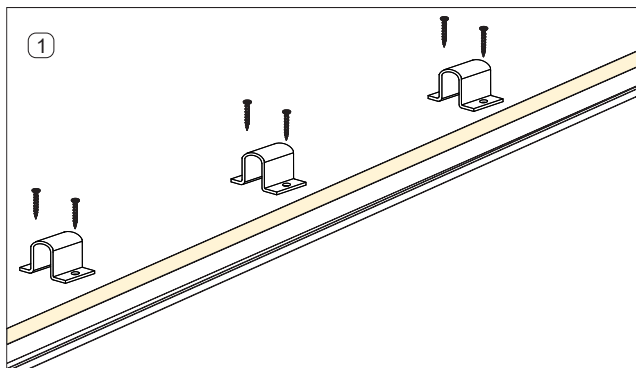
## Insert Mounting Clips

All mounting clips must be installed by a qualified installer. The installer must comply with NEC and local building codes when installing this fixture. If white mounting clips with code: KT10UVC1 have been specified, the installer must first install the clips on the designated area based on specification. These clips are to be screwed in using proper screws based on mounting surface. Installer must align all clips and secure them before inserting the LED fixture in. See images for below reference.



## Mounting Clips Over Fixture

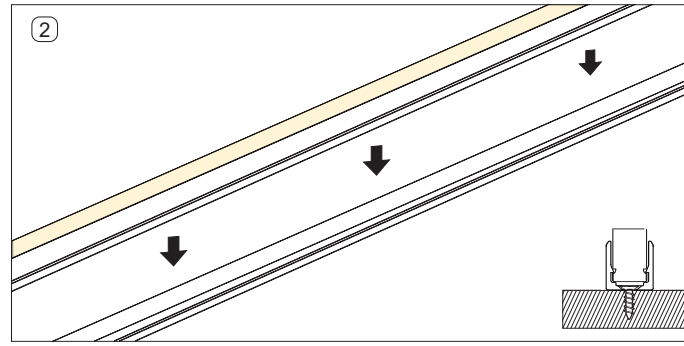
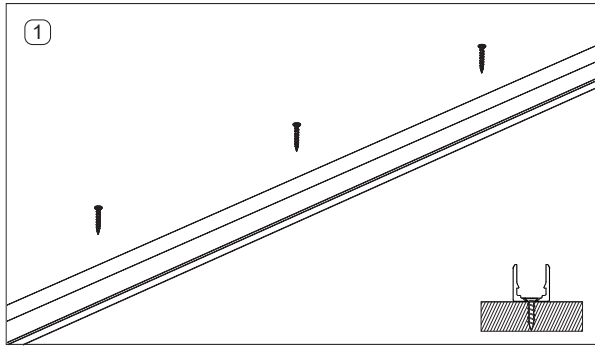
All mounting clips must be installed by a qualified installer. The installer must comply with NEC and local building codes when installing this fixture. If clear mounting clips with code: KT10UVS1 have been specified, the installer must first lay out the LED fixture and then install the clips over and secure them with 1 screw on each side. These clips are to be screwed in using the proper screws based on mounting surface. See images for below reference.



# CHANNEL INSTALLATION INSTRUCTIONS

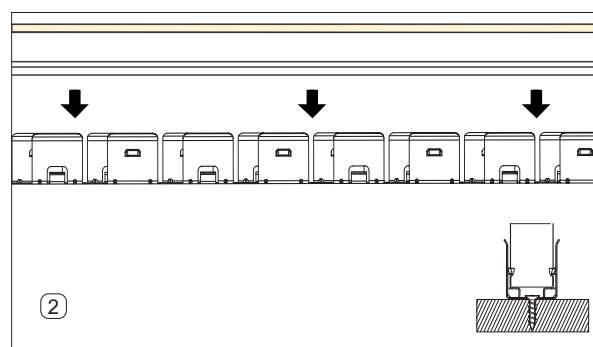
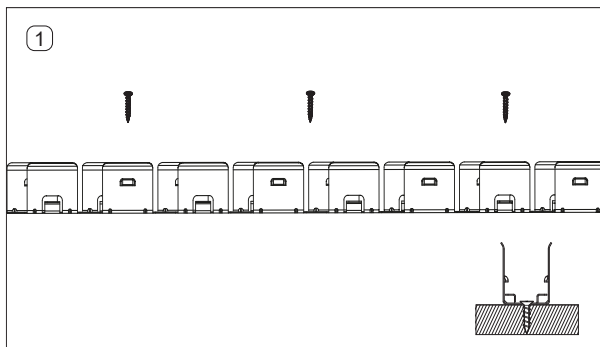
## Aluminum Mounting Channel

All mounting channels must be installed by a qualified installer. The installer must comply with NEC and local building codes when installing this fixture. If aluminum mounting channel with code: KT10UVP1 has been specified, the installer must first install the mounting channel on the designated area based on specification. These channels are to be screwed in using the proper screws based on mounting surface. Installer must align all aluminum channels and secure them before inserting the LED fixture in. See images below for reference.



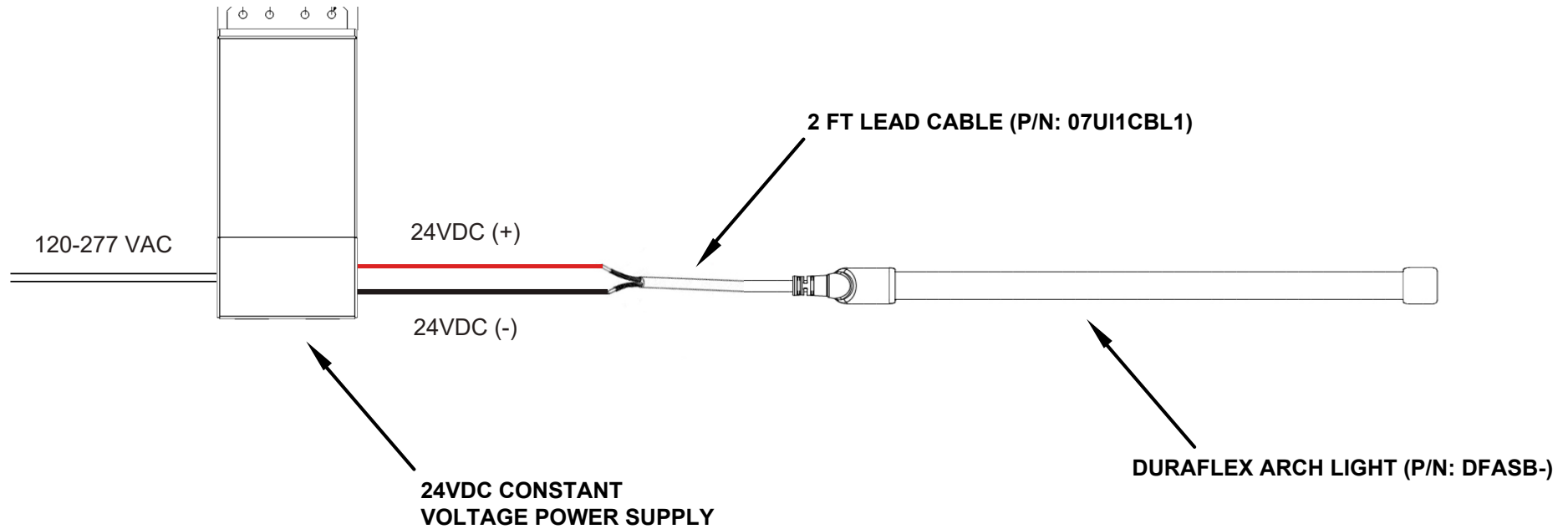
## Stainless Steel Flexible Mounting Channel

This flexible channel must be installed by a qualified installer. The installer must comply with NEC and local building codes when installing this fixture. If stainless steel flexible channel with code: KTUVFP2 has been specified, the installer must first lay out the channel at the specified shape and then install the LED fixture in and secure the fixture by pressing down into the flexible channel. This channel is to be screwed in using the proper screws based on mounting surface. See image for below reference.



# WIRING DIAGRAM

Duralamp offers a number of driver options that can be found on the product specification guides. Review complete selection to determine which Driver best suits the project power circuit and dimming requirements.



## MAXIMUM INTERCONNECTED TAPE LENGTH PER DRIVER

Fixture Wattage	Driver Wattage							
	40W	60W	96W	90W	2X90W	3X90W	100W	2X100
2.8W/ft	11FT	17FT	27FT	25FT	(2) 25FT	(3) 25FT	28FT	(2) 28FT
4.2W/ft	7FT	11FT	18FT	17FT	(2) 17FT	(3) 17FT	19FT	(2) 19FT

## Maintenance

This fixture was designed and manufactured for a durable, long lasting use with minimum care. To ensure the maximum lifespan of this product, we encourage our customers to provide a quality visual inspection of the fixture and installation accessories every six months. If there are any visible signs of issues (i.e moisture or dust) during the inspection, please clean any of the dust or moisture with a soft cloth and check to make sure that all fixtures are still operating normally. If there are any issues regarding the fixture please contact us as we will assist the situation at hand.

---

## Support

Any questions, problems, or comments you have please feel free to contact our Customer Service department during our business hours Monday-Friday 8am-5pm via: Email: [usaorders@targetti.com](mailto:usaorders@targetti.com)  
Phone: (714) 513-1991

Visit our website: <http://www.targettiusa.com>