

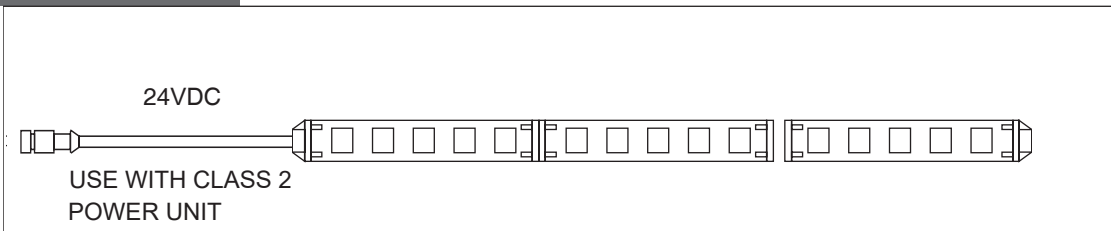
**DURAFLEX OPTICS**  
**IP66 Outdoor 24VDC 6.0W/ft**

**CODE: DFO060-**

|           |       |               |      |
|-----------|-------|---------------|------|
| 24V<br>DC | Ra>90 | 30000h<br>L70 | IP66 |
|-----------|-------|---------------|------|

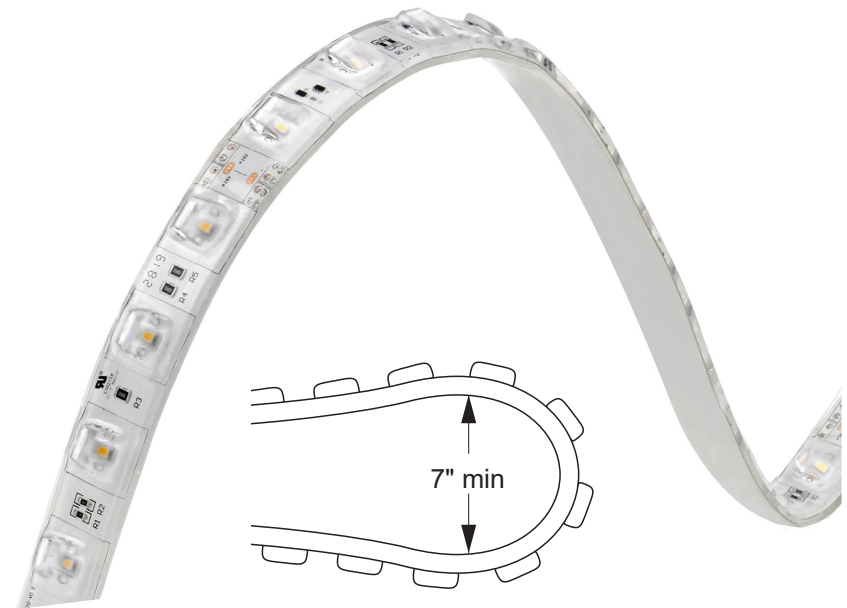
**WARNING**  
**CONSTANT VOLTAGE 24VDC 96W MAX**  
 Use only with Class 2 power unit Suitable  
 for under-cabinet mounting Suitable for  
 Wet Locations

### Wiring Diagram



## IMPORTANT SAFETY INSTRUCTIONS

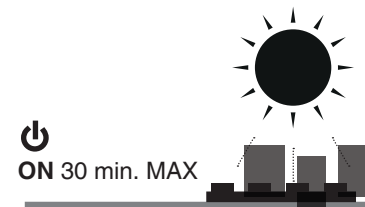
- Read all instructions.
- Do not conceal or extend exposed conductors through a building wall.
- For low voltage exposed insulated conductor systems, do not install any part of this system less than 7 feet (2.2 m) above the floor (unless installed with Duralamp supplied channel).
- To reduce the risk of fire and burns, do not install this lighting system where the exposed bare conductors can be shorted or contact any conductive materials.
- To reduce the risk of fire and overheating, make sure all connections are tight.
- Do not install any luminaire closer than 6 inches (15.25 cm) from any curtain, or similar combustible materials.
- Turn off electrical power before modifying the lighting system in any way.



Exposure to sunlight max 30 minutes after sunrise or before sunset.

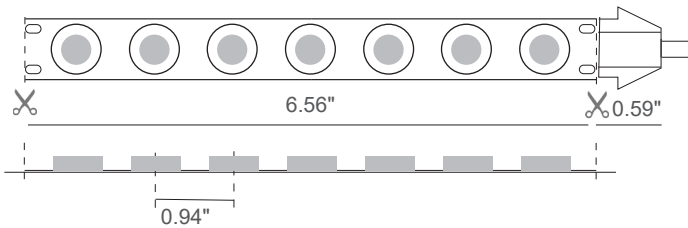


If in doubt about the symbols please refer to catalog or website



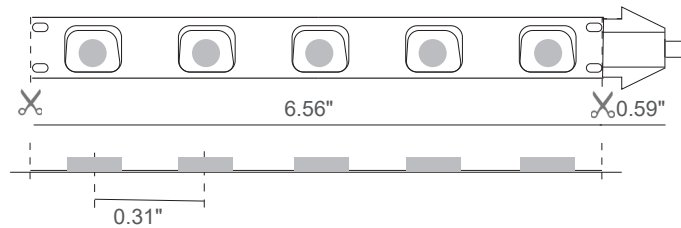
## DURAFLEX OPTICS GRAZER

LED SPACING AND PITCH CUT 7 LED

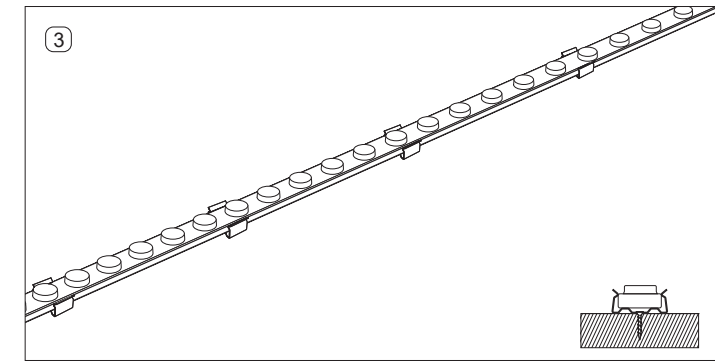
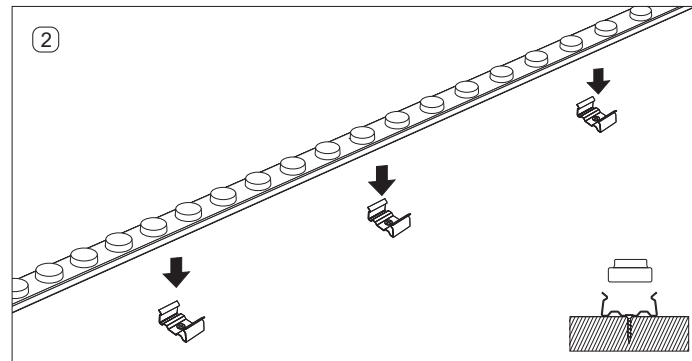
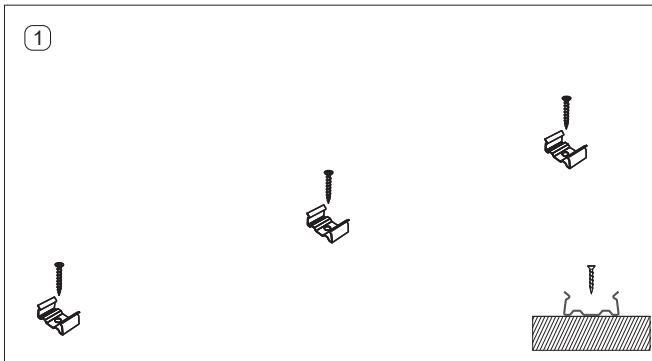


## DURAFLEX OPTICS WALL WASHER

LED SPACING AND PITCH CUT 5 LED



THIS MUST BE INSTALLED BY A QUALIFIED ELECTRICIAN. DURALAMP IS NOT RESPONSIBLE IF ITS FIXTURES ARE NOT INSTALLED ACCORDING TO LOCAL SAFETY STANDARDS. METHOD OF ATTACHMENT OF THE CABLE OR CORD SHOULD NOT BE SUCH THAT IT CANNOT BE REPLACED WITHOUT BREACKING OR DESTROYING THR LUMINAIRE. PLEASE LEAVE A COPY OF THESE INSTALLATION INSTRUCTIONS TO THE PERON RESPONSIBLE FOR THE MAINTENANCE AND INSTALLATION.



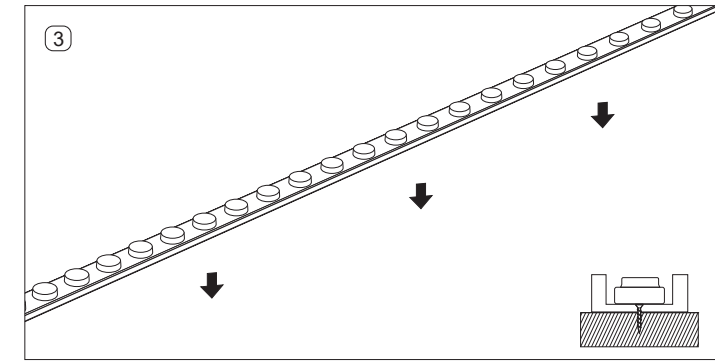
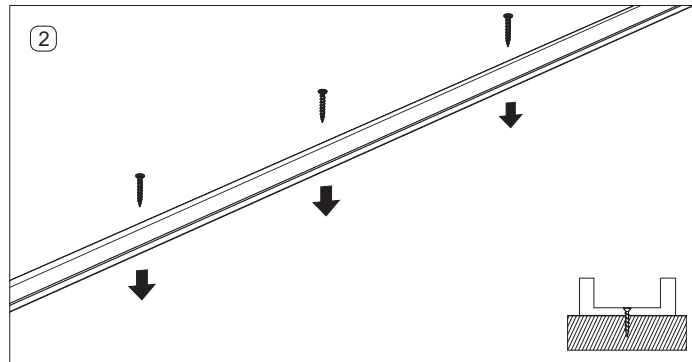
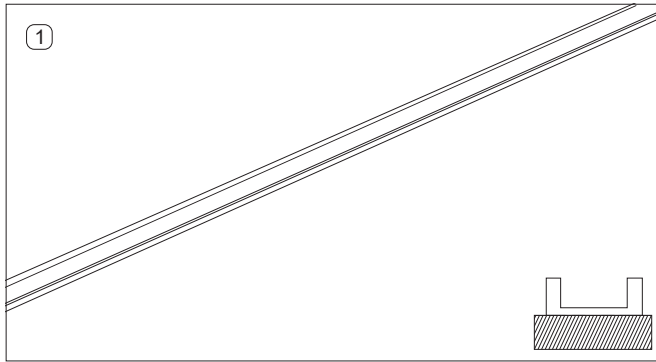
## Clips Installation

All mounting clips must be installed by a qualified worker that will mount the product compliant to local building code.

Installer will first locate the area of installation and secure the clip onto the mounting surface with the correct mounting screws based on mounting surface. Be sure before securing to the clips in a straight line before securing the clips on the mounting surface.

For mounting in arced configurations it is best to lay the fixture in position to determine placement of the mounting clips.

Once the mounting clips are aligned and secured on the mounting surface the LED Duraflex Optics fixture can be placed onto position. the fixture snaps on the clips and secure.



## Aluminum Profile Installation

All aluminum profiles must be installed by a qualified worker that will mount the product compliant to local building code.

Installer will first locate the area of installation and secure the profiles onto the mounting surface with the correct mounting screws based on mounting surface. Be sure before securing to align the profiles in a straight line before installing the LED Duraflex Optics fixture.

Aluminum Profiles should be measured and cut if necessary in the field to create a precision cut applicable to the projects requirements.

Once the mounting profiles are finished and cut to length, the LED Duraflex Optics fixture can be glued into position using double sided tape on the LED fixture.

## Fixture Installation

The Duraflex Optics can be attached directly to the channel, but it is necessary to be sure that the channel surface is clean from dust and debris before attaching.

It is recommended that the Duraflex Optics is all test powered in position before attaching to be sure that no damage has occurred that will be difficult to repair once the product has cured into the channel.

**Do not electrify if the strip is inside the package!**