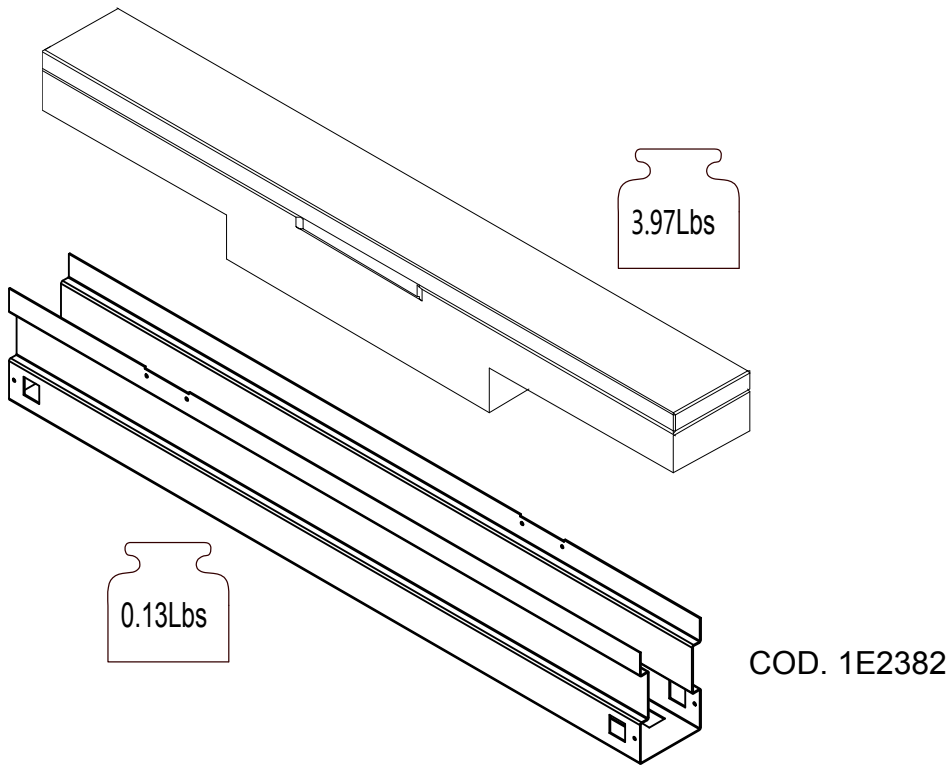


TARGETTI

MINI MERCURE



DRAINING MATERIAL

ATTENTION!

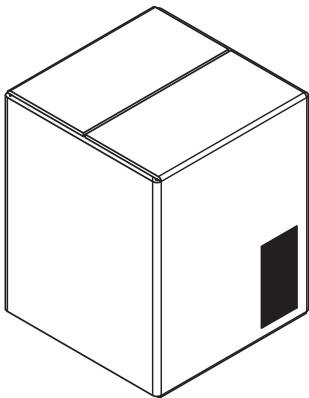
THE INSTALLATION OF THE INSERTION BOX SHOULD PROVIDE FOR A SUITABLE DRAINAGE SYSTEM. SIMULATING THE FILLING OF THE INSERTION BOX WITH WATER, THIS SHOULD EMPTY WITHIN A MAXIMUM OF 30 MINUTES. IN CASE SOME GRAVEL IS USED, WE SUGGEST TO SPREAD A LAYER 11.8" THICK AT LEAST. IF NOT POSSIBLE PROVIDE A DRAINAGE PIPE IN CORRESPONDENCE OF EXPECTED RECTANGULAR SLOT, FOR THE WATER EVACUATION



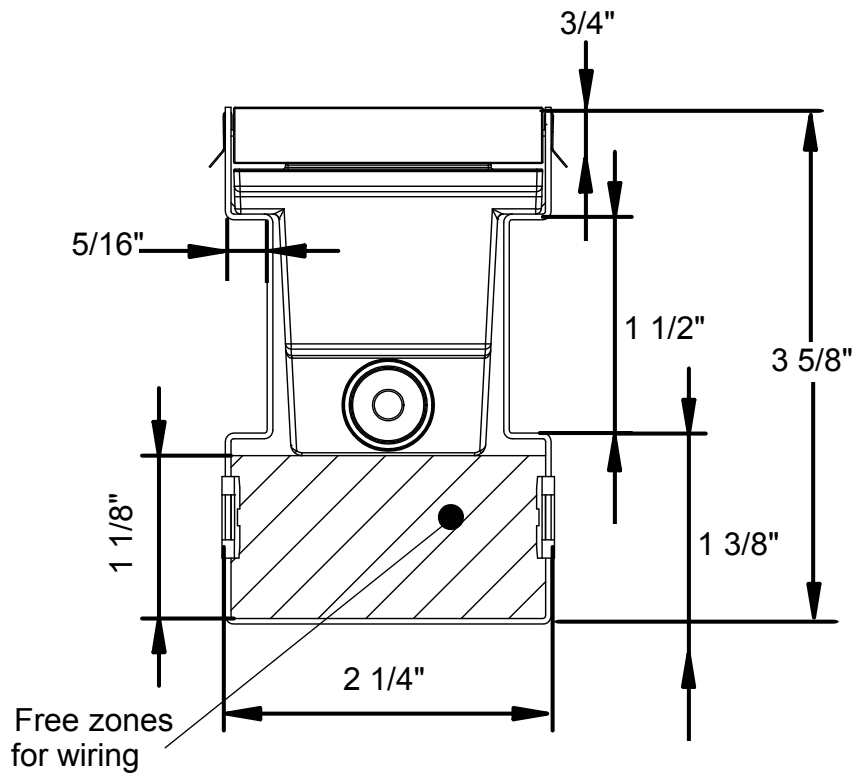
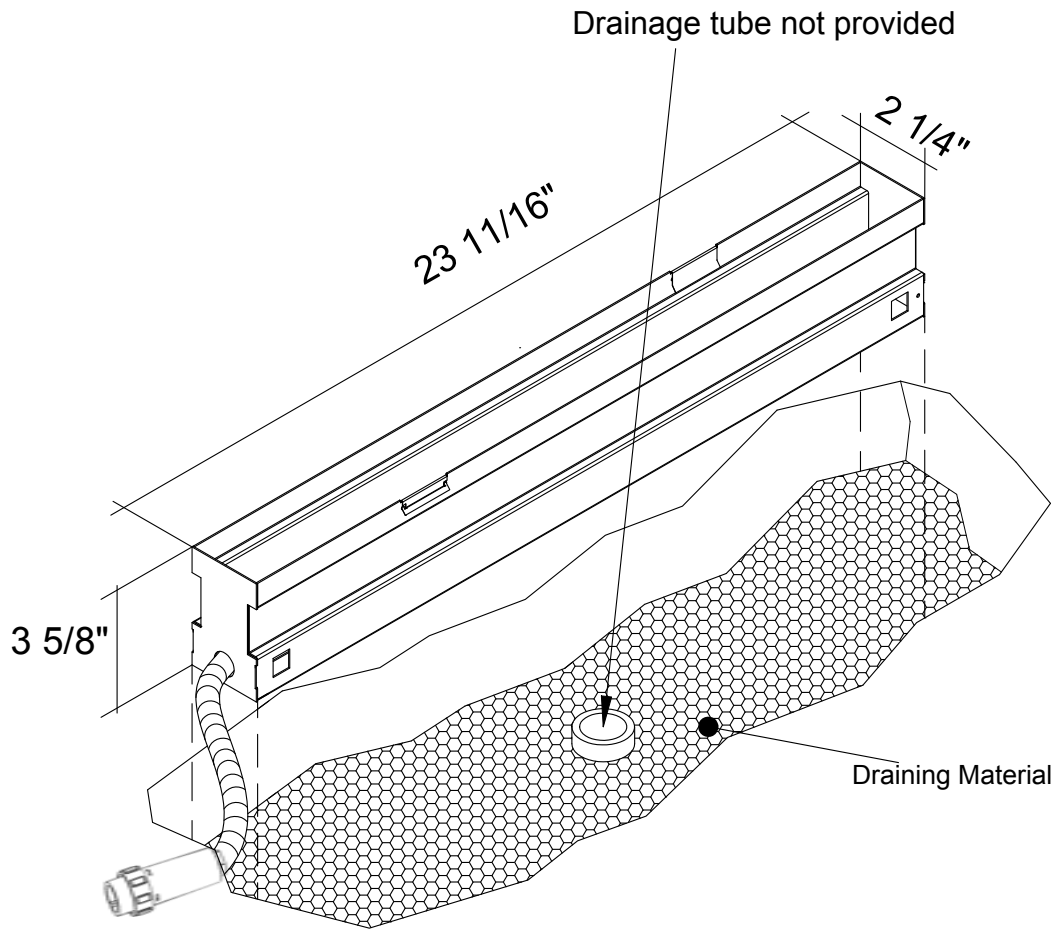
Please leave a copy of these instructions to the person responsible for the maintenance of the installation.

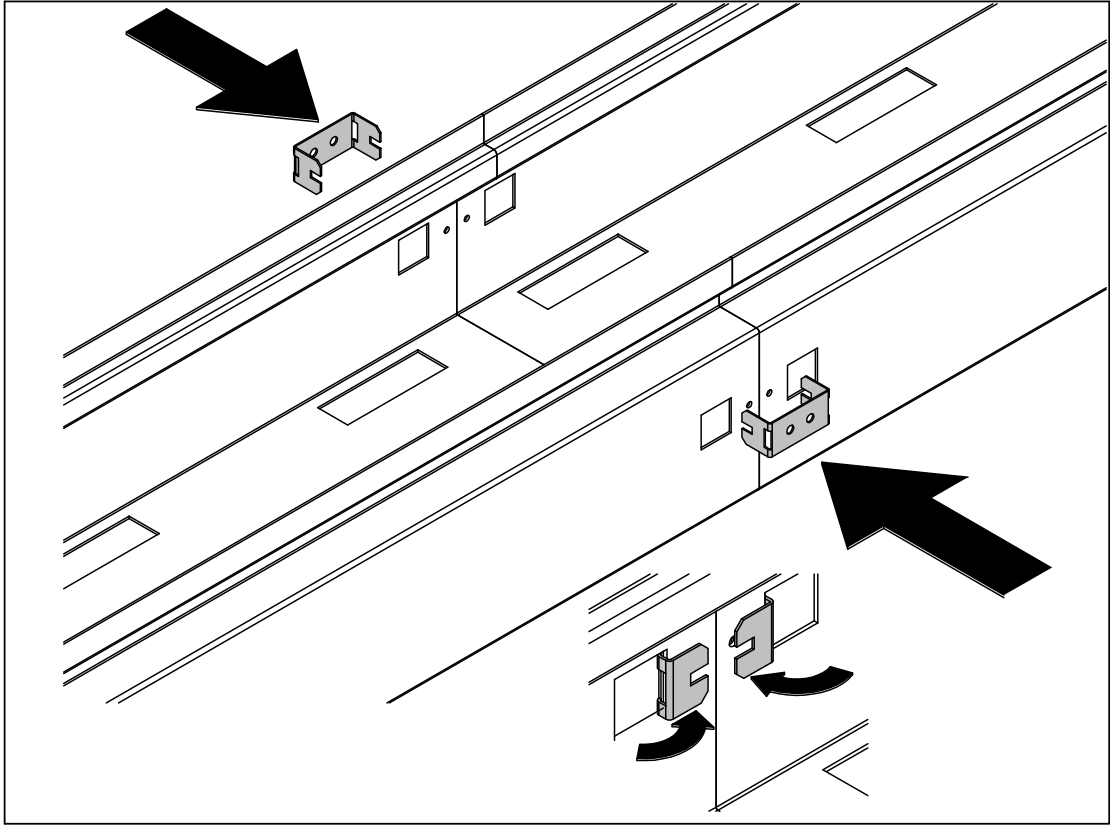


This fixture must be installed by a qualified electrician. Targetti is not responsible if its fixtures are not installed according to local safety standards.

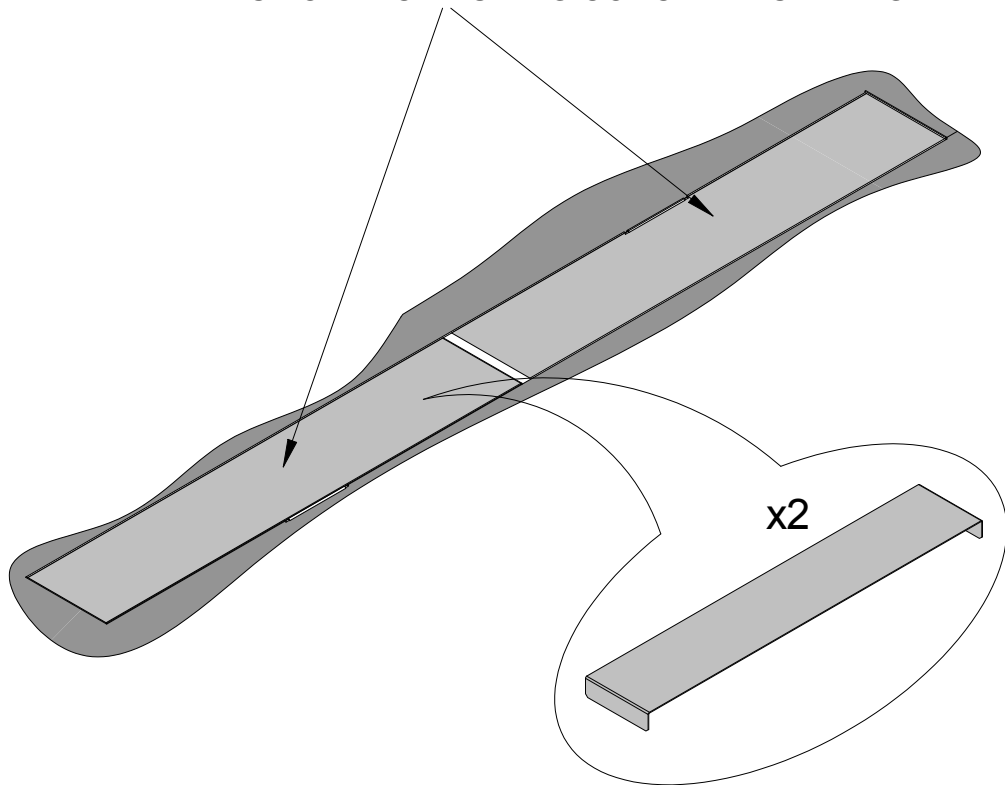


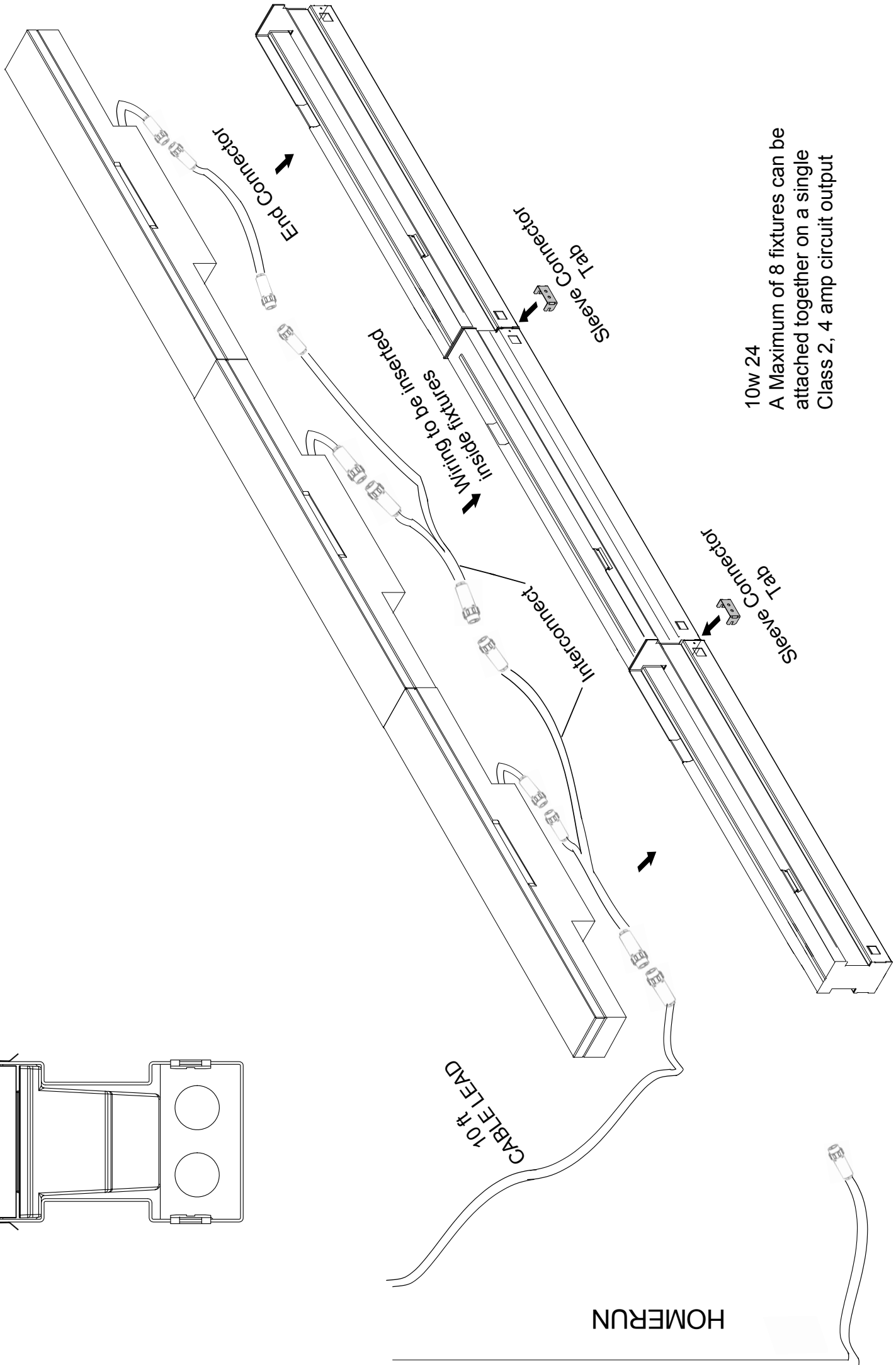
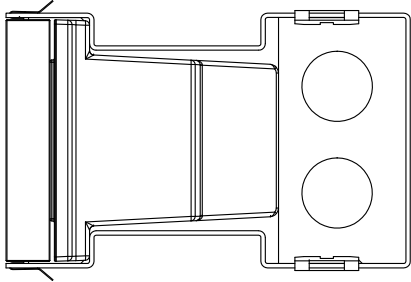
Keep the label of the original packing for eventual future claims.





METAL PLATES TO PLACE DURING CONCRETE SETTING





HOMERUN

10w 24
 A Maximum of 8 fixtures can be attached together on a single Class 2, 4 amp circuit output