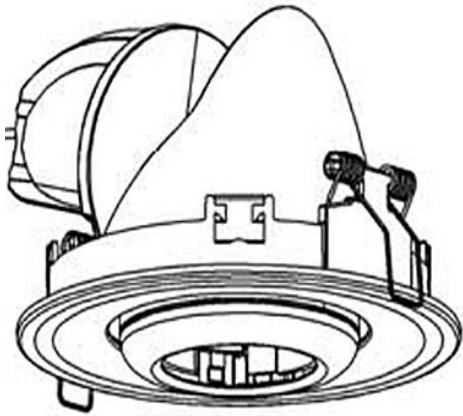
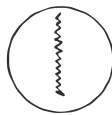


TARGETTI

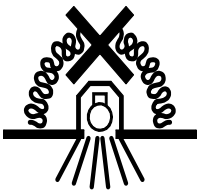
CLOUD MINI



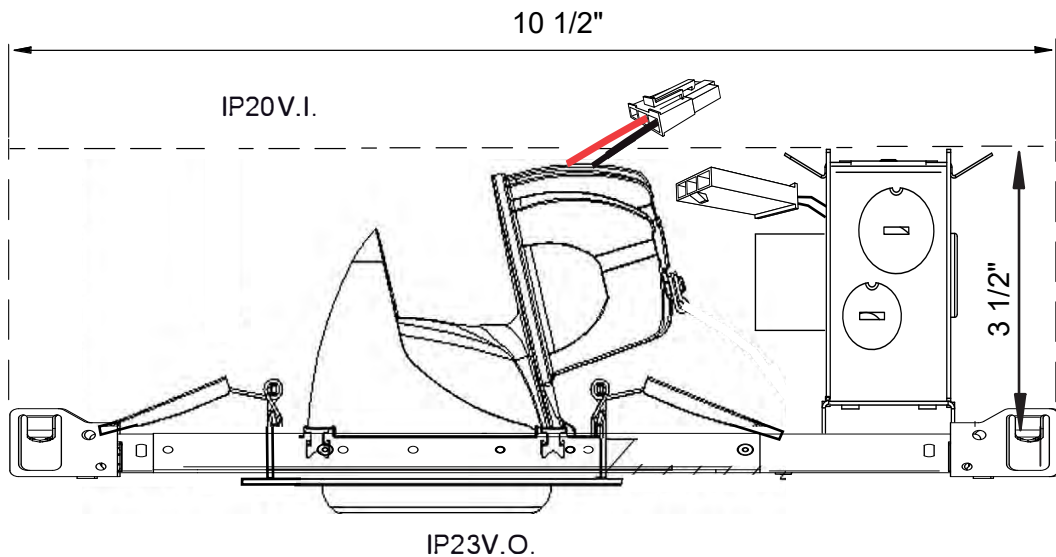
CLD-A
MINI DOWNLIGHT



∅ 4 15/16"

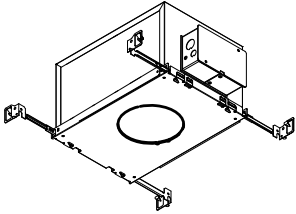


The luminaire shall, under no circumstances, be covered with insulating matting or similar material.





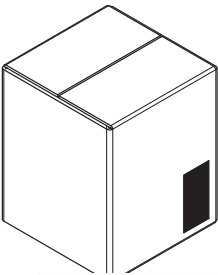
Please leave a copy of these instructions to the person responsible for the maintenance of the installation.



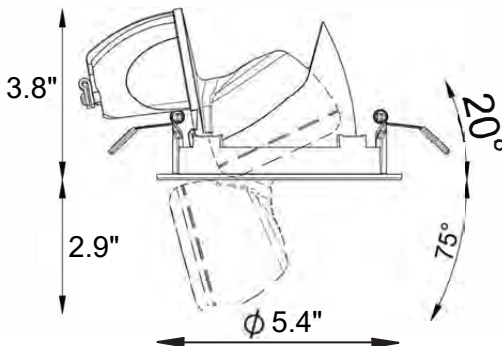
Before installing, confirm that appropriate Frame or Housing is included for project installation requirements and local building codes.



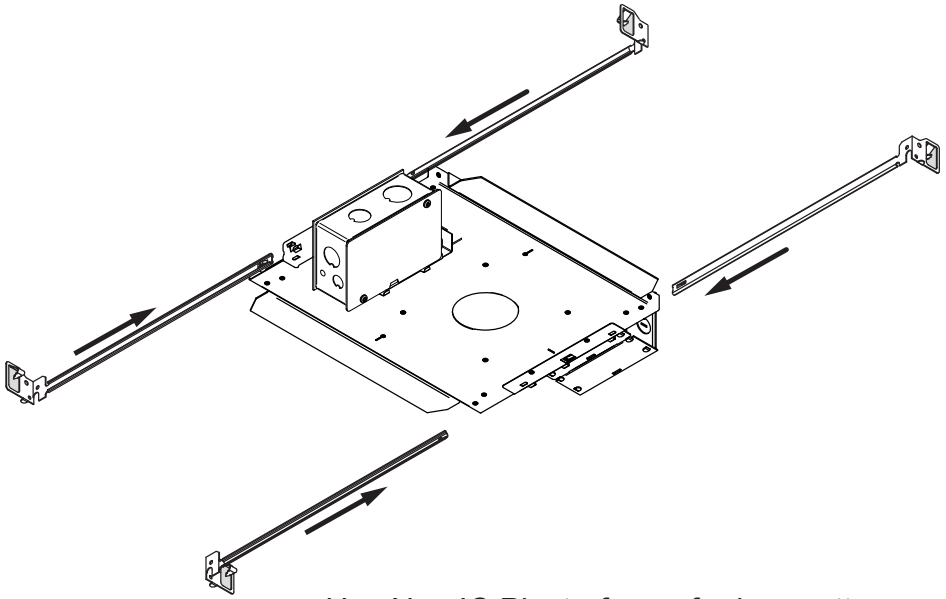
This fixture must be installed by a qualified electrician. Targetti is not responsible if its fixtures are not installed according to local safety standards.



Keep the label of the original packing for eventual future claims.

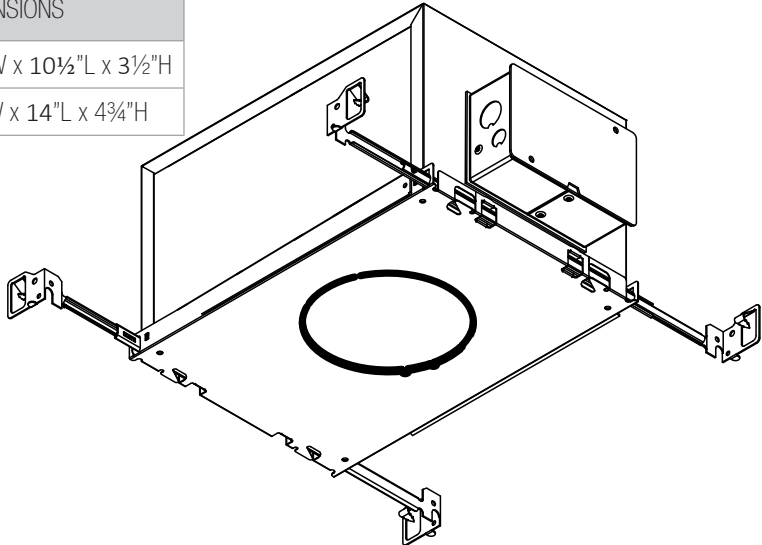


CHOICE OF HOUSING



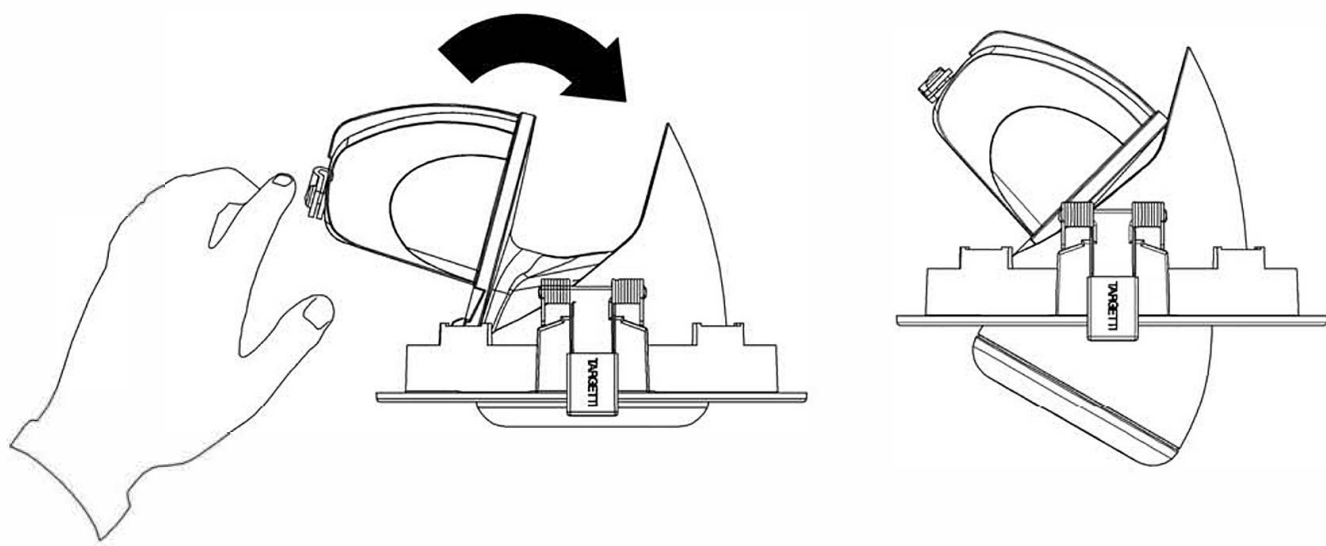
Use Non IC Plasterframe for low wattage fixtures and in cases where there is not any contact with insulation

DESCRIPTION	DIMENSIONS
Non-IC Plaster Frame	7½"W x 10½"L x 3½"H
Air Tight Housing	8¾"W x 14"L x 4¾"H

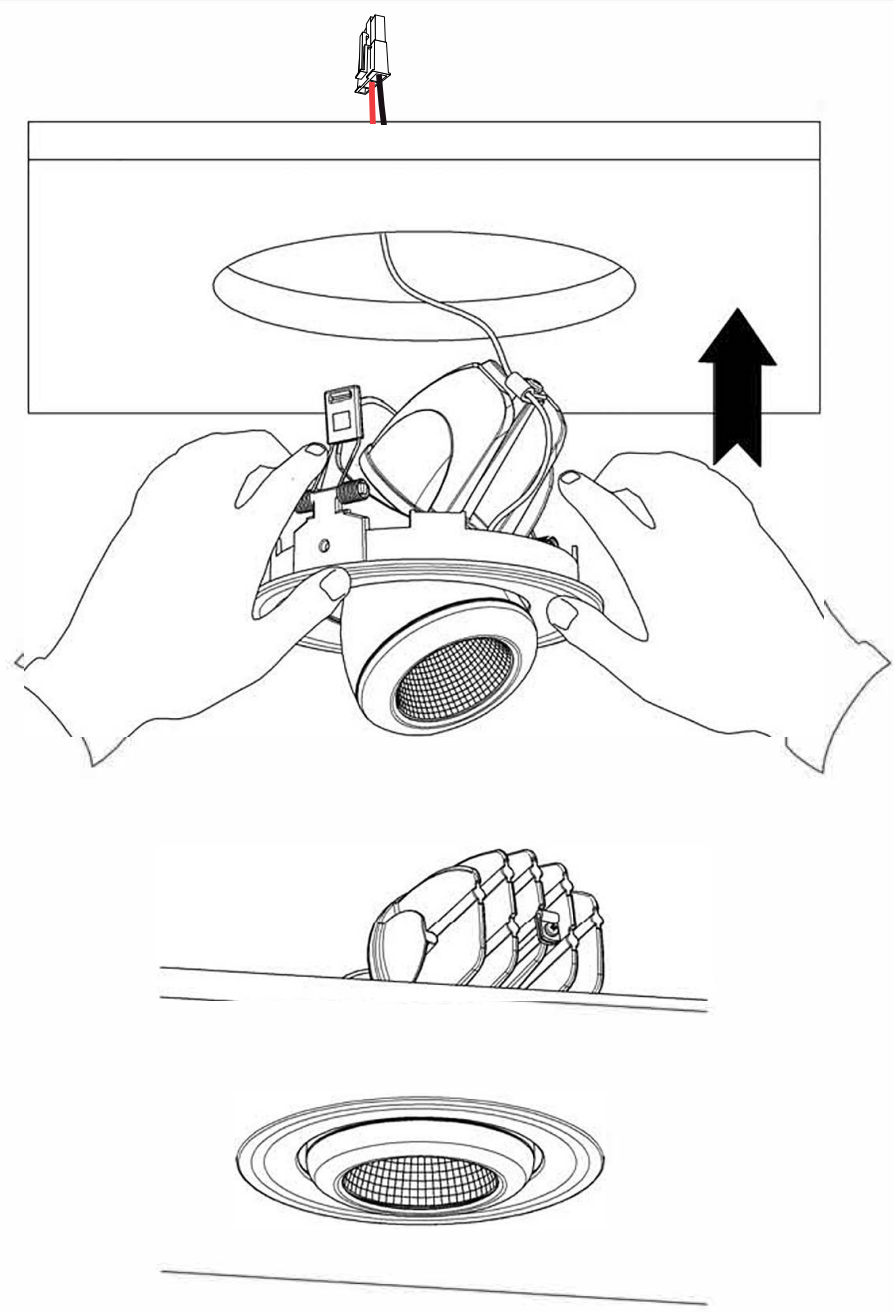


Use IC Housing for high wattage fixtures and in cases where insulation is present

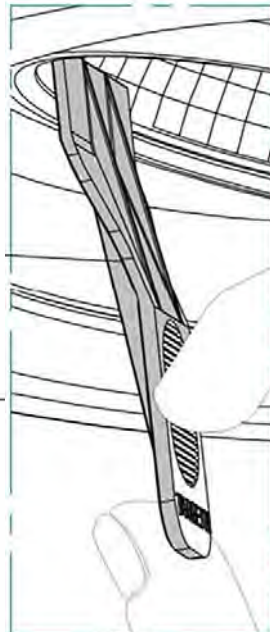
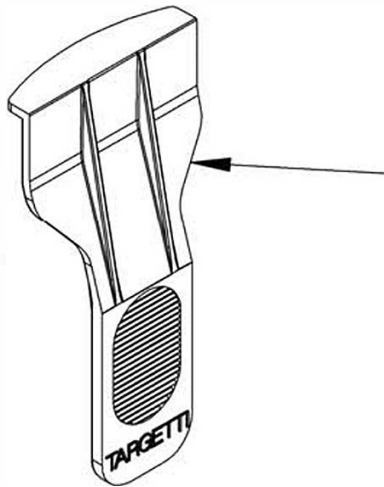
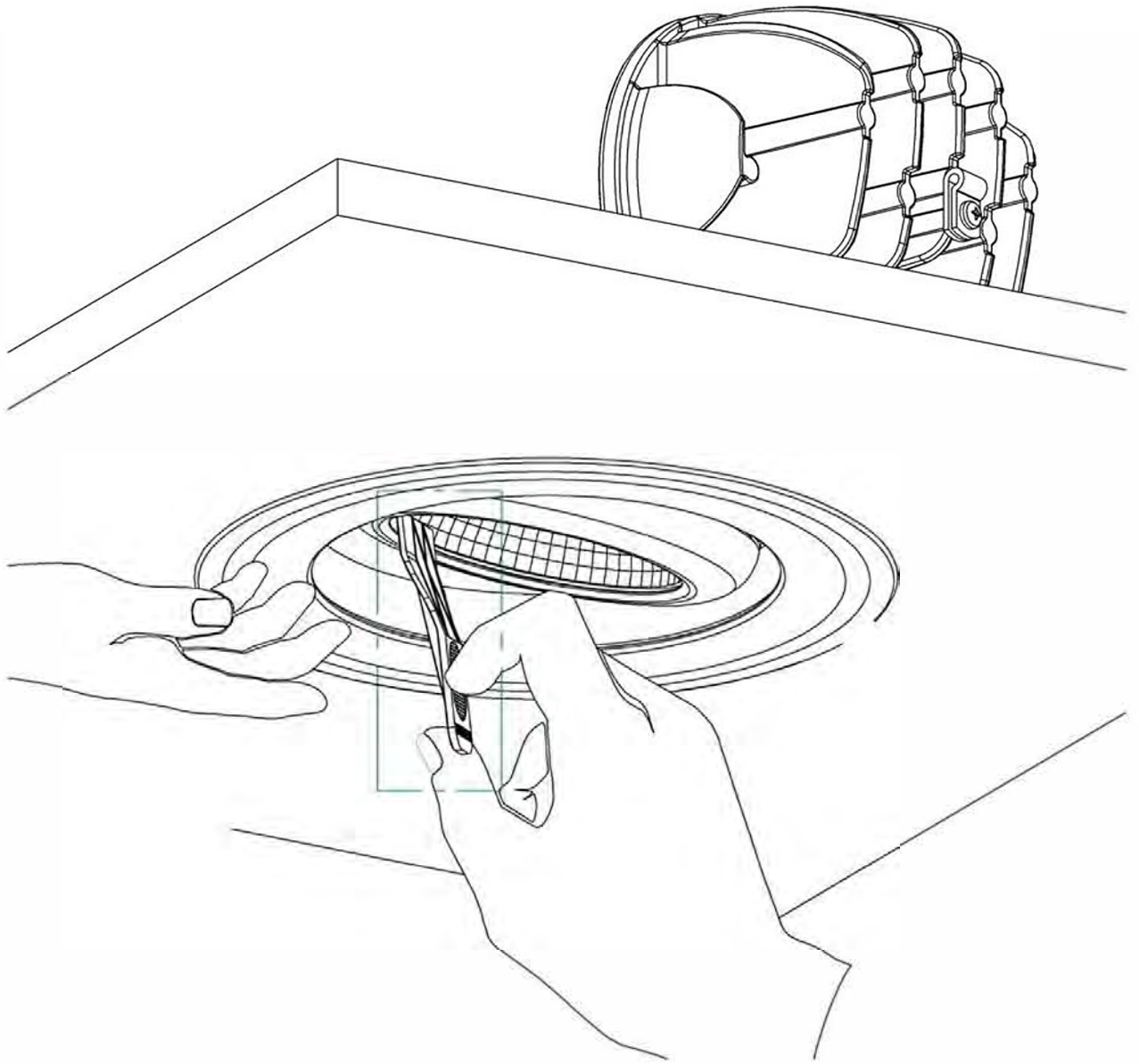
A



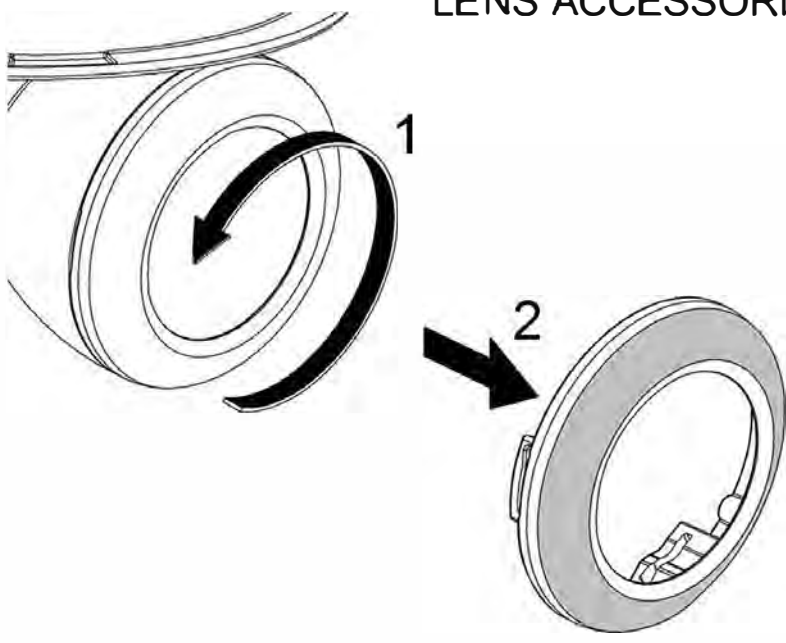
B



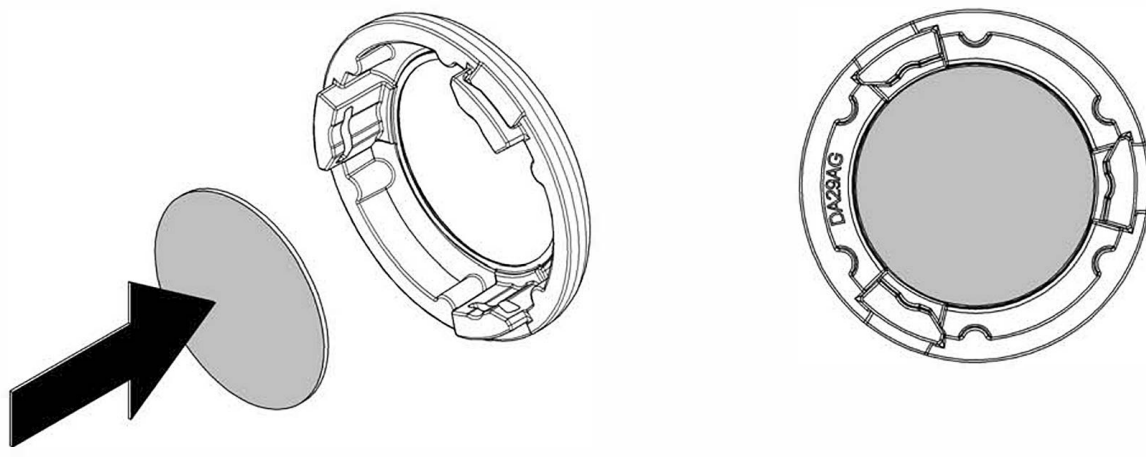
C



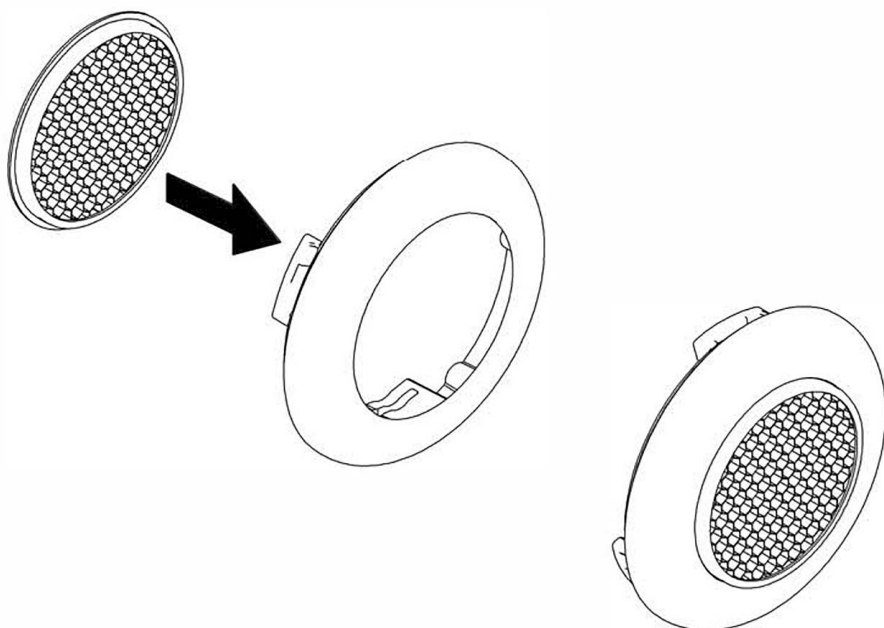
LENS ACCESSORIES



FILTERS

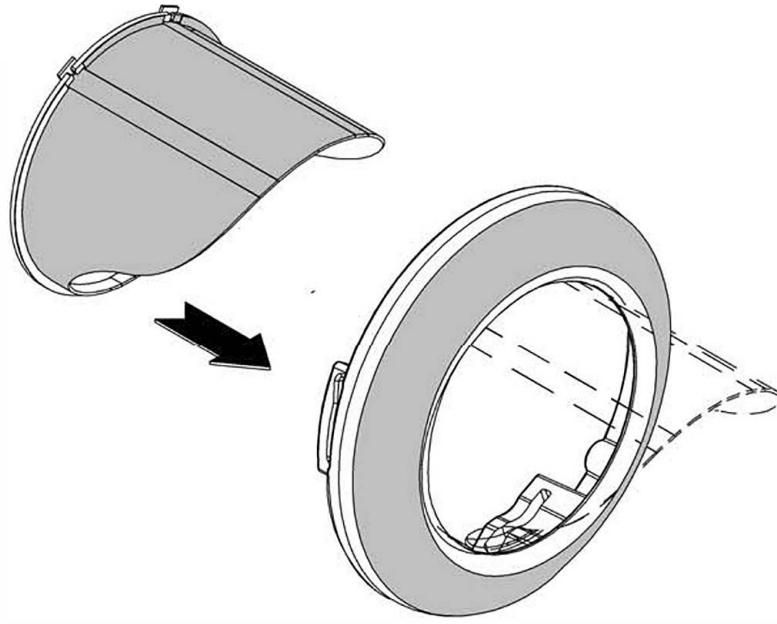


COD. 1T4322 ANTI GLARE



COD. 1T4325

ASYMMETRIC SCREEN



COD. 1T4324

ZOOM ACCESSORY

