

WARNING

THIS PRODUCT MUST BE INSTALLED IN ACCORDANCE WITH THE APPLICABLE INSTALLATION BY A PERSON FAMILIAR WITH THE CONSTRUCTION AND OPERATION OF THE PRODUCT AND THE HAZARDS INVOLVED.



Electrical current can cause painful shock, serious injury, or even death. Make sure you turn off the power supply, ground fixture(s), and make sure all electrical connections are correct and secured.



This fixture must not be installed during rain, fog, or high humidity.

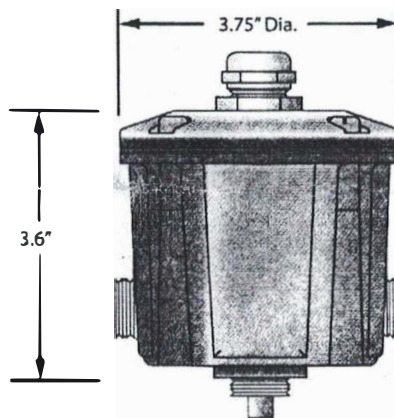


For use in IP67 installations.



Keep the label of the original packaging if any eventual future claims are needed.

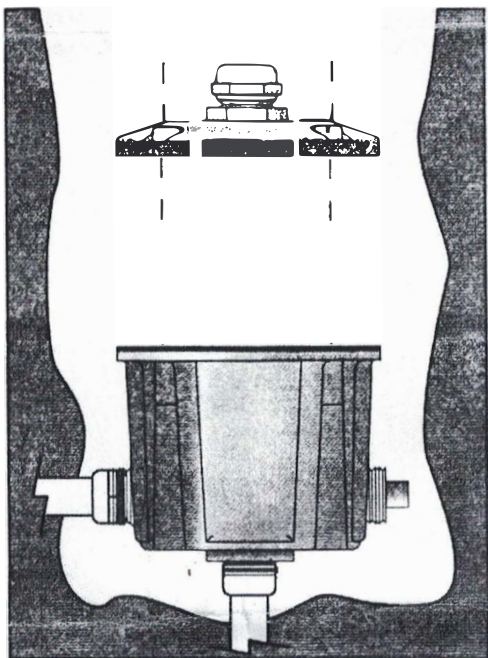
1



The brass box is supplied with the following components:

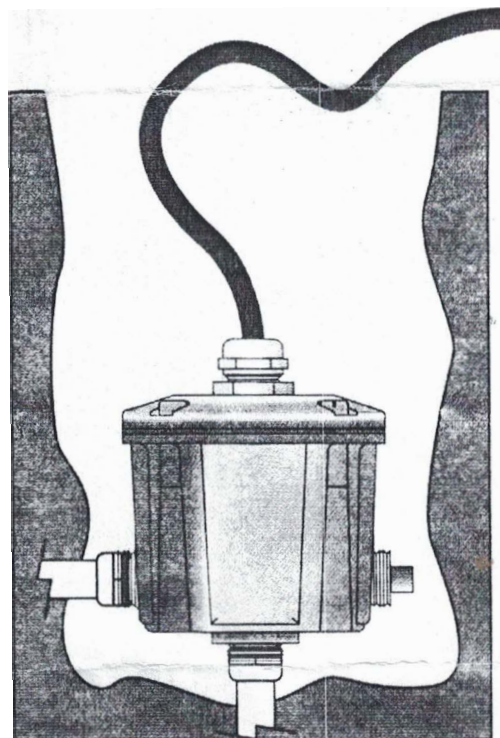
- 4 3/4" Side/Bottom NPT holes.
- 4 1/2" reduction NPT adapters
- 2 1/2" cap plugs

2



Connect brass box to conduit system. Seal conduit entries inside junction box with a good grade RTV sealant after sealant manufacturer's instructions.

3



Seal threads. Tighten locking screw on bottom of cover. Connect wires observing polarity, i.e., green-to-ground, white-to-common, and black-to-voltage.