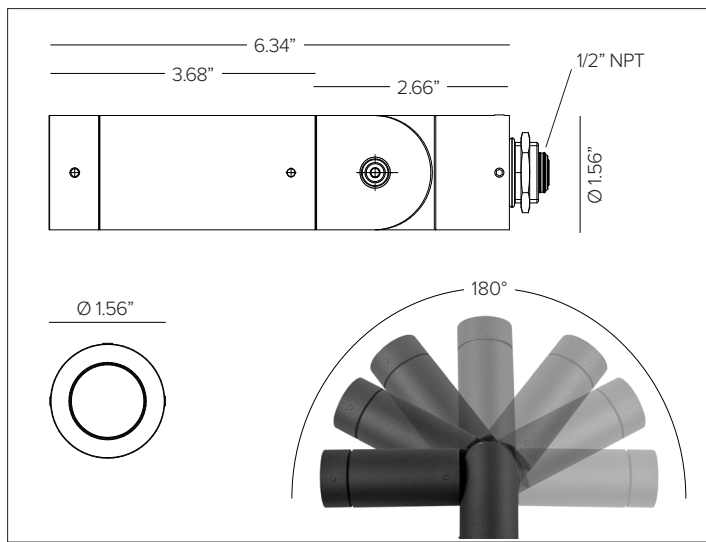


BULLETTO MINI

Compact Adjustable Floodlight Projector



BULLETTO MINI shown in Ferrite Dark Grey finish.



CONCEPT

Compact projector flood light for high intensity applications.

MECHANICAL CHARACTERISTICS

Housing	1.56" Dia. X 6.34" L
Materials	Aluminum body and joints for maximum heat dissipation.
Finish	Textured finish. ● Ferrite Dark Grey ● Heritage Brown ● Bronze ● Black ● White ● Sandstone Grey
Power Connection	Pre-cabled with 10' Belden direct burial 18ga 3 conductor cable for connection to remote power supply.
Functionality	Modular body for toolless maintenance. IP66 protection rated optical chamber with removable front cap for simple toolless field interchangeability of optics and accessories.
Mounting	Adjustable up to 180° on the vertical surface with aim lock set screw, 360° rotatable on the horizontal axis. Brass counter nut with 1/2" NPS mounting stem suitable for direct j-box mount. Optional installation accessories for additional mountings.
Weight	1.0lbs
Protection	IP66
Impact	IK08

CERTIFICATIONS

cULus Class 2 Wet Location Listed E479873.
 Tested in accordance with LM-79-08.
 Compliant for California installations.
 IEC 62471
 RoHS3 EU 215/863

WARRANTY

5 year limited warranty
 ^ Fixture suitable for use in marine grade environments. Not to be in direct contact with salt or corrosive agents for extended periods of time.

SUSTAINABILITY

Luminaire designed for disposal/recycling at end-of-life. Replaceable LED light source and control gear by a Targetti technician.

ELECTRICAL CHARACTERISTICS

Power Supply	Remote Class 2 120V-277V AC power supply required, ordered separately. Flicker free dimming achieved through driver.
Wattage	8W
Voltage	24V DC
Ambient Temp.	-25°C / +35°C (95°F)

SOURCE

High efficiency LED Emitter

TM30	CCT (Nominal)	CRI	Rf	Rg	SDCM
	2700K	90	94	99	2
	3000K	90	94	99	2
	3500K	90	94	99	2
	4000K	90	93	101	2

OPTIC

Equipped with PMMA lens and interchangeable optical holographic lens, factory preset per specified optic with other beams included in packaging.

Beam		SP 1'	FL 20°	MWFL 37'
Delivered Lumens	2700K	350Lm	306Lm	276Lm
	3000K	380Lm	332Lm	300Lm
	3500K	407Lm	356Lm	321Lm
	4000K	407Lm	356Lm	321Lm

Efficacy 61Lm/W max. Refer to photometric graphs for specific values.

Lifetime	L96/B10 30,000hrs at max TA +25°C L95/B10 50,000hrs at max TA +25°C L94/B10 80,000hrs at max TA +25°C L93/B10 100,000hrs at max TA +25°C
-----------------	---

Photobiological Classification Low risk safety RG1

BULLETTO MINI

SPECIFICATION INFORMATION



Ex: BLMRPFEL1SP30 / DMLE301242UD

1 - PRODUCT CODE	2 - DRIVER	3 - FINISH	4 - WATTAGE	5 - OPTIC	6 - KELVIN	7 - POWER SUPPLY
BLM — BULLETTO MINI	RP — Remote Power	FE — Ferrite Dark Grey HB — Heritage Brown BZ — Bronze WT — White BT — Black SG — Sandstone Grey RAL — Custom RAL	L1 — 8W	SP — SP 11° FL — FL 20° MF — MWFL 37°	27 — 2700K 30 — 3000K 35 — 3500K 40 — 4000K	Power Supply See section for details
8 - OPTICAL ACCESSORIES		9 - INSTALLATION ACCESSORIES		10 - TREE MOUNTING INSTALLATION ACCESSORIES		
Blade of Light Linear Spread Lens See section for details Anti-glare Louver See section for details Asymmetric Screen See section for details Lumishape See section for details		Surface Mount Bracket See section for details Earth Spike See section for details Low Profile Surface Canopy See section for details Permapost See section for details		Tree Strap See section for details Fixture Bracket See section for details Wiring Connection Box See section for details Mesh Protective Wiring See section for details		

For applicable quick ship items, see model configurations listed below. Lead time for quick ship fixtures is 1-2 weeks from processed PO date. Consult factory for quantities of over 20pcs to confirm lead time.


 QSBLMRPBZL1(SP / FL / MF)30 + DMLE301242UD / DMLE601242UD / DMLE961242UD
 QSBLMRPFEL1(SP / FL / MF)30 + DMLE301242UD / DMLE601242UD / DMLE961242UD

OPTIC DETAILS

Interchangeable Multi Optic (SP / FL / MWFL)
 Factory preset per specified optic with other beams included in packaging.



BULLETTO MINI

7 - POWER SUPPLY (REQUIRED)

ENCLOSURE								
Part No.	Wattage	Control	Dim Range	Rating	In / Out Voltage	Certification	Dimensions (Enclosure)	Description
DMLE301242UD	30W	MLV / ELV / 0-10V / TRIAC	MLV 10% / ELV 10% / 0-10V 5%	NEMA3R	120-277V / 24V	UL Class 2	4.47" X 6.79" X 1.38"	EMCOD MLE-UD electronic driver with wiring compartment.
DMLE601242UD	60W	MLV / ELV / 0-10V / TRIAC	MLV 10% / ELV 10% / 0-10V 5%	NEMA3R	120-277V / 24V	UL Class 2	4.47" X 6.79" X 1.38"	EMCOD MLE-UD electronic driver with wiring compartment.
DMLE961242UD	96W	MLV / ELV / 0-10V / TRIAC	MLV 10% / ELV 10% / 0-10V 5%	NEMA3R	120-277V / 24V	UL Class 2	5.16" X 7.73" X 1.54"	EMCOD MLE-UD electronic driver with wiring compartment.
DMLE1922242UD	2X96W	MLV / ELV / 0-10V / TRIAC	MLV 10% / ELV 10% / 0-10V 5%	NEMA3R	120-277V / 24V	UL Class 2	5.04" X 10.94" X 1.81"	EMCOD MLE-UD electronic driver with wiring compartment.
DMLE2882242UD	3X96W	MLV / ELV / 0-10V / TRIAC	MLV 10% / ELV 10% / 0-10V 5%	NEMA3R	120-277V / 24V	UL Class 2	5.04" X 10.94" X 1.81"	EMCOD MLE-UD electronic driver with wiring compartment.

MAX FIXTURES PER DRIVER

Fixture Wattage	Driver Wattage				
	30W	60W	96W	2X96W	3X96W
8W	3	6	9	9+9	9+9+9

BULLETO MINI

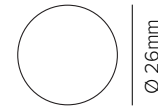
8 – OPTICAL ACCESSORIES (OPTIONAL)

MAXIMUM OF TWO ACCESSORIES PER FIXTURE.



Integral 'Blade of Light' linear spread lens PMMA holographic filter.

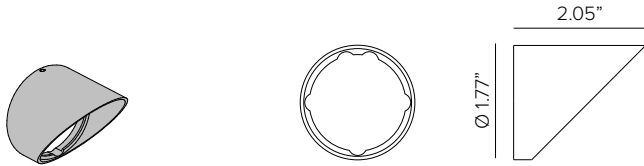
Part No. **1E3789**



Integral honeycomb anti-glare louver.

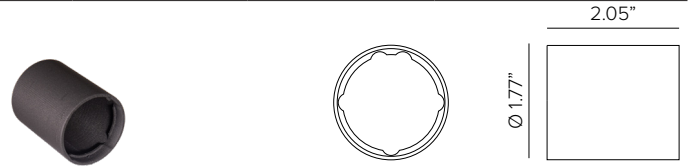
Finish ● Deep Black

Part No. **1E3791**



External asymmetric snoot. Powder coated stainless steel. Cutoff 19.4°

Part No. **1E3787 (*)**

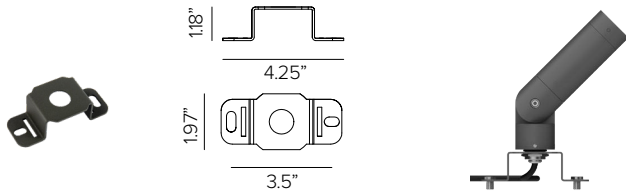


External super snoot. Powder coated stainless steel.

Part No. **1E4381 (*)**

9 – INSTALLATION ACCESSORIES (OPTIONAL)

MAXIMUM OF ONE ACCESSORY PER FIXTURE



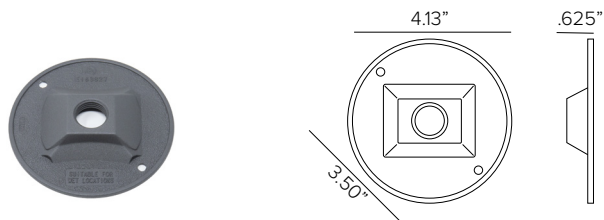
Surface mounting bracket. Powder coated stainless steel.

Part No. **1E3786 (*)**



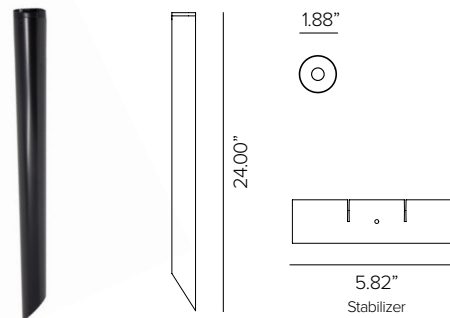
Earth spike. Powder coated stainless steel.

Part No. **1E3785 (*)**



Low Profile surface canopy. Powder coated aluminum with 1/2" NPT to mount over standard 4" Dia. round outdoor j-box.

Part No. **1BLTSMCVR (*)**



Permapost. Aluminum with 1/2" NPT and 1ea stabilizer.

Finish ● Deep Black

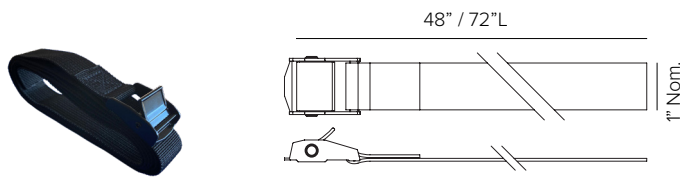
Part No. **PRMP24BK**

- Ferrite Dark Grey (Default)
- Heritage Brown (HB)*
- Bronze (BZ)*
- White (WT)*
- Black (BT)*
- Sandstone Grey (SG)*

*Add suffix to end of number to identify finish (EX. 1E3786HB)

BULLETO MINI

10 – TREE MOUNTING INSTALLATION (OPTIONAL)



Tree strap. Durable marine grade polypropylene webbing flexible strap with stainless steel cam buckle. For single configuration, 1ea strap included. For double configuration, 2ea straps included. **(REQUIRED FOR TREE MOUNTING)**

Finish ● Black ● Coyote Brown ● Silver Grey ● Graphite Grey

SINGLE STRAP Maximum of 4ea fixture brackets per single strap.

Length 48"

Part No. **TTS01S48BK** **TTS01S48BR** **TTS01S48SG** **TTS01S48GG**

Length 72"

Part No. **TTS01S72BK** **TTS01S72BR** **TTS01S72SG** **TTS01S72GG**

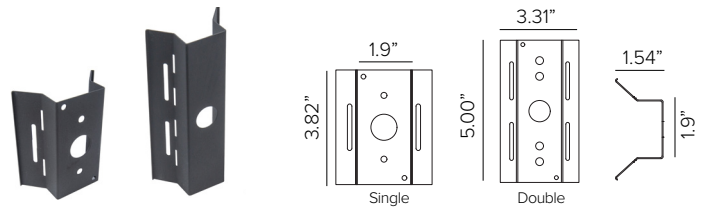
DOUBLE STRAPS Maximum of 8 fixture brackets per double strap.

Length 48"

Part No. **TTS01D48BK** **TTS01D48BR** **TTS01D48SG** **TTS01D48GG**

Length 72"

Part No. **TTS01D72BK** **TTS01D72BR** **TTS01D72SG** **TTS01D72GG**



Fixture bracket comprised of powder coated stainless steel for use with tree strap. Single bracket to be used with single strap configuration. Double bracket to be used with double strap configuration. **(REQUIRED FOR TREE MOUNTING)**

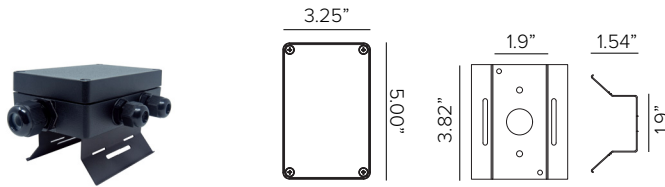
Finish ● Black ● Bronze ● Sandstone Grey ● Ferrite Dark Grey

SINGLE BRACKET Maximum of 4ea fixture brackets per single strap.

Part No. **TTB01SBK** **TTB01SBZ** **TTB01SSG** **TTB01SFG**

DOUBLE BRACKET Maximum of 8 fixture brackets per double strap.

Part No. **TTB01DBK** **TTB01DBZ** **TTB01DSG** **TTB01DFG**



Connection box. Painted aluminum UL listed j-box with single input and 4ea max outputs for lateral cable exit. Provided with 1ea 1/2" cable gland and 4ea 3/8" cable gland, 3ea plugs provided along with mounting bracket, **tree strap sold separately**. Used to connect single 24V DC low voltage cable from remote driver to connection box. For single strap configuration, use 1ea connection box. For double strap configuration, use 2ea connection boxes. **(OPTIONAL)**

Finish ● Black ● Bronze ● Sandstone Grey ● Ferrite Dark Grey

Part No. **TTC02SBK** **TTC02SBZ** **TTC02SSG** **TTC02SFG**



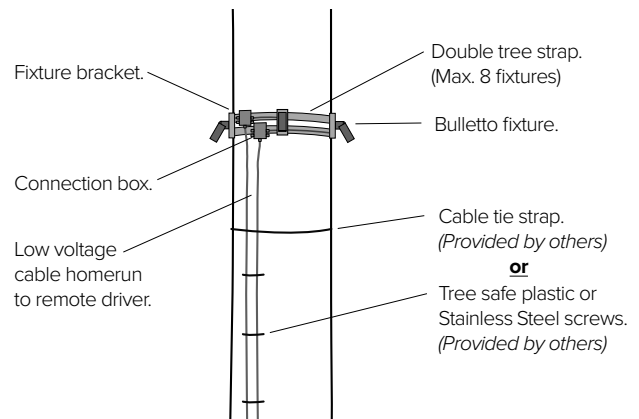
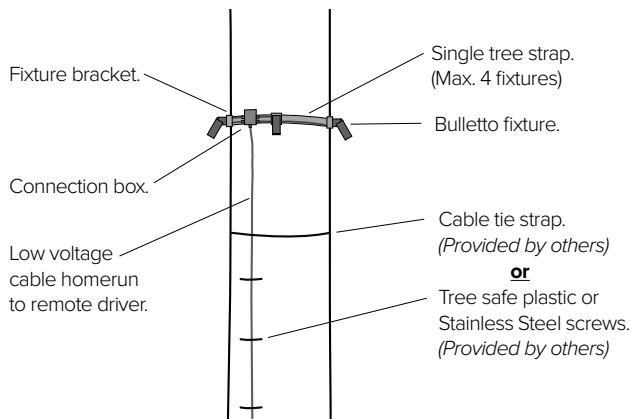
Mesh wire protection cable sleeve, available per foot. Comprised of braided polyethylene terephthalate (PET) mono-filament webbing resistant to chemical degradation, UV radiation, and abrasion. **To be used in installations where multiple cables can be combined into a 'single' cable look and/or to conceal the cable to match the finish of the surface. (OPTIONAL)**

Finish ● Black ● Coyote Brown ● Silver Grey ● Graphite Grey

Part No. **TTMW01BK** **TTMW01BR** **TTMW01SG** **TTMW01GG**

TREE WIRING CONFIGURATION

Note: Suggested to adjust the strap every 6 months in order to prevent tree damage.



BULLETTINO MINI

PHOTOMETRY

IES FILES WATTAGE AND EFFICIENCY CALCULATIONS BASED WITH SUPPLIED DRIVER

SPOT



2700K		H(m)	D(m)	Emax(lx)		
Ra90			11°			
Fixture Power	8W	1	0.19	6942		
Source Flux	479lm	2	0.38	1736		
Fixture Flux	350lm	3	0.57	771		
Efficacy	45lm/W	4	0.75	434		
TS1401	I _{max} =14505cd/klm	I _{max}	6942cd	5	0.94	278



3000K		H(m)	D(m)	Emax(lx)		
Ra90			11°			
Fixture Power	8W	1	0.19	7545		
Source Flux	520lm	2	0.38	1886		
Fixture Flux	380lm	3	0.57	838		
Efficacy	49lm/W	4	0.75	472		
TS1401	I _{max} =14505cd/klm	I _{max}	7545cd	5	0.94	302



3500K		H(m)	D(m)	Emax(lx)		
Ra90			11°			
Fixture Power	8W	1	0.19	8075		
Source Flux	557lm	2	0.38	2019		
Fixture Flux	407lm	3	0.57	897		
Efficacy	52lm/W	4	0.75	505		
TS1401	I _{max} =14505cd/klm	I _{max}	8075cd	5	0.94	323



4000K		H(m)	D(m)	Emax(lx)		
Ra90			11°			
Fixture Power	8W	1	0.19	8075		
Source Flux	557lm	2	0.38	2019		
Fixture Flux	407lm	3	0.57	897		
Efficacy	52lm/W	4	0.75	505		
TS1401	I _{max} =14505cd/klm	I _{max}	8075cd	5	0.94	323

FLOOD



2700K		H(m)	D(m)	Emax(lx)		
Ra90			20°			
Fixture Power	8W	1	0.36	1720		
Source Flux	479lm	2	0.72	430		
Fixture Flux	306lm	3	1.08	191		
Efficacy	39lm/W	4	1.44	107		
TS1402	I _{max} =3593cd/klm	I _{max}	1720cd	5	1.80	69



3000K		H(m)	D(m)	Emax(lx)		
Ra90			20°			
Fixture Power	8W	1	0.36	1869		
Source Flux	520lm	2	0.72	467		
Fixture Flux	332lm	3	1.08	208		
Efficacy	43lm/W	4	1.44	117		
TS1402	I _{max} =3593cd/klm	I _{max}	1869cd	5	1.80	75



3500K		H(m)	D(m)	Emax(lx)		
Ra90			20°			
Fixture Power	8W	1	0.36	2000		
Source Flux	557lm	2	0.72	500		
Fixture Flux	356lm	3	1.08	222		
Efficacy	46lm/W	4	1.44	125		
TS1402	I _{max} =3593cd/klm	I _{max}	2000cd	5	1.80	80



4000K		H(m)	D(m)	Emax(lx)		
Ra90			20°			
Fixture Power	8W	1	0.36	2000		
Source Flux	557lm	2	0.72	500		
Fixture Flux	356lm	3	1.08	222		
Efficacy	46lm/W	4	1.44	125		
TS1402	I _{max} =3593cd/klm	I _{max}	2000cd	5	1.80	80

MEDIUM WIDE FLOOD



2700K		H(m)	D(m)	Emax(lx)		
Ra90			37°			
Fixture Power	8W	1	0.68	565		
Source Flux	479lm	2	1.36	141		
Fixture Flux	276lm	3	2.04	63		
Efficacy	35lm/W	4	2.71	35		
TS1403	I _{max} =1180cd/klm	I _{max}	565cd	5	3.39	23



3000K		H(m)	D(m)	Emax(lx)		
Ra90			37°			
Fixture Power	8W	1	0.68	614		
Source Flux	520lm	2	1.36	153		
Fixture Flux	300lm	3	2.04	68		
Efficacy	39lm/W	4	2.71	38		
TS1403	I _{max} =1180cd/klm	I _{max}	614cd	5	3.39	25



3500K		H(m)	D(m)	Emax(lx)		
Ra90			37°			
Fixture Power	8W	1	0.68	657		
Source Flux	557lm	2	1.36	164		
Fixture Flux	321lm	3	2.04	73		
Efficacy	41lm/W	4	2.71	41		
TS1403	I _{max} =1180cd/klm	I _{max}	657cd	5	3.39	26



4000K		H(m)	D(m)	Emax(lx)		
Ra90			37°			
Fixture Power	8W	1	0.68	657		
Source Flux	557lm	2	1.36	164		
Fixture Flux	321lm	3	2.04	73		
Efficacy	41lm/W	4	2.71	41		
TS1403	I _{max} =1180cd/klm	I _{max}	657cd	5	3.39	26