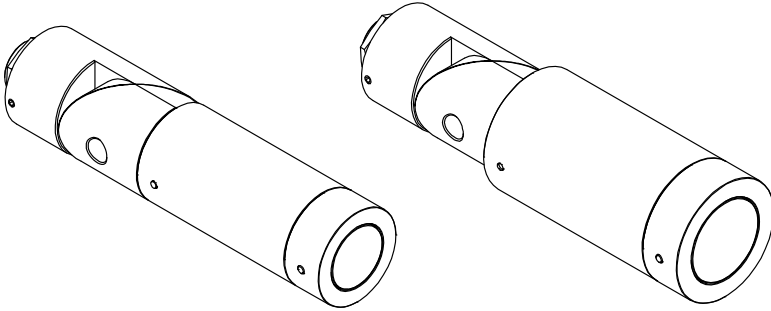




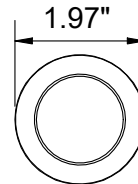
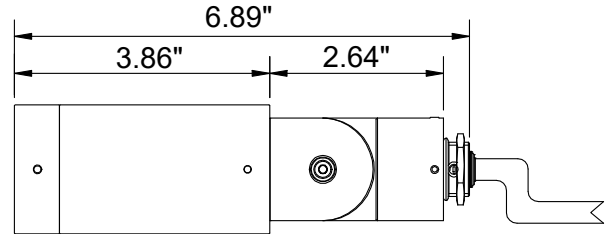
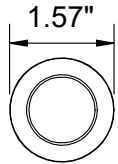
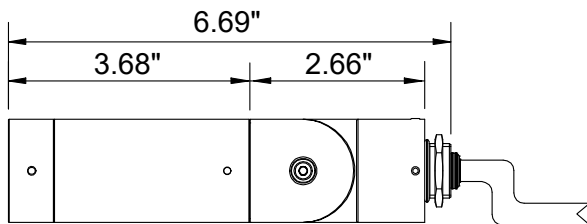
BULLETTO MINI- BULLETTO

BLMRP
BLTRP

BULLETTO MINI- 8W LED SOURCE
BULLETTO- 10W /12W LED SOURCE



If in doubt about the symbols refer to catalog or website.



WARNING

Remote Class II electronic power supply will power the fixture with low voltage. **DO NOT CONNECT FIXTURE TO LINE VOLTAGE. FAILURE TO COMPLY WILL RESULT IN VOID OF WARRANTY.** See Fixture Connection (page 3) for more information.

To ensure a maximum efficient use of the product, read the instructions before proceeding installation.



This fixture must be installed by a licensed and qualified electrician. The installer must comply with NEC and local building codes when installing the fixture



Electrical current can cause painful shock, serious injury, or even death. Make sure you turn off the power supply, ground fixture(s), and make sure all electrical connections are correct and secured tightly



For use in IP66 installations. Keep the label of the original packaging if any eventual future claims are needed



Keep the label of the original packaging if any eventual future claims are needed

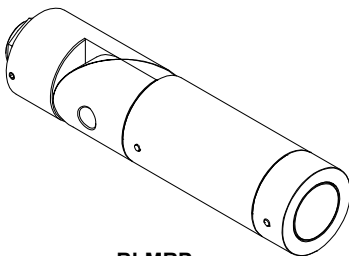
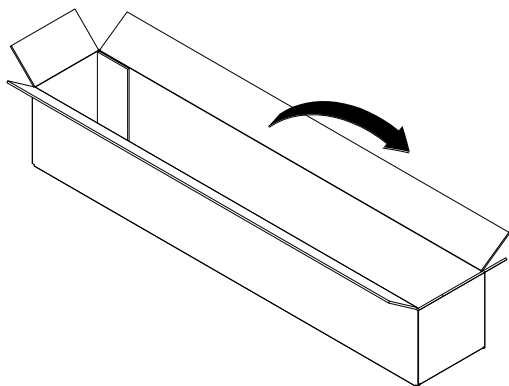
Table of Contents

Packaging Contents	Pg.2
Mounting Accessory Options	Pg.2/3
1E3786 Surface Assembly and Installation	Pg.4
1E3785 Earth Spike Assembly and Installation	Pg.5
1BLTSMCVR Canopy Installation	Pg.6
PRMP24BK Perma-Post Installation	Pg.7
Tree Strap Mounting Installation	Pg.8
Electrical Roughin / Wiring Diagram	Pg.9
Accessories Installation	Pg.10
Maintenance / Support	Pg.11

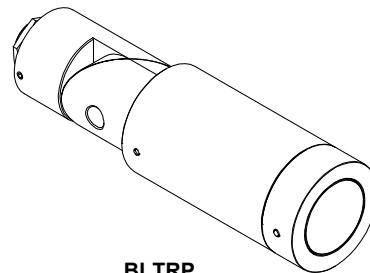
Packaging Contents

*10' 18-3 direct burial cable

*10' 18-3 direct burial cable

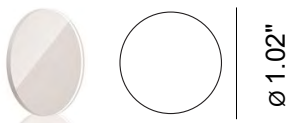


BLMRP
BULLETTO MINI



BLTRP
BULLETTO

Box 8"x2.5"x4" @1.01lbs.
Box 8"x2.5"x4" @1.37lbs.



Spot/Flood/Medium Flood
holographic filters, 1 ea.

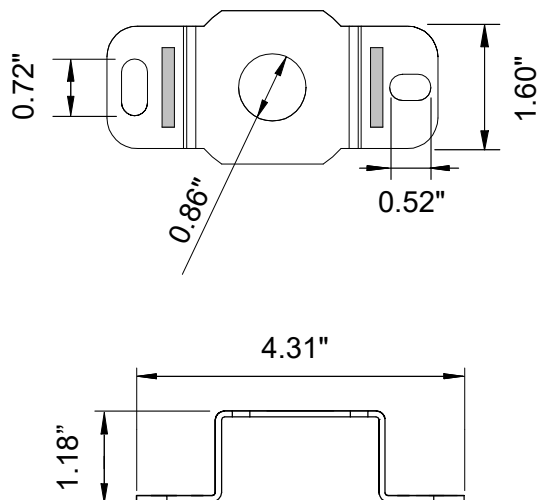


Spot/Flood/Medium Flood/Wide
Flood holographic filters, 1 ea.

Confirm Specified Mounting (Sold Separately)

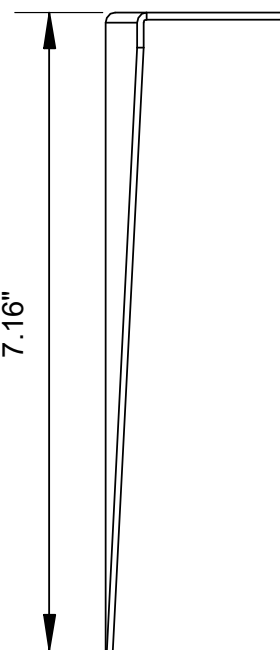
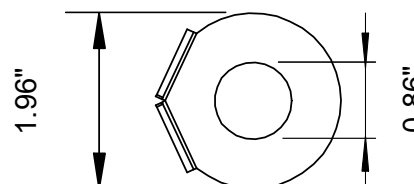
CODE: 1E3786

Surface mounting bracket.
Powder coated stainless steel.



CODE: 1E3785

Earth Spike. Powder
coated stainless steel.

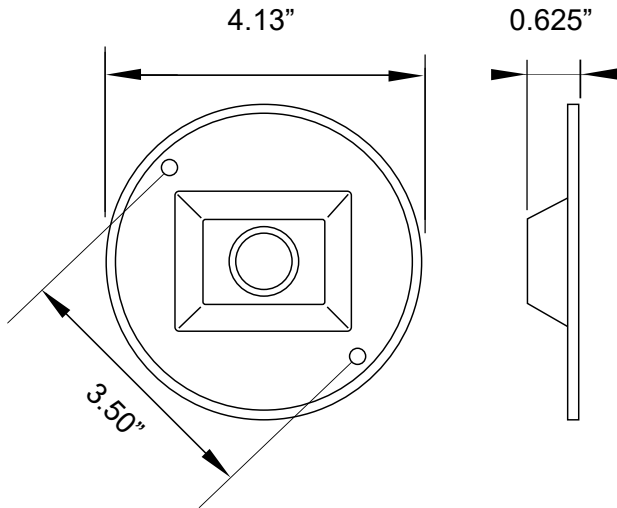


For Tree Mounting Accessories
and Installation. See separate
Bulleso / Bulleso Tree Mounting
Installation Instruction.

Confirm Specified Mounting (Sold Separately) Cont

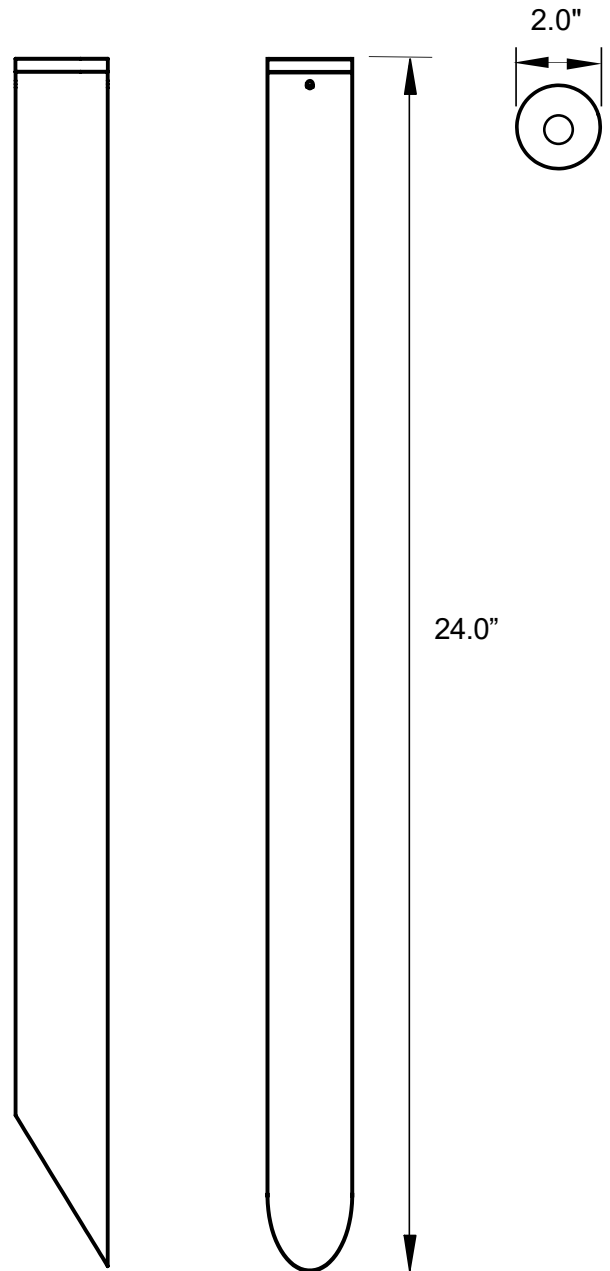
CODE: 1BLTSMCVR

Low Profile surface canopy. Powder coated aluminum with 1/2" NPT to mount over standard 4.13" Dia. round outdoor j-box with remote power.



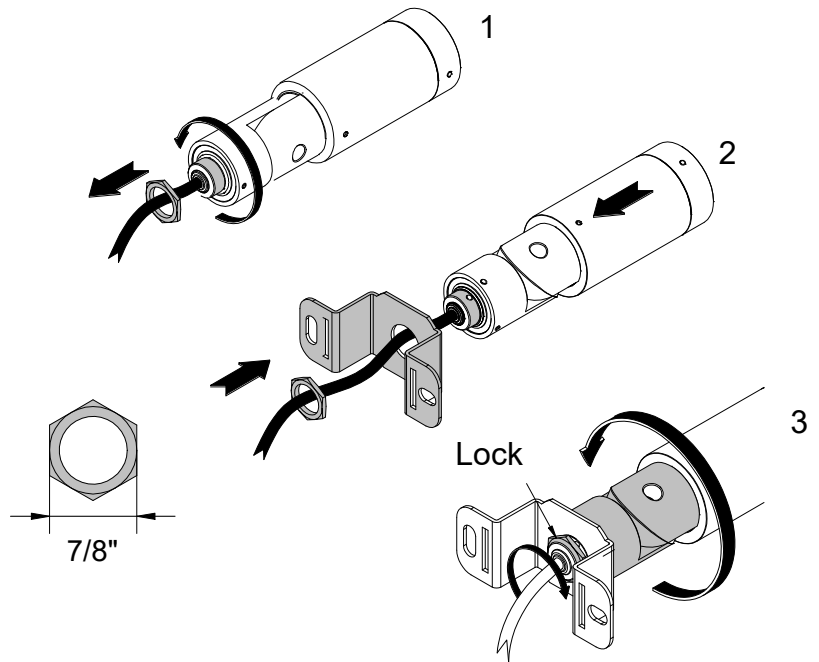
CODE: PRMP24BK

BULLETTTO aluminum perma-post with 1/2" NPT and 1 ea. stabilizer for remote power.



Fixture to Bracket Assembly

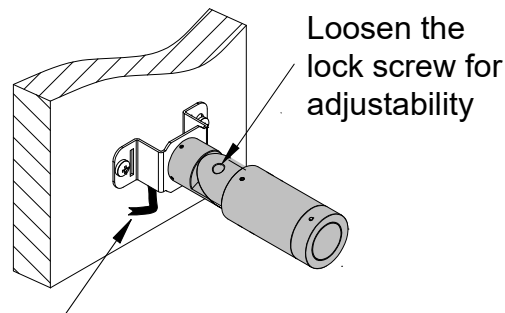
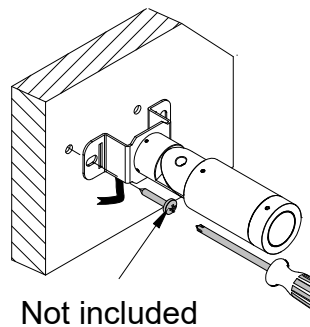
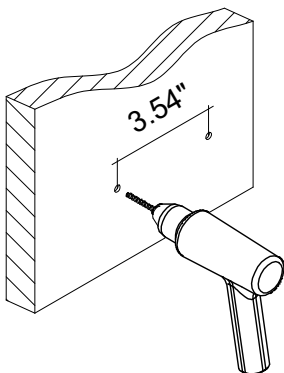
For both Bulleto and the Bulleto Mini, installer will first remove the lock nut that is attached to the fixture. Once removed, insert the fixture's cable and bottom end through mounting accessory hole until the fixture bottom end is set flat with mounting accessory. Insert the cable through the lock nut and attach the lock nut back on the fixture's bottom threaded end. Make sure the fixture and mounting accessories are set correctly before tightening the lock nut.



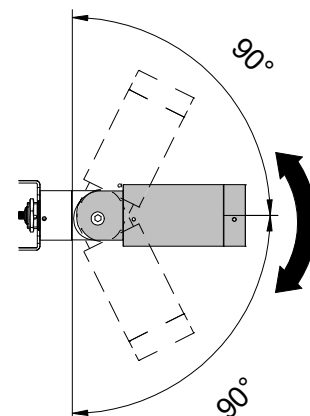
1E3786 Surface Bracket Installation

Installing the surface bracket for both Bulleto and Bulleto Mini. After the surface bracket has been attached onto the LED fixture, proceed to drill the 2 mounting holes that would support the bracket and fixture in place.

- Distance between holes should be approximately 3.54" from center to center.
- Use correct mounting screws according to mounting surface.
- Secure bracket and fixture with screws and tighten.
- Adjust aiming of light at desired angle.

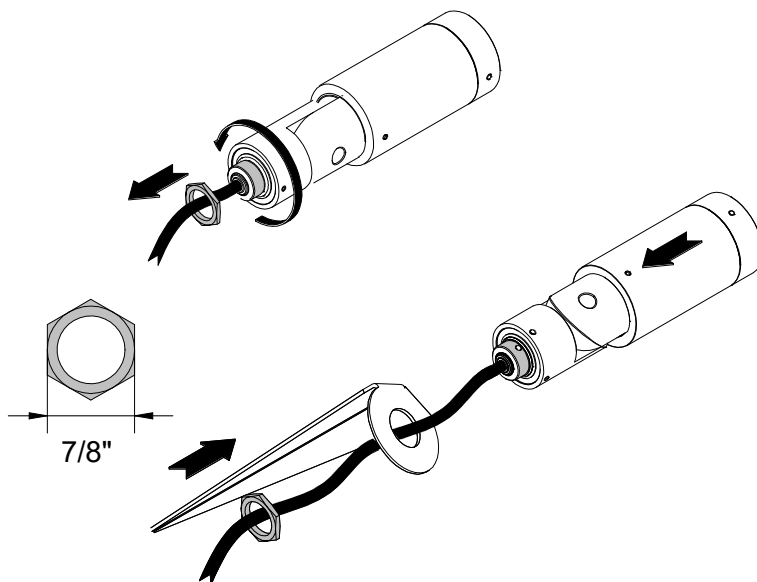


*10' 18-3 direct burial cable
to local J-Box for waterproof connector



Fixture to Earth Spike Bracket Assembly

For both Bulletto and the Bulletto Mini, installer will first remove the lock nut that is attached to the fixture. Once removed, insert the fixture's cable and bottom end through mounting accessory hole until the fixture bottom end is set flat with mounting accessory. Insert the cable through the lock nut and attach the lock nut back on the fixture's bottom threaded end. Make sure the fixture and mounting accessories are set correctly before tightening the lock nut.

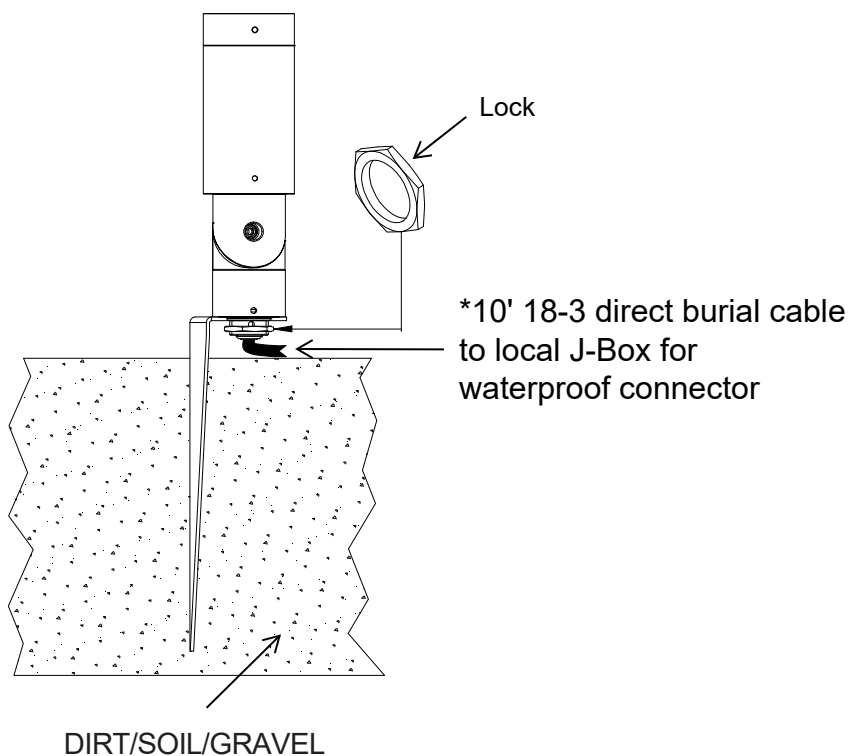


1E3785 Earth Spike Bracket Installation

This type of mounting bracket is the earth spike mounting bracket (cod. 1E3785). The mounting bracket is used for mounting in soil for outdoor application.

To mount the Earth Spike Bracket, first be sure that the proper space and depth for the earth spike to be mounted is cleared. Once all is cleared, insert the earth spike with the attached fixture into the ground. Be sure that the earth spike is leveled and secured to the ground.

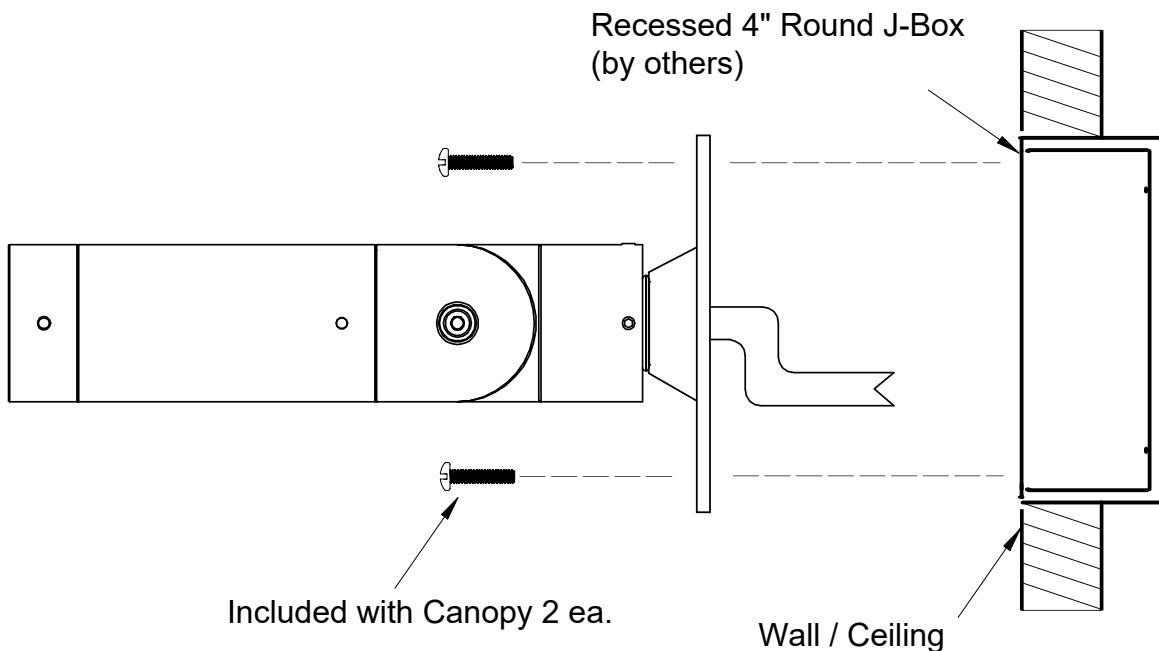
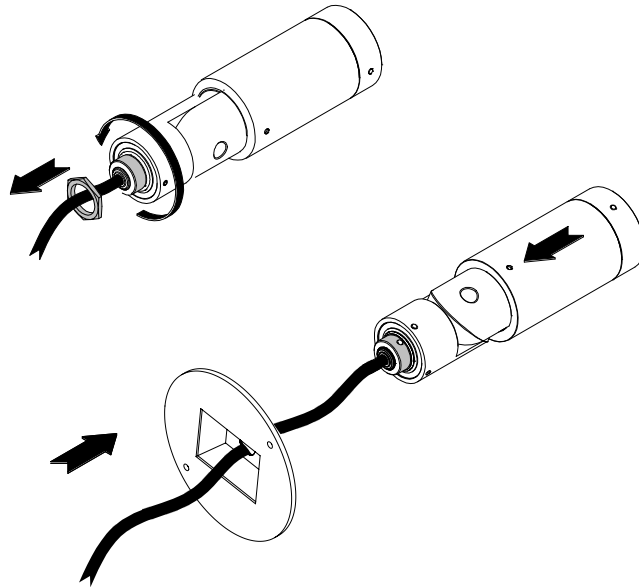
After the earth spike has been attached onto the LED fixture, identify the mounting location and simply insert the earth spike into the ground. This accessory is not intended to be used as concrete anchor.



1BLTSMCVR Canopy Installation

Installing the Canopy on an outdoor recessed J-Box for both Bulletto and Bulletto Mini.

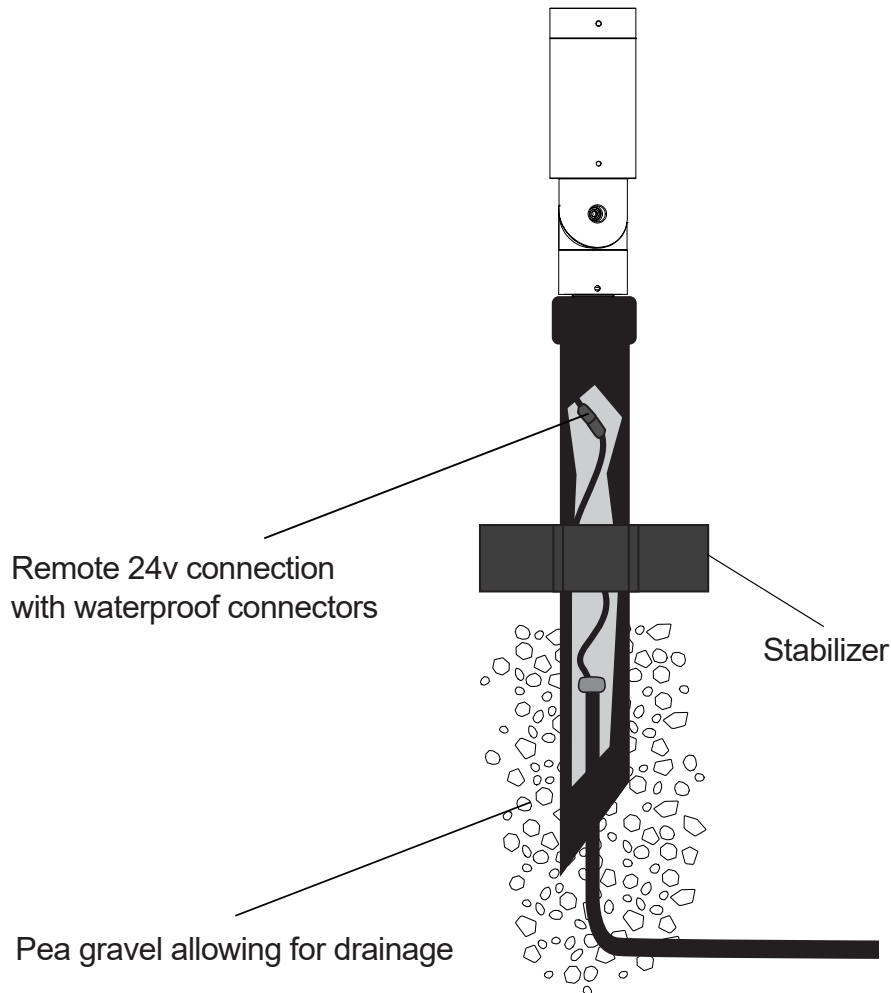
- After attaching the canopy onto the LED fixture, identify the J-Box where the Canopy and fixture will be installed.
- Proceed to make wire connections accordingly using appropriate connectors (make sure this is done into a 24v power source)
- Then simply insert the 2 mounting screws that are included with the Canopy and secure the canopy onto the electrical J-Box and tighten to complete the installation.
- Adjust aiming of light at desired angle.



PRMP24BK Perma-Post Installation

Installing the Perma-post outdoor for both Bulletto and Bulletto Mini.

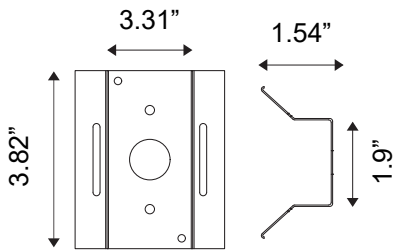
- After the Perma-Post has been attached onto the LED fixture, proceed to make low voltage connections. We recommend to make wire connections at a point where the connections are sitting inside the Perma-Post.
- Once the connections have been made, proceed and install the perma-post on the desired location.
- Stabilizer must be attached onto Perma-Post for a secure installation.
- Adjust aiming of light at desired angle.



Tree Strap Mounting Installation

For tree mounting, there are two types of tree mounting systems: there is the single tree strap and the double tree strap. For the tree strap installation, installer will strap belt with attached fixture(s), depending the tree strap type, and secure the belt around the tree. For added security mounting, a safety strap with rubber belts is attached above the fixture's tree strap and the belts loop around the fixture to hold in place while mounting. Once the strap is secured on the tree with the fixtures attached, connect all fixture's output wires inside the connection box and connect the wires with weatherproof connectors (provided by installer).

Warning: DO NOT CONNECT FIXTURES TO LIVE VOLTAGE.



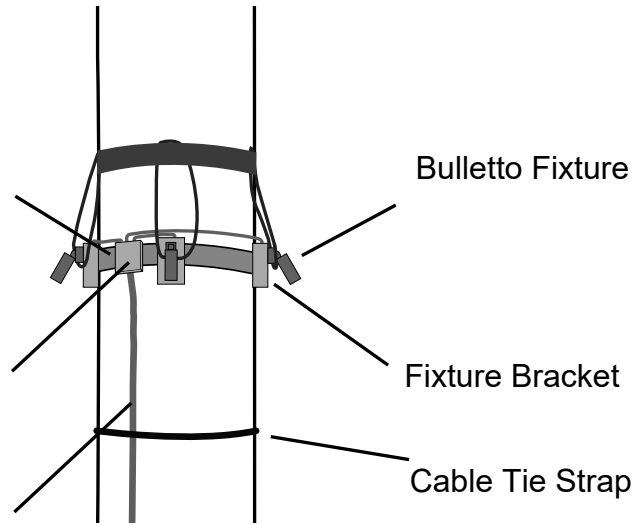
TTBLT0101

Single Tree Strap
(Up to 3 fixtures)

Connection Box

Low voltage Cable

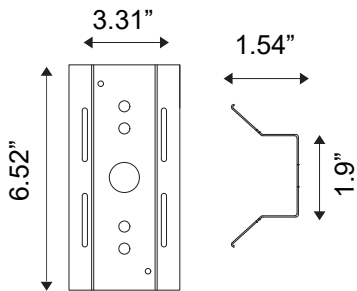
Homerun



Bulletto Fixture

Fixture Bracket

Cable Tie Strap



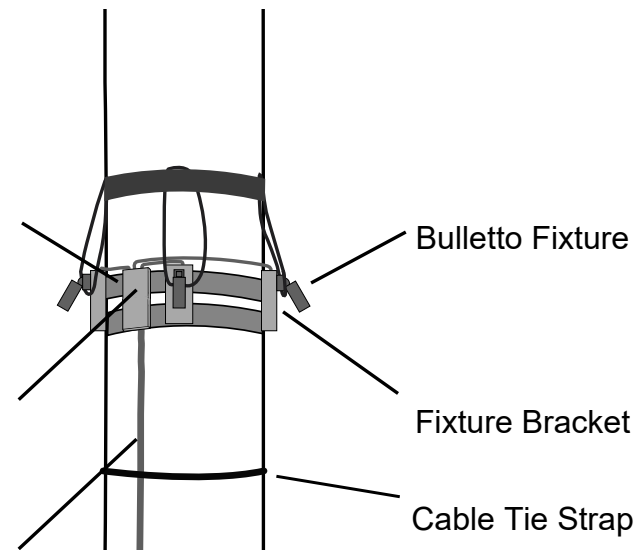
TTBLT0201

Double Tree Strap
(Up to 8 fixtures)

Connection Box

Low voltage Cable

Cable Homerun



Bulletto Fixture

Fixture Bracket

Cable Tie Strap

Electrical Roughin / Wiring Diagram

The Bulletto and the Bulletto Mini fixtures are powered by a 24VDC constant voltage power supply that is installed remotely. **This installation must be done by a qualified electrician that complies with NEC and local building code. CAUTION: DO NOT CONNECT FIXTURE TO LIVE VOLTAGE! THIS WILL DAMAGE THE FIXTURE AND VOID THE WARRANTY!**

The fixture is powered with class 2 cable for low voltage application. Installer will run class 2 cable rated based on the location of application from the output power feed to the remote power supply. Cable length and gauge will be determined based on installation and voltage drop threshold percentage of <3%.

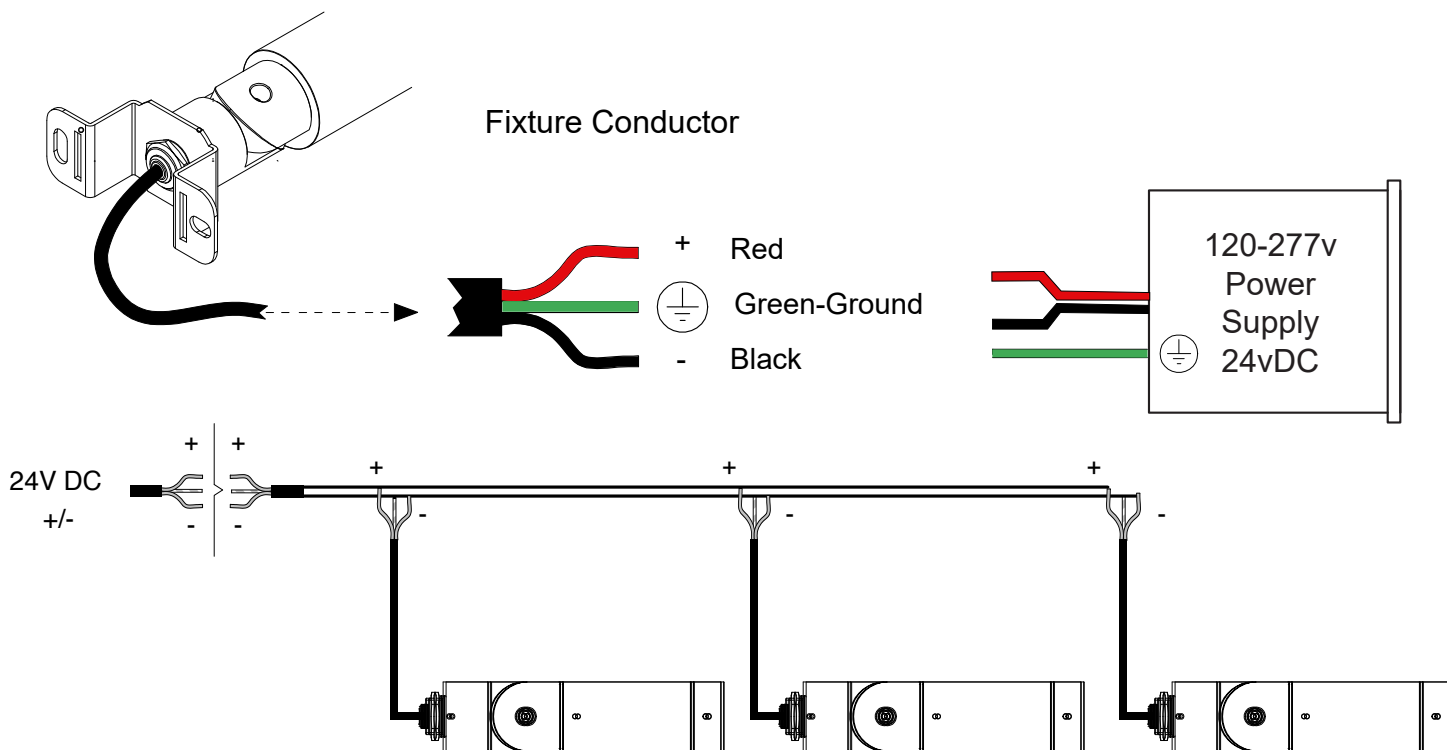
MAX FIXTURES PER DRIVER

Fixture Wattage	Driver Wattage							
	40W	60W	96W	90W	2X90W	3X90W	100W	2X100
Bulletto Mini 8W	4	6	9	9	18	27	10	20
Bulletto 10W	3	4	7	7	14	21	8	16
Bulletto 12W	2	4	6	6	12	18	6	13

Wiring Diagram

Connections can be done either directly into the remote power supply J-Box or into an additional remote J-Box. Simply follow the diagram below to complete a successful connection.

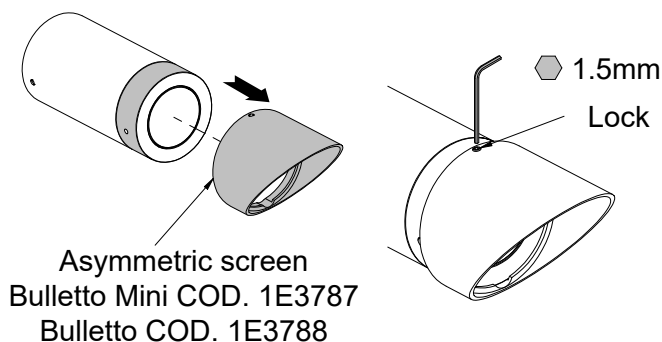
- Use proper UL listed waterproof wire connectors depending on conductor size.
- Ground every fixture accordingly.
- Double check every connection and make sure they are secured.



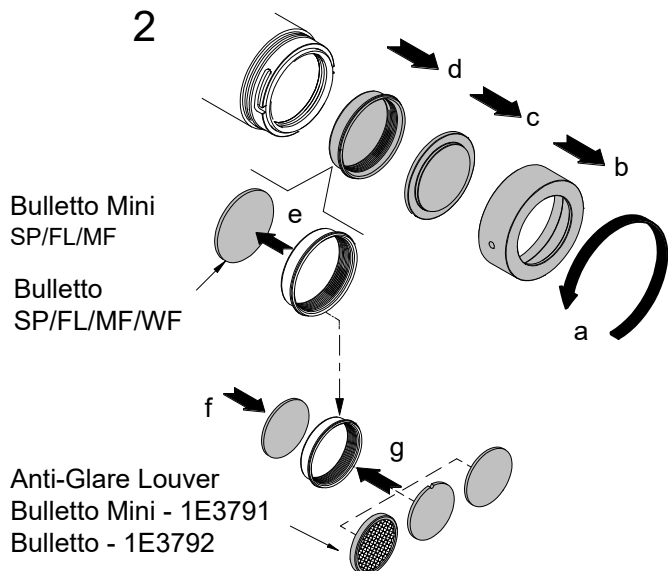
Accessories Installation

The Bulletto Mini and Bulletto Voltage fixture has a wide range of accessories to customize. To change the accessories, first remove the fixture asymmetric screen, (if attached), by loosening the 1.5 mm hex screw using a Allen key (not included). Once the hex screws is removed, remove the asymmetric screen to access the inside to add the filter that the user prefers.

1



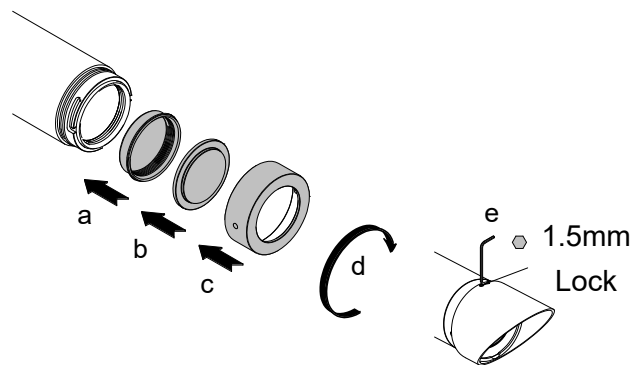
2



Unscrew the head cap to access the internal optical components inside (a). Remove the cap (b) and the lens (c) to access the optical reflector and filter holder (d). Remove the optical reflector from the filter holder (e) to switch the optic type. Then choose the desired filter(f) you wish to add in the filter holder. The filter holder can hold up to three max filters per fixture (g). For the blade of light filter, pick the desired position you want to add the blade of light and attach the filter in the same order as any other filter. See chart below for different types of filters available.

Once the filter(f) have been set, put back the fixture pieces together starting in reverse order with the filter holder (a), the lens (b), and then the cap (c) and screw the cap back on tight clockwise (d). Then reattach the asymmetric screen back on and secure it with the 1.5 mm Allen key (e).

3



ELLIPTICAL FILTER	
BULLETTTO MINI	1E3789
BULLETTTO	1E3790
<p><i>Luminous effect</i></p>	

LUMISHAPE ACCESSORIES		
BULLETTTO MINI	BULLETTTO	
LS02601	LS03601	ROUND PINHOLE
LS02602	LS03602	ROUND CIRCULAR
LS02603	LS03603	SQUARE PINHOLE
LS02604	LS03604	REGULAR SQUARE
LS02605	LS03605	HALF COVER
LS02606	LS03606	QUARTER COVER

Maintenance

This fixture was designed and manufactured for a durable, long lasting use with minimum care. To ensure the maximum lifespan of this product, we encourage our customers to provide a quality visual inspection of the fixture and installation accessories every six months.

If there are any visible signs of issues (i.e moisture or dust) during the inspection, please clean any of the dust or moisture with a soft cloth and check to make sure that any of the fixtures are still operating normally. If there are any issues regarding the fixture, please contact us as we will assist the situation at hand.

Support

Any questions, problems, or comments you have please feel free to contact our Customer Service department during our business hours Monday-Friday 8am-5pm via: Email: usaorders@targetti.com
Phone: (714) 513-1991

Visit our website: <http://www.targettiusa.com>