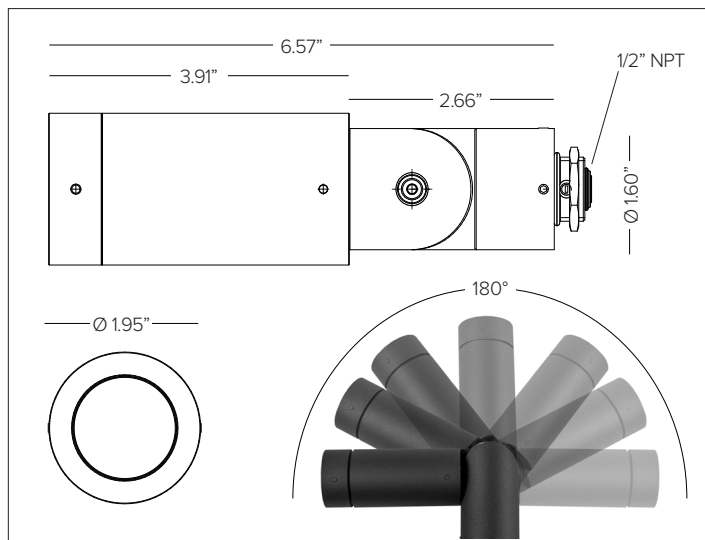


BULLETO

Compact Adjustable Floodlight Projector



BULLETO shown in Ferrite Dark Grey finish.



CONCEPT

Compact projector flood light for high intensity applications.

MECHANICAL CHARACTERISTICS

Housing	1.95" Dia. X 6.57" L
Materials	Aluminum body and joints for maximum heat dissipation.
Finish	Textured finish. ● Ferrite Dark Grey ● Heritage Brown ● Bronze ● Black ● White ● Sandstone Grey
Power Connection	Pre-cabled with 10' Belden direct burial 18ga 3 conductor cable for connection to remote power supply.
Functionality	Modular body for toolless maintenance. IP66 protection rated optical chamber with removable front cap for simple toolless field interchangeability of optics and accessories.
Mounting	Adjustable up to 180° on the vertical surface with aim lock set screw, 360° rotatable on the horizontal axis. Brass counter nut with 1/2" NPS mounting stem suitable for direct j-box mount. Optional installation accessories for additional mountings.
Weight	1.4lbs
Protection	IP66
Impact	IK08

CERTIFICATIONS

cULus Class 2 Wet Location Listed E479873.
 Tested in accordance with LM-79-08.
 Compliant for California installations.
 IEC 62471
 RoHS3 EU 215/863
CEC T24 JA8-2019-E certified, BULLETO in conjunction with DMLE601242UD driver.

WARRANTY

5 year limited warranty
^A Fixture suitable for use in marine grade environments. Not to be in direct contact with salt or corrosive agents for extended periods of time.

SUSTAINABILITY

Luminaire designed for disposal/recycling at end-of-life. Replaceable LED light source and control gear by a Targetti technician.

ELECTRICAL CHARACTERISTICS

Power Supply	Remote Class 2 120V-277V AC power supply required, ordered separately. Flicker free dimming achieved through driver.
Wattage	8W (NSP) / 12W (SP/FL/MFL/WFL)
Voltage	24V DC
Ambient Temp.	-25°C / +35°C (95°F)

SOURCE

High efficiency LED Emitter

TM30	CCT (Nominal)	CRI	Rf	Rg	SDCM
	2700K	90	88	95	2
	3000K	90	91	98	2
	3500K	90	89	96	2
	4000K	90	88	94	2

OPTIC

Optical system is dependent on beam angle. NSP version PMMA lens and fixed holographic filter. SP / FL / MWFL / WFL versions equipped with PMMA lens and interchangeable optical holographic lens, factory preset per specified optic with other beams included in packaging.

Beam	NSP 8°	SP 15°	FL 24°	MWFL 31°	WFL 44°
Delivered Lumens	2700K 362Lm	679Lm	642Lm	648Lm	634Lm
	3000K 394Lm	738Lm	698Lm	704Lm	689Lm
	3500K 421Lm	790Lm	747Lm	753Lm	737Lm
	4000K 421Lm	790Lm	747Lm	753Lm	737Lm
Efficacy	66Lm/W max. Refer to photometric graphs for specific values.				
Lifetime	L96/B10 30,000hrs at max TA +25°C L95/B10 50,000hrs at max TA +25°C L94/B10 80,000hrs at max TA +25°C L93/B10 100,000hrs at max TA +25°C				
Photobiological Classification	Low risk safety RG1				

BULLETTO

SPECIFICATION INFORMATION



1 - PRODUCT CODE	2 - DRIVER	3 - FINISH	4 - WATTAGE	5 - OPTIC	6 - KELVIN	7 - POWER SUPPLY
BLT — BULLETTO	RP — Remote Power	FE — Ferrite Dark Grey HB — Heritage Brown BZ — Bronze WT — White BT — Black SG — Sandstone Grey RAL — Custom RAL	L1 — 8W L2 — 12W	NS — NSP 8° SP — SP 15° FL — FL 24° MF — MWFL 31° WF — WF 44°	27 — 2700K 30 — 3000K 35 — 3500K 40 — 4000K	Power Supply See section for details
8 - OPTICAL ACCESSORIES		9 - INSTALLATION ACCESSORIES		10 - TREE MOUNTING INSTALLATION		
Blade of Light Linear Spread Lens See section for details Anti-glare Louver See section for details Asymmetric Screen See section for details Lumishape See section for details		Surface Mount Bracket See section for details Low Profile Surface Canopy See section for details Earth Spike See section for details Permapost See section for details		Tree Strap See section for details Fixture Bracket See section for details Wiring Connection Box See section for details Mesh Protective Wiring See section for details		

JAS **Compliant** BULLETTO version ONLY in conjunction with DMLE601242UD driver.

OPTIC DETAILS

Fixed Optic (NSP)



Interchangeable Multi Optic (SP / FL / MWFL / WFL)
 Factory preset per specified optic with other beams included in packaging.



BULLETTO

7 - POWER SUPPLY (REQUIRED)

ENCLOSURE								
Part No.	Wattage	Control	Dim Range	Rating	In / Out Voltage	Certification	Dimensions (Enclosure)	Description
DMLE301242UD	30W	MLV / ELV / 0-10V / TRIAC	MLV 10% / ELV 10% / 0-10V 5%	NEMA3R	120-277V / 24V	UL Class 2	4.47" X 6.79" X 1.38"	EMCOD MLE-UD electronic driver with wiring compartment.
DMLE601242UD	60W	MLV / ELV / 0-10V / TRIAC	MLV 10% / ELV 10% / 0-10V 5%	NEMA3R	120-277V / 24V	UL Class 2	4.47" X 6.79" X 1.38"	EMCOD MLE-UD electronic driver with wiring compartment.
DMLE961242UD	96W	MLV / ELV / 0-10V / TRIAC	MLV 10% / ELV 10% / 0-10V 5%	NEMA3R	120-277V / 24V	UL Class 2	5.16" X 7.73" X 1.54"	EMCOD MLE-UD electronic driver with wiring compartment.
DMLE1922242UD	2X96W	MLV / ELV / 0-10V / TRIAC	MLV 10% / ELV 10% / 0-10V 5%	NEMA3R	120-277V / 24V	UL Class 2	5.04" X 10.94" X 1.81"	EMCOD MLE-UD electronic driver with wiring compartment.
DMLE2882242UD	3X96W	MLV / ELV / 0-10V / TRIAC	MLV 10% / ELV 10% / 0-10V 5%	NEMA3R	120-277V / 24V	UL Class 2	5.04" X 10.94" X 1.81"	EMCOD MLE-UD electronic driver with wiring compartment.

MAX FIXTURES PER DRIVER

Fixture Wattage	Driver Wattage				
	30W	60W	96W	2X96W	3X96W
8W	3	6	9	9+9	9+9+9
12W	2	4	7	7+7	7+7+7

BULLETO

8 – OPTICAL ACCESSORIES (OPTIONAL)

MAXIMUM OF TWO ACCESSORIES PER FIXTURE.



Integral 'Blade of Light' linear spread lens PMMA holographic filter.

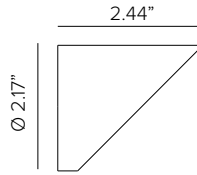
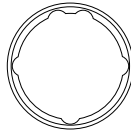
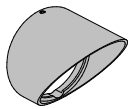
Part No. **1E3790**



Integral honeycomb anti-glare louver.

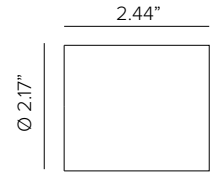
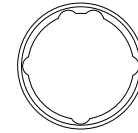
Finish ● Deep Black

Part No. **1E3792**



External asymmetric snoot. Powder coated stainless steel. Cutoff 20°.

Part No. **1E3788 (*)**



External super snoot. Powder coated stainless steel.

Part No. **1E4379 (*)**

- Ferrite Dark Grey (Default)
- Heritage Brown (HB)*
- Bronze (BZ)*
- White (WT)*
- Black (BT)*
- Sandstone Grey (SG)*

***Add suffix to end of number to identify finish (EX. 1E3788HB)**



Water jet cut stainless steel round pinhole LUMISHAPE light shield. **Compatible with NS optic only.**

Finish ● Deep Black

Part No. **LS03601**



Water jet cut stainless steel round circular LUMISHAPE light shield. **Compatible with NS optic only.**

Finish ● Deep Black

Part No. **LS03602**



Water jet cut stainless steel square pinhole LUMISHAPE light shield. **Compatible with NS optic only.**

Finish ● Deep Black

Part No. **LS03603**



Water jet cut stainless steel regular square LUMISHAPE light shield. **Compatible with NS optic only.**

Finish ● Deep Black

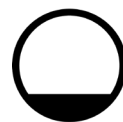
Part No. **LS03604**



Water jet cut stainless steel half LUMISHAPE light shield. **Stackable up to 4pcs per fixture; 4pcs accounts to 1 accessory toward maximum accessory count. Compatible with NS optic only.**

Finish ● Deep Black

Part No. **LS03605**



Water jet cut stainless steel quarter LUMISHAPE light shield. **Stackable up to 4pcs per fixture; 4pcs accounts to 1 accessory toward maximum accessory count. Compatible with NS optic only.**

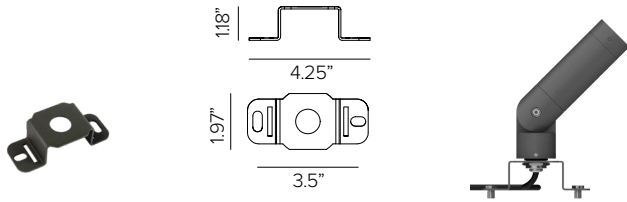
Finish ● Deep Black

Part No. **LS03606**

BULLETO

9 – INSTALLATION ACCESSORIES (OPTIONAL)

MAXIMUM OF ONE ACCESSORY PER FIXTURE



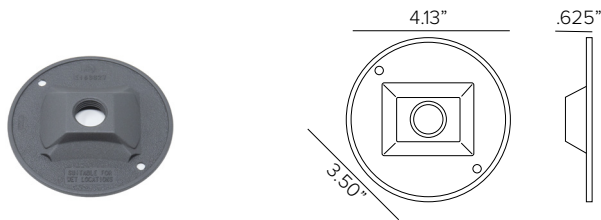
Surface mounting bracket. Powder coated stainless steel.

Part No. **1E3786 (*)**



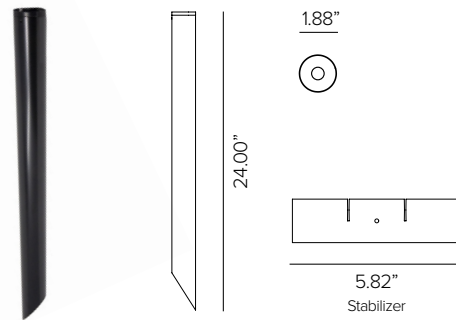
Earth spike. Powder coated stainless steel.

Part No. **1E3785 (*)**



Low Profile surface canopy. Powder coated aluminum with 1/2" NPT to mount over standard 4" Dia. round outdoor j-box.

Part No. **1BLTSMCVR (*)**



Permapost. Aluminum with 1/2" NPT and tea stabilizer.

Finish ● Deep Black

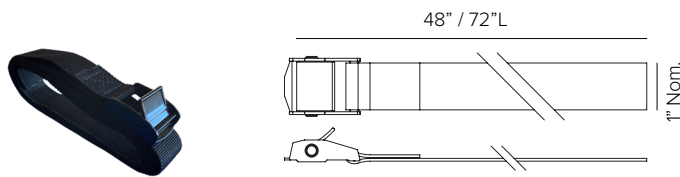
Part No. **PRMP24BK**

- Ferrite Dark Grey (Default)
- Heritage Brown (HB)*
- Bronze (BZ)*
- White (WT)*
- Black (BT)*
- Sandstone Grey (SG)*

***Add suffix to end of number to identify finish (EX. 1E3786HB)**

BULLETTO

10 – TREE MOUNTING INSTALLATION (OPTIONAL)



Tree strap. Durable marine grade polypropylene webbing flexible strap with stainless steel cam buckle. For single configuration, 1ea strap included. For double configuration, 2ea straps included. **(REQUIRED FOR TREE MOUNTING)**

Finish ● Black ● Coyote Brown ● Silver Grey ● Graphite Grey

SINGLE STRAP Maximum of 4ea fixture brackets per single strap.

Length 48"

Part No. **TTS01S48BK** **TTS01S48BR** **TTS01S48SG** **TTS01S48GG**

Length 72"

Part No. **TTS01S72BK** **TTS01S72BR** **TTS01S72SG** **TTS01S72GG**

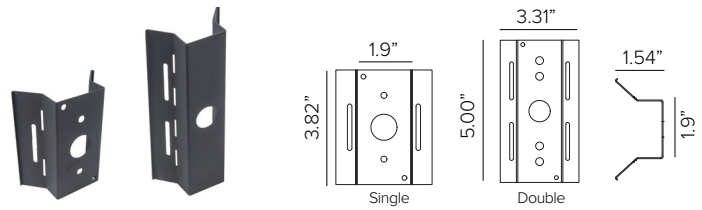
DOUBLE STRAPS Maximum of 8 fixture brackets per double strap.

Length 48"

Part No. **TTS01D48BK** **TTS01D48BR** **TTS01D48SG** **TTS01D48GG**

Length 72"

Part No. **TTS01D72BK** **TTS01D72BR** **TTS01D72SG** **TTS01D72GG**



Fixture bracket comprised of powder coated stainless steel for use with tree strap. Single bracket to be used with single tree strap configuration. Double bracket to be used with double tree strap configuration. **(REQUIRED FOR TREE MOUNTING)**

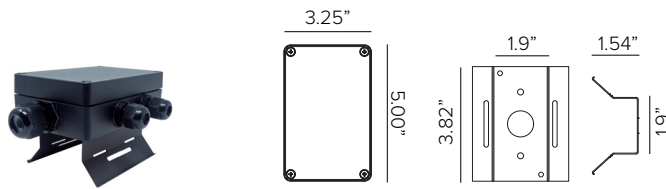
Finish ● Black ● Bronze ● Sandstone Grey ● Ferrite Dark Grey

SINGLE BRACKET Maximum of 4ea fixture brackets per single strap.

Part No. **TTB01SBK** **TTB01SBZ** **TTB01SSG** **TTB01SFG**

DOUBLE BRACKET Maximum of 8 fixture brackets per double strap.

Part No. **TTB01DBK** **TTB01DBZ** **TTB01DSG** **TTB01DFG**



Connection box. Painted aluminum UL listed j-box with single input and 4ea max outputs for lateral cable exit. Provided with 1ea 1/2" cable gland and 4ea 3/8" cable gland, 3ea plugs provided along with mounting bracket, **tree strap sold separately**. Used to connect single 24V DC low voltage cable from remote driver to connection box. For single strap configuration, use 1ea connection box. For double strap configuration, use 2ea connection boxes. **(OPTIONAL)**

Finish ● Black ● Bronze ● Sandstone Grey ● Ferrite Dark Grey

Part No. **TTC02SBK** **TTC02SBZ** **TTC02SSG** **TTC02SFG**



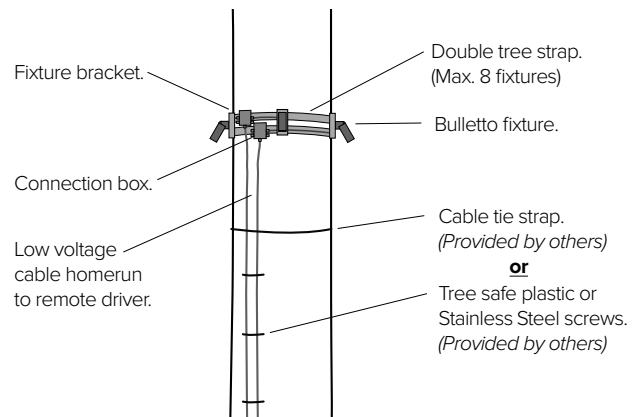
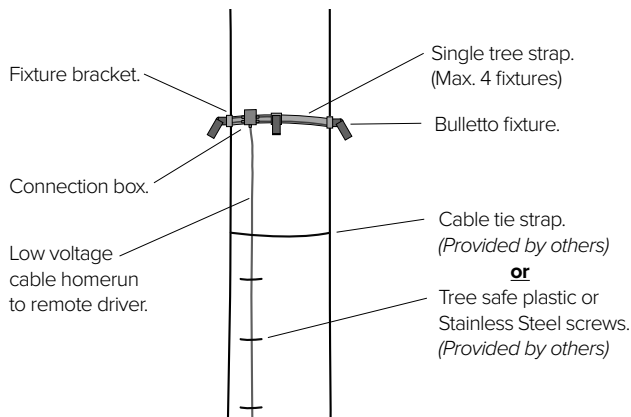
Mesh wire protection cable sleeve, available per foot. Comprised of braided polyethylene terephthalate (PET) mono-filament webbing resistant to chemical degradation, UV radiation, and abrasion. **To be used in installations where multiple cables can be combined into a 'single' cable look and/or to conceal the cable to match the finish of the surface. (OPTIONAL)**

Finish ● Black ● Coyote Brown ● Silver Grey ● Graphite Grey

Part No. **TTMW01BK** **TTMW01BR** **TTMW01SG** **TTMW01GG**

TREE WIRING CONFIGURATION

Note: Suggested to adjust the strap every 6 months in order to prevent tree damage.



BULLETTO

PHOTOMETRY

IES FILES WATTAGE AND EFFICIENCY CALCULATIONS BASED WITH SUPPLIED DRIVER

NARROW SPOT



2700K		H(m)	D(m)	Emax(lx)
Ra90		8°		
Fixture Power	8W	1	0.15	11580
Source Flux	479lm	2	0.30	2895
Fixture Flux	362lm	3	0.44	1287
Efficacy	47lm/W	4	0.59	724
TS1404	Imax=24196cd/klm	Imax	11580cd	5 0.74 463



3000K		H(m)	D(m)	Emax(lx)
Ra90		8°		
Fixture Power	8W	1	0.15	12587
Source Flux	520lm	2	0.30	3147
Fixture Flux	394lm	3	0.44	1399
Efficacy	51lm/W	4	0.59	787
TS1404	Imax=24196cd/klm	Imax	12587cd	5 0.74 503



3500K		H(m)	D(m)	Emax(lx)
Ra90		8°		
Fixture Power	8W	1	0.15	13470
Source Flux	557lm	2	0.30	3367
Fixture Flux	421lm	3	0.44	1497
Efficacy	54lm/W	4	0.59	842
TS1404	Imax=24196cd/klm	Imax	13470cd	5 0.74 539



4000K		H(m)	D(m)	Emax(lx)
Ra90		8°		
Fixture Power	8W	1	0.15	13470
Source Flux	557lm	2	0.30	3367
Fixture Flux	421lm	3	0.44	1497
Efficacy	54lm/W	4	0.59	842
TS1404	Imax=24196cd/klm	Imax	13470cd	5 0.74 539

SPOT



2700K		H(m)	D(m)	Emax(lx)
Ra90		15°		
Fixture Power	12W	1	0.27	6624
Source Flux	908lm	2	0.54	1656
Fixture Flux	679lm	3	0.81	736
Efficacy	57lm/W	4	1.08	414
TS1405	Imax=7292cd/klm	Imax	6624cd	5 1.35 265



3000K		H(m)	D(m)	Emax(lx)
Ra90		15°		
Fixture Power	12W	1	0.27	7200
Source Flux	987lm	2	0.54	1800
Fixture Flux	738lm	3	0.81	800
Efficacy	62lm/W	4	1.08	450
TS1405	Imax=7292cd/klm	Imax	7200cd	5 1.35 288



3500K		H(m)	D(m)	Emax(lx)
Ra90		15°		
Fixture Power	12W	1	0.27	7701
Source Flux	1056lm	2	0.54	1925
Fixture Flux	790lm	3	0.81	856
Efficacy	66lm/W	4	1.08	481
TS1405	Imax=7292cd/klm	Imax	7701cd	5 1.35 308



4000K		H(m)	D(m)	Emax(lx)
Ra90		15°		
Fixture Power	12W	1	0.27	7701
Source Flux	1056lm	2	0.54	1925
Fixture Flux	790lm	3	0.81	856
Efficacy	66lm/W	4	1.08	481
TS1405	Imax=7292cd/klm	Imax	7701cd	5 1.35 308

FLOOD



2700K		H(m)	D(m)	Emax(lx)
Ra90		24°		
Fixture Power	12W	1	0.43	2618
Source Flux	908lm	2	0.85	655
Fixture Flux	642lm	3	1.28	291
Efficacy	54lm/W	4	1.71	164
TS1406	Imax=2883cd/klm	Imax	2618cd	5 2.14 105



3000K		H(m)	D(m)	Emax(lx)
Ra90		24°		
Fixture Power	12W	1	0.43	2846
Source Flux	987lm	2	0.85	712
Fixture Flux	698lm	3	1.28	316
Efficacy	58lm/W	4	1.71	178
TS1406	Imax=2883cd/klm	Imax	2846cd	5 2.14 114



3500K		H(m)	D(m)	Emax(lx)
Ra90		24°		
Fixture Power	12W	1	0.43	3044
Source Flux	1056lm	2	0.85	761
Fixture Flux	747lm	3	1.28	338
Efficacy	62lm/W	4	1.71	190
TS1406	Imax=2883cd/klm	Imax	3044cd	5 2.14 122



4000K		H(m)	D(m)	Emax(lx)
Ra90		24°		
Fixture Power	12W	1	0.43	3044
Source Flux	1056lm	2	0.85	761
Fixture Flux	747lm	3	1.28	338
Efficacy	62lm/W	4	1.71	190
TS1406	Imax=2883cd/klm	Imax	3044cd	5 2.14 122

BULLETTO

PHOTOMETRY

IES FILES WATTAGE AND EFFICIENCY CALCULATIONS BASED WITH SUPPLIED DRIVER

MEDIUM WIDE FLOOD



2700K		H(m)	D(m)	Emax(lx)		
Ra90			31°			
Fixture Power	12W	1	0.55	1741		
Source Flux	908lm	2	1.09	435		
Fixture Flux	648lm	3	1.64	193		
Efficacy	54lm/W	4	2.18	109		
TS1407	I _{max} =1916cd/klm	I _{max}	1741cd	5	2.73	70



3000K		H(m)	D(m)	Emax(lx)		
Ra90			31°			
Fixture Power	12W	1	0.55	1892		
Source Flux	987lm	2	1.09	473		
Fixture Flux	704lm	3	1.64	210		
Efficacy	59lm/W	4	2.18	118		
TS1407	I _{max} =1916cd/klm	I _{max}	1892cd	5	2.73	76



3500K		H(m)	D(m)	Emax(lx)		
Ra90			31°			
Fixture Power	12W	1	0.55	2024		
Source Flux	1056lm	2	1.09	506		
Fixture Flux	753lm	3	1.64	225		
Efficacy	63lm/W	4	2.18	126		
TS1407	I _{max} =1916cd/klm	I _{max}	2024cd	5	2.73	81



4000K		H(m)	D(m)	Emax(lx)		
Ra90			31°			
Fixture Power	12W	1	0.55	2024		
Source Flux	1056lm	2	1.09	506		
Fixture Flux	753lm	3	1.64	225		
Efficacy	63lm/W	4	2.18	126		
TS1407	I _{max} =1916cd/klm	I _{max}	2024cd	5	2.73	81

WIDE FLOOD



2700K		H(m)	D(m)	Emax(lx)		
Ra90			44°			
Fixture Power	12W	1	0.82	916		
Source Flux	908lm	2	1.63	229		
Fixture Flux	634lm	3	2.45	102		
Efficacy	53lm/W	4	3.27	57		
TS1408	I _{max} =1009cd/klm	I _{max}	916cd	5	4.08	37



3000K		H(m)	D(m)	Emax(lx)		
Ra90			44°			
Fixture Power	12W	1	0.82	996		
Source Flux	987lm	2	1.63	249		
Fixture Flux	689lm	3	2.45	111		
Efficacy	57lm/W	4	3.27	62		
TS1408	I _{max} =1009cd/klm	I _{max}	996cd	5	4.08	40



3500K		H(m)	D(m)	Emax(lx)		
Ra90			44°			
Fixture Power	12W	1	0.82	1065		
Source Flux	1056lm	2	1.63	266		
Fixture Flux	737lm	3	2.45	118		
Efficacy	61lm/W	4	3.27	67		
TS1408	I _{max} =1009cd/klm	I _{max}	1065cd	5	4.08	43



4000K		H(m)	D(m)	Emax(lx)		
Ra90			44°			
Fixture Power	12W	1	0.82	1065		
Source Flux	1056lm	2	1.63	266		
Fixture Flux	737lm	3	2.45	118		
Efficacy	61lm/W	4	3.27	67		
TS1408	I _{max} =1009cd/klm	I _{max}	1065cd	5	4.08	43