

TARGETTI

CCT LED ARCHITECTURAL ADJUSTABLE 6" Professional Adjustable LED Downlight

Concept: Professional single COB LED in 6" aperture recessed adjustable downlight.

Housings: Non-IC plaster frame or IC/Airtight housing available.

Materials: Painted black die-cast aluminium body & heat sink.

Trim Accessories: Multiple styles and finishes of matte polycarbonate trims and secondary reflectors available.

Optic: Available in Spot or Flood. Hybrid (reflective-refractive) system with high reflectance anodized aluminum reflector, black polycarbonate structure with PMMA (Spot) or optical glass (Flood) lens and holographic filter. Wide Flood and Medium Wide Flood available with dedicated optic groups equipped with proprietary methacrylate lens or precision optics with convex facets made of superpure aluminum. Matte metallic polycarbonate secondary reflector.

Mounting: Tool-free spring-clip mounting system into Targetti recessed housings. Decorative trim ring mounted after fixture installation with twist lock attachment.

Driver: Driver available as Electronic Phase or 0-10V dimmable. Also available with EldoLED 0-10V, Eco (1%) and Solo (0.1%) dimmable drivers.

Wattage: 29W and 37W standard

Color Temperature: 2700K and 3000K standard, 84 & 97 CRI standard.

Voltage: 120-277V AC 50/60Hz, 120V or 277V must be specified for correct thermal protector.

IP: IP20, IP43

Certifications: Damp rated cULus listed to UL1598 & UL8750

IC/Air tight housing version is Chicago Plenum Rated.

Tested in accordance with LM-79-08

Warranty: 5 year limited warranty



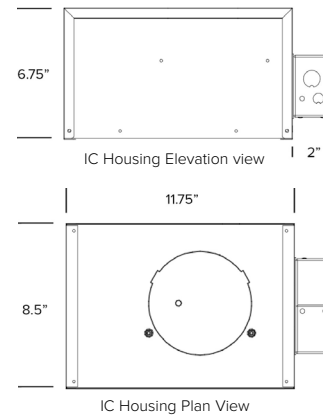
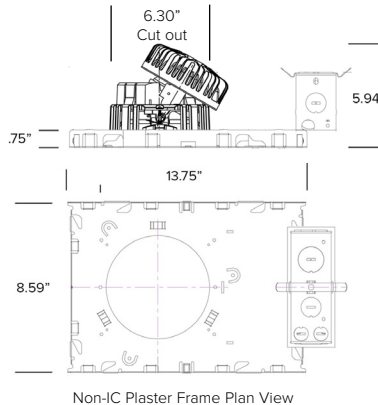
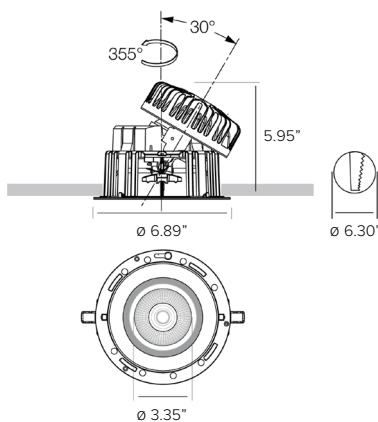
Lumens:	3000°K		2700°K	
	29W	37W	29W	37W
Spot 15° =	2220Lm	—	2086Lm	—
Spot 21° =	—	2721Lm	—	2558Lm
Flood 30° =	2209Lm	2708Lm	2076Lm	2546Lm
Medium Wide Flood 45° =	2268Lm	2781Lm	2131Lm	2614Lm
Wide Flood 60° =	2300Lm	2820Lm	2162Lm	2651Lm

PRODUCT CODE	DRIVER	OPTICS	WATTAGE	COLOR TEMP	CRI	HOUSING	VOLTAGE	+	TRIM & REFLECTOR
CCD-A CCT Adjustable	EP ¹ — Electronic Phase Dimmable	NS — Narrow Spot 15°	L1 — 29W	27 — 2700K	84 — 84 CRI	NC — Non-IC Plaster Frame	1 — 120		Required
	10 — 0-10V	FL — Flood 30°		30 — 3000K	97 — 97 CRI	IC ² — IC/Air Tight Housing	2 — 277		(See Pg 2)
	E1 — Eldo 1%	MW — Medium Wide Flood 45°							
	E0 — Eldo 0.1%	WF — Wide Flood 60°							
		SP — Spot 21°	L2 — 37W						
		FL — Flood 30°							
		MW — Medium Wide Flood 45°							
		WF — Wide Flood 60°							

¹ Electronic phase dimmable available for 120V only.

² IC/Air tight housing suitable for Chicago Plenum rated installation.

Views



TARGETTI

CCT LED ARCHITECTURAL ADJUSTABLE

TRIM (REQUIRED)	
1T2935	Round White Trim
1T3530	Round Black Trim
Consult Factory	Plaster ring for trimless concave effect. Cutout Ø 14.45". To be completed with one round trim ring listed above.



1T2935



1T3530



Consult Factory

SECONDARY REFLECTOR (REQUIRED) * Factory Installed	
1T3422	White
1T3139	Black
1T3138	Specular



Secondary Reflector

ACCESSORIES	
1T3424	Chromatic Filter - Red
1T3425	Chromatic Filter - Green
1T3426	Chromatic Filter - Blue
1T3427	Chromatic Filter - Yellow
1T3428	Chromatic Filter - Magenta
1T3431	Gold Tone Filter
1T3429	Cold Tone filter
1T3430	Peach Tone Filter
1T3141	Blade of Light Filter
1T3140	Diffusion Filter
1T3423	Honey Comb Louver
1T3142	Cut-Off Tube
1T3432	Zoom



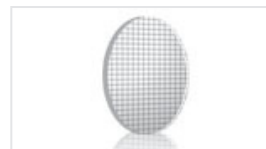
Chromatic Filter



Tone Filter



1T3141



1T3140



1T3423



1T3142



1T3432

TARGETTI

CCT LED ARCHITECTURAL ADJUSTABLE

Photometric Information

SPOT		POLAR GRAPH	CONE OF LIGHT	
Fixture Power	29W		(Ft)	Max Med
Fixture Output	2086Lm 2220Lm		ftcd ftcd	
Kelvin Temp	2700°K 3000°K		2.00	5111 3322
Beam Spread	SP 15° SP 15°		4.00	1278 830
I _{Max}	7830cd/klm 7830cd/klm		6.00	568 369
Efficacy	72 Lm/W 77 Lm/W		8.00	319 208
			10.00	204 133

FLOOD		POLAR GRAPH	CONE OF LIGHT	
Fixture Power	29W		(Ft)	Max Med
Fixture Output	2076Lm 2209Lm		ftcd ftcd	
Kelvin Temp	2700°K 3000°K		2.00	2363 1519
Beam Spread	FL 30° FL 30°		4.00	591 380
I _{Max}	2950cd/klm 2950cd/klm		6.00	263 169
Efficacy	72 Lm/W 76 Lm/W		8.00	148 95
			10.00	95 61

MEDIUM WIDE FLOOD		POLAR GRAPH	CONE OF LIGHT	
Fixture Power	29W		(Ft)	Max Med
Fixture Output	2131Lm 2268Lm		ftcd ftcd	
Kelvin Temp	2700°K 3000°K		2.00	1061 653
Beam Spread	MWF 45° MWF 45°		4.00	265 163
I _{Max}	1655cd/klm 1655cd/klm		6.00	118 73
Efficacy	73 Lm/W 78 Lm/W		8.00	66 41
			10.00	42 28

WIDE FLOOD		POLAR GRAPH	CONE OF LIGHT	
Fixture Power	29W		(Ft)	Max Med
Fixture Output	2162Lm 2300Lm		ftcd ftcd	
Kelvin Temp	2700°K 3000°K		2.00	738 412
Beam Spread	WF 60° WF 60°		4.00	185 103
I _{Max}	1142cd/klm 1142cd/klm		6.00	82 46
Efficacy	75 Lm/W 79 Lm/W		8.00	46 26
			10.00	30 16

TARGETTI

CCT LED ARCHITECTURAL ADJUSTABLE

Photometric Information (Continued)

SPOT		POLAR GRAPH	CONE OF LIGHT	
Fixture Power	37W		(Ft)	Max Med
Fixture Output	2558Lm 2721Lm		Alpha=8.8°-8.8° G=0.0° Beta=8.8°-8.8°	ftcd ftcd
Kelvin Temp	2700°K 3000°K		2.00	6266 4072
Beam Spread	SP 21° SP 21°		4.00	1566 1018
I _{Max}	7829cd/klm 7829cd/klm		6.00	696 452
Efficacy	69 Lm/W 74 Lm/W	8.00	392 254	
		10.00	251 163	

FLOOD		POLAR GRAPH	CONE OF LIGHT	
Fixture Power	37W		(Ft)	Max Med
Fixture Output	2546Lm 2708Lm		Alpha=14.1°-14.1° G=0.0° Beta=14.1°-14.1°	ftcd ftcd
Kelvin Temp	2700°K 3000°K		2.00	2363 1519
Beam Spread	FL 30° FL 30°		4.00	591 380
I _{Max}	2953cd/klm 2953cd/klm		6.00	263 169
Efficacy	69 Lm/W 73 Lm/W	8.00	148 95	
		10.00	95 61	

MEDIUM WIDE FLOOD		POLAR GRAPH	CONE OF LIGHT	
Fixture Power	37W		(Ft)	Max Med
Fixture Output	2614Lm 2781Lm		Alpha=22.3°-22.3° G=0.0° Max not at G Beta=22.3°-22.3°	ftcd ftcd
Kelvin Temp	2700°K 3000°K		2.00	1301 800
Beam Spread	MWF 45° MWF 45°		4.00	325 200
I _{Max}	1655cd/klm 1655cd/klm		6.00	145 89
Efficacy	71 Lm/W 75 Lm/W	8.00	81 50	
		10.00	52 32	

WIDE FLOOD		POLAR GRAPH	CONE OF LIGHT	
Fixture Power	37W		(Ft)	Max Med
Fixture Output	2651Lm 2820Lm		Alpha=29.4°-29.4° G=0.0° Max not at G Beta=29.4°-29.4°	ftcd ftcd
Kelvin Temp	2700°K 3000°K		2.00	905 506
Beam Spread	WF 60° WF 60°		4.00	226 126
I _{Max}	1142cd/klm 1142cd/klm		6.00	101 56
Efficacy	72 Lm/W 76 Lm/W	8.00	57 32	
		10.00	36 20	