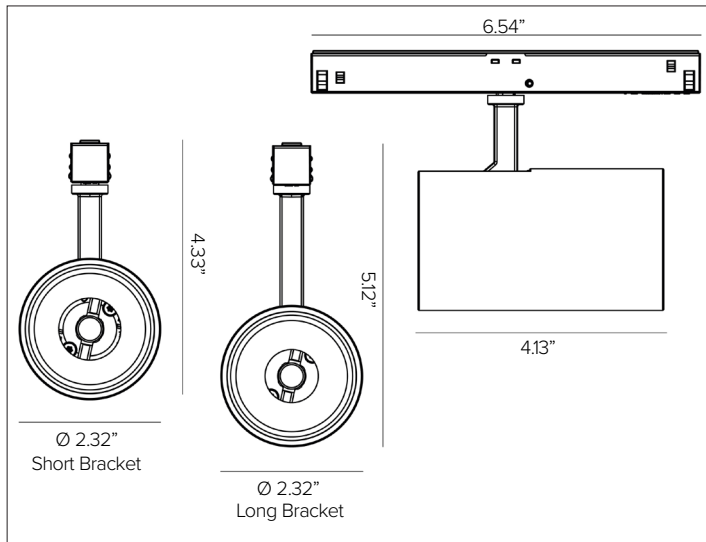


FORTYEIGHT LABEL 6

Low Voltage LED Track Projector



FORTYEIGHT LABEL 6 shown in Deep Black finish.



CONCEPT

Professional low voltage adjustable LED track projector.

MECHANICAL CHARACTERISTICS

Dimensions	2.32" Diameter x 4.13" D
Materials	Die-cast aluminum finished body.
Finish	● Plaster White ● Deep Black
Power Connection	To be completed with FORTYEIGHT MULTISYSTEM low voltage polarized track. Not 'Hot Swap' capable. Power to the track must be turned off for removal, replacement, or movement of the fixture.
Functionality	Tool-less installation, utilizing a mechanical fixture system that mounts to FORTYEIGHT MULTISYSTEM track system. NOTE: Max of 4 connectors or 30ft of track per individual 96W power supply and/or 90W. Can be used in combination with FORTYEIGHT fixture range to maximum of 90W per 96W, 48V driver.
Mounting	FORTYEIGHT MULTISYSTEM track system, sold separately. Surface version NOT compatible with FORTYEIGHT RECESSED DEEP TRIMLESS track. Fixture can be vertically adjusted from 0° to 90° and horizontally up to 420° with friction locking system.
Weight	0.29lbs
Protection	IP20

CERTIFICATIONS

cULus Class 2 SELV Listed E485491
 Tested in accordance with LM-79-08.
 Compliant for California installations
 RoHS3 EU 215/863

WARRANTY

5 year limited warranty.

SUSTAINABILITY

Luminaire designed for disposal/recycling at end-of-life. Replaceable LED light source and control gear by a Targetti technician.

ELECTRICAL CHARACTERISTICS

Power Supply	Remote 48V driver required, refer to FORTYEIGHT MULTISYSTEM track spec sheet.
Wattage	15W
Voltage	48V
Control	0-10V to 1% or DALI / Wireless Bluetooth Casambi to 0% Note: Control cable wired directly to track from dimming interface, not through remote driver. 0-10V group fixture control. For individual fixture control DALI or wireless DALI/Casambi. For wireless bluetooth control via Casambi, use DALI fixture in combination with APP1-M-CO-9519 wireless control interface, refer to FORTYEIGHT MULTISYSTEM track specification sheet for detailed information.

SOURCE

High efficiency LED Chip on Board

TM30	CCT (Nominal)	CRI	Rf	Rg	SDCM
	2700K	90	92	99	1.5
	3000K	90	92	101	1.5
	3500K	90	91	100	1.5
	4000K	90	90	98	1.5

OPTIC

Optical system is dependent on beam angle. SP / FL versions comprised of metalized polycarbonate precision optics with opaque black silicone cut off ring. MWFL version comprised of convex faceted highly reflective anodized aluminum precision optic with opaque black silicone cut off ring.

Beam	SP 16°	FL 31°	MWFL 48°
Delivered Lumens	2700K 1265Lm	1332Lm	1320Lm
	3000K 1316Lm	1386Lm	1373Lm
	4000K 1337Lm	1408Lm	1395Lm
	<i>For 3500K lumen values use multiplier of 1.02 from 3000K.</i>		
Efficacy	97 Lm/W max. Refer to photometric graphs for specific values.		
Lifetime	L92/B10 >30,000hrs at max TA +25°C L90/B10 >50,000hrs at max TA +25°C		
Photobiological Classification	Low risk photobiological safety RG1		

FORTYEIGHT LABEL 6

SPECIFICATION INFORMATION

48	LA	6								10	11
1	2	3	4	5	6	7	8	9		REQUIRED	OPTIONAL

Ex: 48LA610SL2SP27PW

1 - PRODUCT CODE	2 - TYPE	3 - SIZE	4 - ADAPTER	5 - STEM	6 - WATTAGE	7 - OPTICS	8 - KELVIN	9 - FINISH
48 — FORTYEIGHT	LA — LABEL	6 — 2.32" Dia.	10 — 0-10V DA ^A — DALI/Wireless Casambi	S ^B — Short L — Long	L2 — 15W	SP — SP 16° FL — FL 31° MW — MWFL 48°	27 — 2700K 30 — 3000K 35 — 3500K 40 — 4000K	PW — Plaster White DB — Deep Black

10 - TRACK	11 - OPTICAL ACCESSORIES
<p>REQUIRED</p> <p>To be completed with FORTYEIGHT MULTISYSTEM TRACK RECESSED TRIMLESS DEEP or SURFACE / SUSPENSION</p>	<p>Anti-Glare Louver See section for details</p> <p>Blade of Light Linear Spread Lens See section for details</p>

^A For wireless bluetooth control via Casambi, use DALI fixture in combination with APP1-M-CO-9519 wireless control interface.
^B Not compatible with Recessed Deep Trimless Track.

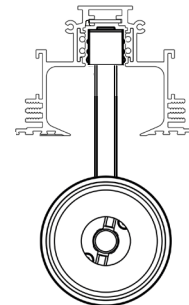
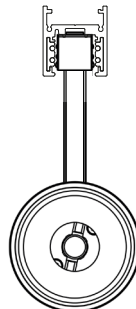
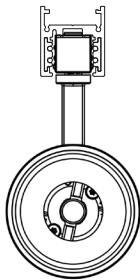
MOUNTING COMPATIBILITY

FORTYEIGHT MULTISYSTEM SURFACE/SUSPENSION TRACK shown with FORTYEIGHT LABEL 6 (S) SHORT STEM fixture version.

FORTYEIGHT MULTISYSTEM SURFACE/SUSPENSION TRACK shown with FORTYEIGHT LABEL 6 (L) LONG STEM fixture version.

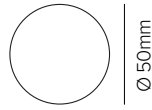
FORTYEIGHT RECESSED TRIMLESS DEEP TRACK shown with FORTYEIGHT LABEL 6 (L) LONG STEM fixture version.

NOTE: (S) SHORT STEM fixture version NOT compatible with FORTYEIGHT RECESSED TRIMLESS DEEP TRACK.



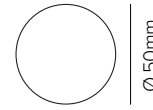
FORTYEIGHT LABEL 6

11 – ACCESSORIES (OPTIONAL)



'Blade of Light' linear spread lens. PMMA holographic filter.

Part No. **1T4721**



Anti-glare louver. Lacquered metal honeycomb structure. Complete with holographic diffusion filter.

Finish ● Deep Black

Part No. **1T4322**

FORTYEIGHT LABEL 6

PHOTOMETRY

SPOT



2700K		H(m)	D(m)	Emax(lx)		
Ra90			16°			
Fixture Power	15W	1	0.28	10322		
Source Flux	1723lm	2	0.55	2580		
Fixture Flux	1265lm	3	0.83	1147		
Efficacy	87lm/W	4	1.11	645		
TS1068	Imax=5990cd/klm	Imax	10322cd	5	1.39	413



3000K		H(m)	D(m)	Emax(lx)		
Ra90			16°			
Fixture Power	15W	1	0.28	10741		
Source Flux	1793lm	2	0.55	2685		
Fixture Flux	1316lm	3	0.83	1193		
Efficacy	91lm/W	4	1.11	671		
TS1068	Imax=5990cd/klm	Imax	10741cd	5	1.39	430



4000K		H(m)	D(m)	Emax(lx)		
Ra90			16°			
Fixture Power	15W	1	0.28	10909		
Source Flux	1821lm	2	0.55	2727		
Fixture Flux	1337lm	3	0.83	1212		
Efficacy	92lm/W	4	1.11	682		
TS1068	Imax=5990cd/klm	Imax	10909cd	5	1.39	436

FLOOD



2700K		H(m)	D(m)	Emax(lx)		
Ra90			31°			
Fixture Power	15W	1	0.56	4238		
Source Flux	1723lm	2	1.12	1059		
Fixture Flux	1332lm	3	1.67	471		
Efficacy	92lm/W	4	2.23	265		
TS1069	Imax=2460cd/klm	Imax	4238cd	5	2.79	170



3000K		H(m)	D(m)	Emax(lx)		
Ra90			31°			
Fixture Power	15W	1	0.56	4410		
Source Flux	1793lm	2	1.12	1102		
Fixture Flux	1386lm	3	1.67	490		
Efficacy	96lm/W	4	2.23	276		
TS1069	Imax=2460cd/klm	Imax	4410cd	5	2.79	176



4000K		H(m)	D(m)	Emax(lx)		
Ra90			31°			
Fixture Power	15W	1	0.56	4479		
Source Flux	1821lm	2	1.12	1120		
Fixture Flux	1408lm	3	1.67	498		
Efficacy	97lm/W	4	2.23	280		
TS1069	Imax=2460cd/klm	Imax	4479cd	5	2.79	179

MEDIUM WIDE FLOOD



2700K		H(m)	D(m)	Emax(lx)		
Ra90			48°			
Fixture Power	15W	1	0.88	2361		
Source Flux	1723lm	2	1.77	590		
Fixture Flux	1320lm	3	2.65	262		
Efficacy	91lm/W	4	3.53	148		
TS1070	Imax=1378cd/klm	Imax	2374cd	5	4.41	94



3000K		H(m)	D(m)	Emax(lx)		
Ra90			48°			
Fixture Power	15W	1	0.88	2457		
Source Flux	1793lm	2	1.77	614		
Fixture Flux	1373lm	3	2.65	273		
Efficacy	95lm/W	4	3.53	154		
TS1070	Imax=1378cd/klm	Imax	2471cd	5	4.41	98



4000K		H(m)	D(m)	Emax(lx)		
Ra90			48°			
Fixture Power	15W	1	0.88	2495		
Source Flux	1821lm	2	1.77	624		
Fixture Flux	1395lm	3	2.65	277		
Efficacy	96lm/W	4	3.53	156		
TS1070	Imax=1378cd/klm	Imax	2510cd	5	4.41	100