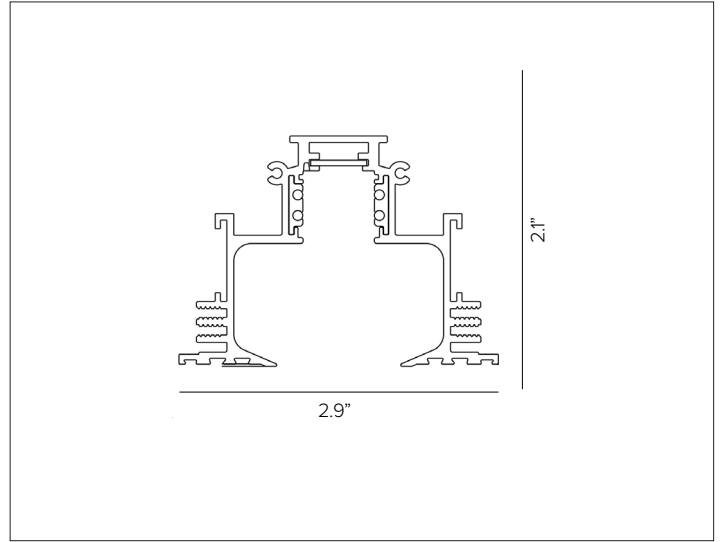
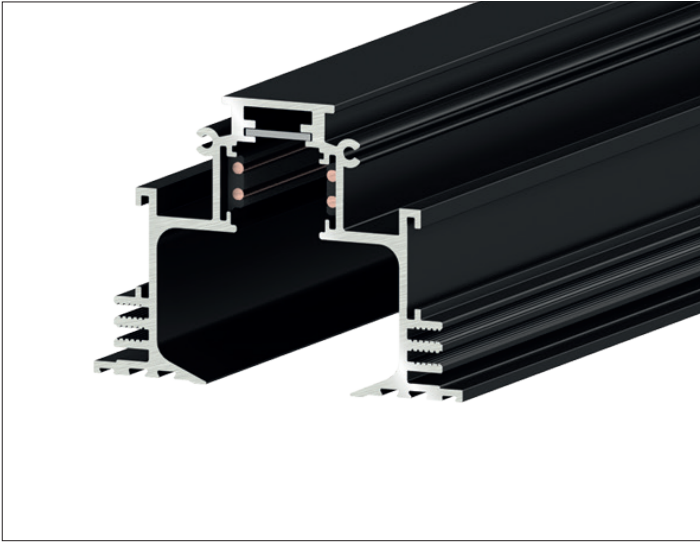


FORTYEIGHT MULTISYSTEM EVO - RECESSED DEEP TRIMLESS

Recessed Deep Trimless Track System



CONCEPT

Recessed deep trimless mounted electrified track system.

MECHANICAL CHARACTERISTICS

Dimensions	2.9"W X 2.1"H
Materials	Aluminum track with PVC insulated copper conductors that feed electricity to the fixture and provide attachment support.
Finish	<input type="radio"/> White <input checked="" type="radio"/> Black
Power Connection	Mechanical electrical polarized connections.
Functionality	Different mounting configurations are achievable using electrical feeds and connectors that make it possible to build a simple or complex systems.
Mounting	To be installed in surface (wall or ceiling). Different configurations achieved through available mounting options.
Protection	IP20

ELECTRICAL CHARACTERISTICS

Power Supply	Remote power supply options available.
Voltage	48V DC. Max max of 4 connectors per individual power supply.
Circuit	1 circuit, 4 conductor
Control	0-10V to 1% DALI / Wireless Bluetooth Casambi to 0% Control

CERTIFICATIONS

cULus Class 2 SELV Listed.
RoHS3 EU 215/863

WARRANTY

5 year limited warranty.

FORTYEIGHT MULTISYSTEM EVO - RECESSED DEEP TRIMLESS

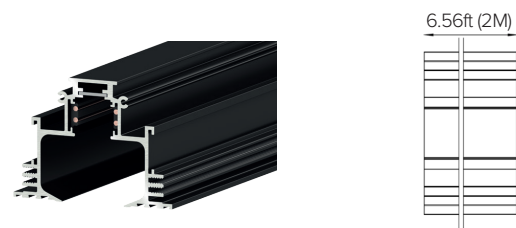
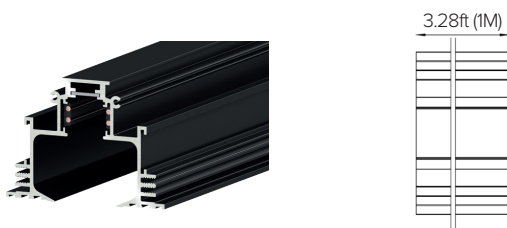
SPECIFICATION INFORMATION



Ex: 9500-UL1/B-TA1-E / 1T6801 / S-9000/T / 9501-S-KL/B-E / S-9500/315 / DELV30148DJBX

1 - TRACK	2 - END CAP	3 - CUTTING TOOL	4 - MOUNTING	5 - MECHANICAL JOINT CONNECTOR	6 - ELECTRICAL FEED	7 - INTERFACE	8 - POWER SUPPLY	9 - CONTROLLER
REQUIRED	REQUIRED	REQUIRED	REQUIRED	OPTIONAL	REQUIRED	OPTIONAL	REQUIRED	OPTIONAL

1 - TRACK (REQUIRED)



FORTYEIGHT MULTISYSTEM recessed deep trimless track, field cuttable with specialized tool (REQUIRED).

Finish White Black

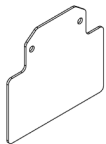
Part No. **9500-UL1/W2-TA1-E** **9500-UL1/B-TA1-E**

FORTYEIGHT MULTISYSTEM recessed deep trimless track, field cuttable with specialized tool (REQUIRED).

Finish White Black

Part No. **9500-UL2/W2-TA1-E** **9500-UL2/B-TA1-E**

2 - END CAP (REQUIRED)

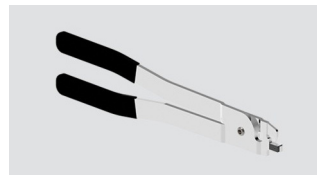


FORTYEIGHT MULTISYSTEM recessed deep trimless track metal end cap, 2pcs.

Finish White Black

Part No. **1T7171** **1T6801**

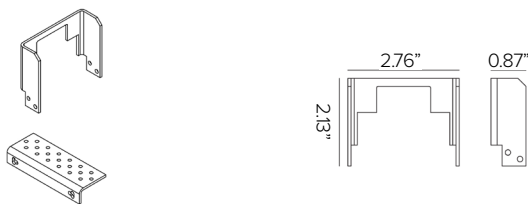
3 - CUTTING TOOL (REQUIRED)



Cutting tool for track conductors.

Part No. **S-9000/T**

4 - MOUNTING (REQUIRED)



FORTYEIGHT MULTISYSTEM recessed deep track structural mounting support bracket kit. Includes 4ea lateral brackets and 2ea bridge brackets. REQUIRED 1 kit per 1M track and 2kits for 2M track.

Part No. **1T9583**

5 - MECHANICAL JOINT CONNECTOR (OPTIONAL)



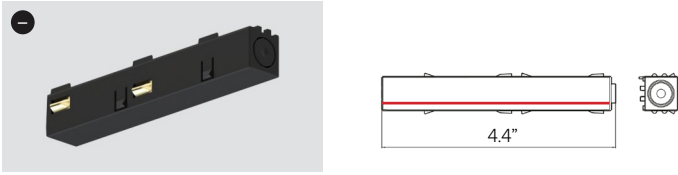
FORTYEIGHT MULTISYSTEM linear joint connector, 2pcs. REQUIRED for use when two tracks intersect to create an interconnected track.

Finish White Black

Part No. **S-9500/314-W2** **S-9500/314-B**

FORTYEIGHT MULTISYSTEM EVO - RECESSED DEEP TRIMLESS

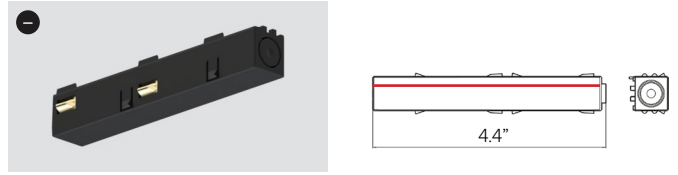
4 - ELECTRICAL FEED (REQUIRED)



FORTYEIGHT MULTISYSTEM linear end feed polarity left.

Finish White Black

Part No. **9501-S-KL/W-E** **9501-S-KL/B-E**

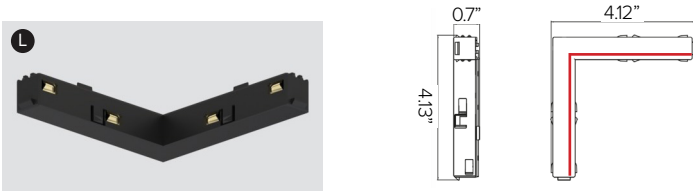


FORTYEIGHT MULTISYSTEM linear end feed polarity right.

Finish White Black

Part No. **9501-S-KR/W-E** **9501-S-KR/B-E**

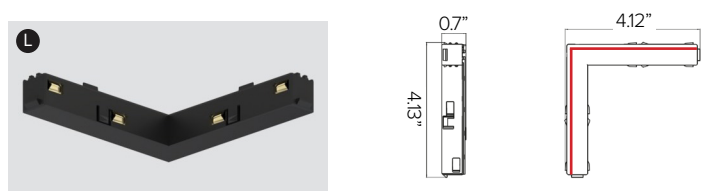
5 - ELECTRICAL CONNECTOR (OPTIONAL)



FORTYEIGHT MULTISYSTEM L – Polarized electrical joint connector, internal polarity.
Max of 5 connectors per individual power supply.

Finish White Black

Part No. **9511-KI/W-E** **9511-KI/B-E**



FORTYEIGHT MULTISYSTEM L – Polarized electrical joint connector, external polarity.
Max of 5 connectors per individual power supply.

Finish White Black

Part No. **9511-KE/W-E** **9511-KE/B-E**



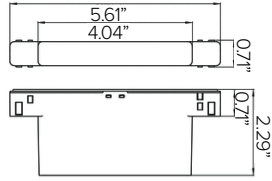
FORTYEIGHT MULTISYSTEM Linear – Polarized electrical joint connector.
Max of 5 connectors per individual power supply.

Finish White Black

Part No. **9503-S-K/W-E** **9503-S-K/B-E**

FORTYEIGHT MULTISYSTEM EVO - RECESSED DEEP TRIMLESS

7 – INTERFACE (OPTIONAL)



FORTYEIGHT MULTISYSTEM wireless bluetooth interface. Generates a local bus per run for individual fixture control for up to 96W max or 64 fixtures. Can control fixtures in indoor applications via [Casambi wireless bluetooth protocol](#). **Only to be used with Dali/Wireless Bluetooth Casambi version of FORTYEIGHT fixture range.**

Finish White Black

Part No. **APP1-M-C0-9519/W-E** **APP1-M-C0-9519/B-E**

8 - POWER SUPPLY (REQUIRED)

ENCLOSURE						
Part No.	Wattage	Rating	In / Out Voltage	Certification	Dimensions (Enclosure)	Description
PS062	100W	NEMA3R	120-277V / 48V	UL-SELV	6.3" x 10.79" x 2.17"	MEAN WELL HLG ELECTRONIC DRIVER MOUNTED IN UL LISTED ENCLOSURE.
PS063	150W	NEMA3R	120-277V / 48V	UL-SELV	6.3" x 10.79" x 2.17"	MEAN WELL HLG ELECTRONIC DRIVER MOUNTED IN UL LISTED ENCLOSURE.
PS064	185W	NEMA3R	120-277V / 48V	UL-SELV	6.3" x 10.79" x 2.17"	MEAN WELL HLG ELECTRONIC DRIVER MOUNTED IN UL LISTED ENCLOSURE.
PS065	240W	NEMA3R	120-277V / 48V	UL-SELV	6.3" x 10.79" x 2.17"	MEAN WELL HLG ELECTRONIC DRIVER MOUNTED IN UL LISTED ENCLOSURE.

MAX CABLE DISTANCE			
Driver Wattage	Max. Overall Distance	Example Track Length	Estimated Lead Wire (provided by others)
100W	160FT	26FT	134FT
150W	120FT	26FT	94FT
185W	65FT	26FT	39FT
200W	60FT	26FT	34FT
240W	48FT	26FT	22FT

*Voltage drop calculations are based on 18gu wire.

9 - CONTROLLER (OPTIONAL)

COMPATIBLE WITH WIRELESS BLUE TOOTH CASAMBI VERSION ONLY FOR INDIVIDUAL FIXTURE CONTROL.



Casambi Xpress remote controller, indoor mounted only. Four programmable presets. CR2430 battery (Included). **For DALI / Wireless Bluetooth Casambi control only. Each controller can program up to 4ea APP1-M-C0-9519 interfaces.**

Finish White Black

Part No. **SWITCH26** **SWITCH25**