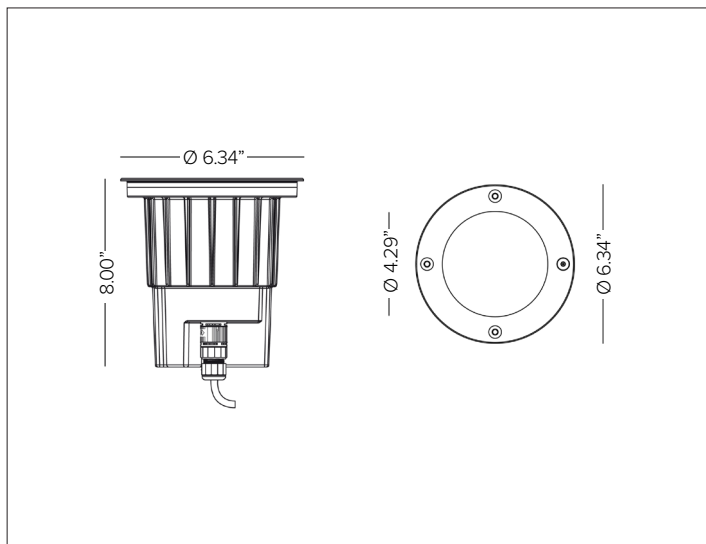


KEPLERO MINI HIGH EFFICACY FACTORY SEALED

Professional Inground LED Fixture



KEPLERO® Mini HE Factory Sealed with brushed natural trim and clear lens



CONCEPT

Factory sealed compact high performance inground for even illumination with maximum efficiency.

MECHANICAL CHARACTERISTICS

Housing	8"H x 6.34"Dia. Housing.
Materials	Anodized marine grade cathaphoresis ^A die-cast aluminum heat sink body with PVC installation sleeve. AISI316L stainless steel trim ring with beveled edge with extra clear glass lens.
Finish	● Brushed Natural ● Bronze PVD* ● Black PVD* *Physical Vapor Deposition.
Power Connection	Provided with 4ft SJ00W 16-6 cable and DSMT anti-wicking quick disconnect to direct burial brass ingrade j-box (required, sold separately).
Functionality	Light beam is fixed at 0° on the vertical axis. Consult factory for preset tilt angles.
Mounting	Flush, semi-flush or raised tube mountings. Installation sleeve for flush or semi-flush mountings includes optional stainless steel "L" brackets for additional mounting support. Fixture equipped with fastening holes and stainless steel screws for attachment into installation sleeve assembly.
Weight	2.43lbs
Protection	IP68 ^B / IP69K
Impact	IK10
Load	Resistant to static loads up to 4,496lbs in flush mounted cement and pavement installations.

CERTIFICATIONS

cULus Wet Location Listed.
 Tested in accordance with LM-79-08.
 Compliant for California installations.
 IEC 62471
 RoHS3 EU 215/863

SUSTAINABILITY

Luminaire designed for disposal/recycling at end-of-life. Replaceable LED light source and control gear by a Targetti technician.

ELECTRICAL CHARACTERISTICS

Power Supply	Integral 4/1 smart driver (Non-Dimmable / 0-10V / Reverse Phase / Forward Phase).
Wattage	14W
Voltage	Universal Voltage 120-277V AC 50/60Hz

SOURCE

High efficiency LED Chip on Board.

TM30	CCT (Nominal)	CRI	Rf	Rg	SDCM
	2700K	80	82	96	2
	3000K	80	83	96	2
	3500K	80	83	95	2
	4000K	80	82	95	2

Ra90 available upon request

OPTIC

Highly reflective metallic polycarbonate optic.

Beam	SP 11°	FL 18°	MWFL 40°
Delivered Lumens	3000K 1387Lm	1397Lm	1384Lm
	4000K 1423Lm	1434Lm	1420Lm

For 2700K lumen values use multiplier of 0.96 from 3000K For 3500K lumen values use multiplier of 1.02 from 3000K.

Efficacy	102Lm/W max. Refer to photometric graphs for specific values.
Lifetime	L92/B10 30,000hrs at max TA +25°C L90/B10 50,000hrs at max TA +25°C
Photobiological Classification	Low risk safety RG1

WARRANTY

5 year limited warranty.

^A Fixture body complete with marine grade cathaphoresis suitable for use in marine grade environments. Stainless steel trim will need to be maintained and cleaned regularly to avoid mineral deposits. Not to be in direct contact with salt or corrosive agents for extended periods of time.

^B Temporary immersion up to 24 hours at a max depth of 2 meters. Installation of fixture requires proper drainage to prevent any standing water. Should not be used for permanent submersion.

KEPLERO MINI HIGH EFFICACY FACTORY SEALED

SPECIFICATION INFORMATION

KPLMFS

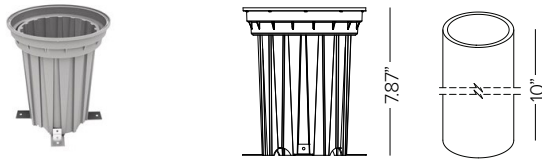


1 - PRODUCT CODE	2 - TYPE	3 - OPTICS	4 - KELVIN	5 - INTEGRAL OPTICAL ACCESSORIES	6 - TRIM
KPLMFS — KEPLERO MINI	HE — High Efficacy	S — SP 11° F — FL 18° M — MWFL 40°	27 — 2700K 30 — 3000K 35 — 3500K 40 — 4000K	— — No Optical Accessory LV — Honeycomb anti glare grid BL — Parallel ribbed glass light blade filter HM — Half Moon Anti glare shutter	RN — Round Natural RB — Round Bronze RK — Round Black

7 - INSTALLATION	8 - INSTALLATION ACCESSORIES
Flush Mount Sleeve See section for details Raised Tube See section for details Junction Box See section for details	Fixture Removal Tool See section for details

KEPLERO MINI HIGH EFFICACY FACTORY SEALED

7 - INSTALLATION (REQUIRED)



Installation sleeve for concrete pour applications. Grey Nylon casing with PVC installation outer pipe. For flush or semi-flush installations. **Required for use with 1DU2530 by NEC.**

Part No. **1DU2521**



At grade or raised installation sleeve for turf or ground cover applications. 12"H stainless steel, includes factory pre-installed inner PVC installation sleeve. **To be used with round trim options only. Not suitable for use with 1DU2521 or 1DU2522.** (Field cuttable. Used for fixture elevations at grade to 3" above grade). **Required for use with 1DU2530 by NEC.**

Finish ● Deep Black

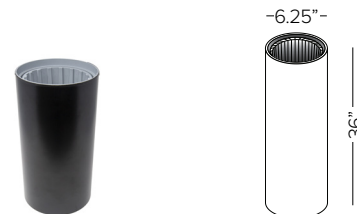
Part No. **1DU434412**



Raised installation sleeve for ground cover (succulents and low level planting) applications. 18"H stainless steel, includes factory pre-installed inner PVC sleeve. **To be used with round trim options. Not suitable with 1DU2521 or 1DU2522.** (Field cuttable. Used for fixture elevation 7" above grade). **Required for use with 1DU2530 by NEC.**

Finish ● Deep Black

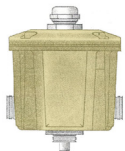
Part No. **1DU434418**



Raised installation sleeve for landscape applications. 36"H stainless steel, includes factory pre-installed inner PVC sleeve. **To be used with round trim options. Not suitable with 1DU2521 or 1DU2522.** (Field cuttable. Used for fixture elevation 21" above grade). **Required for use with 1DU2530 by NEC.**

Finish ● Deep Black

Part No. **1DU4344**



Direct burial brass ingrade j-box. Features stainless steel cover screws and strain relief for power cord, (2) 3/4" NPT bottom holes and (2) 3/4" NPT side holes. Includes (4) 3/4" to 1/2" adapters and (2) 1/2" NPT plugs. **(REQUIRED by NEC).**

Part No. **1DU2530**

8 - INSTALLATION (OPTIONAL)



Fixture metal maintenance removal handle. Helpful one per 10 fixtures.

Part No. **1E2524**

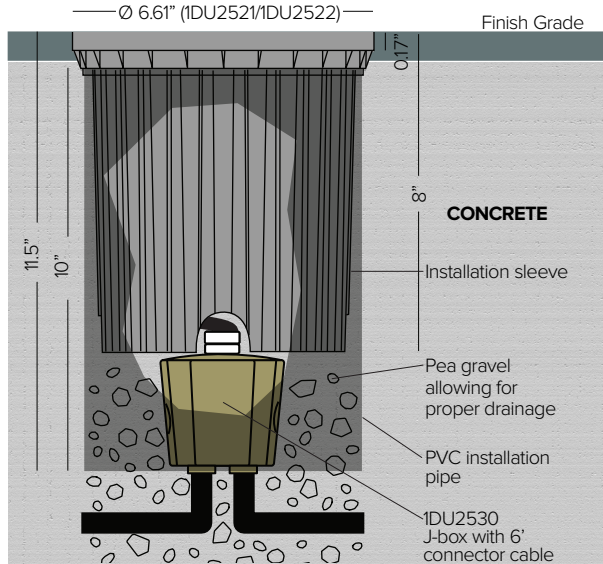
KEPLERO MINI HIGH EFFICACY FACTORY SEALED

INSTALLATION DIAGRAM

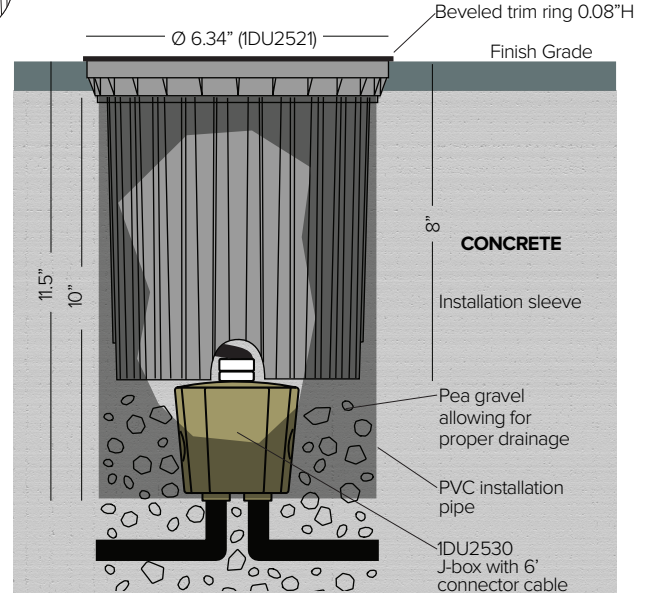
CONCRETE POUR APPLICATION



Flush Mount Sleeve Assembly
1DU2521 and 1DU2522 Sleeves



Semi-Flush Mount Sleeve Assembly
1DU2521 Sleeve Only



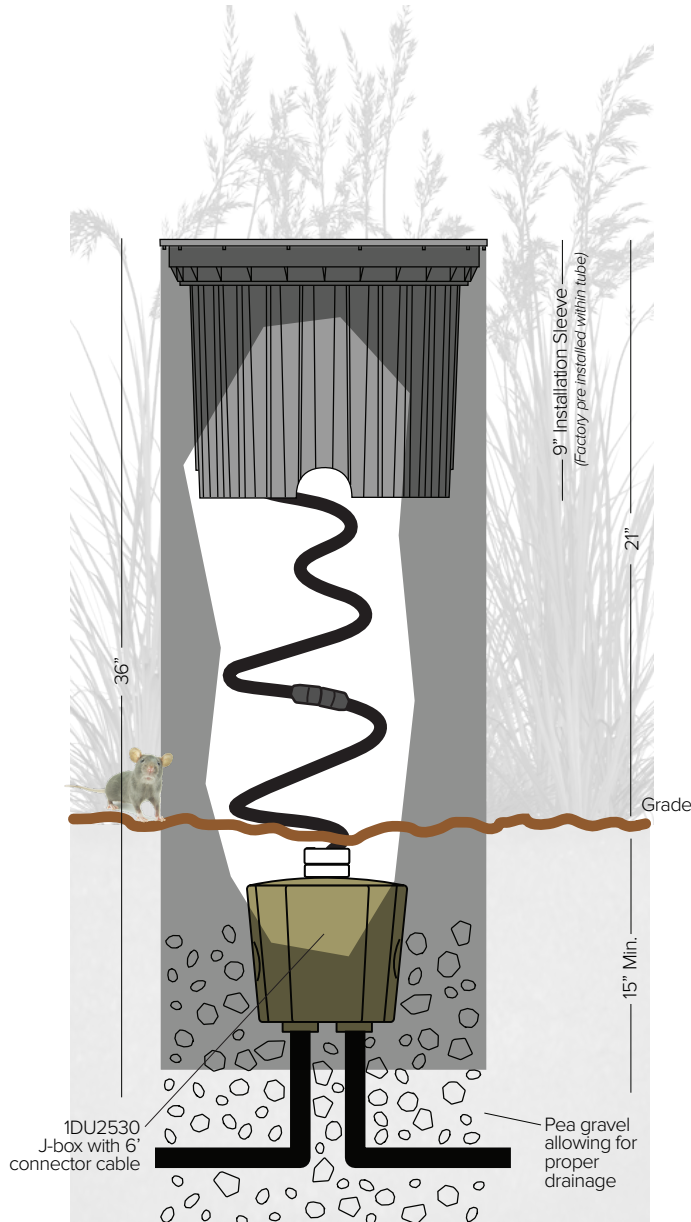
KEPLERO MINI HIGH EFFICACY FACTORY SEALED

INSTALLATION DIAGRAM

LANDSCAPE APPLICATION

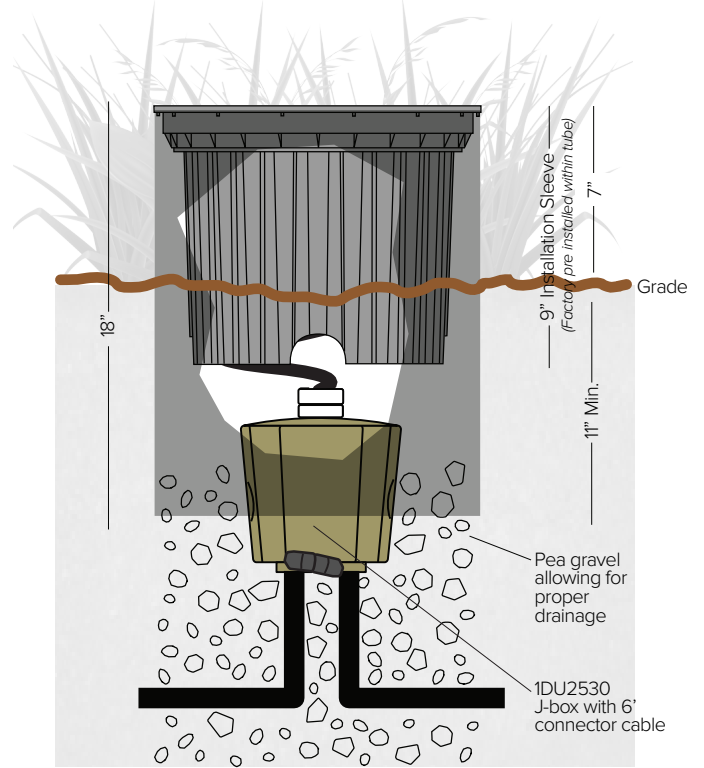
RAISED TUBE INSTALLATION ASSEMBLY

Recommended for Landscape Installation
1DU4344 with Round Trim ONLY



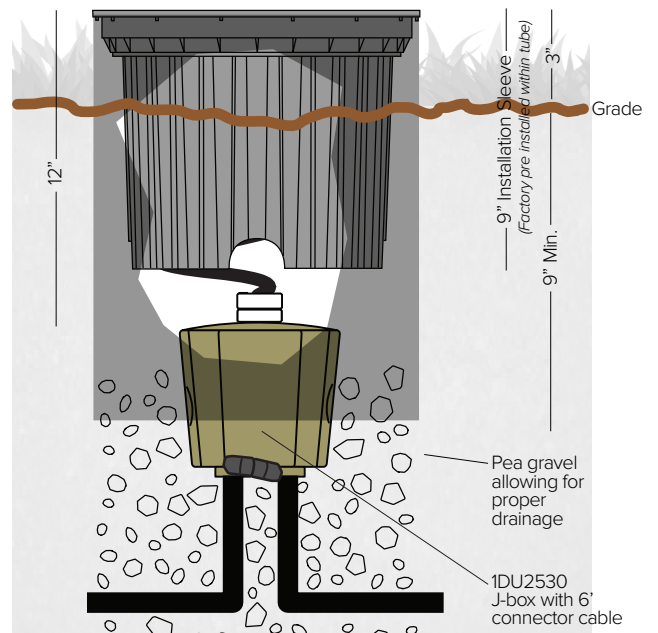
RAISED TUBE INSTALLATION ASSEMBLY

Recommended for Ground Level Installation
1DU434418 with Round Trim ONLY



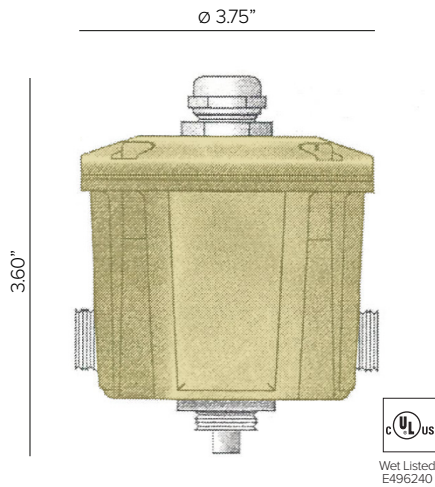
RAISED TUBE INSTALLATION ASSEMBLY

Recommended for Turf Installation
1DU434412 with Round Trim ONLY



KEPLERO MINI HIGH EFFICACY FACTORY SEALED

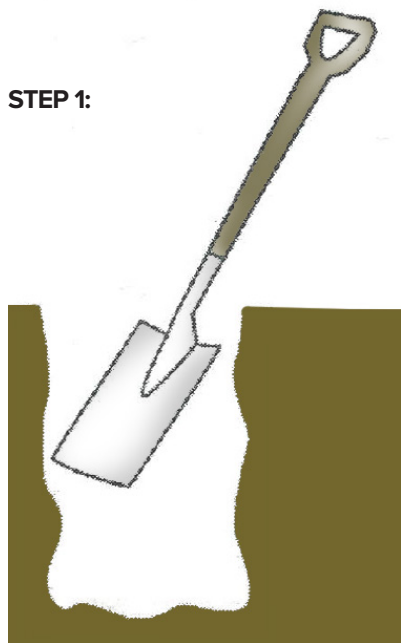
INSTALLATION DIAGRAM - 1DU2530 J-Box



Brass junction box is supplied with the following components:

- (4) 3/4" side/bottom NPT holes
- (4) 1/2" reduction NPT adapters
- (2) 1/2" cap plugs

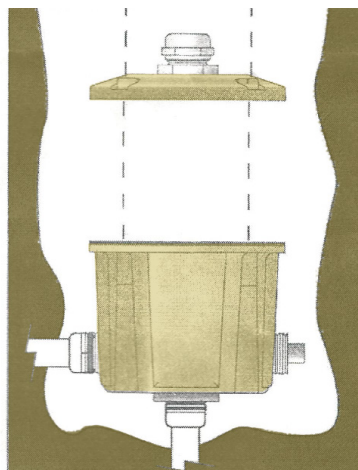
NOTE: Box fill size = 15.94 IN³



STEP 1:

Dig a hole large enough to accommodate the junction box.

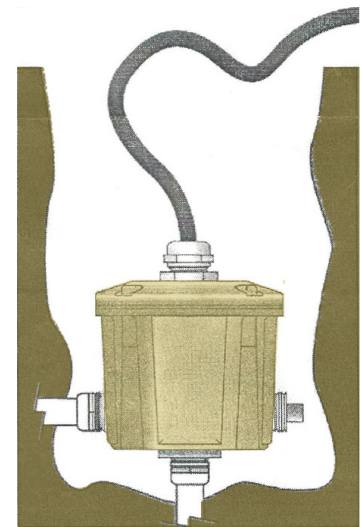
STEP 2:



Connect brass junction box to conduit system. Seal conduit entries inside junction box with a good grade RTV sealant per sealant manufacturer's instructions.

Note: Drainage must be in place below junction box.

STEP 3:



Seal threads. Tighten locking screw on bottom of cover. Connect all wires observing polarity (i.e. green-to-ground, white-to-common, and black-to-voltage). Provided with 1/2" strain relief.

KEPLERO MINI HIGH EFFICACY FACTORY SEALED

PHOTOMETRY

SPOT

3000K		H(m)	D(m)	Emax(lx)		
Ra84			11°			
Fixture Power	14W	1	0.20	17736		
Source Flux	1775lm	2	0.39	4434		
Fixture Flux	1387lm	3	0.59	1971		
Efficacy	103lm/W	4	0.79	1109		
TS821	I _{max} =9992cd/klm	I _{max}	17736cd	5	0.99	709

4000K		H(m)	D(m)	Emax(lx)		
Ra84			11°			
Fixture Power	14W	1	0.20	18196		
Source Flux	1821lm	2	0.39	4549		
Fixture Flux	1423lm	3	0.59	2022		
Efficacy	105lm/W	4	0.79	1137		
TS821	I _{max} =9992cd/klm	I _{max}	18196cd	5	0.99	728

FLOOD

3000K		H(m)	D(m)	Emax(lx)		
Ra84			18°			
Fixture Power	14W	1	0.31	7969		
Source Flux	1775lm	2	0.63	1992		
Fixture Flux	1397lm	3	0.94	885		
Efficacy	104lm/W	4	1.25	498		
TS822	I _{max} =4490cd/klm	I _{max}	7969cd	5	1.57	319

4000K		H(m)	D(m)	Emax(lx)		
Ra84			18°			
Fixture Power	14W	1	0.31	8175		
Source Flux	1821lm	2	0.63	2044		
Fixture Flux	1434lm	3	0.94	908		
Efficacy	106lm/W	4	1.25	511		
TS822	I _{max} =4490cd/klm	I _{max}	8175cd	5	1.57	327

MEDIUM WIDE FLOOD

3000K		H(m)	D(m)	Emax(lx)		
Ra84			40°			
Fixture Power	14W	1	0.73	2861		
Source Flux	1775lm	2	1.47	715		
Fixture Flux	1384lm	3	2.20	318		
Efficacy	102lm/W	4	2.93	179		
TS823	I _{max} =1624cd/klm	I _{max}	2882cd	5	3.67	114

4000K		H(m)	D(m)	Emax(lx)		
Ra84			40°			
Fixture Power	14W	1	0.73	2935		
Source Flux	1821lm	2	1.47	734		
Fixture Flux	1420lm	3	2.20	326		
Efficacy	105lm/W	4	2.93	183		
TS823	I _{max} =1624cd/klm	I _{max}	2957cd	5	3.67	117