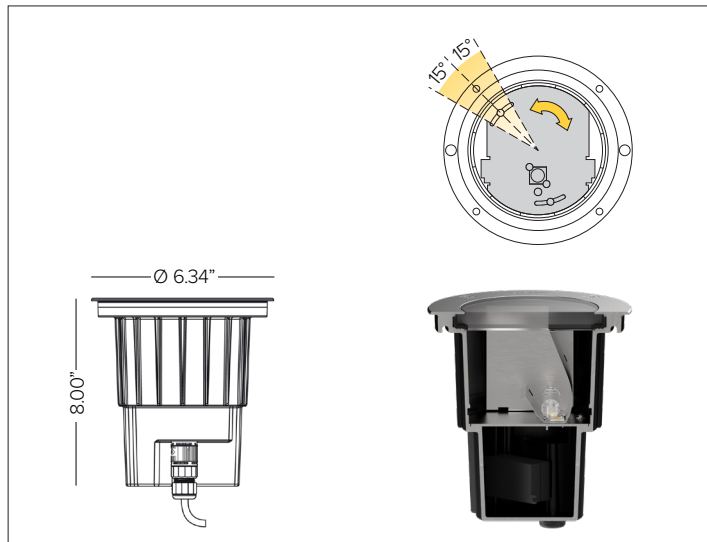


KEPLERO MINI WALL WASHER

Professional Inground LED Fixture



KEPLERO® Mini Wall Washer with brushed natural trim and clear lens



CONCEPT

Compact inground wall wash equipped with uniform illumination of vertical surfaces and excellent light diffusion at the ground level.

MECHANICAL CHARACTERISTICS

Housing	8"H x 6.34"Dia. Housing.
Materials	Anodized marine grade cataphoresis ^A die-cast aluminum heat sink body with PVC installation sleeve. AISI316L stainless steel trim ring with beveled edge with extra clear glass lens.
Finish	<input type="radio"/> Brushed Natural <input type="radio"/> Bronze PVD* <input type="radio"/> Black PVD* *Physical Vapor Deposition.
Power Connection	Provided with 4ft SJ00W 16-6 cable and DSMT anti-wicking quick disconnect to direct burial brass ingrade j-box (required, sold separately).
Functionality	Adjustable +/- 15° optic rotation on the vertical axis.
Mounting	Flush, semi-flush or raised tube mountings. Installation sleeve for flush or semi-flush mountings includes optional stainless steel 'L' brackets for additional mounting support. Fixture equipped with fastening holes and stainless steel screws for attachment into installation sleeve assembly.
Weight	2.43lbs
Protection	IP68 ^B / IP69K
Impact	IK10
Load	Resistant to static loads up to 4,496lbs in flush mounted cement and pavement installations.

CERTIFICATIONS

cULus Wet Location Listed.
 Tested in accordance with LM-79-08.
 Compliant for California installations.
 IEC 62471
 RoHS3 EU 215/863

WARRANTY

5 year limited warranty.

^A Fixture body complete with marine grade cataphoresis suitable for use in marine grade environments. Stainless steel trim will need to be maintained and cleaned regularly to avoid mineral deposits. Not to be in direct contact with salt or corrosive agents for extended periods of time.

^B Temporary immersion up to 24 hours at a max depth of 2 meters. Installation of fixture requires proper drainage to prevent any standing water. Should not be used for permanent submersion.

ELECTRICAL CHARACTERISTICS

Power Supply	Integral 4/1 smart driver (Non-Dimmable / 0-10V / Reverse Phase / Forward Phase).
Wattage	14W
Voltage	Universal Voltage 120-277V AC 50/60Hz
Ambient Temp.	-25°C / +35°C (95°F)

SOURCE

High efficiency LED Chip on Board.

TM30	CCT (Nominal)	CRI	Rf	Rg	SDCM
	2700K	80	82	96	2
	3000K	80	85	94	2
	3500K	80	83	95	2
	4000K	80	85	95	2

Ra90 available upon request

OPTIC

Comprised of PMMA lens with high reflectance asymmetric anodized aluminum reflector and integral holographic filter.



Beam	WW 84° x 34°
Delivered Lumens	2700K 918Lm 3000K 968Lm 4000K 980Lm

For 3500K lumen values use multiplier of 1.01 from 3000K.

Efficacy	72Lm/W max. Refer to photometric graphs for specific values.
Lifetime	L95/B10 30,000hrs at max TA +25°C L94/B10 50,000hrs at max TA +25°C
Photobiological Classification	Low risk safety RG1

SUSTAINABILITY

Luminaire designed for disposal/recycling at end-of-life. Replaceable LED light source and control gear by a Targetti technician.

KEPLERO MINI WALL WASHER

SPECIFICATION INFORMATION

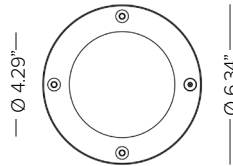


1 - PRODUCT CODE	2 - DRIVER	3 - TYPE	4 - WATTAGE	5 - KELVIN
KPLM — KEPLERO MINI	41 — 4/1 Smart Dimming (Non-Dimming / 0-10V / Reverse Phase / Forward Phase)	WW — Wall Wash	L1 — 14W	27 — 2700K 30 — 3000K 35 — 3500K 40 — 4000K
6 - TRIM	7 - INSTALLATION	8 - INSTALLATION ACCESSORIES		
Round Trim Ring See section for details Square Trim Ring See section for details	Flush Mount Sleeve See section for details Raised Tube See section for details Junction Box See section for details	Torx Key See section for details Fixture Removal Tool See section for details Glass Removal Tool See section for details		

KEPLERO MINI WALL WASHER

6 - TRIM (REQUIRED)

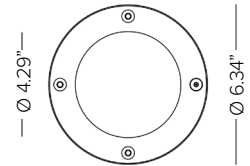
ROUND TRIM RING



Round stainless steel (AISI316L) decorative ring. 10mm thick extra clear protective glass. Silicone gasket. Tamper proof (AISI316L) Torx screws.

Finish ● Brushed Natural ● Bronze PVD ● Black PVD

Part No. **1E2525** **1DU2525B** **1DU2525K**

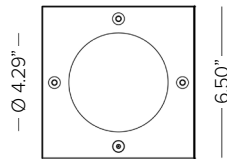


Round stainless steel (AISI316L) decorative ring with anti-slip glass. 10mm thick extra clear protective glass. Silicone gasket. Tamper proof (AISI316L) Torx screws.

Finish ● Brushed Natural ● Bronze PVD ● Black PVD

Part No. **1DU2525A** **1DU2525BA** **1DU2525KA**

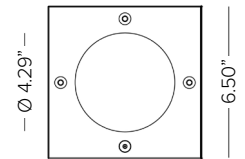
SQUARE TRIM RING



Square stainless steel (AISI316L) decorative ring. 10mm thick extra clear protective glass. Silicone gasket. Tamper proof (AISI316L) Torx screws.

Finish ● Brushed Natural

Part No. **1E2526**



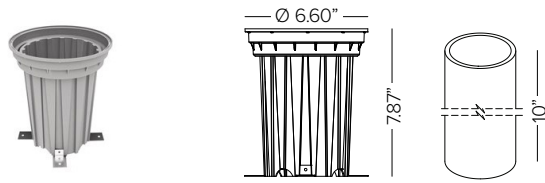
Square stainless steel (AISI316L) decorative ring. 10mm thick extra clear protective glass. Silicone gasket. Tamper proof (AISI316L) Torx screws.

Finish ● Brushed Natural

Part No. **1DU2526A**

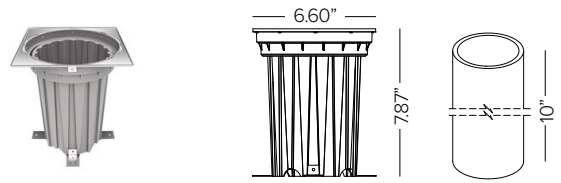
KEPLERO MINI WALL WASHER

7 - INSTALLATION (REQUIRED)



Installation sleeve for concrete pour applications. Grey Nylon casing with PVC installation outer pipe. For flush or semi-flush installations. **Required for use with 1DU2530 by NEC.**

Part No. **1DU2521**



Installation sleeve for concrete pour applications. Grey Nylon casing and stainless steel profile with PVC installation outer pipe. Square ring for flush installation only. **For use with square trim options only. Required for use with 1DU2530 by NEC.**

Part No. **1DU2522**



At grade or raised installation sleeve for turf or ground cover applications. 12"H stainless steel, includes factory pre-installed inner PVC installation sleeve. **To be used with round trim options only. Not suitable for use with 1DU2521 or 1DU2522.** (Field cuttable. Used for fixture elevations at grade to 3" above grade). **Required for use with 1DU2530 by NEC.**

Finish ● Deep Black

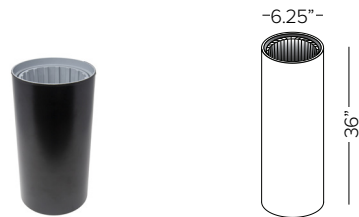
Part No. **1DU4344-12**



Raised installation sleeve for ground cover (succulents and low level planting) applications. 18"H stainless steel, includes factory pre-installed inner PVC sleeve. **To be used with round trim options. Not suitable with 1DU2521 or 1DU2522.** (Field cuttable. Used for fixture elevation 7" above grade). **Required for use with 1DU2530 by NEC.**

Finish ● Deep Black

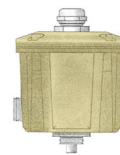
Part No. **1DU4344-18**



Raised installation sleeve for landscape applications. 36"H stainless steel, includes factory pre-installed inner PVC sleeve. **To be used with round trim options. Not suitable with 1DU2521 or 1DU2522.** (Field cuttable. Used for fixture elevation 21" above grade). **Required for use with 1DU2530 by NEC.**

Finish ● Deep Black

Part No. **1DU4344**



Direct burial brass ingrade j-box. Features stainless steel cover screws and strain relief for power cord, (2) 3/4" NPT bottom holes and (2) 3/4" NPT side holes. Includes (4) 3/4" to 1/2" adapters and (2) 1/2" NPT plugs. **(REQUIRED by NEC).**

Part No. **1DU2530**

8 - INSTALLATION (OPTIONAL)



Fixture metal maintenance removal handle. Helpful one per 10 fixtures.

Part No. **1E2524**



Anti-vandal torx head. Helpful one per 5 fixtures.

Part No. **1E2495**



Glass suction removal tool. Helpful one per 20 fixtures.

Part No. **1E0388**

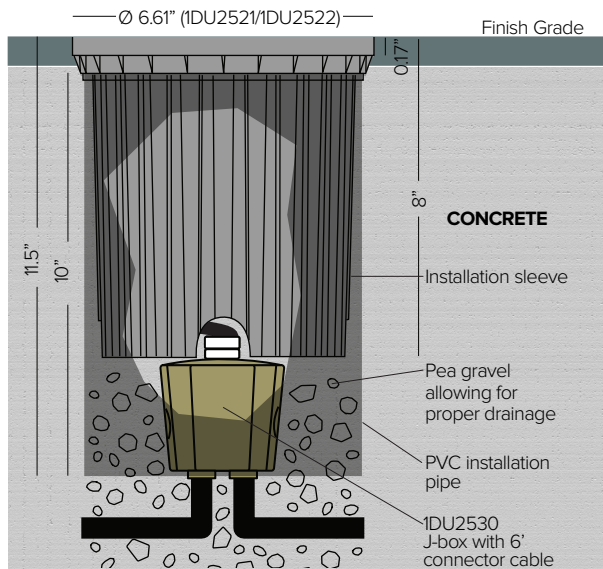
KEPLERO MINI WALL WASHER

INSTALLATION DIAGRAM

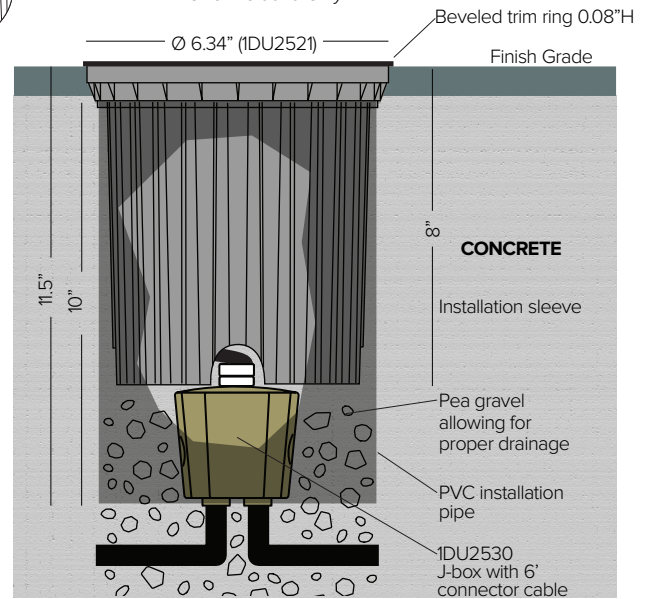
CONCRETE POUR APPLICATION



Flush Mount Sleeve Assembly
1DU2521 and 1DU2522 Sleeves



Semi-Flush Mount Sleeve Assembly
1DU2521 Sleeve Only



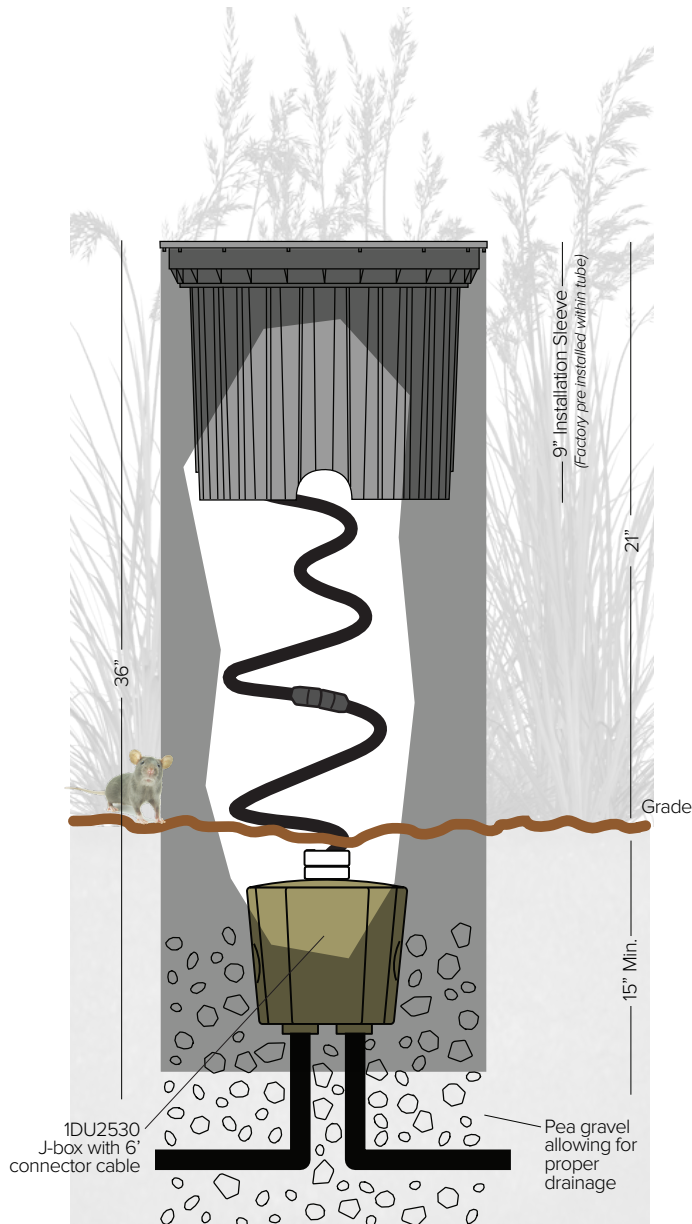
KEPLERO MINI WALL WASHER

INSTALLATION DIAGRAM

LANDSCAPE APPLICATION

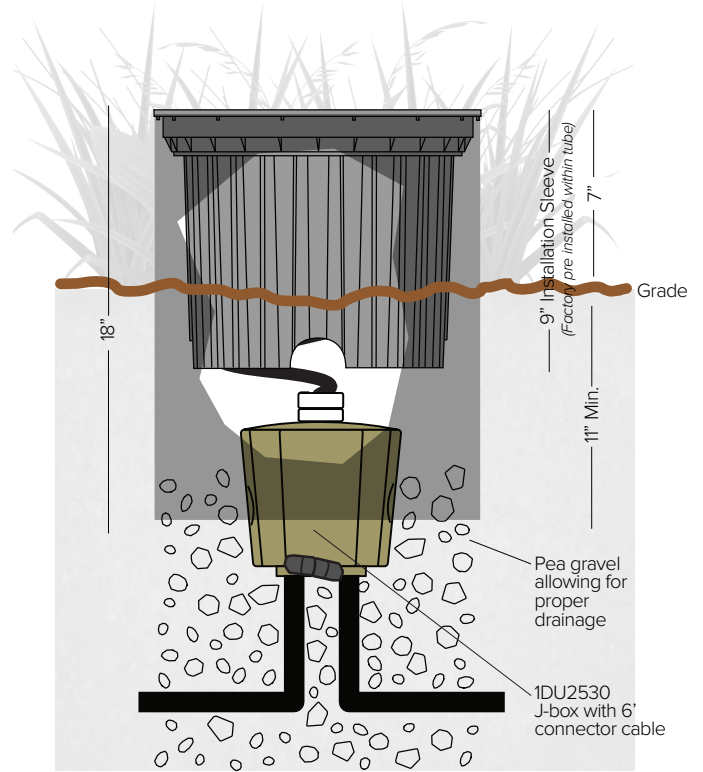
RAISED TUBE INSTALLATION ASSEMBLY

Recommended for Landscape Installation
1DU4344 with Round Trim ONLY



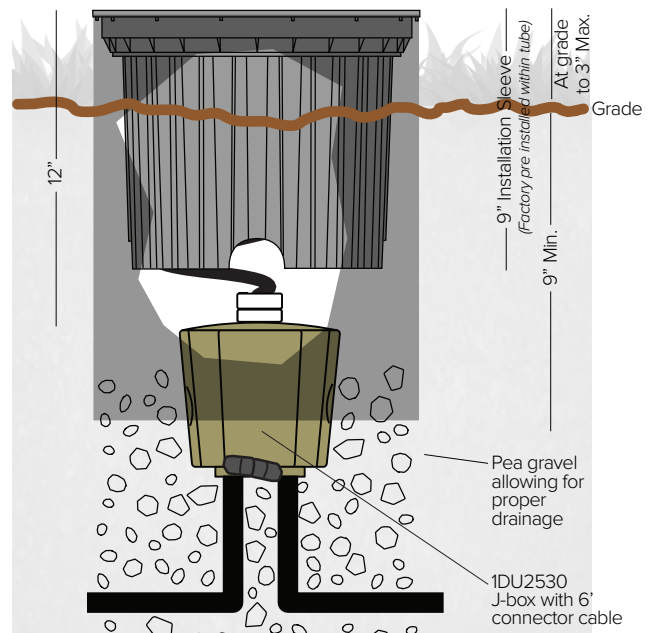
RAISED TUBE INSTALLATION ASSEMBLY

Recommended for Ground Level Installation
1DU434418 with Round Trim ONLY



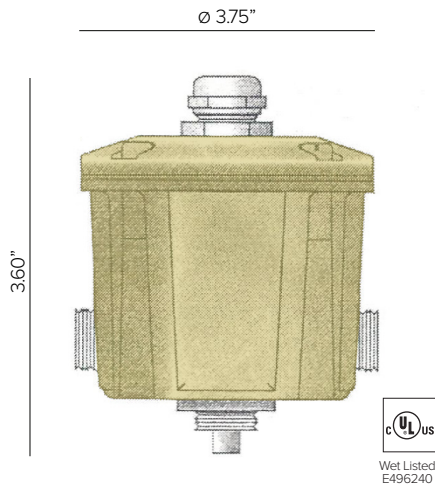
RAISED TUBE INSTALLATION ASSEMBLY

Recommended for Turf Installation
1DU434412 with Round Trim ONLY



KEPLERO MINI WALL WASHER

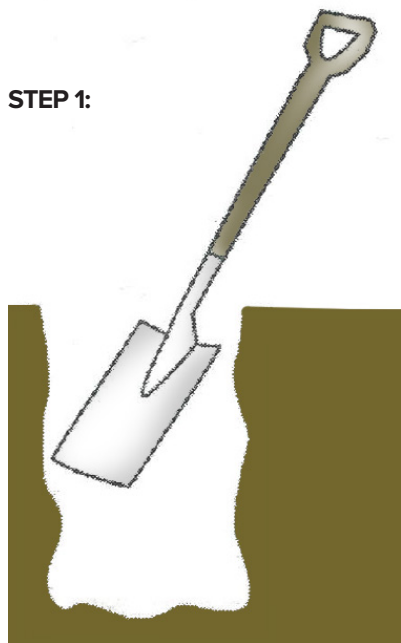
INSTALLATION DIAGRAM - 1DU2530 J-Box



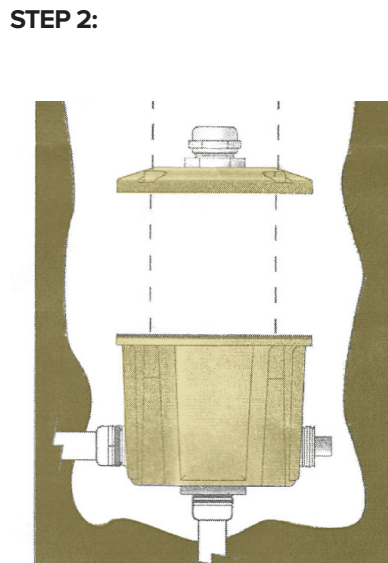
Brass junction box is supplied with the following components:

- (4) 3/4" side/bottom NPT holes
- (4) 1/2" reduction NPT adapters
- (2) 1/2" cap plugs

NOTE: Box fill size = 15.94 IN³

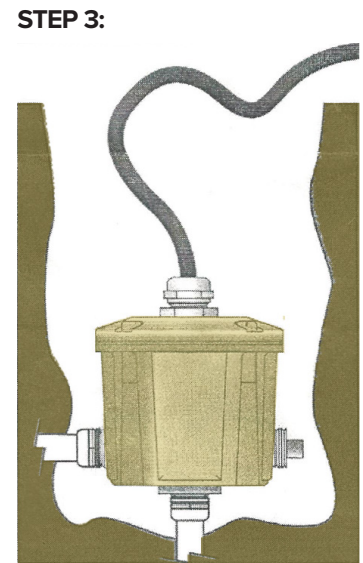


Dig a hole large enough to accommodate the junction box.



Connect brass junction box to conduit system. Seal conduit entries inside junction box with a good grade RTV sealant per sealant manufacturer's instructions.

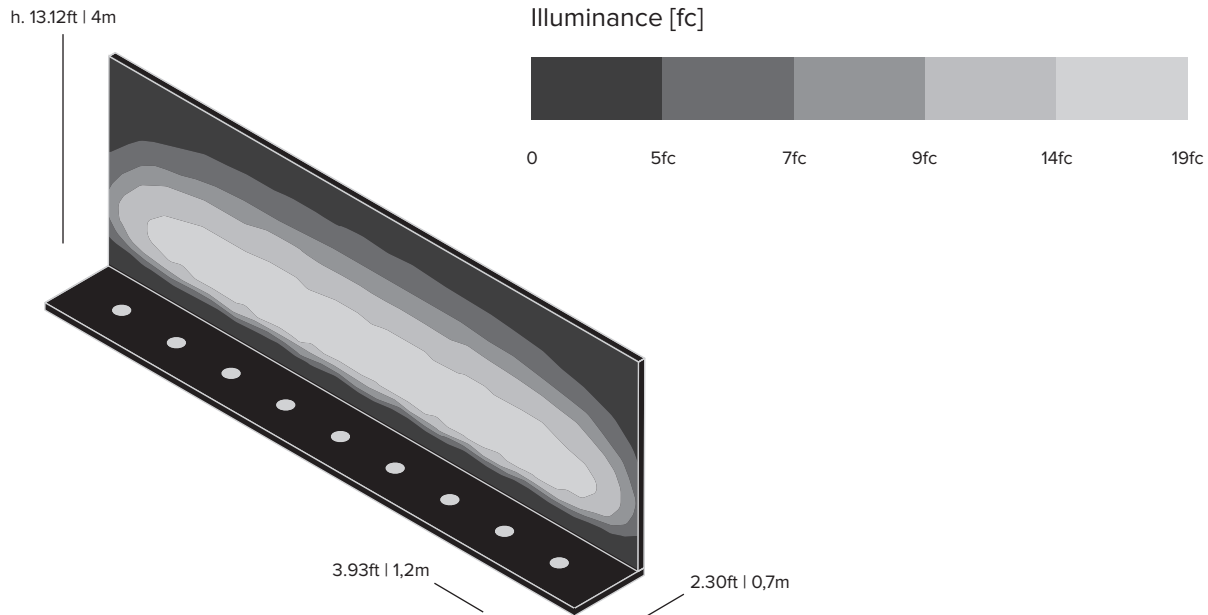
Note: Drainage must be in place below junction box.



Seal threads. Tighten locking screw on bottom of cover. Connect all wires observing polarity (i.e. green-to-ground, white-to-common, and black-to-voltage). Provided with 1/2" strain relief.

KEPLERO MINI WALL WASHER

OPTICAL PERFORMANCE GUIDE



PHOTOMETRY

WALL WASHER

		2700K	H(m) D1(m) D2(m) Emax(lx)				
		Ra80	34° 84°				
		Fixture Power	14W	1	0.70	1.87	863
		Source Flux	1823lm	2	1.40	3.75	216
		Fixture Flux	918lm	3	2.10	5.62	96
		Efficacy	67lm/W	4	2.81	7.49	54
TS1152	I _{max} =537cd/klm	I _{max}	979cd	5	3.51	9.36	35

		3000K	H(m) D1(m) D2(m) Emax(lx)				
		Ra80	34° 84°				
		Fixture Power	14W	1	0.70	1.87	910
		Source Flux	1923lm	2	1.40	3.75	228
		Fixture Flux	968lm	3	2.10	5.62	101
		Efficacy	71lm/W	4	2.81	7.49	57
TS1152	I _{max} =537cd/klm	I _{max}	1032cd	5	3.51	9.36	36

		4000K	H(m) D1(m) D2(m) Emax(lx)				
		Ra80	34° 84°				
		Fixture Power	14W	1	0.70	1.87	921
		Source Flux	1946lm	2	1.40	3.75	230
		Fixture Flux	980lm	3	2.10	5.62	102
		Efficacy	72lm/W	4	2.81	7.49	58
TS1152	I _{max} =537cd/klm	I _{max}	1045cd	5	3.51	9.36	37