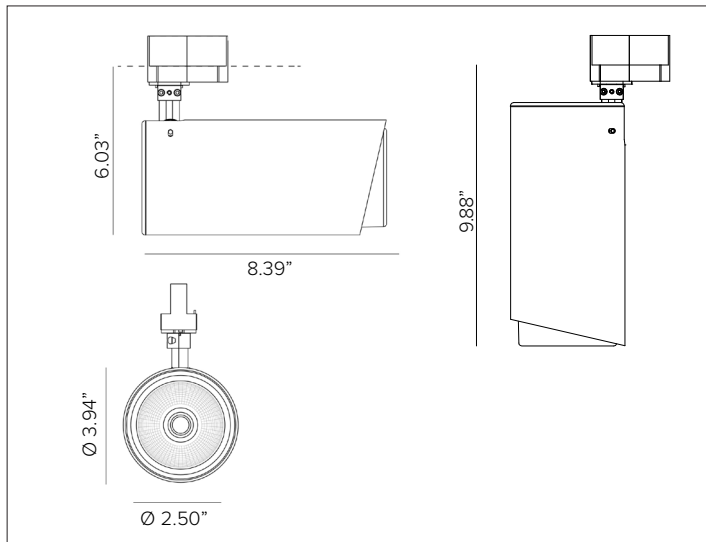


LEDò DBS

Professional LED Track Projector



Shown left to right Deep Black, Titanium Grey and Plaster White finishes.



CONCEPT

Professional adjustable LED track projector with variable light beam opening allowing for maximum flexibility.

MECHANICAL CHARACTERISTICS

Dimensions	8.39" L x 3.94" W
Materials	Die-cast aluminum body, Black polycarbonate front interchangeable optical chamber and back ring with radial grid for heat dissipation.
Finish	● Plaster White ● Deep Black ● Titanium Grey
Functionality	Fixture can be vertically adjusted from 0° to 90° and horizontally up to 355° with secure double locking system. Available with mechanical and optical accessories that can be installed with a support ring, see available options
Mounting	EUROSTANDARD PLUS Track , sold separately. The fixture can be vertically adjusted from 0° to 90° and horizontally up to 355° with secure locking.
Weight	2.65lbs
Protection	IP20

CERTIFICATIONS

cULus Listed E485491
 Tested in accordance with LM-79-08.
 Energy efficient for California installations.
 RoHS3 EU 215/863

WARRANTY

5 year limited warranty.

SUSTAINABILITY

Luminaire designed for disposal/recycling at end-of-life. Replaceable LED light source and control gear by a Targetti technician.

ELECTRICAL CHARACTERISTICS

Power Supply	Integrated electronic driver with wireless bluetooth Casambi control for individual fixture control and dimmable to 0%.
Wattage	24W nominal.
Voltage	120V AC 50/60Hz
Control	Wireless bluetooth control through Casambi app interface for individual fixture and/or optical DBS (Dynamic Beam Shaping) control. Refer to Targetti LMS (Light Management System) for detailed information.

SOURCE

High efficiency LED Chip on Board.

TM30	CCT (Nominal)	CRI	Rf	Rg	SDCM
	2700K	97	94	103	2
	3000K	97	95	103	2
	3500K	97	93	99	2
	4000K	97	92	102	2

OPTIC

Hybrid optical system comprised of a specular anodized aluminum reflector, optical glass lens, Lens Vector lens (liquid crystal glass lenses that are electronically controlled to regulate the light diffusion and the beam opening from SP to WFL) and PMMA holographic lens.



Beam	DBS 16° – 42°	
Delivered Lumens	3000K	1800 – 1687Lm
<i>Data represents Fixed and Adjustable luminaire options only. Refer to photometry section for all fixture variations.</i>	4000K	1865 – 1748Lm
Efficacy	Up to 78 Lm/W	
Lifetime	L92/B10 >30,000hrs at max TA +25°C L89/B10 >50,000hrs at max TA +25°C L86/B10 >80,000hrs at max TA +25°C L83/B10 >100,000hrs at max TA +25°C	
Photobiological Classification	Low risk photobiological safety RG1	

LEDÒ DBS

SPECIFICATION INFORMATION



Ex: LOCAPWDBSL130

1 - PRODUCT CODE	2 - DRIVER	3 - FINISH	4 - OPTICS	5 - WATTAGE	6 - KELVIN	7 - TRACK
LO — LEDÒ	CA — Wireless	PW — Plaster White TG — Titanium Grey DB — Deep Black RAL — Custom RAL	DBS — DBS	L1 — 24W	27 — 2700K 30 — 3000K 35 — 3500K 40 — 4000K	REQUIRED To be completed with EUROSTANDARD PLUS TRACK SURFACE / SUSPENSION, RECESSED , or RECESSED TRIMLESS
8 - OPTICAL ACCESSORIES		9 - CONTROLLER				
Blade of Light Linear Spread Lens See section for details Tone Lens See section for details Softening Lens See section for details Anti-glare Louver See section for details Asymmetric Screen See section for details		Wireless Controller See section for details				

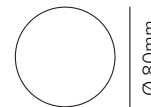
LEDÒ DBS

8 – OPTICAL ACCESSORIES (OPTIONAL)



'Blade of light' linear spread lens. Parallel ribbed glass that makes the beam take on an oval shape and when combined with spot optics.

Part No. **1T3141**



Tone filter. Interference glass filter to vary the color temperature of light.

Finish Gold Tone Cold Tone Peach Tone

Part No. **1T3431** **1T3429** **1T3430**



Softening lens. Flat glass micro prismatic refractive diffusive filter.

Part No. **1T3140**



Anti-glare louver. Lacquered metal honeycomb structure.

Finish ● Deep Black

Part No. **1T3423**

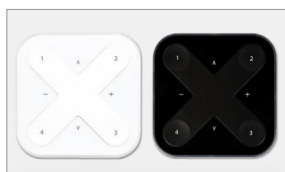


Asymmetric screen in anodized diffusive aluminum, black painted outside. Complete with blade light filter. Ideal for a wall washer effect. **To be combined with spot and flood optics.**

Finish ● Deep Black

Part No. **1T3143**

9 – CONTROLLER OPTIONS (OPTIONAL)



SWITCH26 / SWITCH25

DBS fixtures are equipped with Casambi Wireless control as standard. Optional remote control below.

Part No.	Type	Finish	Application	Battery	Dimensions	Preset
SWITCH25	Casambi Xpress remote control	Black	Indoor	CR2430 Included	3.54"H x 3.54"W x 0.90"D	4
SWITCH26	Casambi Xpress remote control	White	Indoor	CR2430 Included	3.54"H x 3.54"W x 0.90"D	4

LEDÒ DBS

PHOTOMETRY

SPOT

3000K		H(m)	D(m)	Emax(lx)		
Ra97			14°			
Fixture Power	23W	1	0.24	22182		
Source Flux	2268lm	2	0.48	5546		
Fixture Flux	1800lm	3	0.72	2465		
Efficacy	79lm/W	4	0.96	1386		
TS1552	Imax=9781cd/klm	Imax	22182cd	5	1.19	887

4000K		H(m)	D(m)	Emax(lx)		
Ra97			14°			
Fixture Power	23W	1	0.24	22984		
Source Flux	2350lm	2	0.48	5746		
Fixture Flux	1865lm	3	0.72	2554		
Efficacy	81lm/W	4	0.96	1437		
TS1552	Imax=9781cd/klm	Imax	22984cd	5	1.19	919

FLOOD

3000K		H(m)	D(m)	Emax(lx)		
Ra97			18°			
Fixture Power	23W	1	0.32	12085		
Source Flux	2268lm	2	0.63	3021		
Fixture Flux	1779lm	3	0.95	1343		
Efficacy	78lm/W	4	1.26	755		
TS1553	Imax=5329cd/klm	Imax	12085cd	5	1.58	483

4000K		H(m)	D(m)	Emax(lx)		
Ra97			18°			
Fixture Power	23W	1	0.32	12522		
Source Flux	2350lm	2	0.63	3131		
Fixture Flux	1843lm	3	0.95	1391		
Efficacy	80lm/W	4	1.26	783		
TS1553	Imax=5329cd/klm	Imax	12522cd	5	1.58	501

MEDIUM WIDE FLOOD

3000K		H(m)	D(m)	Emax(lx)		
Ra97			41°			
Fixture Power	23W	1	0.75	2398		
Source Flux	2268lm	2	1.50	599		
Fixture Flux	1701lm	3	2.25	266		
Efficacy	74lm/W	4	3.00	150		
TS1554	Imax=1057cd/klm	Imax	2398cd	5	3.75	96

4000K		H(m)	D(m)	Emax(lx)		
Ra97			41°			
Fixture Power	23W	1	0.75	2485		
Source Flux	2350lm	2	1.50	621		
Fixture Flux	1763lm	3	2.25	276		
Efficacy	77lm/W	4	3.00	155		
TS1554	Imax=1057cd/klm	Imax	2485cd	5	3.75	99

WIDE FLOOD

3000K		H(m)	D(m)	Emax(lx)		
Ra97			51°			
Fixture Power	23W	1	0.96	1762		
Source Flux	2268lm	2	1.92	441		
Fixture Flux	1687lm	3	2.88	196		
Efficacy	74lm/W	4	3.84	110		
TS1555	Imax=777cd/klm	Imax	1762cd	5	4.80	70

4000K		H(m)	D(m)	Emax(lx)		
Ra97			51°			
Fixture Power	23W	1	0.96	1826		
Source Flux	2350lm	2	1.92	457		
Fixture Flux	1748lm	3	2.88	203		
Efficacy	76lm/W	4	3.84	114		
TS1555	Imax=777cd/klm	Imax	1826cd	5	4.80	73

LEDÒ DBS

CONTROL SYSTEM

Controlling light has never been easier. Targetti [LMS \(Light Management System\)](#) with Control by Casambi was created to make it possible to control light via Bluetooth Low Energy without the use of any special cables, ensuring system operational readiness. This wireless technology is compatible with all modern smart devices: smartphones, tablets and even smartwatches. Targetti fixtures are equipped with a special interface that allows them to communicate with each other to create a remotely controllable "smart" network.

The advantages are boundless. The possibility for users to interact with lighting – varying intensity, tone and shape in complete freedom and autonomy according to their needs. The design approach known as Human Centric Lighting that places people at the center of lighting projects.

Flexible and easy to use, suitable for managing all types of simple to more complex systems, LMS is a future-oriented system that can be constantly updated because it can be used with a simple application that can be downloaded onto a mobile device to manage the entire system in wireless mode.

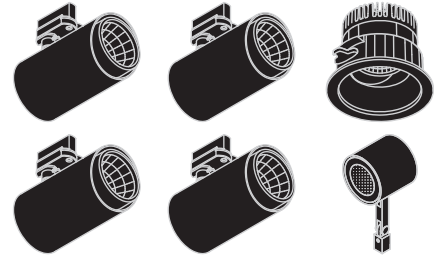
INSTALLATION SEQUENCE

1

Choose Targetti fixtures by opting for the Targetti Casambi Ready package or Casambi accessory components



Single



Groups

2

Download the Casambi iOS or Android App depending on the device used

Unit control

3

Launch the App: the fixtures in operation will be detected automatically

4

Create one or two networks depending on the characteristics of the environment

5

Create groups of devices as needed

6

Program scenes and/or sequences.

7

Set the level of network sharing

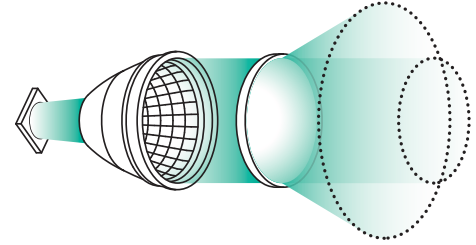


LEDò DBS

DBS – DYNAMIC BEAM SHAPING

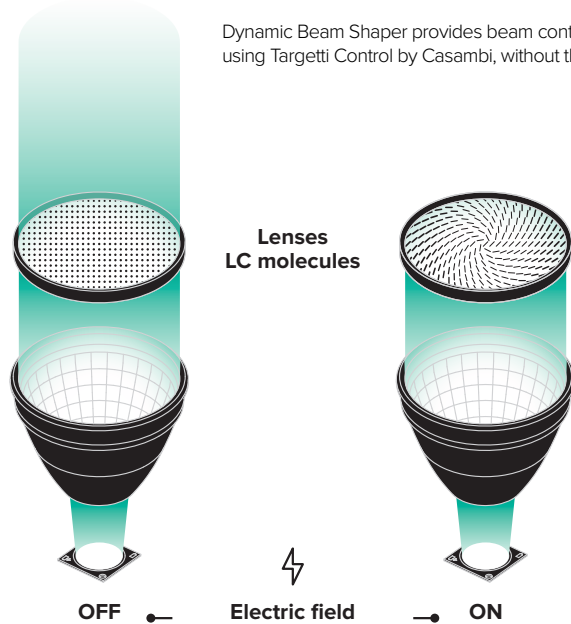
Uniform light and contemporary atmosphere.

Dynamic Beam Shaping (DBS) optical technology was created from the desire to give designers a sophisticated yet simple to use tool. Technology that we were the first to develop in the lighting sector together with Lens Vector – a leading American company in lens design - that makes it possible to vary the beam opening of fixtures via digital input without any mechanical system. With DBS we combined LED sources, collimated optics and lenses equipped with liquid crystal molecules that can be activated and oriented using an electric field thus creating a light diffusion process.



HOW IT WORKS Liquid crystal materials are widely used in projectors and LC (LCD) displays. They are elongated molecules that are naturally aligned in the same direction. The DBS lens is composed of two glass substrates separated by spacers that are sealed to contain the liquid crystal materials in a kind of "sandwich". When an electric field is applied to the lens the molecules change direction and refocus the light that passes through the lens. Managing the electric field and the direction of the molecules it is possible to shape the light beam.

Dynamic Beam Shaper provides beam control from 15° to 55°, allowing designers to create scenes and manage lighting in different environments using Targetti Control by Casambi, without the use of mechanical systems, scales or replacement optics.



HOW IT'S CONTROLLED Using the Casambi app, available for IOS and Android, it is possible to dim the sources, set the desired beam opening and create dynamic scenes. The same fixture controlled from any smart device provides infinite possibilities.

