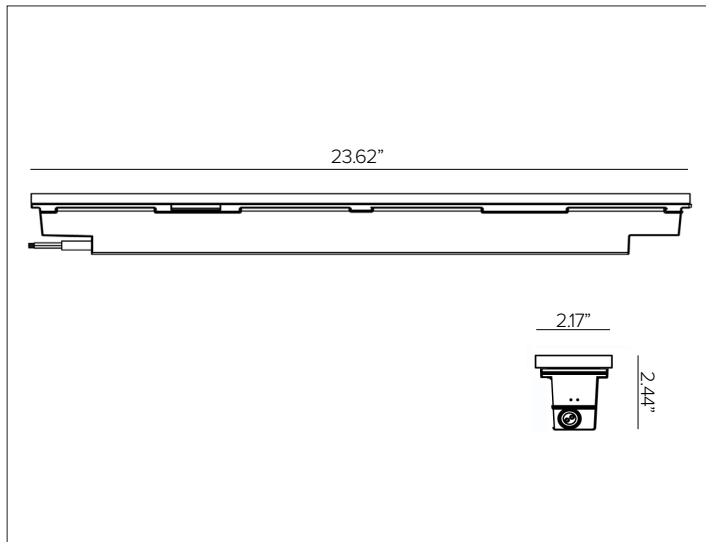


# MINI MERCURE

## Direct View Linear LED Inground Luminaire



### CONCEPT

Direct view linear inground luminaire with monochromatic LEDs.

### MECHANICAL CHARACTERISTICS

<b>Housing</b>	23.61"L x 2.44"D
<b>Materials</b>	Black anodized marine grade cataphoresis <sup>A</sup> die-cast aluminum body with anti-slip white silk-screen tempered glass, sealed to the fixture body for flush recessed mounting.
<b>Power Connection</b>	Pre-cabled with 10' Belden direct burial 18ga 2 Conductor Cable with IP68 Quick disconnects. See inline connection configuration page for installation detail.
<b>Mounting</b>	Installation sleeve required for inground flush mounting, see available options.
<b>Weight</b>	4.0lbs
<b>Protection</b>	IP68 <sup>B</sup> / IP69K
<b>Impact</b>	IK09
<b>Load Rating</b>	Resistant to static loads up to 2,697lbs and dynamic loads up to 4,496lbs in flush mounted cement and pavement installations.

### CERTIFICATIONS

cULus Class 2 Wet Location Listed E479873  
 Tested in accordance with LM-79-08  
 Compliant for California installations.  
 RoHS3 EU 215/863

### WARRANTY

5 year limited warranty.  
<sup>A</sup> Fixture body complete with marine grade cataphoresis suitable for use in marine grade environments. Stainless steel trim will need to be maintained and cleaned regularly to avoid mineral deposits. Not to be in direct contact with salt or corrosive agents for extended periods of time.  
<sup>B</sup> Temporary immersion up to 24 hours at a max depth of 2 meters. Installation of fixture requires proper drainage to prevent any standing water. Should not be used for permanent submersion.

### SUSTAINABILITY

Luminaire designed for disposal/recycling at end-of-life. Replaceable LED light source and control gear by a Targetti technician.

### ELECTRICAL CHARACTERISTICS

<b>Power Supply</b>	Remote Class 2 110V-277VAC to 24V DC electronic power supply. <b>Note: a maximum of 8 fixtures can be attached together on a single Class 2, 4 amp circuit output.</b>
<b>Wattage</b>	9W
<b>Voltage</b>	24V DC

### SOURCE

Linear LED board.

TM30	CCT (Nominal)	CRI	Rf	Rg	SDCM
	3000K	80	82.9	97	2
	4000K	80	82.6	95.7	2

*Ra90 available upon request*

### OPTIC

Anti-slip direct view white silk-screen tempered glass

<b>Beam</b>	<b>DV</b>
<b>Delivered Lumens</b>	<b>3000K</b> 290Lm
	<b>4000K</b> 309Lm
<b>Efficacy</b>	34Lm/W max. Refer to photometric graphs for specific values.
<b>Lifetime</b>	L80/B10 60,000hrs at max TA +25°C
<b>Photobiological Classification</b>	Low risk photobiological safety RG1


# MINI MERCURE

## SPECIFICATION INFORMATION



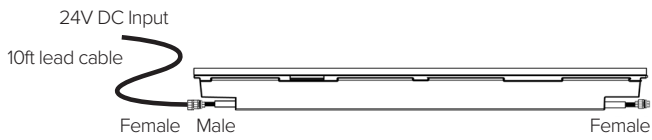
1 - PRODUCT CODE	2 - DRIVER	3 - OUTPUT	4 - KELVIN	5 - CABLE	6 - INSTALLATION	7 - POWER SUPPLY
<b>MM</b> — MINI MERCURE	<b>RP</b> — Remote Power	<b>09</b> — 9W	<b>30</b> — 3000K <b>40</b> — 4000K	<b>L</b> — Lead <b>C</b> — Center <b>E</b> — End <b>S</b> — Solo	<a href="#">Insertion Sleeve</a> See section for details	<a href="#">Power Supply</a> See section for details
8 - LEAD CABLE	9 - JUMPER CABLE	10 - INSTALLATION ACCESSORY				
<a href="#">Additional Lead Cable</a> See section for details	<a href="#">Additional Jumper Cable</a> See section for details	<a href="#">Glass Suction Remover</a> See section for details				

For applicable quick ship items, see model configurations listed below. Lead time for quick ship fixtures is 1-2 weeks from processed PO date. Consult factory for quantities of over 20pcs to confirm lead time.

 MMRP0940 + 1E2382 + DMLE301242UD / DMLE601242UD / DMLE961242UD

# MINI MERCURE

## 5 – CABLE (REQUIRED)



Lead – 10ft lead power cable to with male and female IP68 connectors.

Part No. **L**



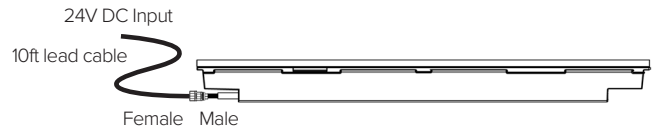
Center – Male and female IP68 connectors.

Part No. **C**



End – Male IP68 connector.

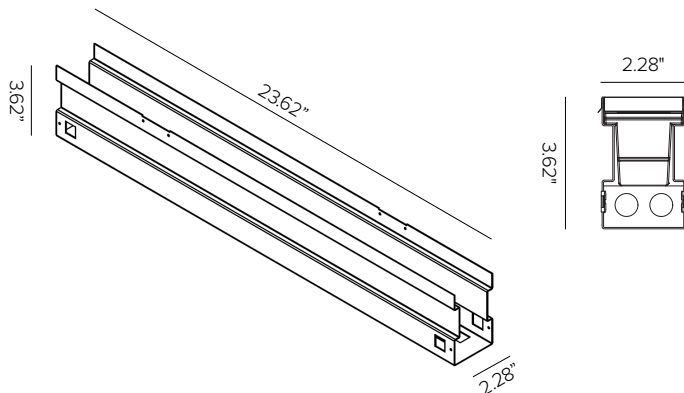
Part No. **E**



Solo – 10ft lead power cable to male IP68 connector.

Part No. **S**

## 6 – INSTALLATION (REQUIRED)



MINI MERCURE aluminum installation sleeve, supplied with 2ea removable end caps. Complete with internal supports for installations in concrete, single or continuous row applications.

Part No. **1E2382**

# MINI MERCURE

## 7 - POWER SUPPLY (REQUIRED)

ENCLOSURE								
Part No.	Wattage	Control	Dim Range	Rating	In / Out Voltage	Certification	Dimensions (Enclosure)	Description
<b>DMLE301242UD</b>	30W	MLV / ELV / 0-10V / TRIAC	MLV / ELV 1% 0-10V 0.1%	NEMA3R	120-277V / 24V	UL Class 2	4.47" X 6.79" X 1.38"	EMCOD MLE-UD electronic driver with wiring compartment.
<b>DELV30124DJBX</b>	30W	0-10V	5%	IP65	120-277V / 24V	UL Class 2	12.1" X 2.4" X 1.4"	Magnitude SOLIDrive electronic driver with built in junction box.
<b>DMLE601242UD</b>	60W	MLV / ELV / 0-10V / TRIAC	MLV / ELV 1% 0-10V 0.1%	NEMA3R	120-277V / 24V	UL Class 2	4.47" X 6.79" X 1.38"	EMCOD MLE-UD electronic driver with wiring compartment.
<b>DELV60124DJBX</b>	60W	0-10V	5%	IP65	120-277V / 24V	UL Class 2	12.1" X 2.4" X 1.4"	Magnitude SOLIDrive electronic driver with built in junction box.
<b>DMLE961242UD</b>	96W	MLV / ELV / 0-10V / TRIAC	MLV / ELV 1% 0-10V 0.1%	NEMA3R	120-277V / 24V	UL Class 2	5.16" X 7.73" X 1.54"	EMCOD MLE-UD electronic driver with wiring compartment.
<b>DELV96124DJBX</b>	96W	0-10V	5%	IP65	120-277V / 24V	UL Class 2	12.1" X 2.4" X 1.4"	Magnitude SOLIDrive electronic driver with built in junction box.
<b>DMLE1922242UD</b>	2X96W	MLV / ELV / 0-10V / TRIAC	MLV / ELV 1% 0-10V 0.1%	NEMA3R	120-277V / 24V	UL Class 2	5.04" X 10.94" X 1.81"	EMCOD MLE-UD electronic driver with wiring compartment.
<b>DMLE2882242UD</b>	3X96W	MLV / ELV / 0-10V / TRIAC	MLV / ELV 1% 0-10V 0.1%	NEMA3R	120-277V / 24V	UL Class 2	5.04" X 10.94" X 1.81"	EMCOD MLE-UD electronic driver with wiring compartment.

STANDALONE								
Part No.	Wattage	Control	Dim Range	Rating	In / Out Voltage	Certification	Dimensions (Standalone)	Description
<b>DELV30124D</b>	30W	0-10V	5%	IP65	120-277V / 24V	UR Class 2	7.5" X 2.4" X 1.4"	Magnitude SOLIDrive electronic standalone driver. <b>UL listed enclosure provided by others.</b>
<b>DELV60124D</b>	60W	0-10V	5%	IP65	120-277V / 24V	UR Class 2	7.5" X 2.4" X 1.4"	Magnitude SOLIDrive electronic standalone driver. <b>UL listed enclosure provided by others.</b>
<b>DELV96124D</b>	96W	0-10V	5%	IP65	120-277V / 24V	UR Class 2	7.5" X 2.4" X 1.4"	Magnitude SOLIDrive electronic standalone driver. <b>UL listed enclosure provided by others.</b>

MAX FIXTURES PER DRIVER								
Fixture Wattage	Driver Wattage							
	30W	60W	90W	96W	2X96W	2X96W	3X90W	3X96W
	9W	2	5	8	8	8+8	8+8	8+8+8

# MINI MERCURE

## 8 – ADDITIONAL LEAD CONNECTION CABLE (OPTIONAL)



Additional IP68 lead cable. Direct burial fixture cable with IP68 female IP68 connector. Cable can be cut down to specific length in the field.

<i>Length</i>	10ft	25ft	50ft
<i>Part No.</i>	<b>MMWHTLEAD-10</b>	<b>MMWHTLEAD-25</b>	<b>MMWHTLEAD-50</b>

## 9 – JUMPER CONNECTION CABLE (OPTIONAL)



IP68 jumper connector cable. Direct burial cable for fixture to fixture connection with IP68 male and female connectors.

<i>Length</i>	5ft	10ft	20ft
<i>Part No.</i>	<b>MMWHTJUMP-5</b>	<b>MMWHTJUMP-10</b>	<b>MMWHTJUMP-20</b>

## 10 – INSTALLATION ACCESSORY (OPTIONAL)



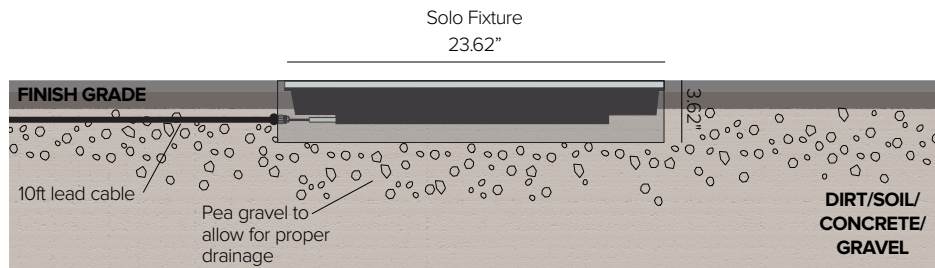
Glass suction removal tool. Helpful one per 20 fixtures.

<i>Part No.</i>	<b>1E0388</b>
-----------------	---------------

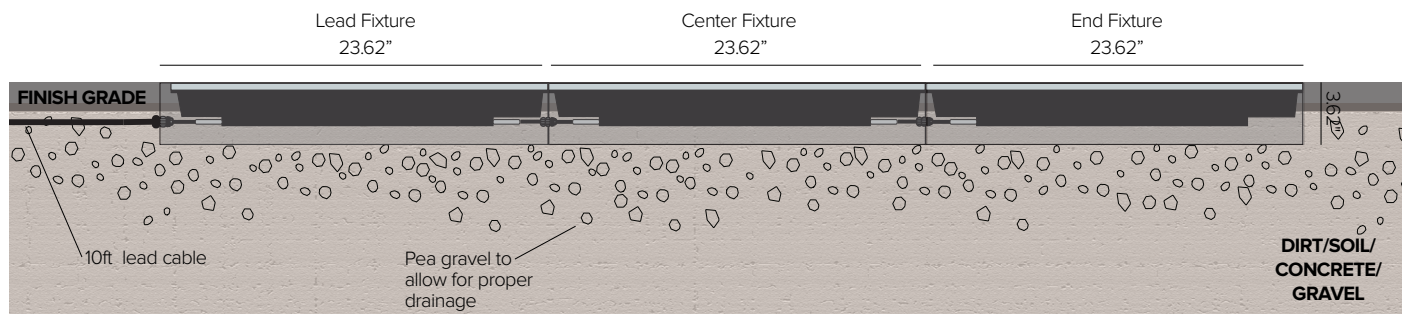
# MINI MERCURE

## INSTALLATION DIAGRAM

### SOLO MOUNTING CONFIGURATION



### IN-LINE CONTINUOUS ROW MOUNTING CONFIGURATION



## PHOTOMETRY

