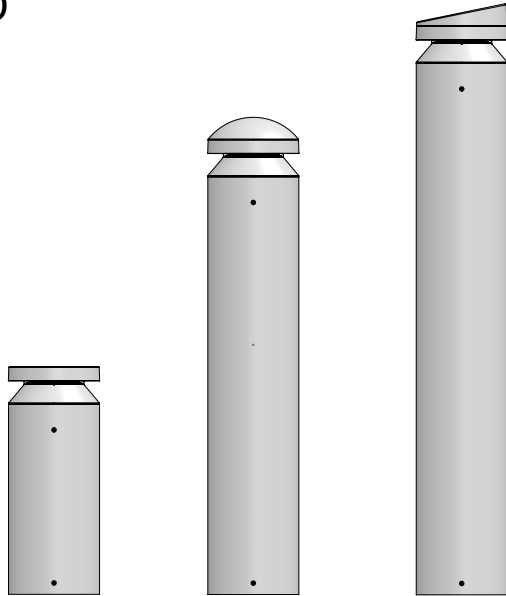




MR. BO BOLLARD

MBB
MBBA
MBBD

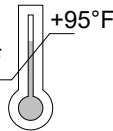
MR BO RADIAL EMISSION LED BOLLARD- (FLAT), (ANGLED), (DOMED)



120/277V
50/60Hz



-13°F



WARNING

To ensure a maximum efficient use of the product, read the instructions before proceeding installment.



This fixture must be installed by a licensed and qualified electrician. The installer must comply with NEC and local building codes when installing the fixture



Electrical current can cause painful shock, serious injury, or even death. Make sure you turn off the power supply, ground fixture(s), and make sure all electrical connections are correct and secured tightly



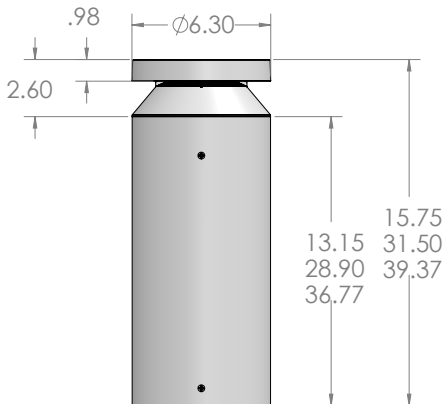
For use in IP66 installations.



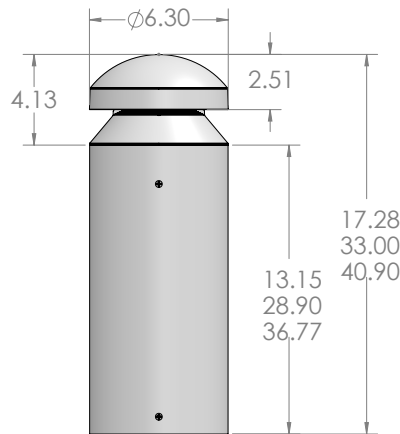
Keep the label of the original packaging if any eventual future claims are needed

If in doubt about the symbols please refer to catalog or website

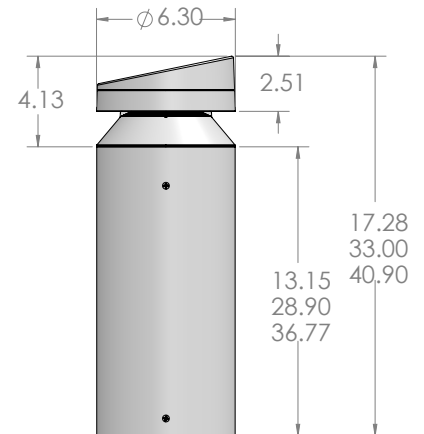
Flat Head Fixture



Domed Head Fixture



Angled Head Fixture



*FIXTURE HEADS ROTATE 360°

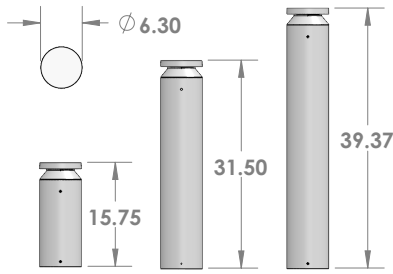
Table of Contents

Packaging Contents / Dimensions
Mounting Base Options
Drainage / J-Box / Base
Installation Bollard / Fixture Head
Assembly Maintenance / Support

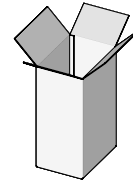
Pg.2
Pg.3
Pg.4/5/6/7/8/9
Pg.10
Pg.11

Packaging Contents / Dimensions

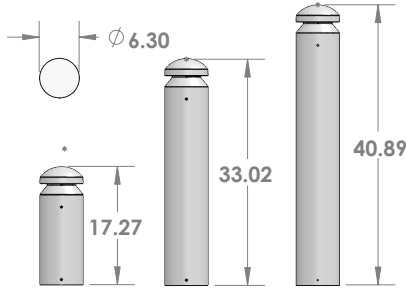
MBB_ Flat Head Fixture



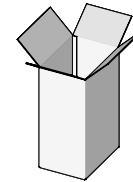
Box 18"x11"x8"
Box 36"x11"x8"
Box 44"x11"x8"



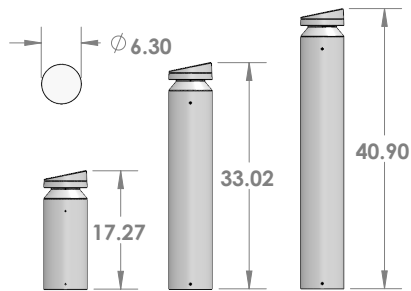
MBBA Domed Head Fixture



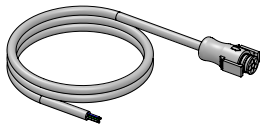
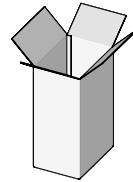
Box 18"x11"x8"
Box 36"x11"x8"
Box 44"x11"x8"



MBBD Angled Head Fixture



Box 18"x11"x8"
Box 36"x11"x8"
Box 44"x11"x8"



Standard 4ft Lead Cable 1 ea.
Cabled with Belden 16-6 600V cable and female IP68 anti-wicking quick disconnect 4ft lead cable.



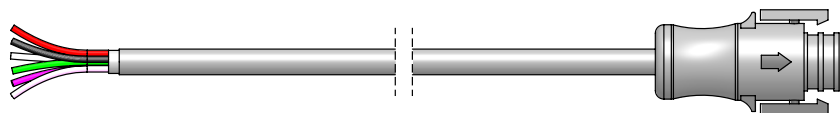
1E2495
Tool Torx TX30
Anti Theft 1 ea.



TOOL03
Tool Torx TX20
Anti Theft 1 ea.

Conductor Callout

IP68 quick disconnect Lead
anti-wicking 600v cable
Red = Used for EM backup versions*
Black = Line voltage load
White = Neutral line voltage
Green = Ground
Purple = Positive 0-10V
Pink or Gray = Negative 0-10V

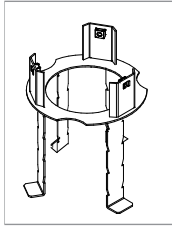


*For EM wiring use Red wire to connect to constant hot from panel to charge battery

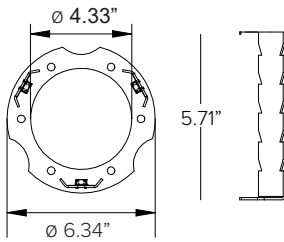
1. Confirm Specified Mounting Base




Mounting base (sold separately)


A



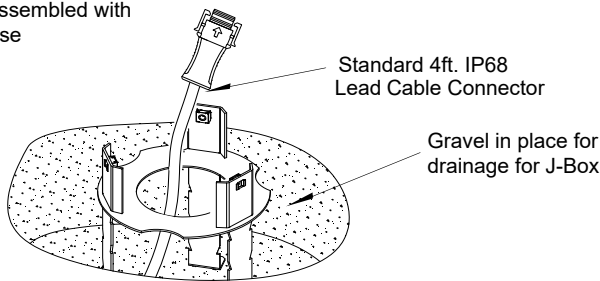
1US3448



- Base bolts 3 ea. 
- Lock Washers 3 ea. 
- Nuts 3 ea. 

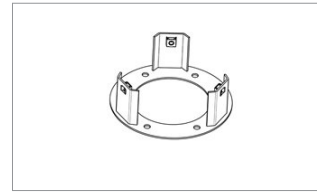
- Shim Washers
3/8"x3/4" flat
6 ea.
(for leveling) 

*Assembled with base

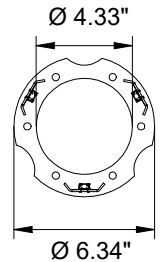



Stainless Steel base with rods for concrete pouring
*Refer to mounting base installations instructions

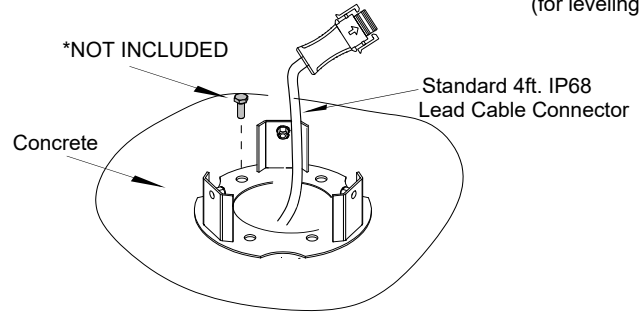
B



1US3449

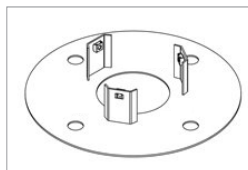


- Shim Washers
3/8"x3/4" flat
6 ea.
(for leveling) 

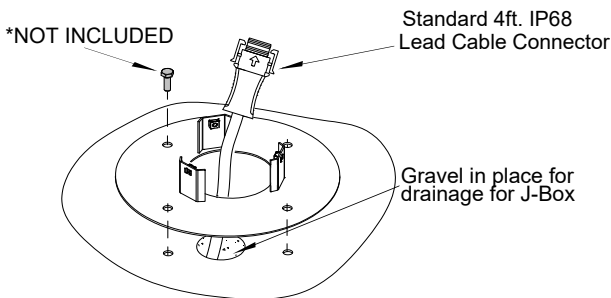
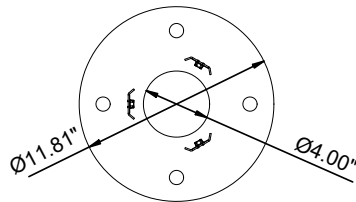


Stainless Steel base with holes for anchor bolts installation on a solid concrete surface
*Refer to mounting base installations instructions

C



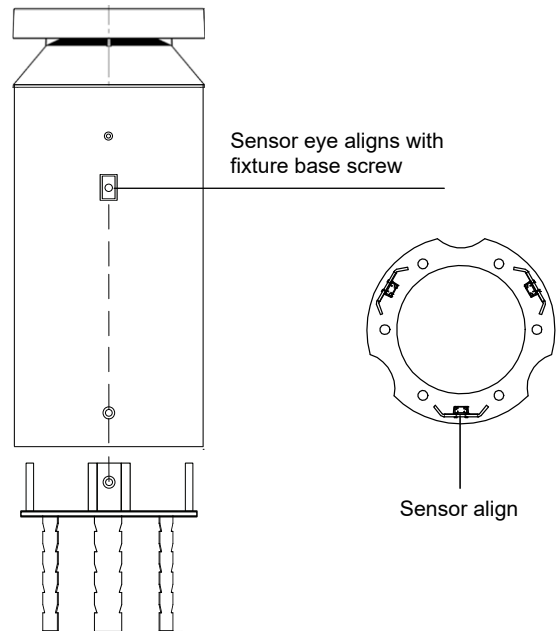
1US3510



Stainless Steel base with holes for anchor bolts installation on a solid concrete surface
*Refer to mounting base installations instructions

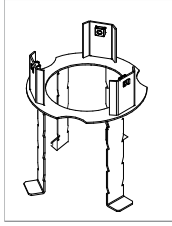
Important

If optional proximity sensors are used with Bollard, the sensor will align with screw mounting direction.

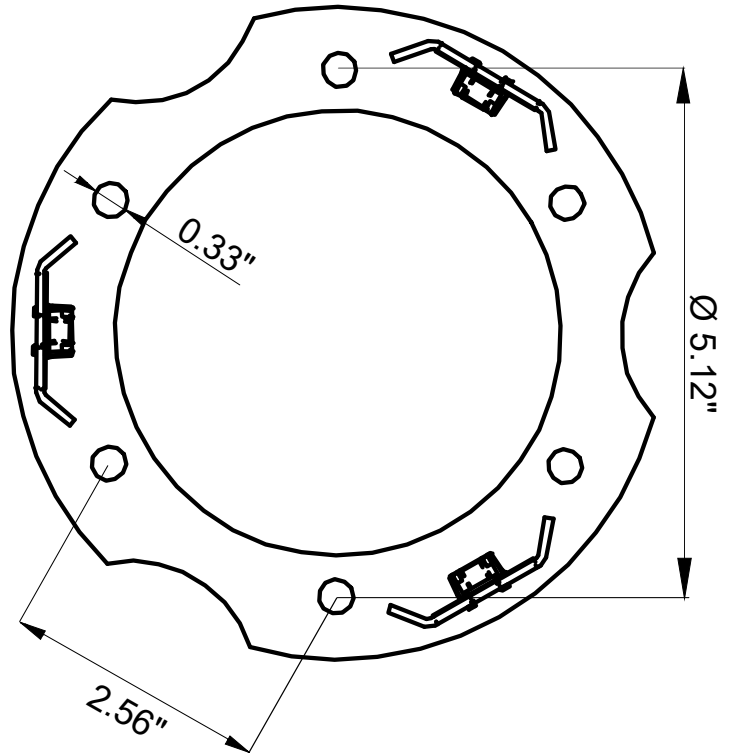
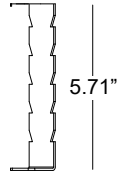
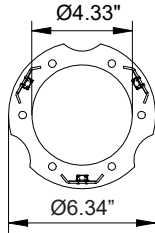





1US3448 Mounting Base Installation


A



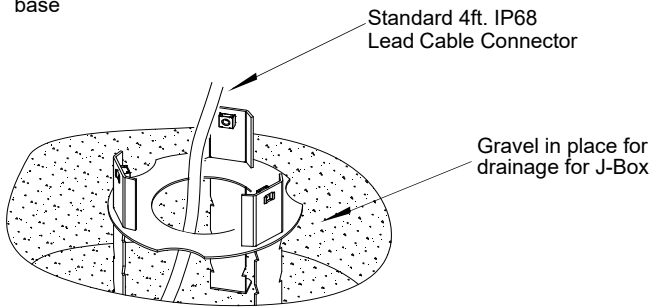
1US3448



- Anchor bolts 3 ea. 
- Lock Washers 3 ea. 
- Nuts 3 ea. 

- Shim Washers 3/8"x3/4" flat 6 ea. (for leveling) 

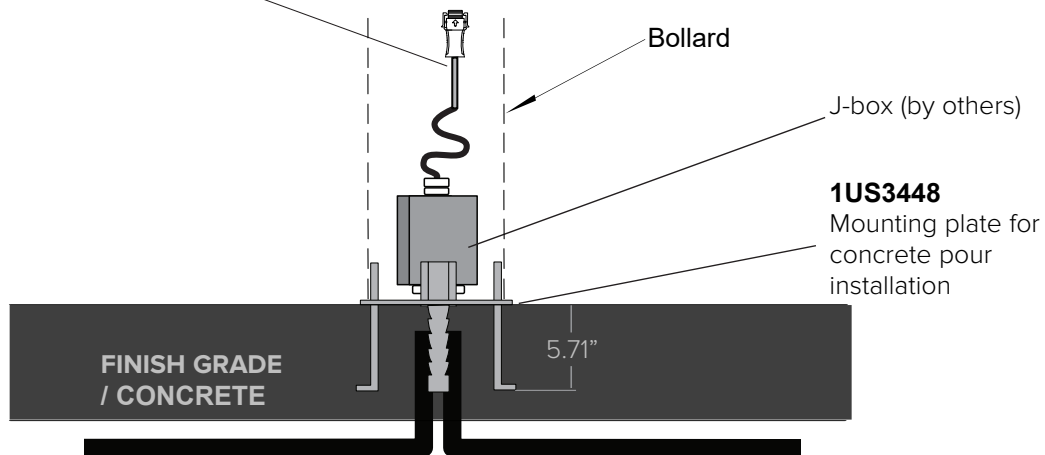
*Assembled with base



Stainless Steel base with rods on aggregated / compacted base for concrete pouring

Drainage / J-Box Installation

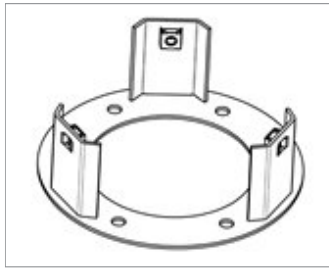
Standard 4ft. IP68 Lead Cable Connector



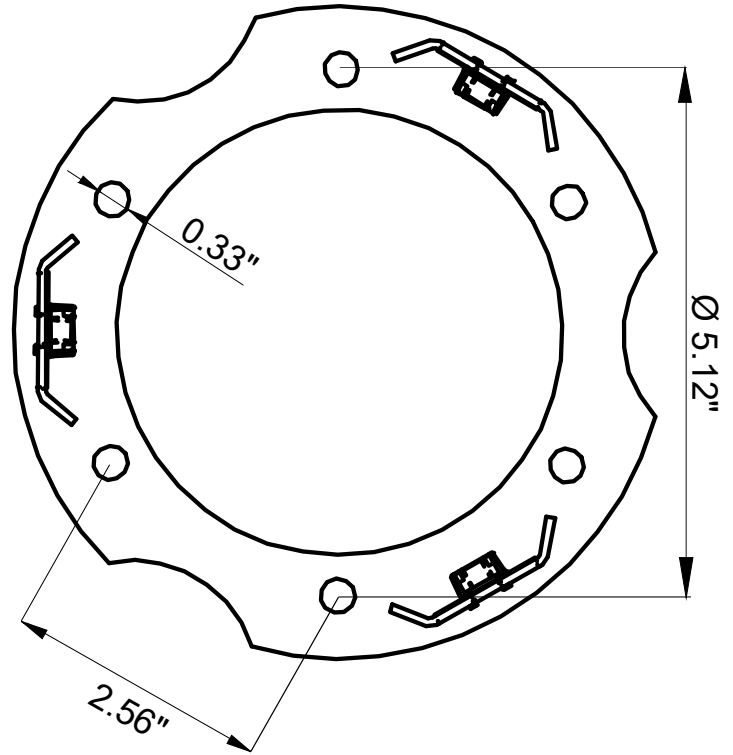
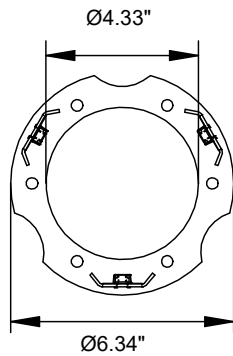
NOTE: Install according to local and NEC building codes. UL listed j-box supplied by others.

1US3449 Mounting Base Installation

B

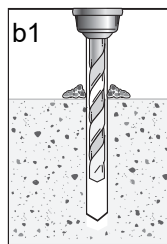
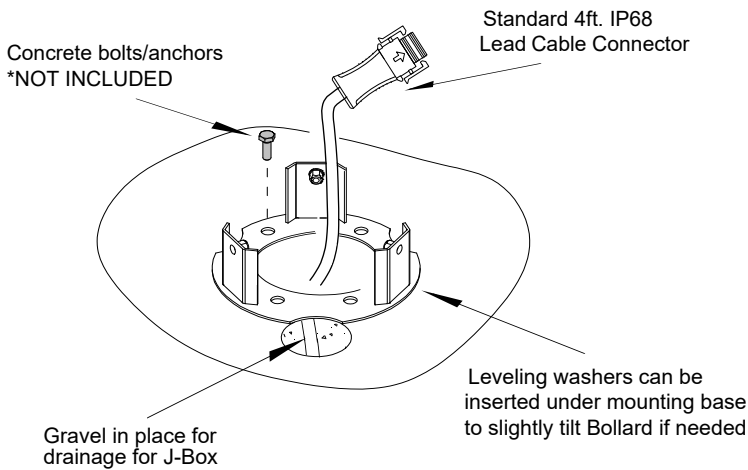


1US3449

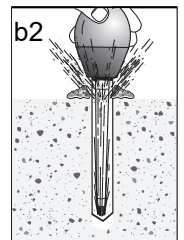


Once power cord has been connected install base onto position by drilling holes on the concrete and using anchor bolts

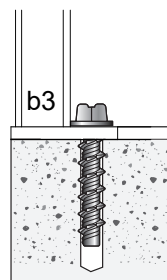
Use proper size drill bit and drill holes (minimum of 3 holes required)



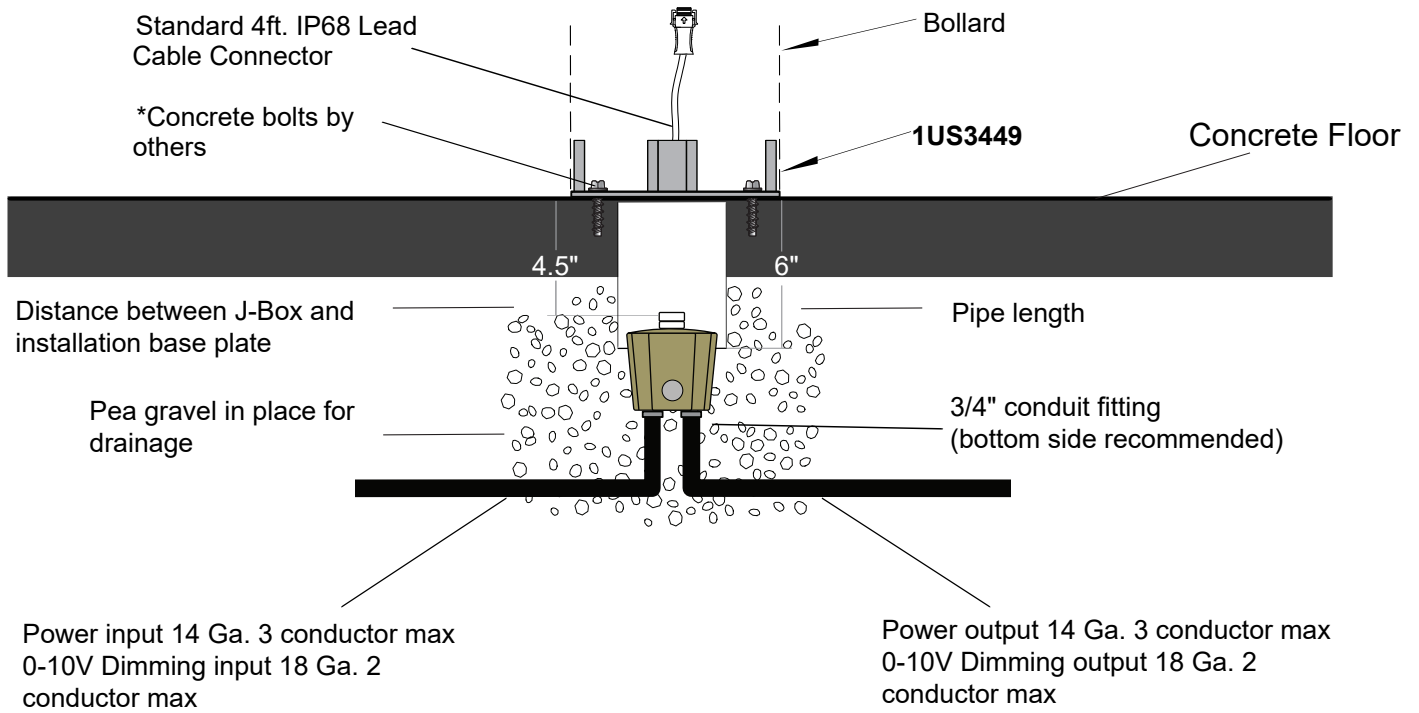
Clean holes using air nozzle (remove all debris)



Place mounting base in position then drive anchor bolts using impact hammer and drill until fully seated. Use leveling washers if needed to slightly tilt Bollard

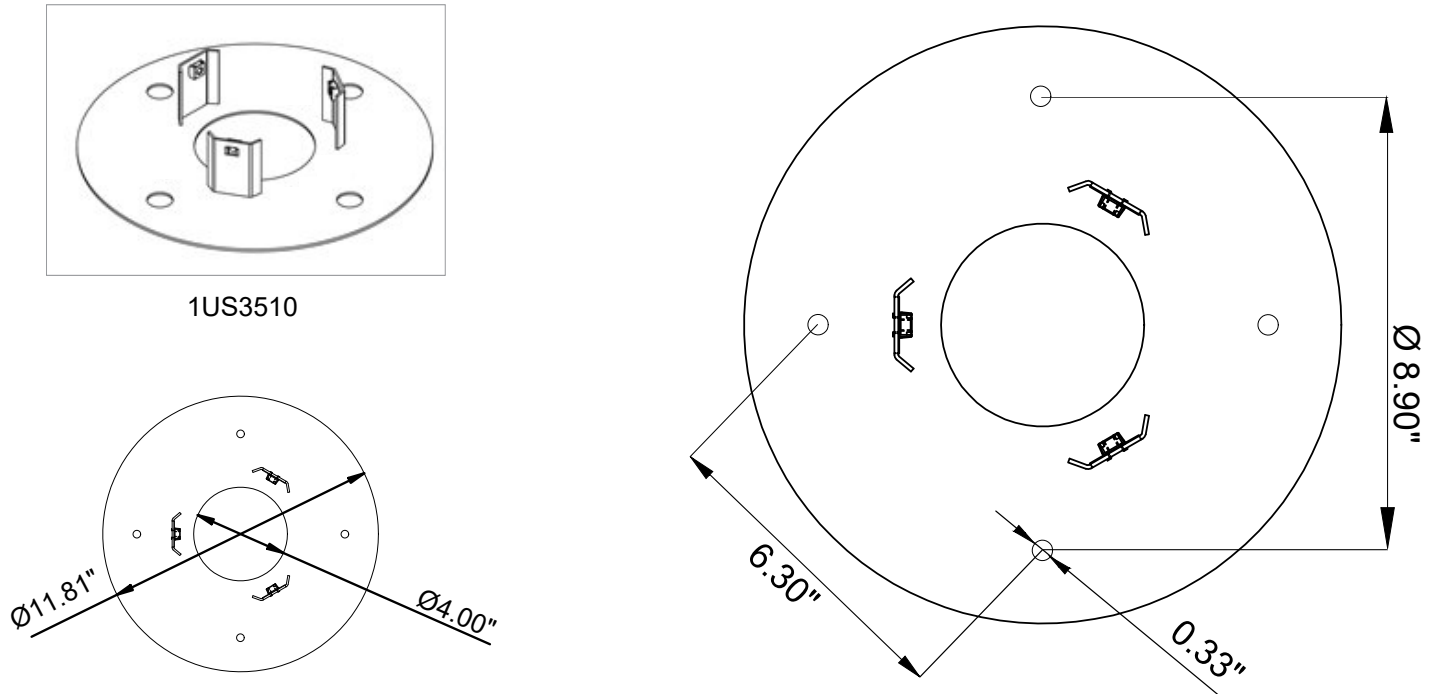


Drainage / J-Box Installation



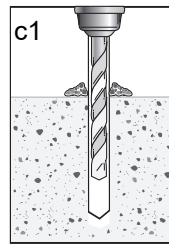
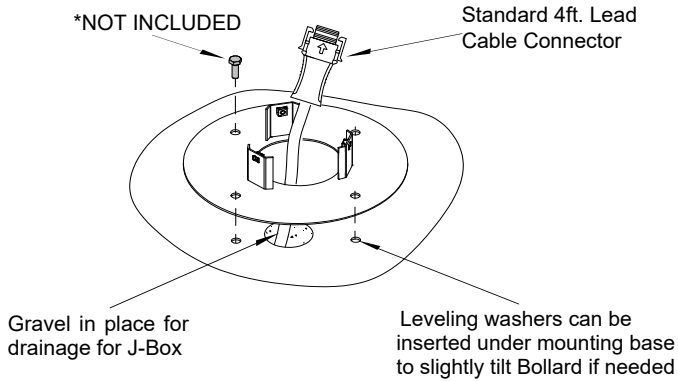
1US3510 Mounting Base Installation

C

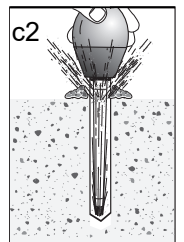


Once power cord has been connected install base onto position by drilling holes on the concrete and using anchor bolts

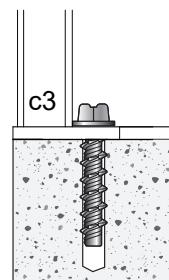
Use proper size drill bit for and drill holes (minimum of 3 holes required)



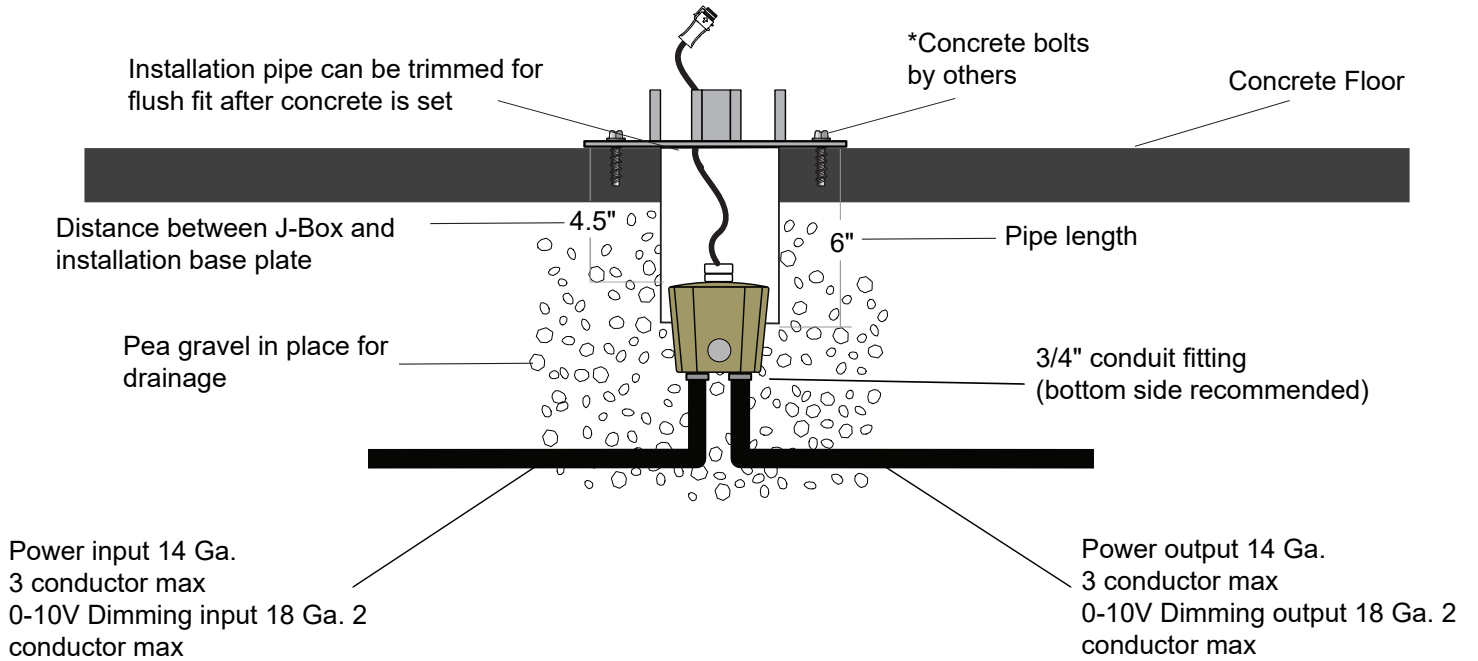
Clean holes using air nozzle (remove all debris)



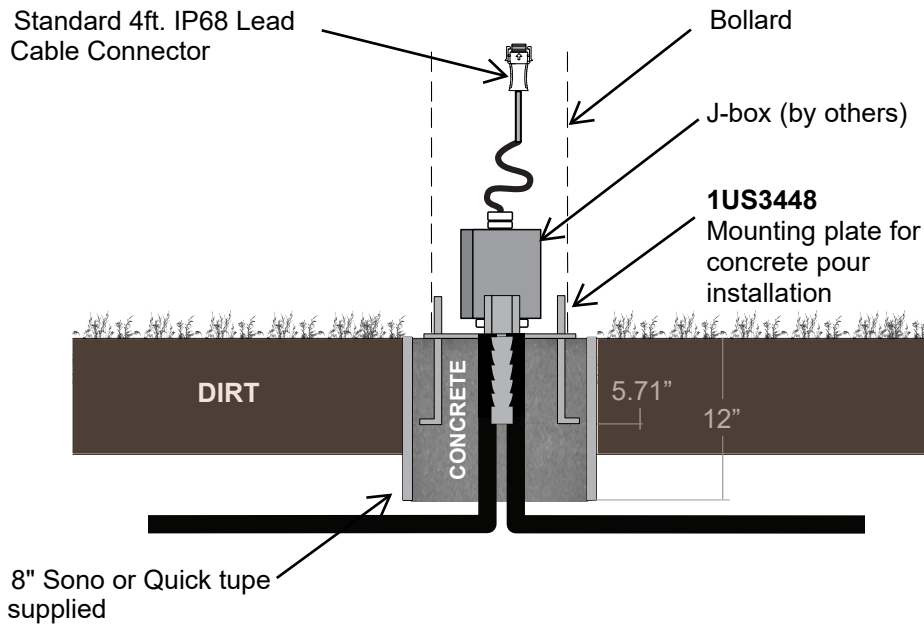
Place mounting base in position then drive anchor bolts using impact hammer drill until fully seated. Use leveling washers if needed to slightly tilt Bollard



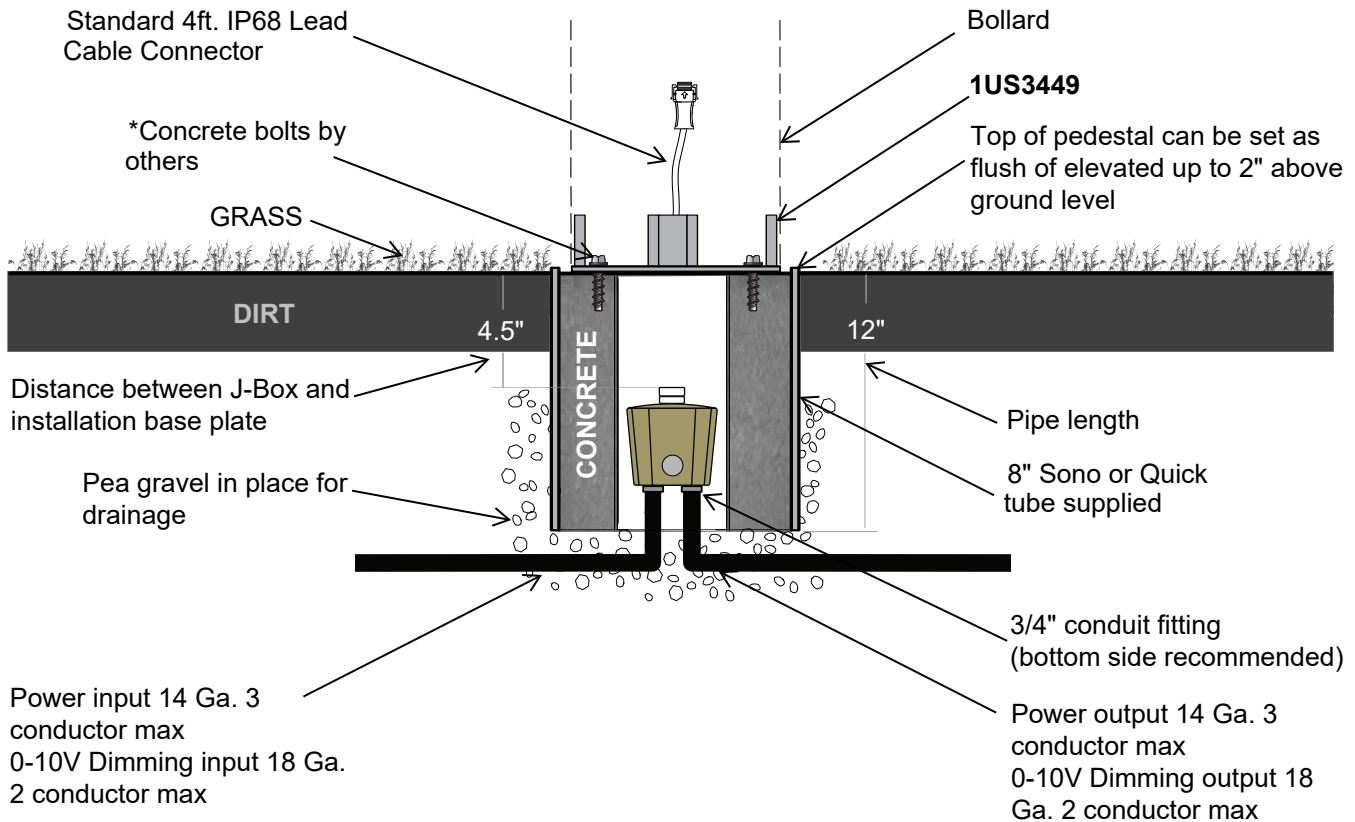
Drainage / J-Box Installation



Bollard Mounting with Concrete Pedestal



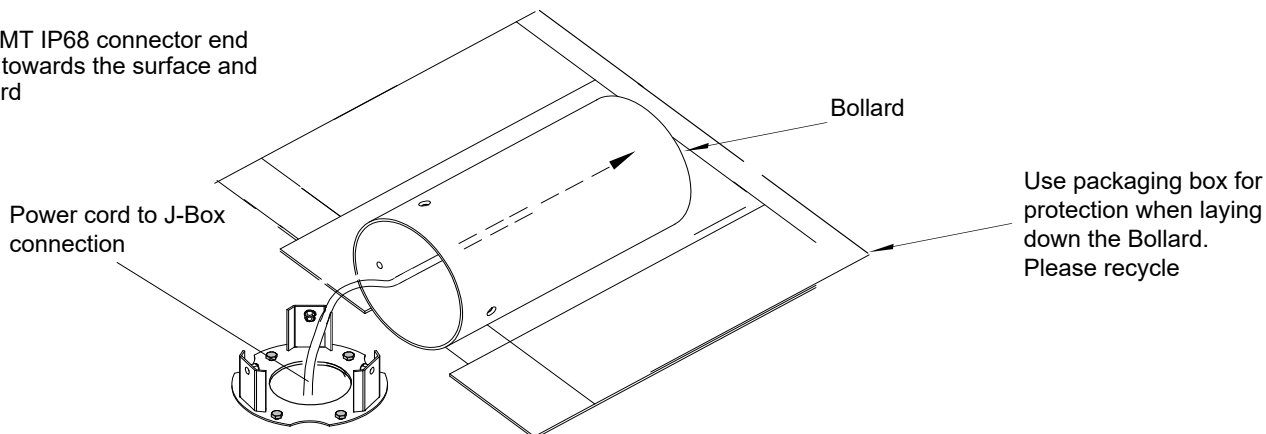
NOTE: Install according to local and NEC building codes. UL listed j-box supplied by others.



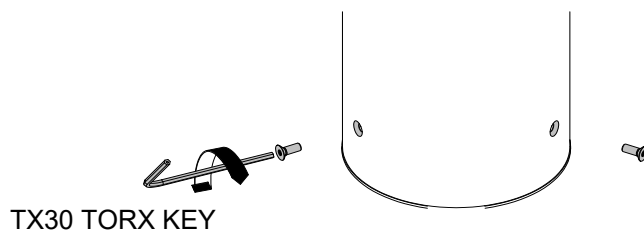
Bollard / LED Fixture Head Assembly

Step 1.

Insert the DSMT IP68 connector end of lead cable towards the surface and through Bollard

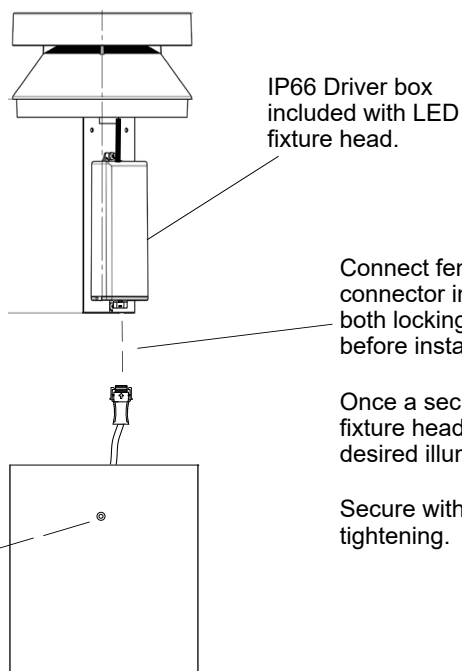


Step 2.



Once Bollard is in position secure to base with 3 fixing screws and tighten on a crisscross motion

Step 3.



Connect female IP68 4ft lead cable connector into fixture's head, make sure both locking wings are on lock position before installing fixture head onto Bollard.

Once a secure connection is made, insert fixture head into Bollard and rotate to desired illumination direction.

Secure with supplied TX20 screws by tightening.

Maintenance

This fixture was designed and manufactured for a durable, long lasting use with minimum care. To ensure the maximum lifespan of this product, we encourage our customers to provide a quality visual inspection of the fixture and installation accessories every six months. If there are any visible signs of issues (i.e moisture or dust) during the inspection, please clean any of the dust or moisture with a soft cloth and check to make sure that all fixtures are still operating normally. If there are any issues regarding the fixture please contact us as we will assist the situation at hand.

Support

Any questions, problems, or comments you have please feel free to contact our Customer Service department during our business hours Monday-Friday 8am-5pm via: Email: usaorders@targetti.com Phone: (714) 513-1991

Visit our website: <http://www.targettiusa.com>