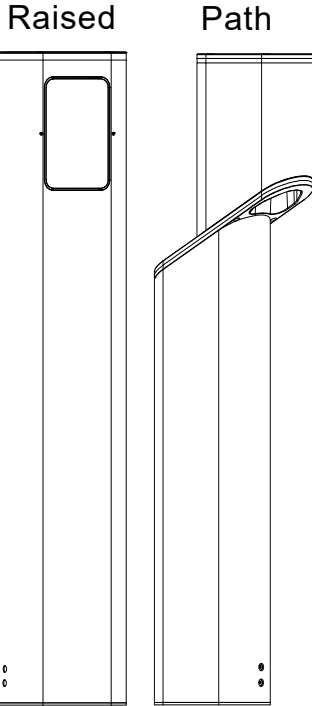




STILO Bollard Raised STRS- Path STPH-



WARNING

To ensure a maximum efficient use of the product, read the instructions before proceeding installment.

- This fixture must be installed by a licensed and qualified electrician. The installer must comply with NEC and local building codes when installing the fixture
- Electrical current can cause painful shock, serious injury, or even death. Make sure you turn off the power supply, ground fixture(s), and make sure all electrical connections are correct and secured tightly
- For use in IP67 installations.
- Keep the label of the original packaging if any eventual future claims are needed

120-277 VAC

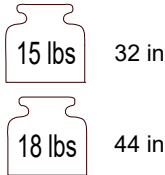
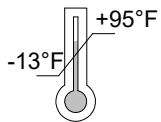
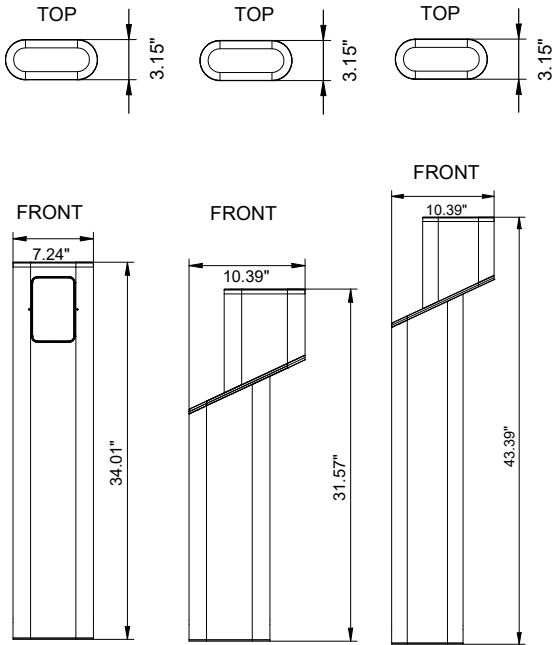


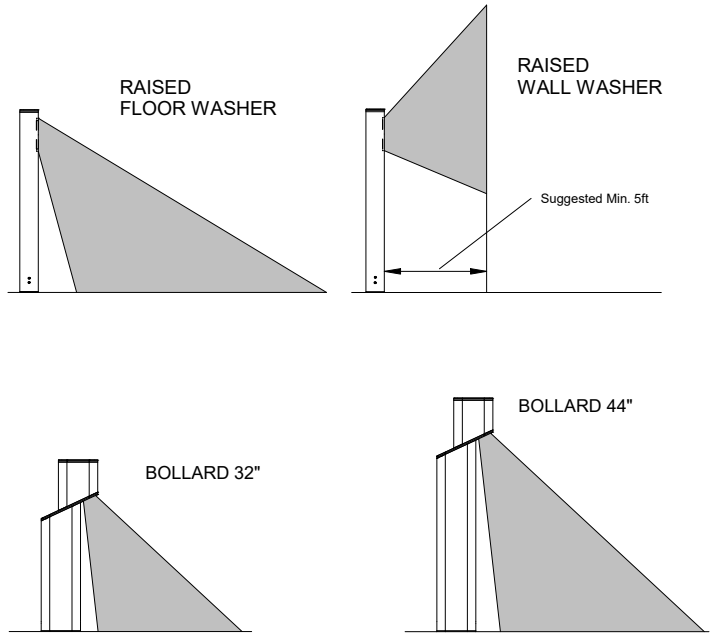
Table of Contents

Fixture Dimensions	Pg.2
Distribution of Light	Pg.2
Mounting Diagram	Pg.2
Mounting Installation	Pg.3-4
Maintenance	Pg.5
Support Page	Pg.6

Fixture Dimensions



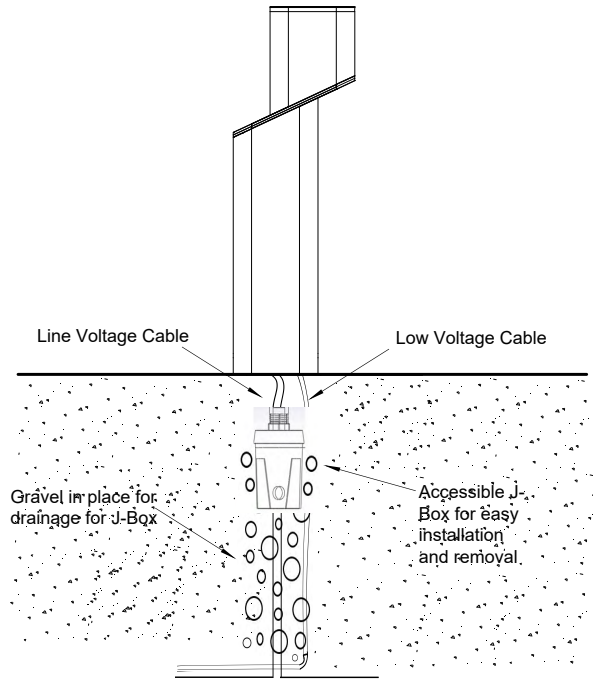
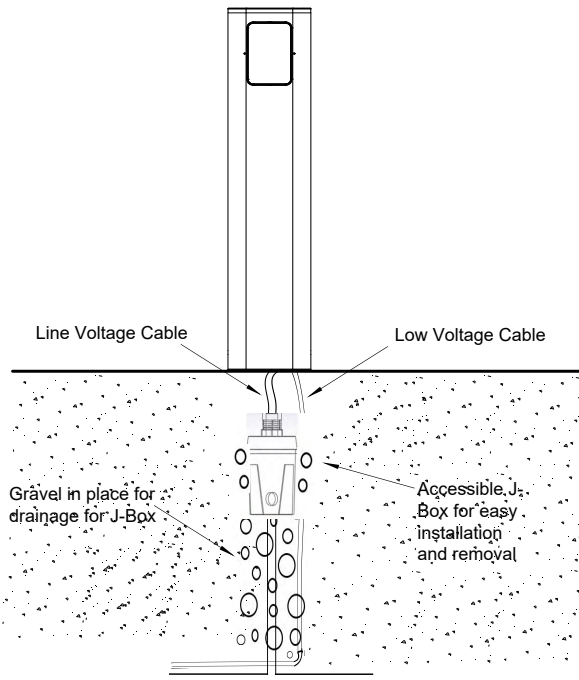
Distribution of Light



Mounting Diagram

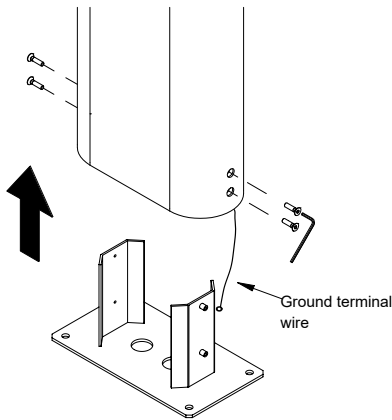
RAISED DIAGRAMM

BOLLARD DIAGRAMM



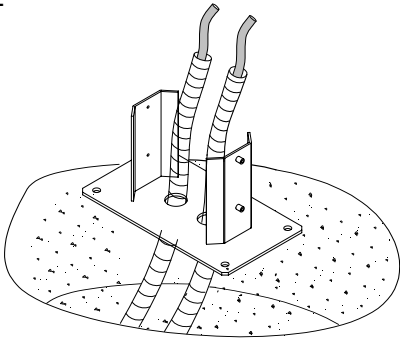
Mounting Instructions

1



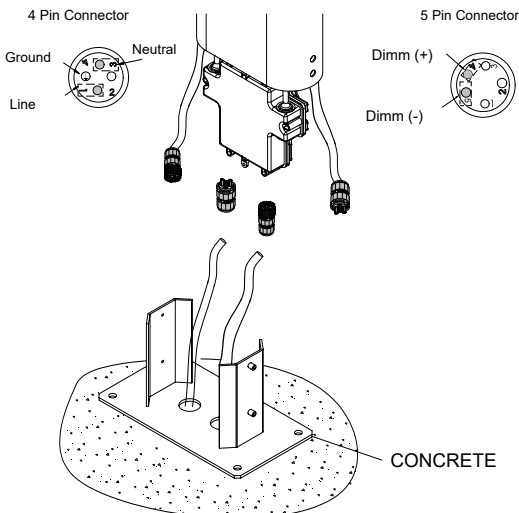
- Installer will need plate and the fixture to start the mounting process
 - Take the base plate and insert it into the bottom of the STILO fixture. Be sure that the base plate slides into the grooves of the fixture and secures with the 4 anti-theft screws. Make sure also the ring of the ground terminal fits on the top extruded screw terminal of the base plate.
 - Position the fixture based off of the preferred beam direction and mark the base plate mounted location. Once marked, remove the base plate from the fixture and place the base plate on the location to be ready for installation

2



- Run the power lines through the base plate of the fixture
 - Base plate is provided two holes, one for line voltage and one for low voltage dimming. Fixture will be provided with power cord and dimming cord. Power cord will connect to nearest accessible J-Box following NEC and building codes.

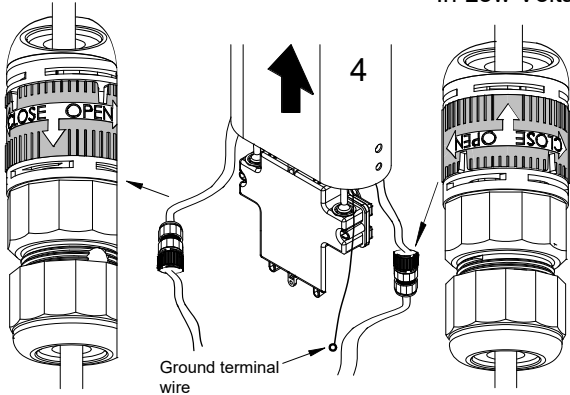
3



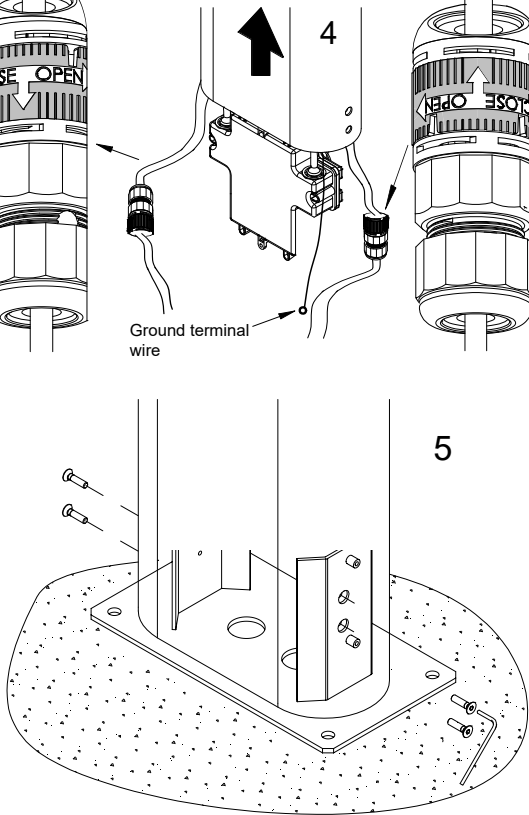
- Once both power lines are connected properly
 - Connect the main power line with the 4 pin male connector and the low voltage line with the 5 pin female connector.
 - Once connected and secured, be sure the base plate is properly placed before securing the base with concrete, cement, or securing it the best type of mounting anchor for the given mounting surface

Mounting Instructions

In Power Line



In Low Voltage



- When the base plate is secured and both connectors are secured on the wire
 - Connect the main power line connector with the 4 pin female connector located in the fixture and connect the low voltage connector with the 5 pin male connector located in the fixture as well.
 - Once connected be sure to properly tightened the connectors with the secure ring to provide a water tight seal.
- Place the connected wires and the driver box inside the fixture and slide the fixture onto the mounted base plate. Be sure to attach the ring of the ground terminal on the top extruded screw terminal of the base plate before attaching the fixture to the base plate for complete grounding of fixture. Secure the fixture onto the plate with the 4 anti-theft screws to secure the fixture and the base plate together.

Maintenance

This fixture was designed and manufactured for a durable, long lasting use with minimum care. To ensure the maximum lifespan of this product, we encourage our customer to provide a quality visual inspection of the fixture periodically.

If there are any irregular visible sign of issues (i.e moisture or dust) regarding the fixture please contact us as we will assist the situation at hand.ÁÁ

Support

Any questions, problems, or comments you have please feel free to contact our Customer Service department during our business hours Monday-Friday 8am-5pm via:

Email: usaorders@targett.com

Phone: (714) 513-1991

Visit our website: <http://www.targetti.us>

TARGETTI™