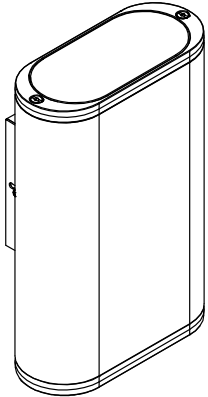


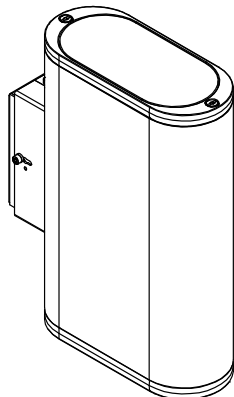


STILO Wall

Wall Flat



Wall Straight

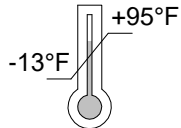


120-277VAC



5.51lbs

mono
emission



6.61lbs

double
emission

WARNING

To ensure a maximum efficient use of the product, read the instructions before proceeding installment.



This fixture must be installed by a licensed and qualified electrician. The installer must comply with NEC and local building codes when installing the fixture



Electrical current can cause painful shock, serious injury, or even death. Make sure you turn off the power supply, ground fixture(s), and make sure all electrical connections are correct and secured tightly



For use in IP67 installations.

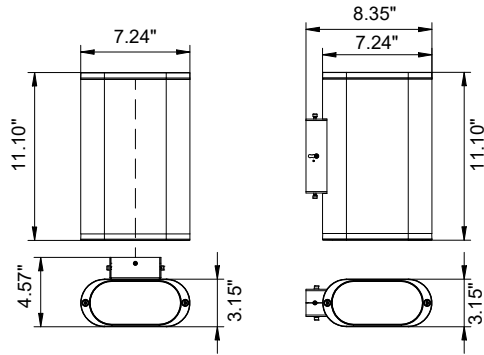


Keep the label of the original packaging if any eventual future claims are needed

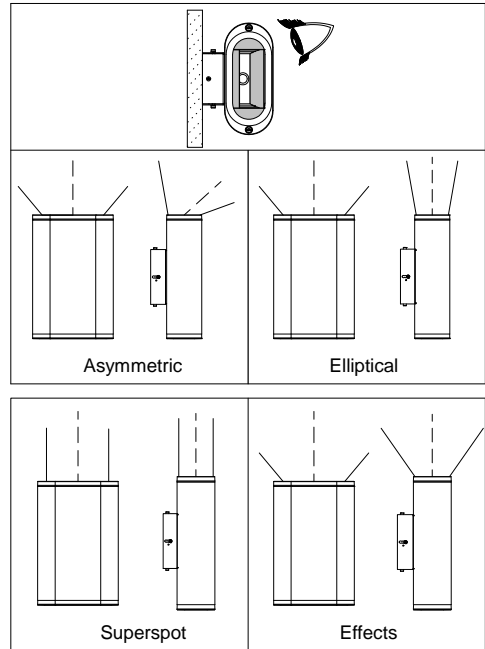
Table of Contents

Fixture Dimensions	Pg.2
Distribution of Light	Pg.2
Mounting Diagram	Pg.2
Mounting Installation	Pg.3-4
Maintenance	Pg.5
Support Page	Pg.6

Fixture Dimensions

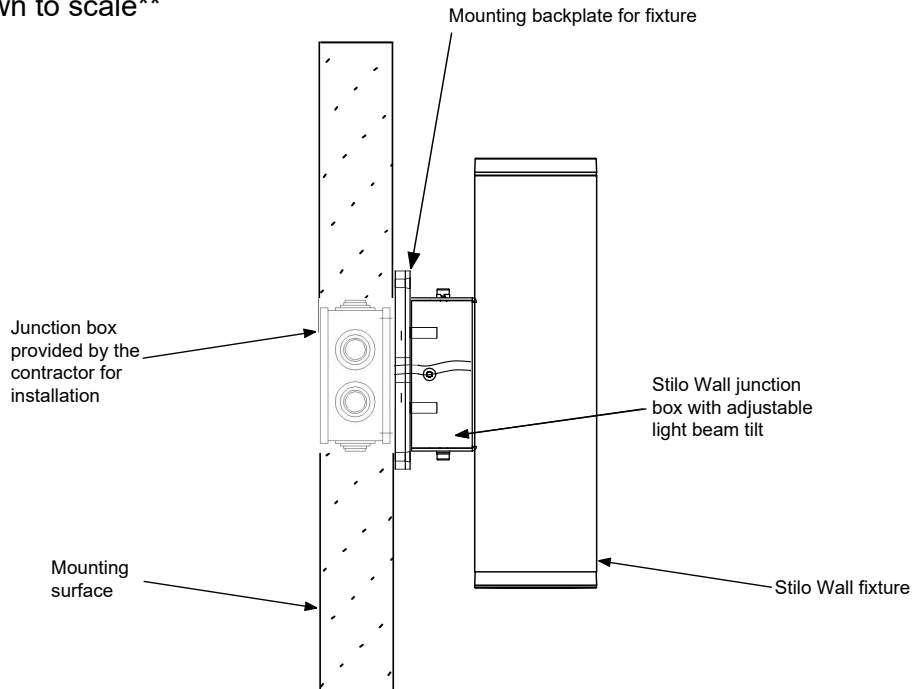


Distribution of Light



Mounting Diagram

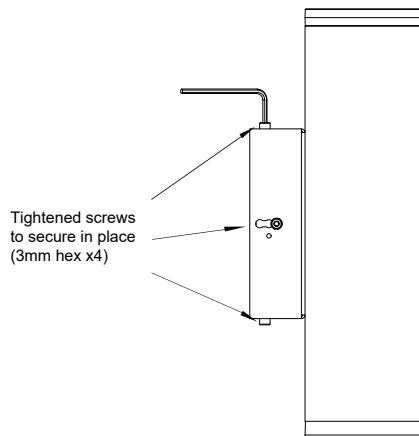
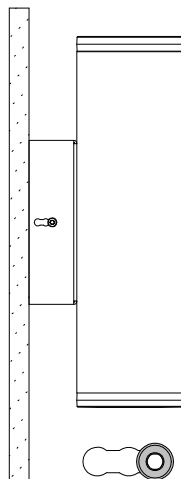
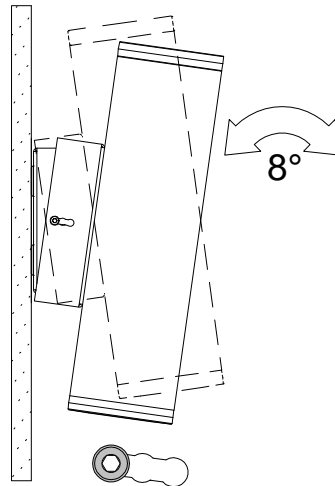
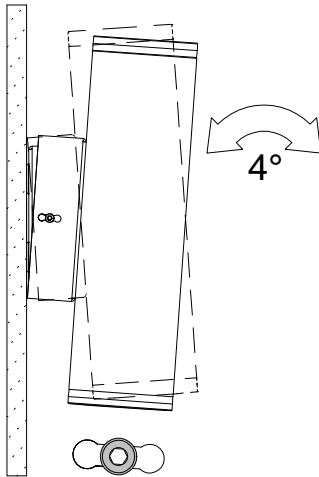
Diagram not drawn to scale



Side view of mounted fixture

Mounting Instructions

- Once the fixture is installed correctly, the installer will adjust the lighting illumination position for specific lighting. This fixture has three different positions for aiming the fixture. Based on the picture below, there is one setting with a 4° range of tilt aiming and another one with an 8° tilt aim ability. The third option of installation is a straight 0° aiming to ensure a straight up and down. Once the installer finds their desired aiming position, the installer will secure all four screws with a 3mm Allen hex key and make sure that the fixture is secured in place.



Maintenance

This fixture was designed and manufactured for a durable, long lasting use with minimum care. To ensure the maximum lifespan of this product, we encourage our customer to provide a quality visual inspection of the fixture periodically.

If there are any irregular visible sign of issues (i.e moisture or dust) regarding the fixture please contact us as we will assist the situation at hand.ÁÁ

Support

Any questions, problems, or comments you have please feel free to contact our Customer Service department during our business hours Monday-Friday 8am-5pm via:

Email: usaorders@targett.com

Phone: (714) 513-1991

Visit our website: <http://www.targetti.us>

TARGETTI™