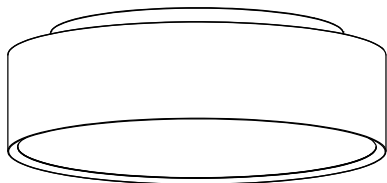


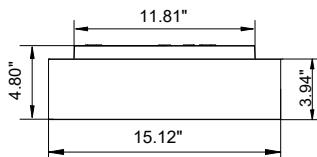
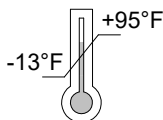


THREESIXTY Surface Mount

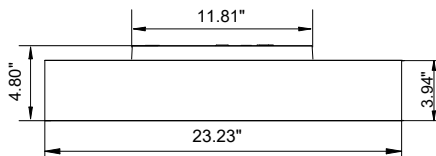
PART NUMBER: 360SF-



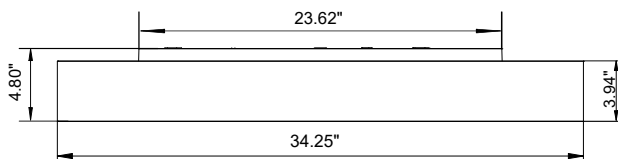
120-277VAC
50/60Hz



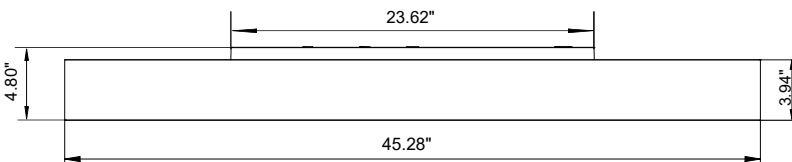
DOWN	UP/DOWN
7.94 lbs	10.14 lbs



DOWN	UP/DOWN
15.87 lbs	17.64 lbs



DOWN	UP/DOWN
26.46 lbs	28.66 lbs



DOWN	UP/DOWN
50.71 lbs	52.91 lbs

K 5 FB-B;

To ensure a maximum efficient use of the product, read the instructions before proceeding installment.



This fixture must be installed by a licensed and qualified electrician. The installer must comply with NEC and local building codes when installing the fixture.



Electrical current can cause painful shock, serious injury, or even death. Make sure you turn off the power supply, ground fixture(s), and make sure all electrical connections are correct and secured tightly.



For use in IP20 installation only.



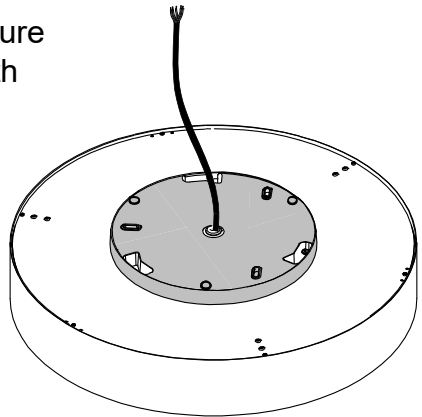
Keep the label of the original packaging if any eventual future claims are needed

Table of Contents

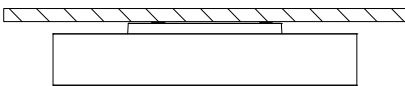
Packaging Contents	Pg.2
Mounting Orientation	Pg.2
Mounting Prep	Pg.3
Mounting Installation	Pg.4
Maintenance	Pg.5
Support Page	Pg.6

Packaging contents

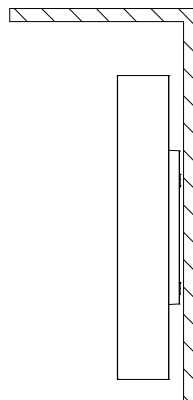
Each THREESIXTY Surface Mount fixture comes with a pre-assembled fixture with power cable attached on the fixture



Mounting Orientation



Ceiling Mount



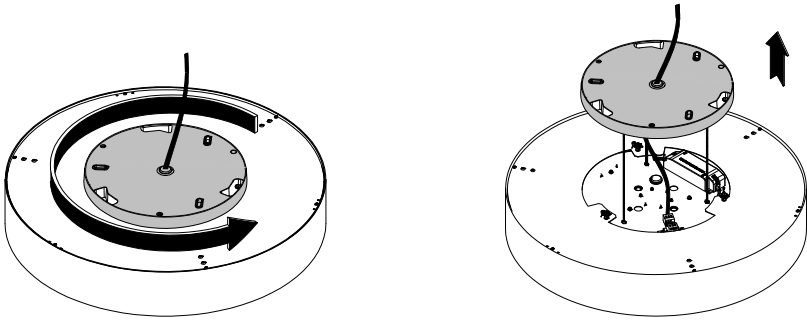
Wall Mount

All surface mount installation must be correctly secured by the correct mounting fasteners based on mounting surface. Mounting of fixture must also comply with NEC and local building code.

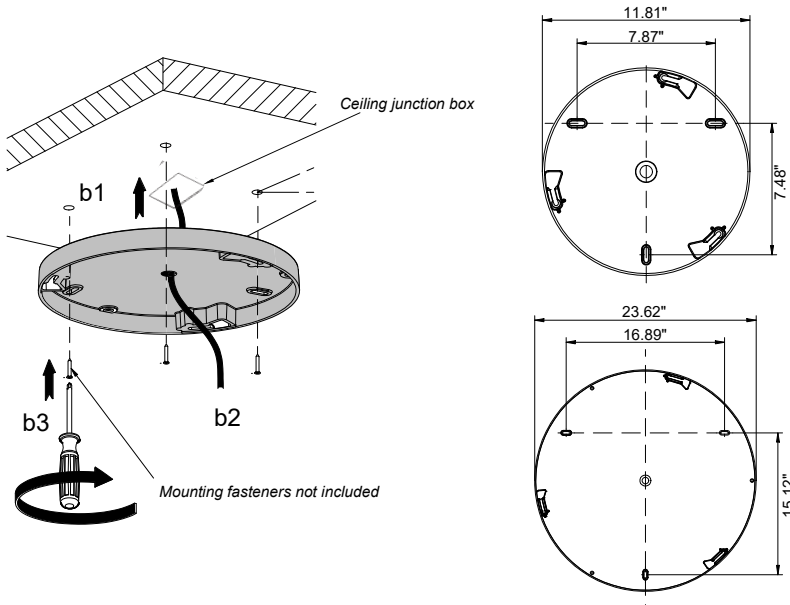
Mounting Preparation

- A) Find the mounting plate, which is located on top of the fixture. Once found, dismount the mounting plate from the fixture by turning the mounting plate counterclockwise to its unlock position and lift the plate from the fixture. **Note: Surface mount plate is attached onto the fixture with safety cables. Be sure to have the proper equipment and extra help when mounting the fixture.**
- B) Once removed from the fixture, use the mounting plate as a template to mark the mounting locations for the surface mounting installation and power cable on the desired mounting surface. There are three mounting positions each 120 degrees apart from one another for uniformed tension displacement. Be sure to secure the plate with the correct mounting fasteners based on mounting surface and that the mounting complies with NEC and local building code.

A



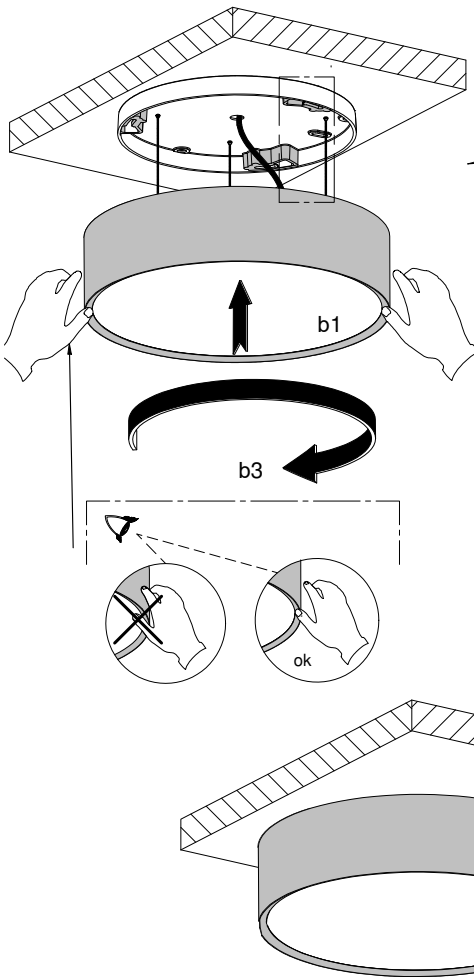
B



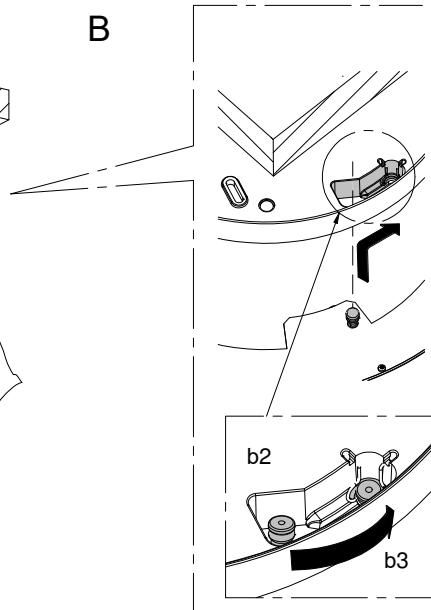
Mounting installation

- A) When the mounting plate is secured onto the mounting surface, it is time to lock the mounting plate onto the fixture. Obtain the fixture and bring it towards the secured mounting plate. Be sure to hold the fixture without touching the fixture's lens to prevent any type of damage during installation.
- B) When the fixture is with the mounting plate, align the three brass lock pins located on the back of the fixture and align them into the three spring lock openings on the mounting plate. Once the lock pins are through the mounting plate, lock the fixture onto the mounting plate by rotating the fixture clockwise until the lock pins secure tightly on the lock springs of the mounting plate thus holding the fixture securely in place.

A



B



Maintenance

This fixture was designed and manufactured for a durable, long lasting use with minimum care. To ensure the maximum lifespan of this product, we encourage our customer to provide a quality visual inspection of the fixture every six months.

If there are any visible sign of issues (i.e moisture or dust) during the inspection, please clean any of the dust or moisture with a soft cloth and check to make sure that any of the fixtures are still operating normally. If there are any issues regarding the fixture please contact us as we will assist the situation at hand.

Support

Any questions, problems, or comments you have please feel free to contact our Customer Service department during our business hours Monday-Friday 8am-5pm via:

Email: usaorders@targetti.com

Phone: (714) 513-1991

Visit our website: <http://www.targetti.us>