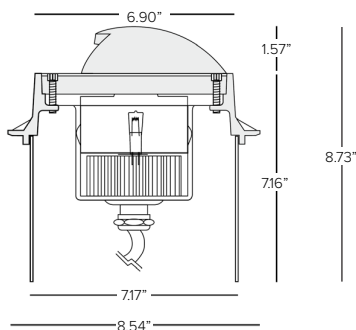
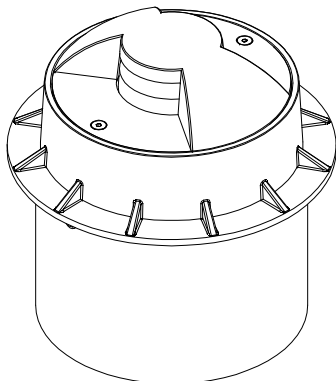




Titano Installation Guide

Product code: TIT-



K 5 FB-B;

To ensure a maximum efficient use of the product, read the instructions before proceeding installment.



This fixture must be installed by a licensed and qualified electrician. The installer must comply with NEC and local building codes when installing the fixture



Electrical current can cause painful shock, serious injury, or even death. Make sure you turn off the power supply, ground fixture(s), and make sure all electrical connections are correct and secured



For use in IP67 installations.



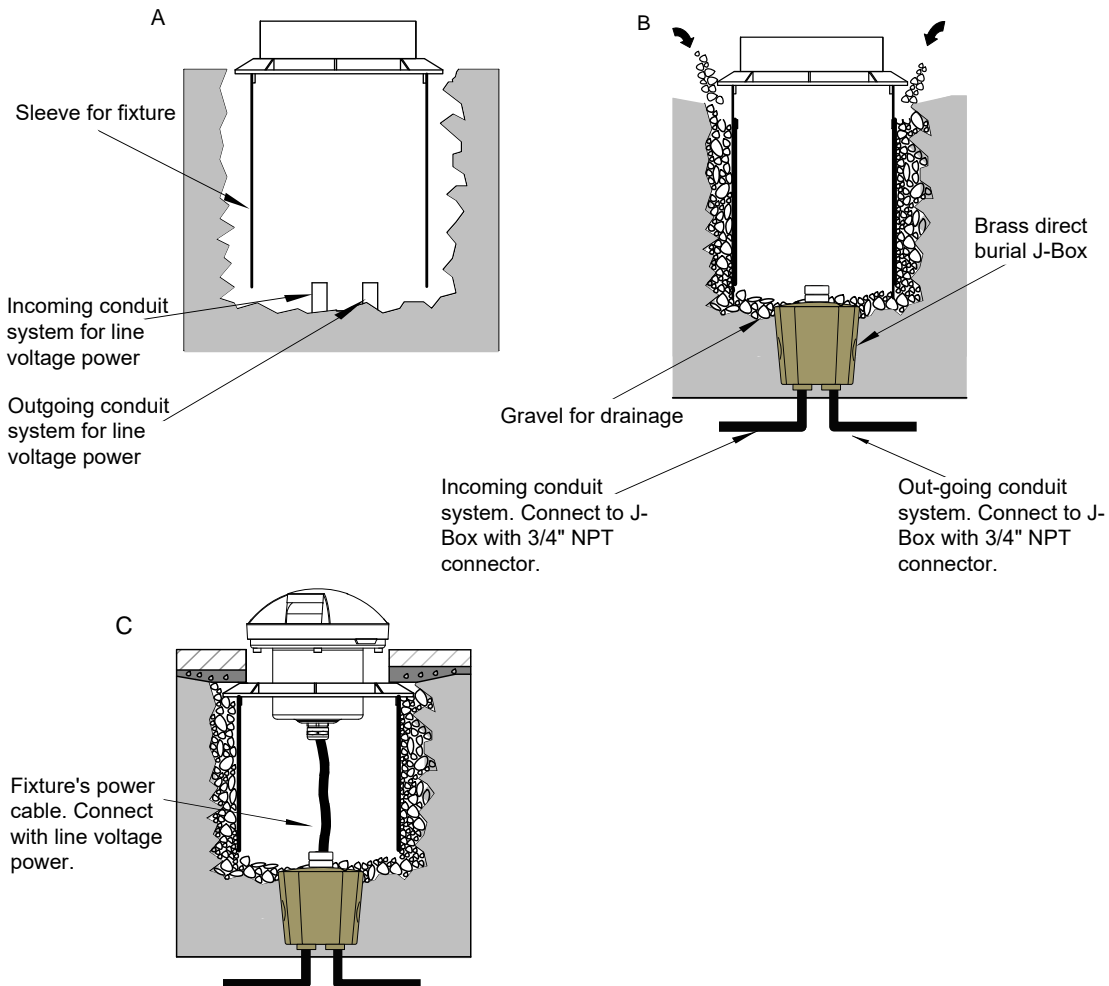
Keep the label of the original packaging if any eventual future claims are needed

Table of Contents

Installation Instructions	Pg.2
Fixture Preparation	Pg.3
Maintenance	Pg.4
Support Page	Pg.4

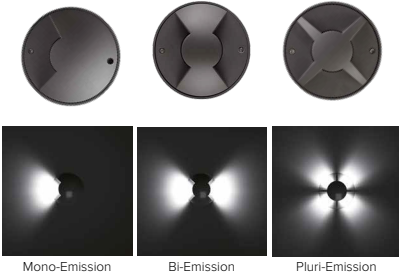
Installation Instructions

- A. Installers will dig out trenches to prep the sleeve
- Put gravel in the trenches for the J-Box. Requirement by UL for adequate drainage.
 - Safety net covers below the J-Box and the conduit pipe to warn diggers what is below.
- B. Position of the J-Box must be an accessible depth between 8.5-11.5" required for maintenance.
- C. Once the sleeve is installed, wire the fixture's power cable through the J-Box and connect the power cord to the J-Box wiring. **Make sure the power is not live before connecting power cord to line voltage through the J-Box.** Once power cord is connected, connect the power cord with the fixture. Be sure to secure the connection with water tight connectors to ensure no water leakage inside the connector.



Fixture Preparation

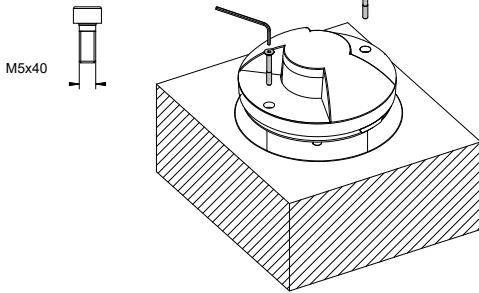
1



1. Once sleeve is set and fixture is connected, adjust your viewing optic for lighting preference based on fixture's emission type.
2. After, secure the fixture onto the sleeve with 2 M5 screws

- a. Apply only 2.95ft-lbs (4Nm) of torque to efficiently secure the fixture. Make sure to provide a tight and even holding for the fixture and sleeve to ensure the fixture is secured.

2



Maintenance

- This fixture was designed and manufactured for a durable, long lasting use with minimum care. To ensure the maximum lifespan of this product, we encourage our customer to provide a quality visual inspection of dirt, abnormalities, or signs of moisture inside or around the fixture every six months.
- If there are any visible sign of issues during the inspection, please open the fixture, wipe off any moisture inside the fixture and clean any of the dirt fixture with a soft cloth with cleaning solution around the trim ring and the ring of the fixture.
 - **D@5 G9`8-G7 CBB97H`H<9` : -LHI F9`69: CF9`
7 @5 B-B;**
 - **8 C`BCH`GDF5 M5 BM7 @5 B-B; `GC @ H-CB`8-F97H@M
CB`H<9`CDH7 G**
- Once finished with fixture maintenance, be sure to install the trim ring according to the trim installation directions (pg. 3).

Support

Any questions, problems, or comments you have please feel free to contact our Customer Service department during our business hours Monday-Friday 8am-5pm via:

Email: usaorders@targett.com

Phone: (714) 513-1991

Visit our website: <http://www.targett.us>