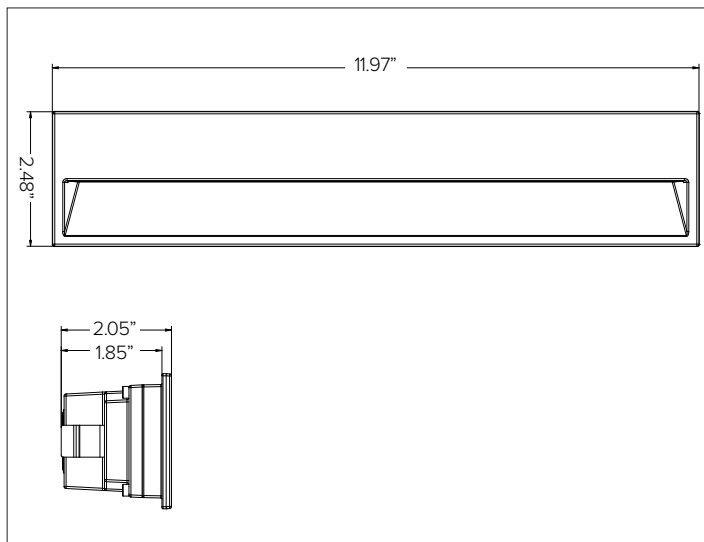


ZEDGE LINE

Recessed Direct View Linear Line Voltage Steplight



Shown in Ferrite Grey finish.



CONCEPT

Recessed LED steplight for indoor and outdoor applications. Designed in collaboration with Gensler as Product Design Consultant.

MECHANICAL CHARACTERISTICS

Housing	2.50"H x 12.00"W x 2.05"D
Materials	Die-cast anodized aluminum body and external powder coated frame.
Finish	Textured finish. ● Ferrite Dark Grey ● Heritage Brown ● Bronze ● Black ● White ● Sandstone Grey
Power Connection	Pre-wired with 6" lead for direct line voltage and dimming connection.
Mounting	To be completed with installation back box for flush or semi-flush installations
BUG	BO-U1-GO
Weight	1.54lbs
Protection	IP66
Impact	IK10

CERTIFICATIONS

cULus Wet Location Listed.
 Tested in accordance with LM-79-08.
 Compliant for California installations.
 RoHS3 EU 215/863

WARRANTY

5 year limited warranty

SUSTAINABILITY

Luminaire designed for disposal/recycling at end-of-life. Replaceable LED light source and control gear by a Targetti technician.

ELECTRICAL CHARACTERISTICS

Power Supply	Integrated 4/1 smart driver (Non-dimmable / 0-10V / Reverse Phase / Forward Phase). Dimmable to <10% via 0-10V or <15% via Phase.
Wattage	9W
Voltage	Universal Voltage 120-277V AC 50/60Hz
Operating Temp.	-25°C / +35°C

SOURCE

LED High efficiency Board.

TM30	CCT (Nominal)	CRI	Rf	Rg	SDCM
	2700K	90	90.9	100.1	2
	3000K	90	91.4	100.8	2
	3500K	90	90.3	100.4	2
	4000K	90	89.8	98.7	2

OPTIC

Polycarbonate opal lens for uniform optical distribution on the floor and excellent visual comfort.



Beam	48° x 86°
Delivered Lumens	2700K 194Lm 3000K 203Lm 3500K 205Lm 4000K 206Lm
Efficacy	23Lm/W max. Refer to photometric graphs for specific values.
Lifetime	L95/B10 30,000hrs at max TA +25°C L94/B10 50,000hrs at max TA +25°C
Photobiological Classification	Low risk photobiological safety RG1

ZEDGE LINE

SPECIFICATION INFORMATION

ZEL	41						/	
1	2	3	4	5	6	7	8	
Ex: ZEL41FWFEL330 / 1E3447						OPTIONAL	REQUIRED	

1 - PRODUCT CODE	2 - DRIVER	3 - FACEPLATE	4 - FINISH	5 - WATTAGE	6 - KELVIN	7 - OPTIONAL
ZEL — ZEDGE LINE	41 — 4/1 Smart Dimming (Non-Dimming / 0-10V / Reverse Phase / Forward Phase)	FW — Floor Washer	FE — Ferrite Dark Grey HB — Heritage Brown BZ — Bronze WT — White BT — Black SG — Sandstone Grey RAL — Custom RAL	L3 — 9W	27 — 2700K 30 — 3000K 35 — 3500K 40 — 4000K	MG ^A — Marine Grade

8 - INSTALLATION

[Installation Box](#)
See section for details

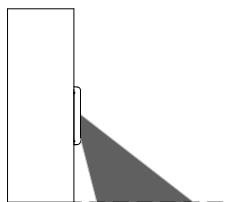
^A Marine Grade is recommended for use in environments with occasional exposure to salt air, reclaimed water, fertilizers, chemical cleaners, or frequent pressure washing (steam) cleaning. Fixture housing complete with marine grade cathaphoresis suitable for use in marine grade environments. Not to be in direct contact with salt or corrosive agents for extended periods of time.

For applicable quick ship items, see model configurations listed below. Lead time for quick ship fixtures is 1-2 weeks from processed PO date. Consult factory for quantities of over 20pcs to confirm lead time.



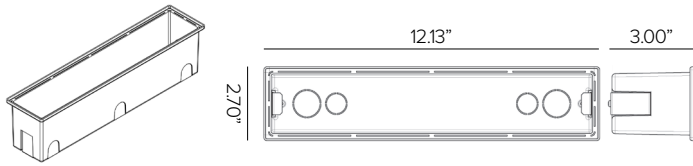
FACEPLATE STYLE

(FW) FLOOR WASHER



ZEDGE LINE

8 – INSTALLATION (REQUIRED)



PVC installation back box for flush or semi-flush installations, black finish. 3/4" and 1/2" knock-outs made for EMT connectors and conduit entry. Suitable for concrete pour, drywall, or stucco applications.

Part No. **1E3447**

ZEDGE LINE

PHOTOMETRY

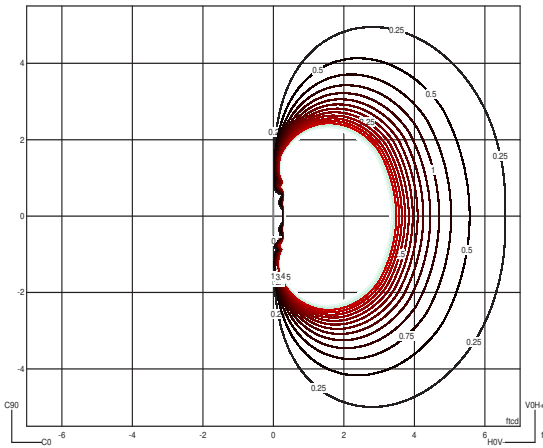
	2700K	H(m)	D1(m)	D2(m)	E _{max} (lx)		
	Ra90	48°	86°				
	Fixture Power	9W	1	2.40	3.05	93	
	Source Flux	1008lm	2	4.81	6.10	23	
	Fixture Flux	194lm	3	7.21	9.15	10	
	Efficacy	21lm/W	4	9.61	12.19	6	
TS1885	I _{max} =174cd/klm	I _{max}	175cd	5	12.02	15.24	4

	3000K	H(m)	D1(m)	D2(m)	E _{max} (lx)		
	Ra90	48°	86°				
	Fixture Power	9W	1	2.40	3.05	97	
	Source Flux	1054lm	2	4.81	6.10	24	
	Fixture Flux	203lm	3	7.21	9.15	11	
	Efficacy	22lm/W	4	9.61	12.19	6	
TS1885	I _{max} =174cd/klm	I _{max}	183cd	5	12.02	15.24	4

	3500K	H(m)	D1(m)	D2(m)	E _{max} (lx)		
	Ra90	48°	86°				
	Fixture Power	9W	1	2.40	3.05	98	
	Source Flux	1063lm	2	4.81	6.10	24	
	Fixture Flux	205lm	3	7.21	9.15	11	
	Efficacy	22lm/W	4	9.61	12.19	6	
TS1885	I _{max} =174cd/klm	I _{max}	185cd	5	12.02	15.24	4

	4000K	H(m)	D1(m)	D2(m)	E _{max} (lx)		
	Ra90	48°	86°				
	Fixture Power	9W	1	2.40	3.05	99	
	Source Flux	1072lm	2	4.81	6.10	25	
	Fixture Flux	206lm	3	7.21	9.15	11	
	Efficacy	23lm/W	4	9.61	12.19	6	
TS1885	I _{max} =174cd/klm	I _{max}	186cd	5	12.02	15.24	4

ISOLUX DIAGRAM



MOUNTING HEIGHT = 18"

LCS GRAPH

