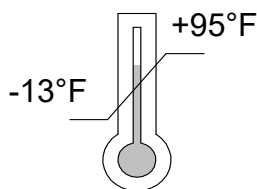
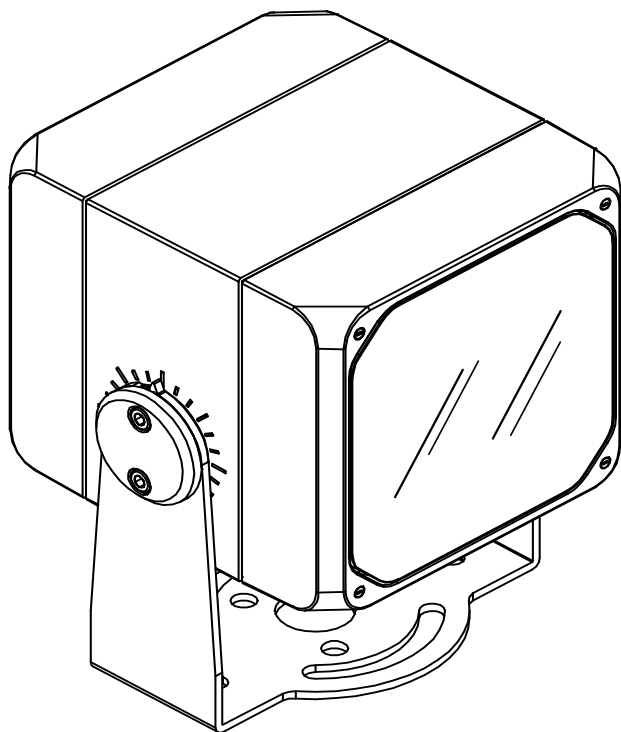




DART Medium - RGBW

CODE: DAMRP-



If in doubt about the symbols please refer to catalog or website

WARNING

To ensure a maximum efficient use of the product, read the instructions before proceeding installation. ***Please make sure the fixture is sealed correctly and the trim ring is properly tightened.**



This fixture must be installed by a licensed and qualified electrician. The installer must comply with NEC and local building codes when installing the fixture



Electrical current can cause painful shock, serious injury, or even death. Make sure you turn off the power supply, ground fixture(s), and make sure all electrical connections are correct and secured



This fixture must not be installed during rain, fog, or high humidity



For use in IP66 installations.

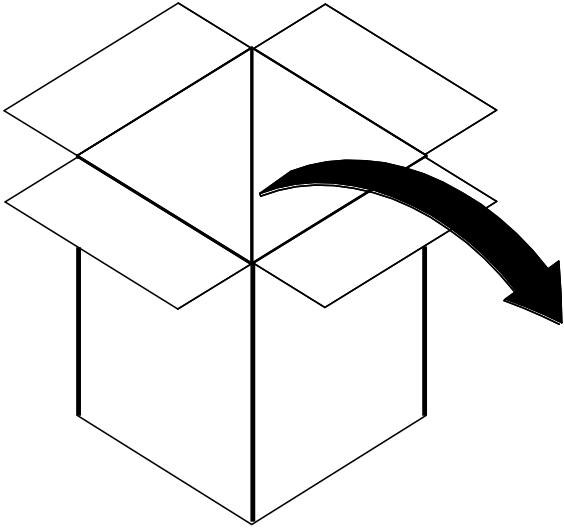


Keep the label of the original packaging if any eventual future claims are needed

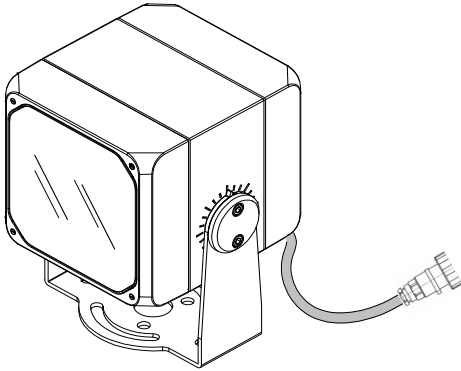
Table of Contents

| | |
|-----------------------------------|--------|
| Packaging Contents / Dimensions | Pg.2 |
| Fixture Wiring Diagram | Pg.3 |
| DMX Signal Connection | Pg.4 |
| Fixture Installation Instructions | Pg.5/6 |
| Accessories | Pg.7/8 |
| Maintenance / Support Page | Pg.9 |

Packaging contents

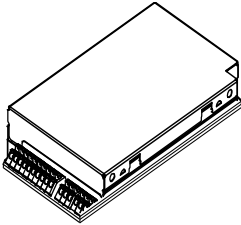


Box 8.5"x8.5"x8.5"



LED Fixture 1 ea.

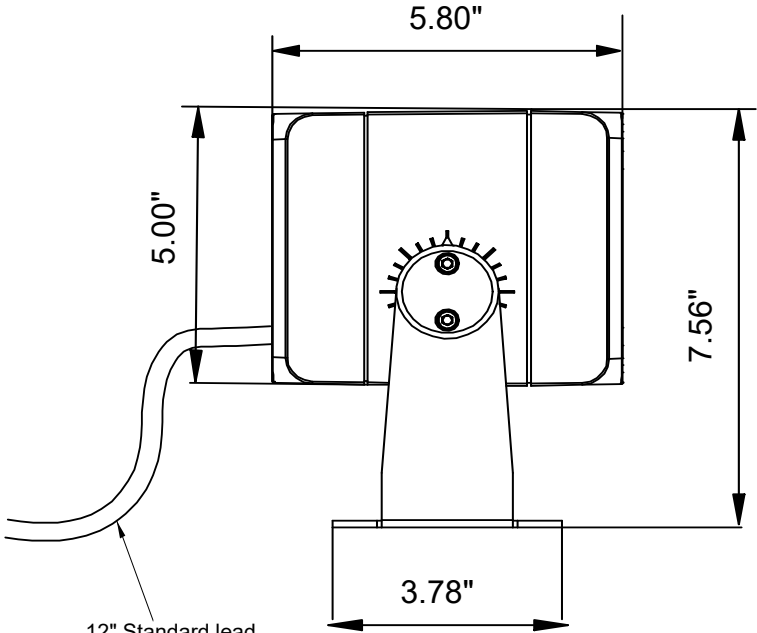
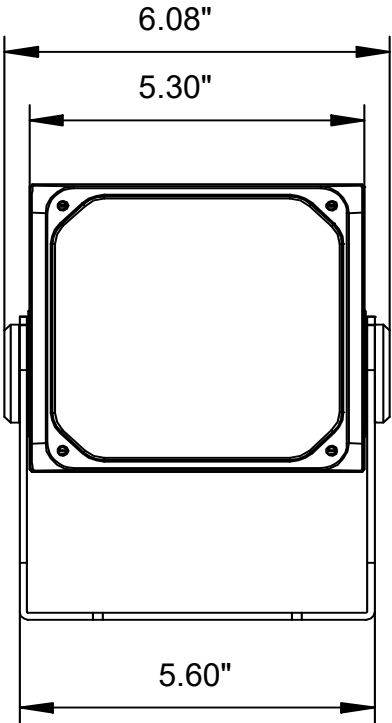
Dimensions:
6"x3"x1.2"
(standalone)



CODE: PS041

DMX Power Supply
sold separately
(Required 1 per fixture)

Dimensions

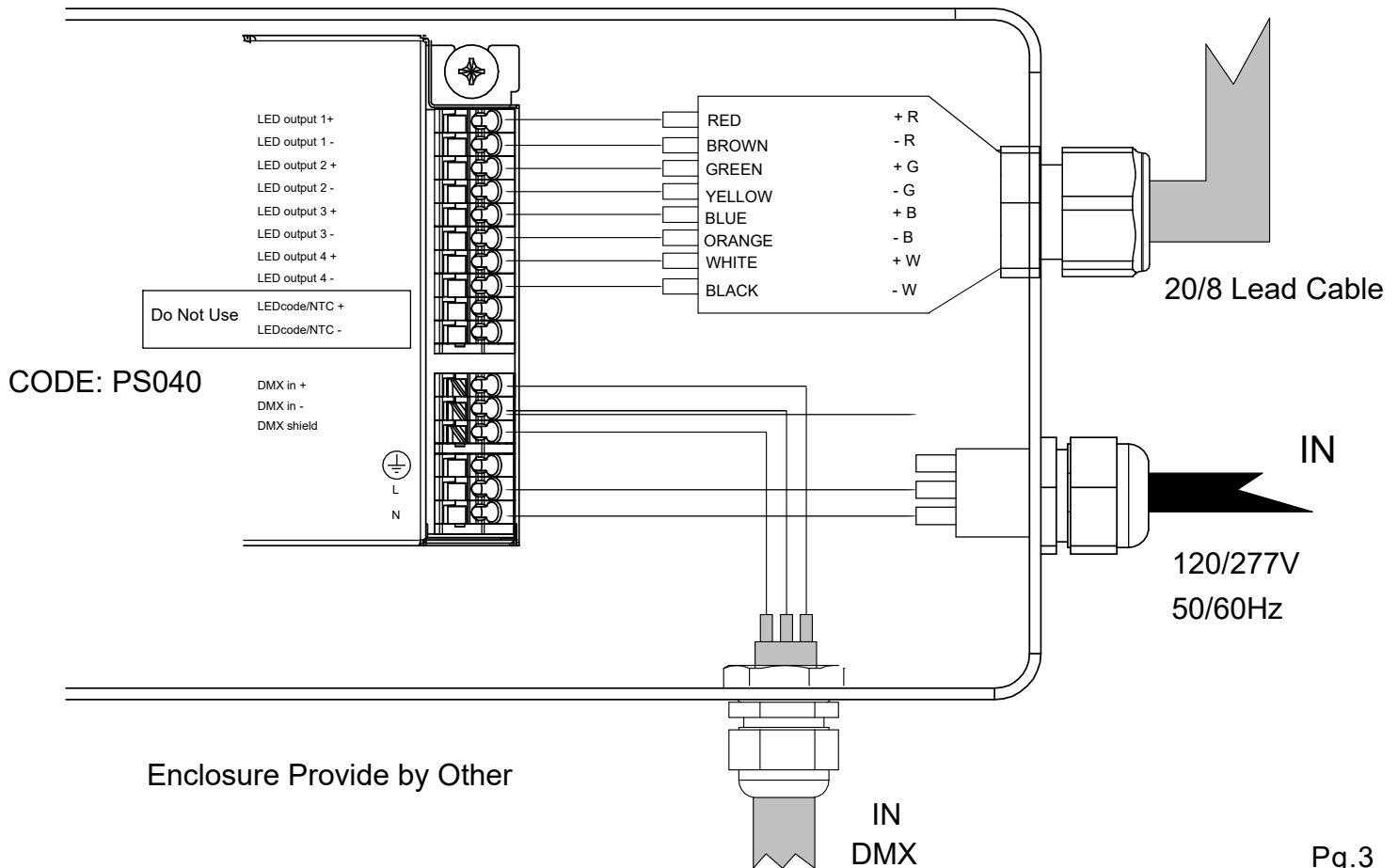
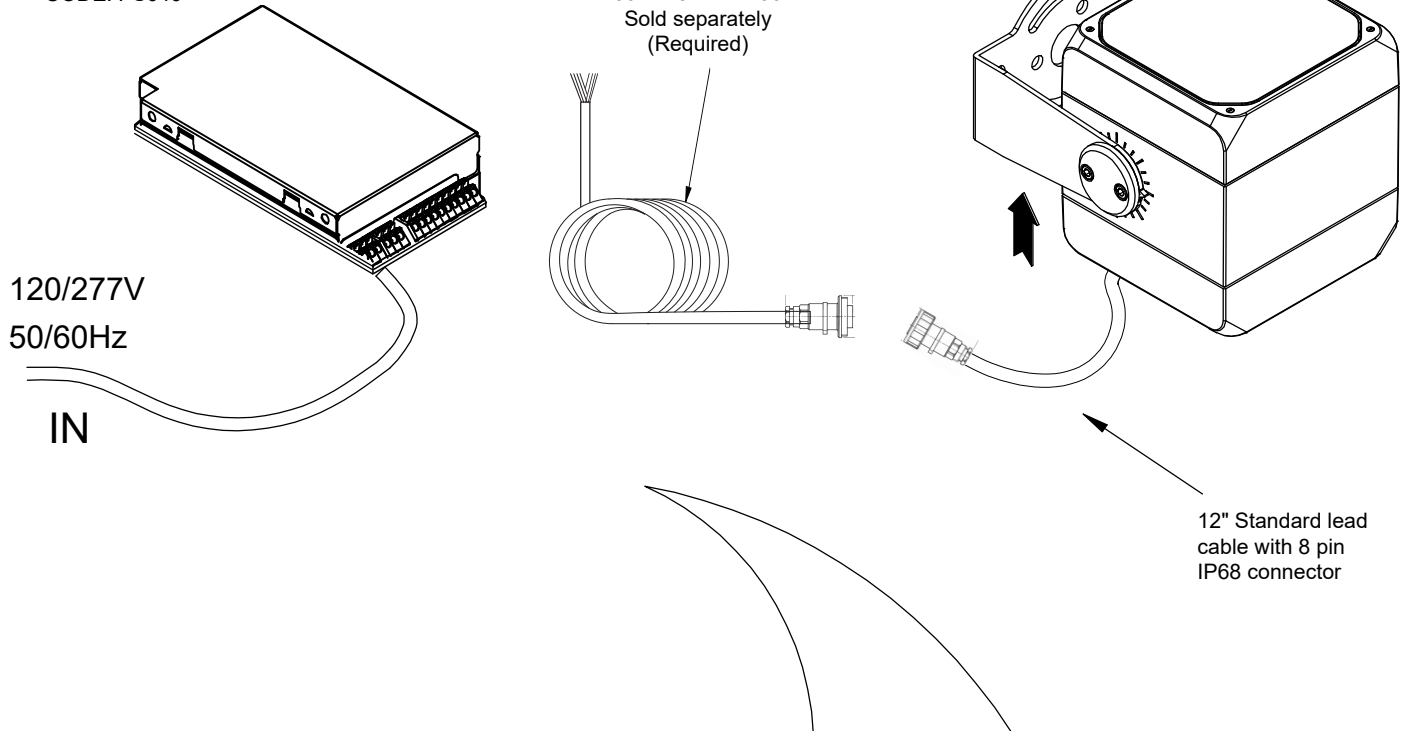


12" Standard lead
cable with 8 pin
IP68 connector

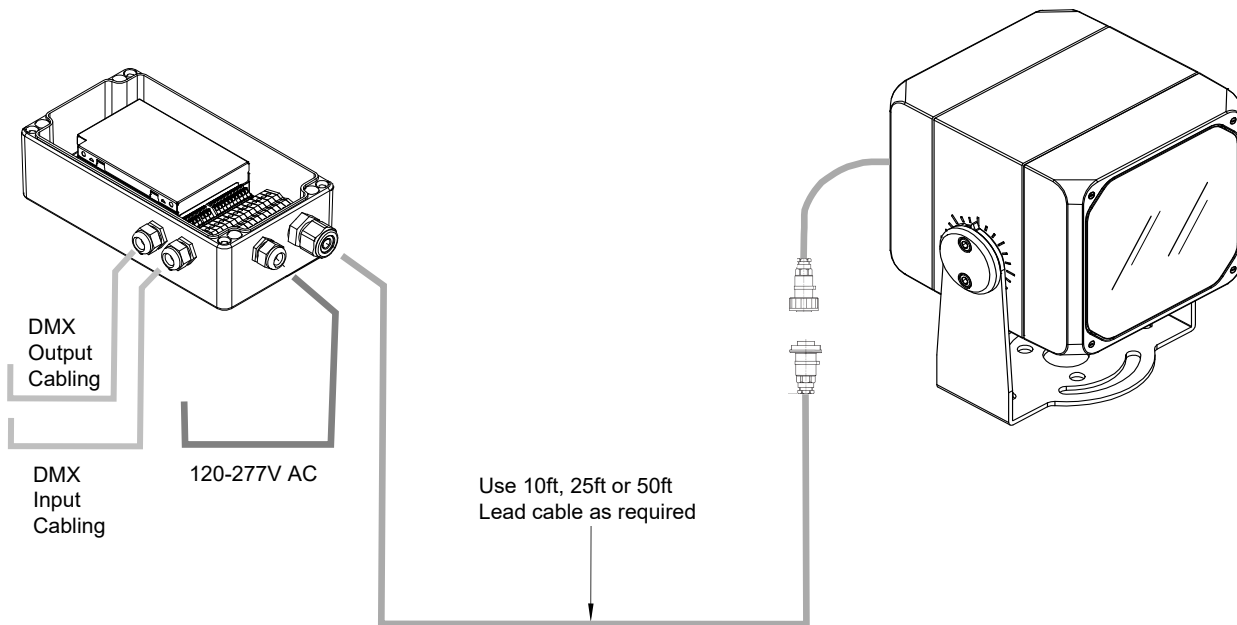
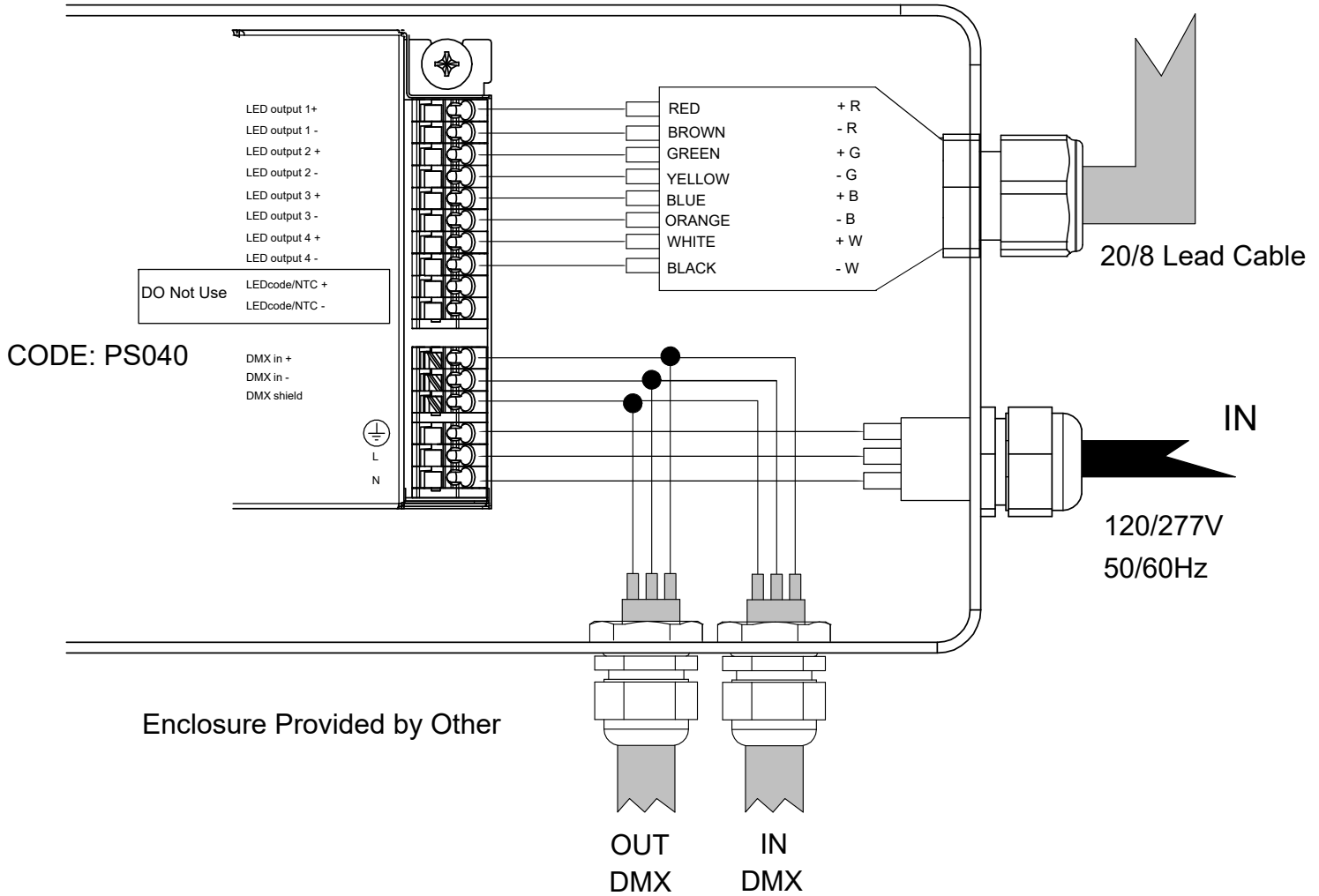
Fixture Wiring Diagram

Dimensions:
6"x3"x1.2"
(standalone)
CODE: PS040

10' DX8PLEAD10
25' DX8PLEAD25
50' DX8PLEAD50
Sold separately
(Required)



DMX Signal Connection

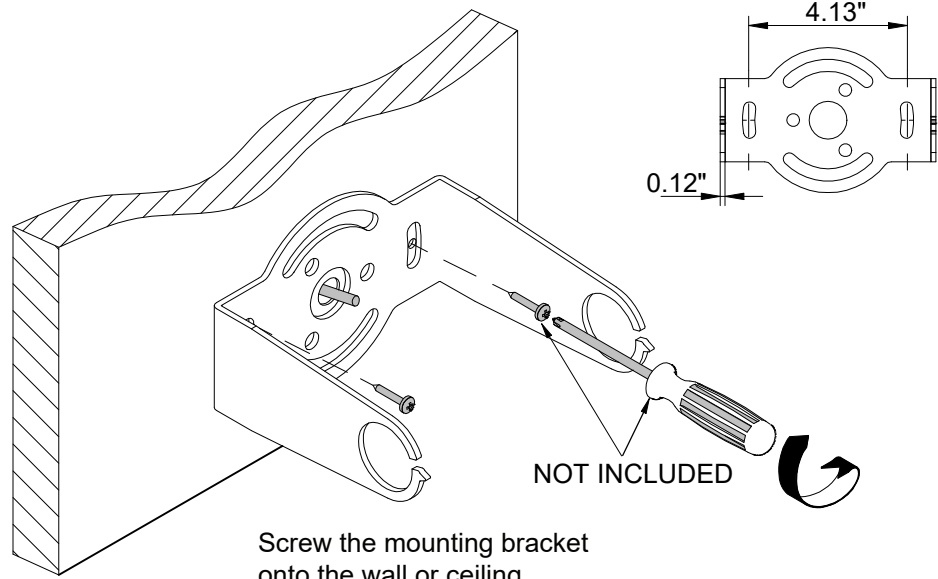


Fixture Installation

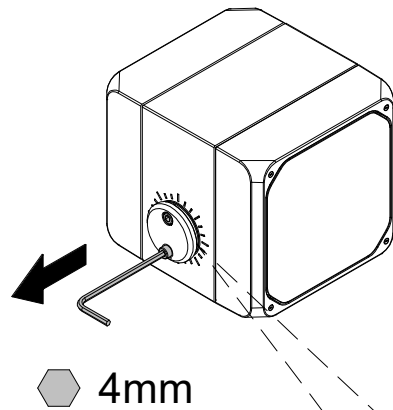
Please follow these easy steps to complete a successful installation

1

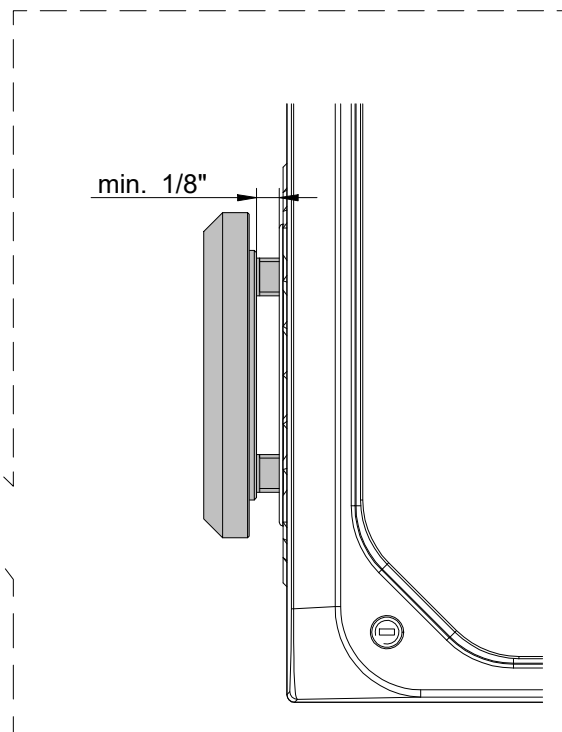
Installer must start by creating a hole on the desire area to feed the lead cable through. After the hole was made, the mounting bracket can be installed



2



Loosen the screws to create a gap of 1/8" min between the button and the fixture, this will allow the fixture to be inserted into the bracket once is installed

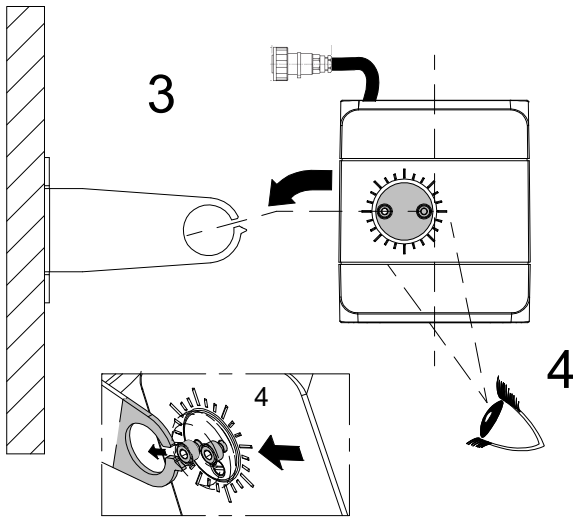


Fixture Installation Cont.

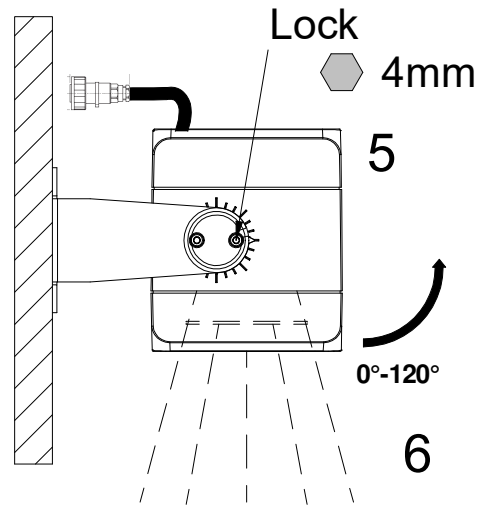
A

Direct Light Mounting

Once the screws were loosen, insert fixture into the mounted bracket

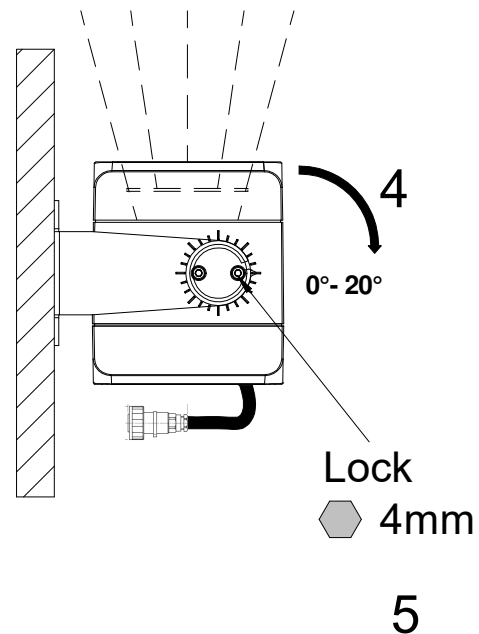
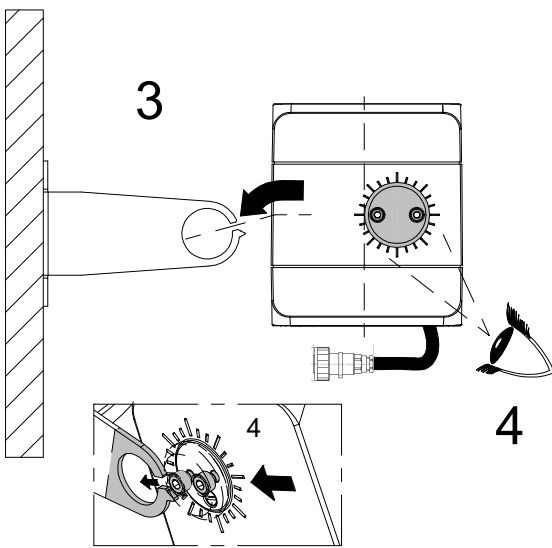


After inserting the fixture, position it on the desire angle using the aiming markings on the sides of the fixture and then tighten the screws to secure it

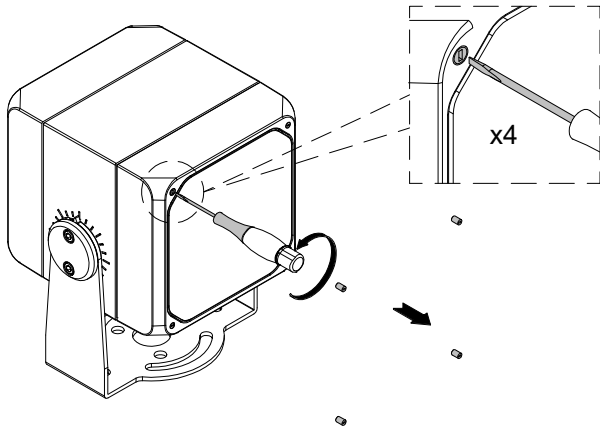


B

Indirect Light Mounting

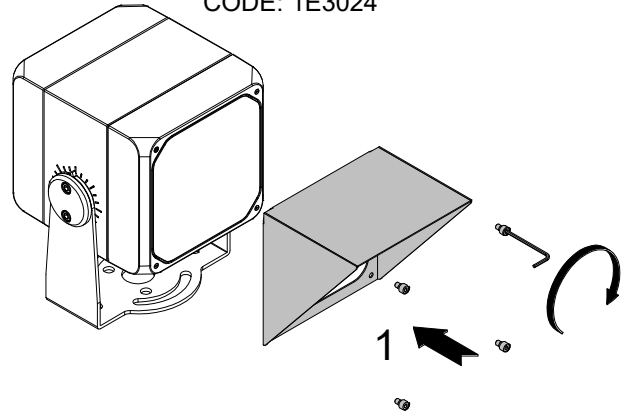


Accessories



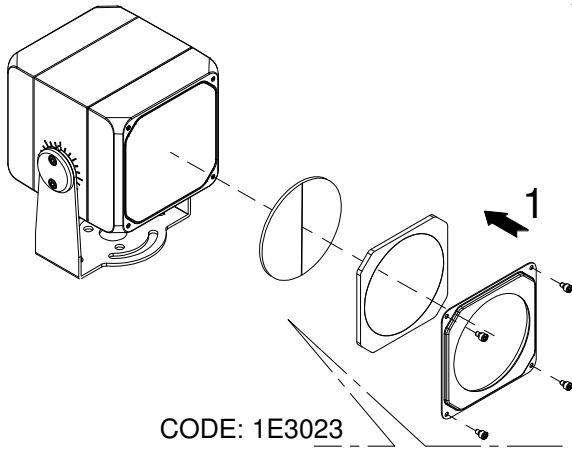
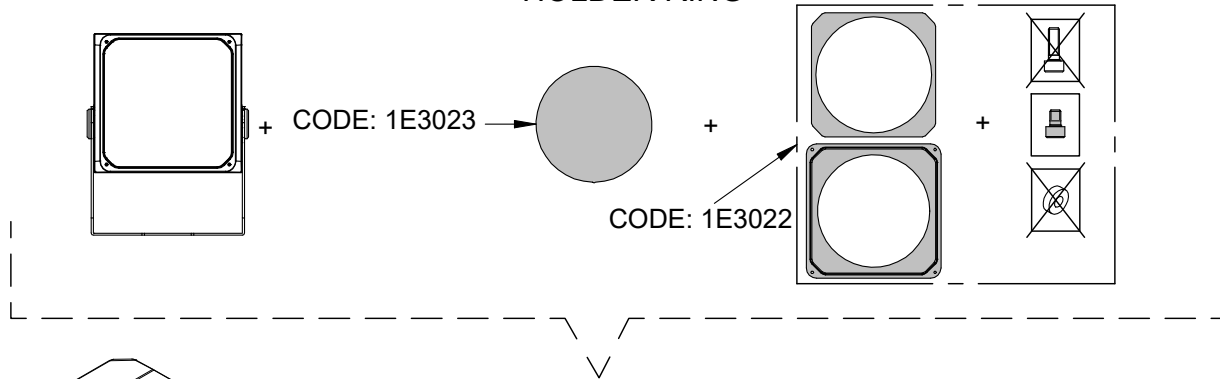
Remove screws to fix the accessories

ASYMMETRIC SCREEN
CODE: 1E3024

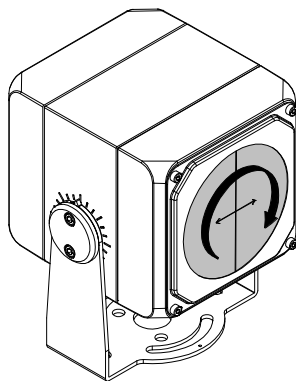


Place asymmetric screen on and secure with screws previously removed

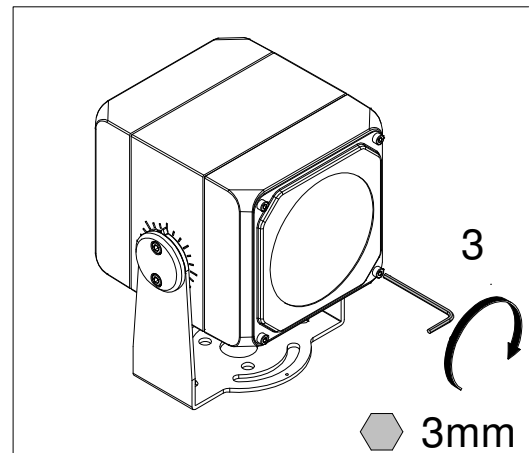
HOLDER RING



CODE: 1E3023



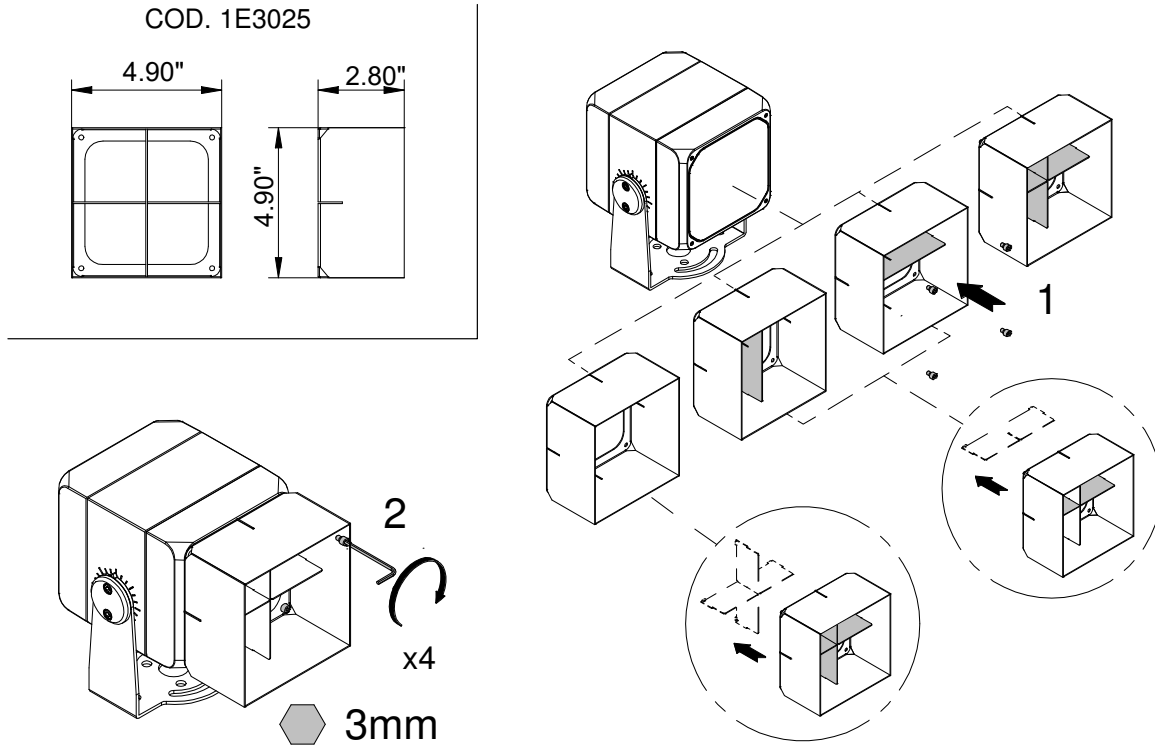
2 Adjust filter to the desired direction



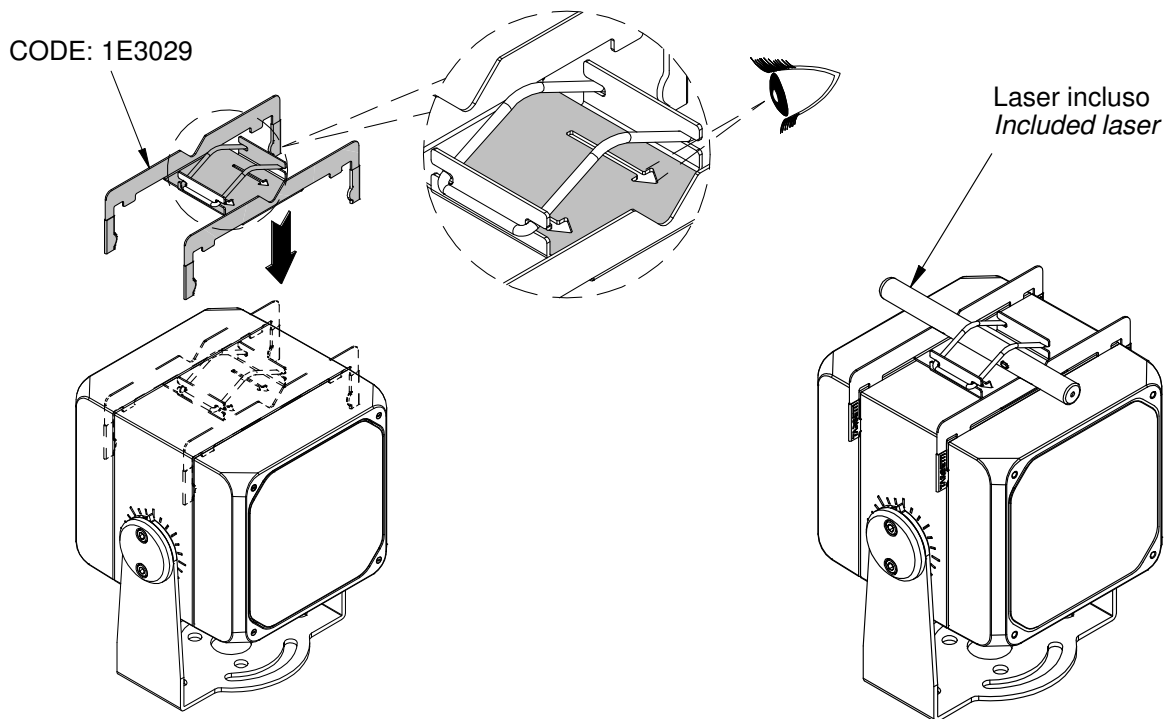
3mm

Accessories

HONEYCOMB ANTI-GLARE LOUEVER



LASER POINT SYSTEM



Maintenance

This fixture was designed and manufactured for a durable, long lasting use with minimum care. To ensure the maximum lifespan of this product, we encourage our customers to provide a quality visual inspection of the fixture and installation accessories every six months. If there are any visible signs of issues (i.e moisture or dust) during the inspection, please clean any of the dust or moisture with a soft cloth and check to make sure that any of the fixtures are still operating normally. If there are any issues regarding the fixture please contact us as we will assist the situation at hand.

Support

Any questions, problems, or comments you have please feel free to contact our Customer Service department during our business hours Monday-Friday 8am-5pm via: Email: usaorders@targetti.com
Phone: (714) 513-1991

Visit our website: <http://www.targettiusa.com>