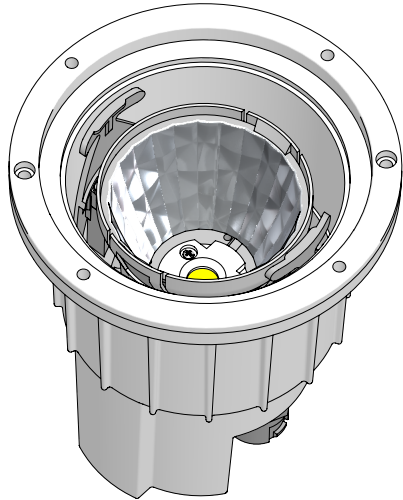




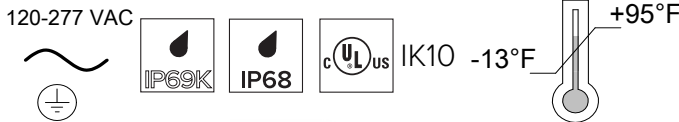
KEPLERO MINI HIGH EFFICACY RGBW

KPLMRPHESP-
KPLMRPHEFL-
KPLMRPHEMW-

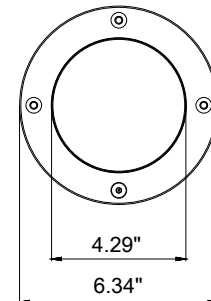
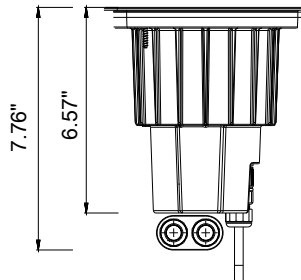
KEPLERO MINI HIGH EFFICACY RGBW
(SPOT), (FLOOD), (MW)



If in doubt about the symbols, please refer to catalog or website



KEPLERO MINI HIGH EFFICACY RGBW
KPLMRPHE-



WARNING

To ensure maximum efficiency of the product, read the following instructions thoroughly prior to installation.

***Please make sure the fixture is sealed correctly and the trim ring is properly tightened.**



This fixture must be installed by a licensed and qualified electrician. The installer must comply with NEC and local building codes when installing the fixture



Electrical current can cause painful shock, serious injury, or even death. Make sure you turn off the power supply, ground fixture(s), and make sure all electrical connections are correct and secured



This fixture must not be installed during rain, fog, or high humidity



For use in IP67 installations.



Keep the label of the original packaging if any eventual future claims are needed

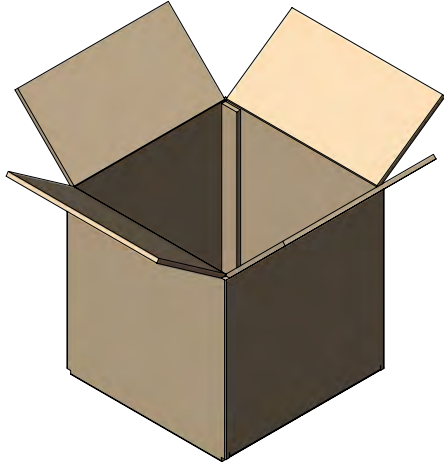
Table of Contents

Packaging Contents	Pg.2
Required Options Sold Separately	Pg.3-8
Choose Installation Instructions	Pg.9-18
Wiring Diagram	Pg.19-20
Finished Installation Example	Pg.21-22
Service Options	Pg.23
Maintenance / Support	Pg.24

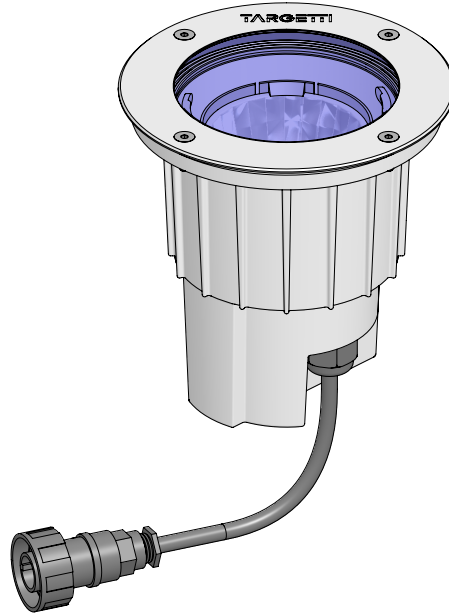
Packaging Contents

Keplero Mini High Efficacy RGBW

7.5"x 7.5"x 8.5" Box @2.43 lbs

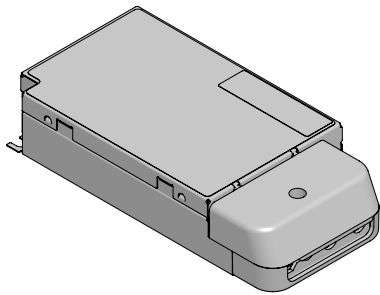


Led Fixture 1 ea.



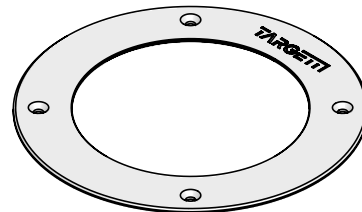
Standard 12" Lead Cable with 8 pin
IP68 Male Connector

PS041



DMX Power Supply sold separately
(Required 1 per fixture)

Stainless Steel Trim Ring 1 ea.



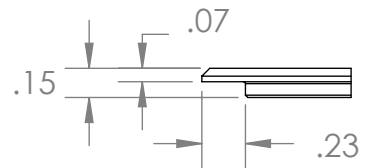
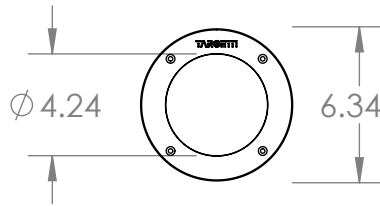
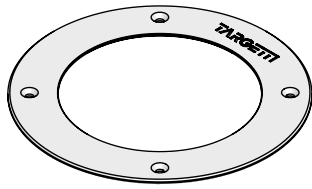
Trim ring screws 4 ea.
(installed on fixture)



Fastening Screws 2 ea.

Required Options Sold Separately Choose

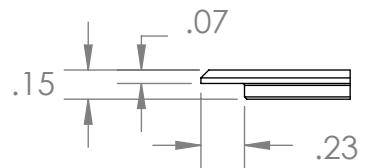
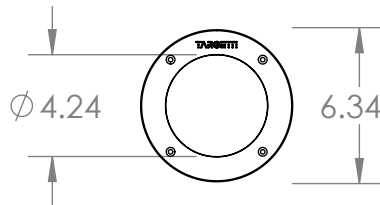
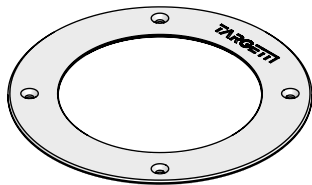
ROUND TRIM RING



Round stainless steel (AISI316L) decorative ring. 10mm thick extra clear protective glass. Silicone gasket. Tamper proof (AISI316L) Torx screws.

Finish ● Brushed Natural ● Bronze PVD ● Black PVD

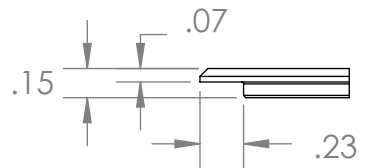
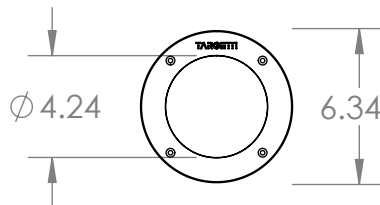
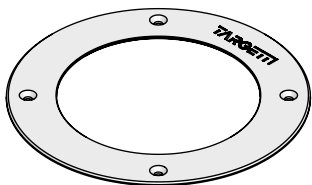
Part No. **1E2525** **1DU2525B** **1DU2525K**



Round stainless steel (AISI316L) decorative ring with anti-slip glass. 10mm thick extra clear protective glass. Silicone gasket. Tamper proof (AISI316L) Torx screws.

Finish ● Brushed Natural ● Bronze PVD ● Black PVD

Part No. **1DU2525A** **1DU2525BA** **1DU2525KA**



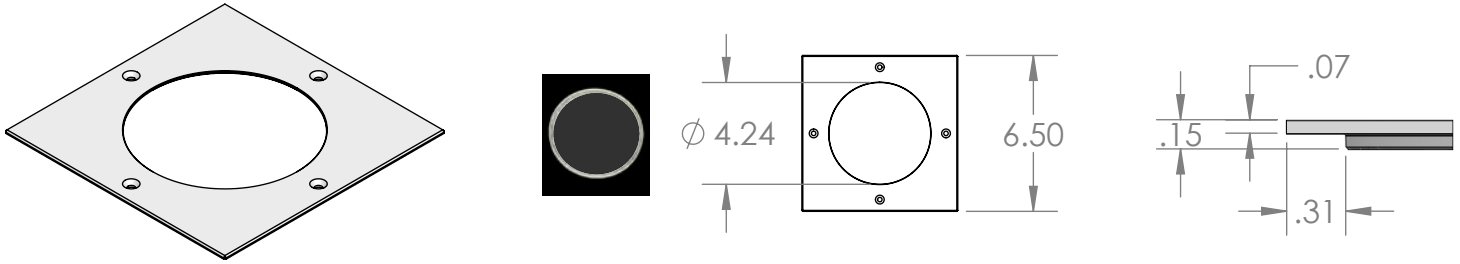
Round stainless steel (AISI316L) decorative ring with half frosted glass. 10mm thick extra clear protective glass. Silicone gasket. Tamper proof (AISI316L) Torx screws.

Finish ● Brushed Natural ● Bronze PVD ● Black PVD

Part No. **1DU2525E** **1DU2525BE** **1DU2525KE**

Required Trim Options continued

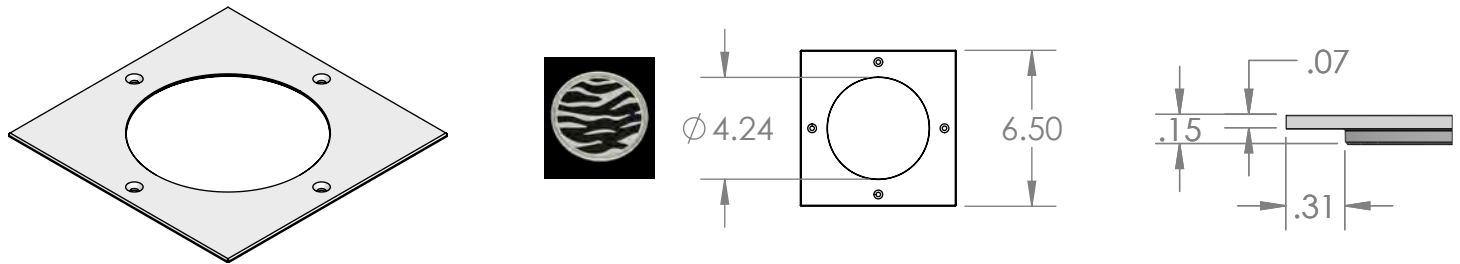
SQUARE TRIM RING



Square stainless steel (AISI316L) decorative ring. 10mm thick extra clear protective glass. Silicone gasket. Tamper proof (AISI316L) Torx screws.

Finish ● Brushed Natural

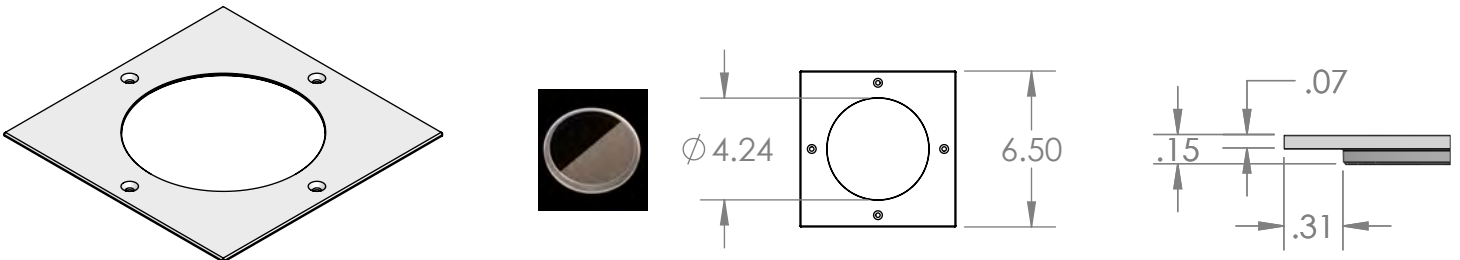
Part No. **1E2526**



Square stainless steel (AISI316L) decorative ring. 10mm thick extra clear protective glass. Silicone gasket. Tamper proof (AISI316L) Torx screws.

Finish ● Brushed Natural

Part No. **1DU2526A**

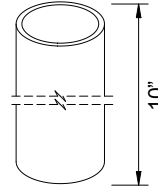
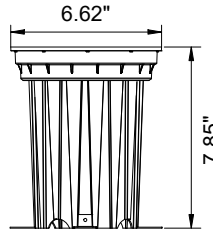
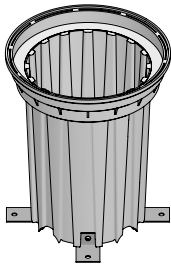


Square stainless steel (AISI316L) decorative ring. 10mm thick extra clear protective glass. Silicone gasket. Tamper proof (AISI316L) Torx screws.

Finish ● Brushed Natural

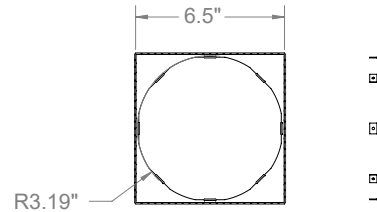
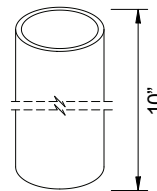
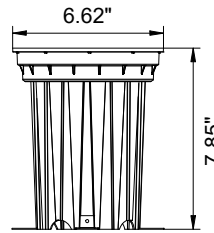
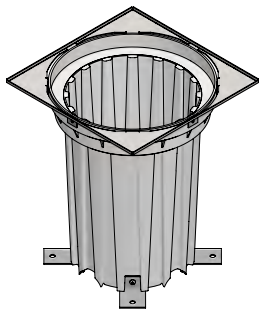
Part No. **1DU2526E**

Required Installation Sleeve Options Choose



Installation sleeve for concrete pour applications. Grey Nylon Sleeve with 10" PVC installation outer pipe. For flush or semi-flush installations. **Requires use of 1DU2530 by NEC.**

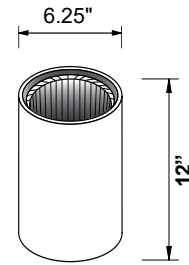
Part No. **1DU2521**



Installation sleeve for concrete pour applications. Grey Nylon Sleeve and stainless steel support bracket with 10" PVC installation outer pipe. Square ring for flush installation only. **For use with square trim options only. Requires use of 1DU2530 by NEC.**

Part No. **1E2522** **1DU2522**

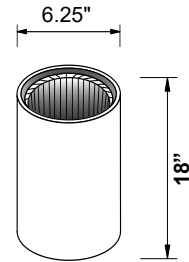
Required Installation Sleeve Options Continued



At grade or raised installation sleeve for turf or ground cover applications. **12”H** stainless steel, includes factory pre-installed inner PVC installation sleeve. **To be used with round trim options only. Not suitable for use with 1DU2521 or 1DU2522.** (Field cuttable. Used for fixture elevations at grade to 3” above grade). **Requires use of 1DU2530 by NEC.**

Finish ● Deep Black

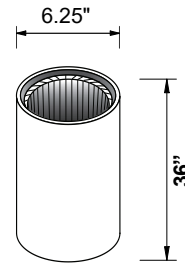
Part No. 1DU434412



Raised installation sleeve for ground cover (succulents and low level planting) applications. **18”H** stainless steel, includes factory pre-installed inner PVC sleeve. **To be used with round trim options. Not suitable with 1DU2521 or 1DU2522.** (Field cuttable. Used for fixture elevation 3” to 7” above grade). **Requires use of 1DU2530 by NEC.**

Finish ● Deep Black

Part No. 1DU434418



Raised installation sleeve for landscape applications. **36”H** stainless steel, includes factory pre-installed inner PVC sleeve. **To be used with round trim options. Not suitable with 1DU2521 or 1DU2522.**

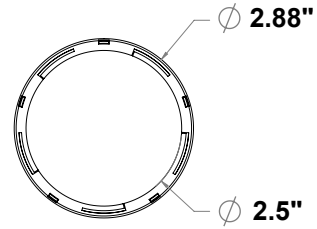
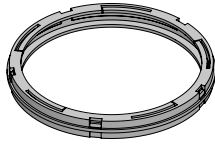
(Field cuttable. Used for fixture elevation 7” to 21” above grade). **Requires use of 1DU2530 by NEC.**

Finish ● Deep Black

Part No. 1DU434436

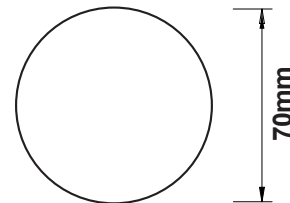
Optical Accessories (Optional)

MAXIMUM OF ONE OPTICAL FILTER OR LOUVER ACCESSORY PER FIXTURE



Transparent polycarbonate holder ring for the accessories. **Required for use of all filters and glare grid.**

Part No. **1E2523**

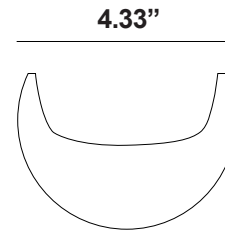
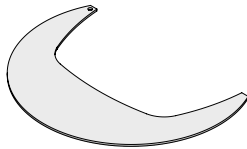


Anti-glare honeycomb louver with lacquered metal structure.

Finish ● Deep Black

Part No. **1T1711**

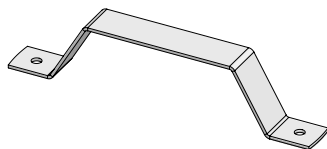
Installation (Optional)



Integral half moon anti glare shutter. Can be used as one per fixture with a filter or louver, not considered as part of the maximum optical accessories.

Finish ● Deep Black

Part No. **1E2523**



Fixture metal maintenance removal handle. Helpful one per 10 fixtures.

Part No. **1E2524**

Lead Cable (Required)



20-8 awg direct burial 10ft lead cable with IP68 Female socket quick disconnect.

Part No. **DX8PLEAD10**



20-8 awg direct burial 25ft lead cable with IP68 Female socket quick disconnect.

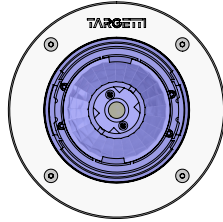
Part No. **DX8PLEAD25**



20-8 awg direct burial 50ft lead cable with IP68 Female socket quick disconnect.

Part No. **DX8PLEAD50**

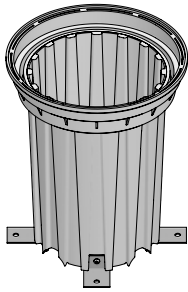
Keplero Mini Installation



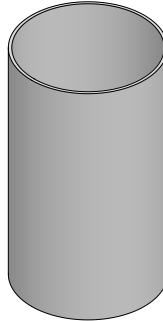
Keplero Mini High Efficacy RGBW



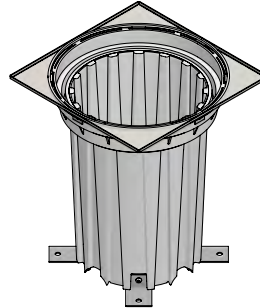
Installation Sleeve



1DU2521



OR

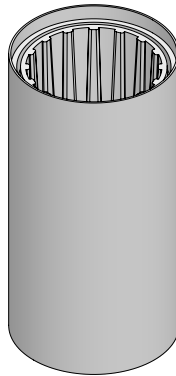


1DU2522

OR

Raised Installation Sleeve

1DU434412
1DU434418
1DU434436

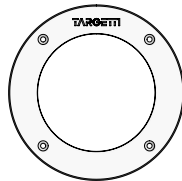


12" / 18" / 36" heights available



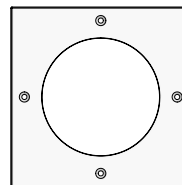
Stainless Steel Trim Ring

All the rings can be installed flush or semi-flush by simply removing the insertion collar from the PVC installation sleeve.



1E2525
1DU2525A
1DU2525E

OR



1E2526
1DU2526A
1DU2526E

Square trim ring only available for recessed installation, not for use with raised tube.

Sleeve Installation Instructions

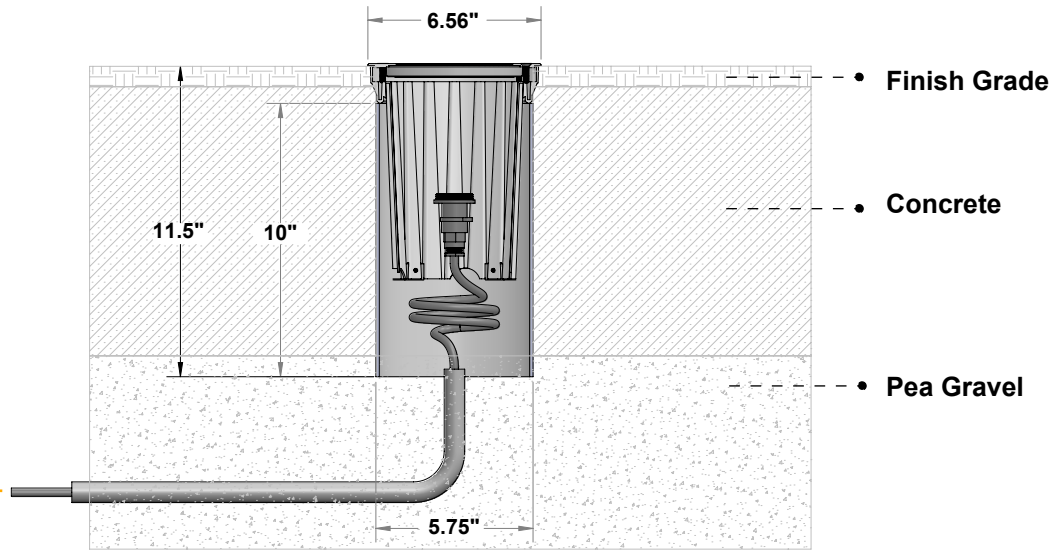
- Installers will dig out trenches or holes big enough to allow technician to perform the preparation of the ground for the PVC tube
 - Gravel in trenches is a requirement by UL for adequate drainage
 - Safety net covers below the conduit pipe to warn diggers what is below
- Position of the bottom of the PVC tube must be an accessible depth between 8.5-11.5" required for maintenance
- Insert the PVC pipe with the installation sleeve
 - The gap between the end of the LED Fixture and the bottom of the PVC pipe must have enough room to fix the power cord installed with enough slack to remove the fixture while connected
 - Tube is field cut adjustable for accessibility



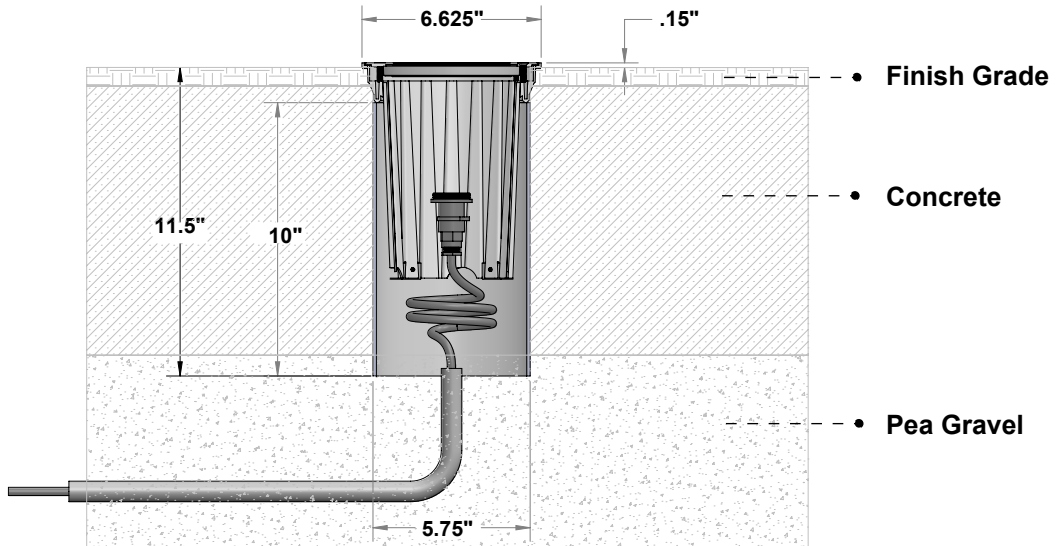
*Power Cord to remote driver to be installed with enough slack to remove fixture while connected

Use 10ft, 25ft or 50ft Lead cable as required

Driver / Enclosure location

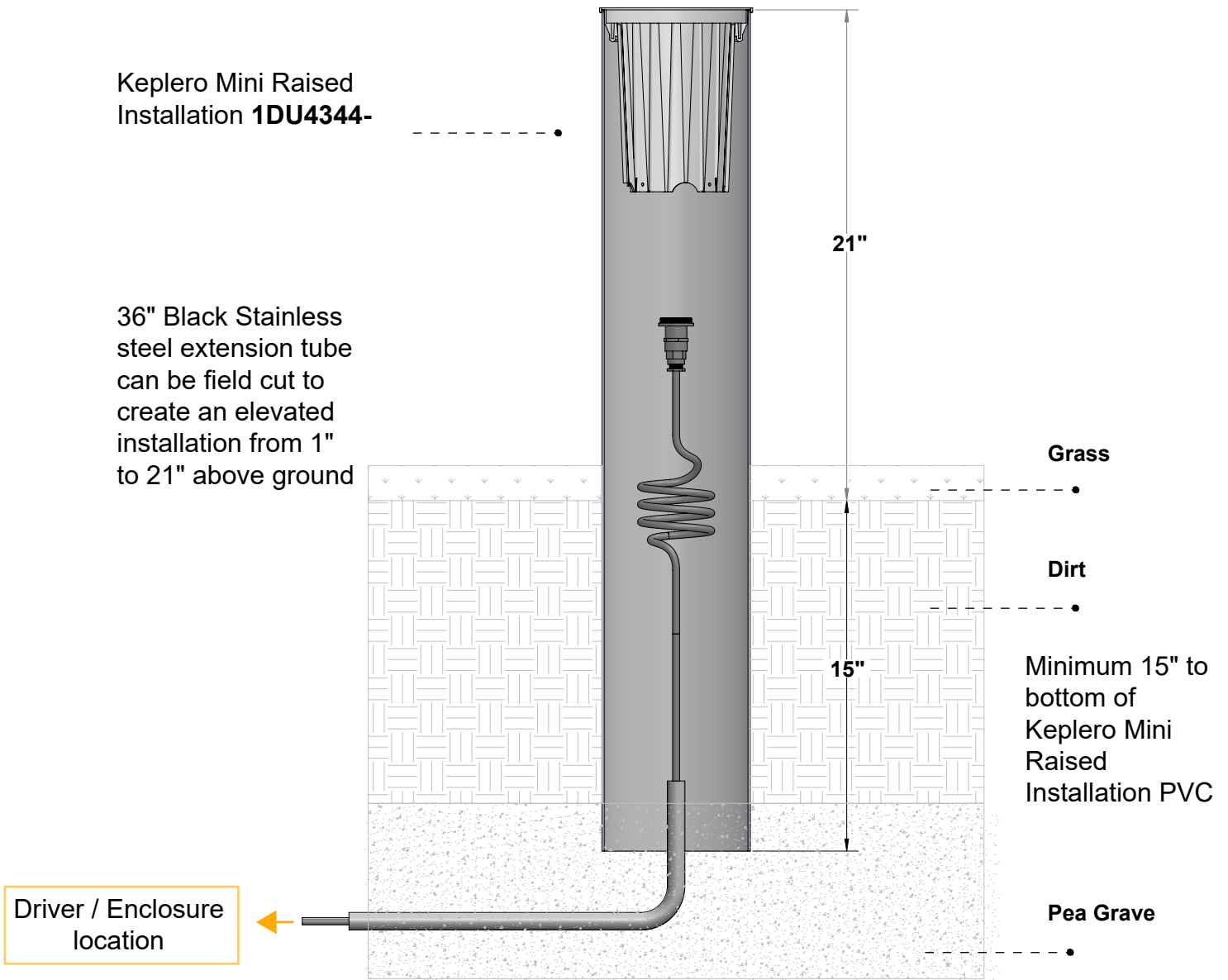


- If installation requires semi-flushed installation
 - Break off outer ring of installation sleeve for 0.15" raise
 - Fixture will rest above the sleeve for a covered look



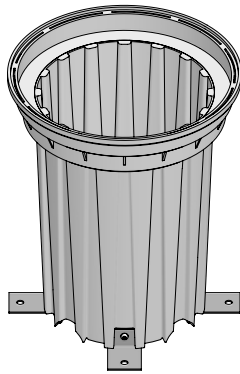
Sleeve Installation Instructions

- For low voltage dimming feature
 - Provide a separate PVC conduit through the gravel to provide a run for all fixtures with dimming for parallel circuiting installation
- For Raised Installation
 - Installers will dig out trenches to prep the PVC tube
 - Minimum 15" from bottom of raised installation sleeve to ground level Installers will dig out trenches to prep the PVC Insert the PVC pipe with the installation sleeve
 - PVC pipe for raised installation is 36" total This allows the extension PVC tube to be field cut to create an elevated installation with a range of 1" to 21"



Sleeve Installation Instructions

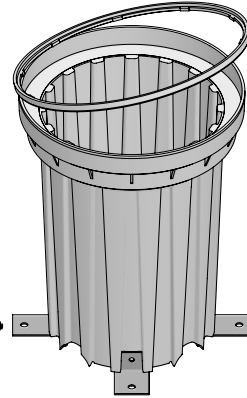
1



Remove L Bracket for use with 10" PVC extension pipe

Do not break-off outer ring for flush installation

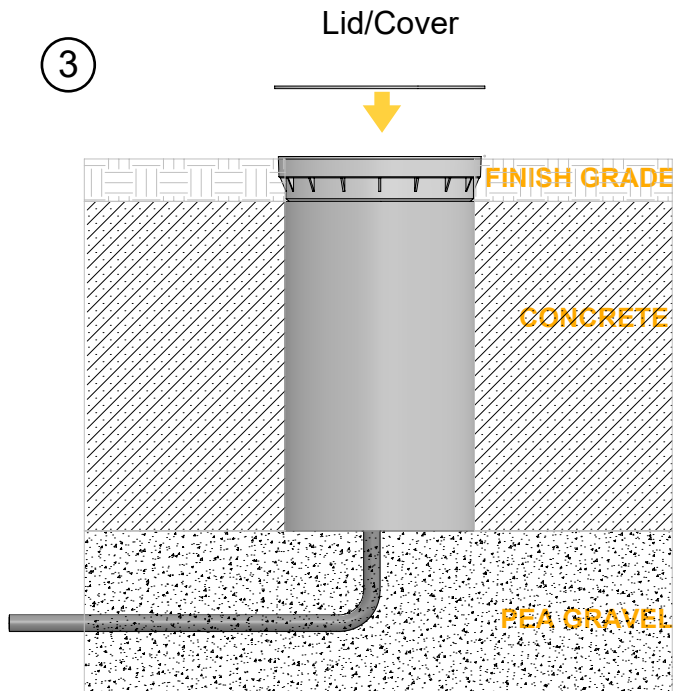
2



Break-off outer ring for semi-flush installation

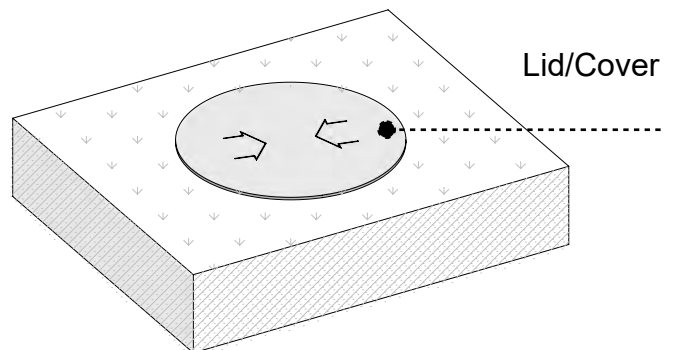
Insert Sleeve with PVC pipe into position keeping power cord safe

3



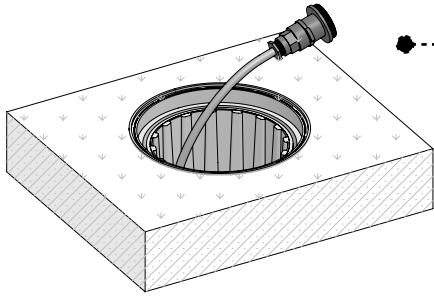
Keep lid/cover on to prevent debris from entering the sleeve. Once concrete has been poured and cured, the sleeve cover can be removed, and LED fixture can be connected and installed

4



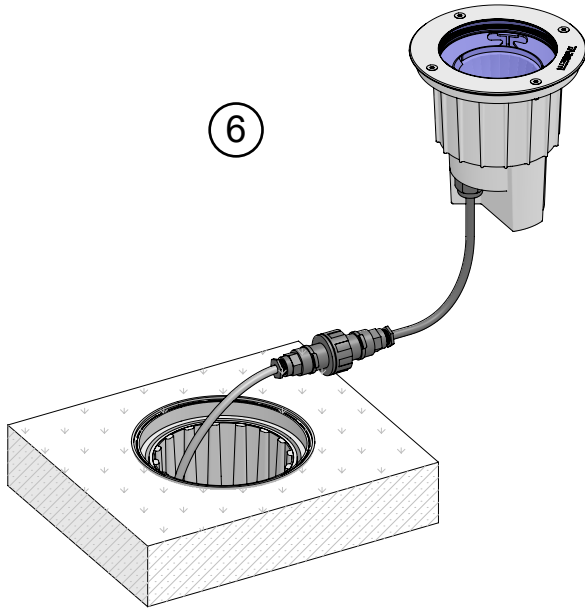
Sleeve Installation Instructions

5

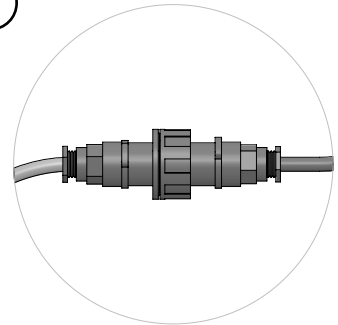


Keep power cord inside and cover sleeve to prevent debris from entering

6

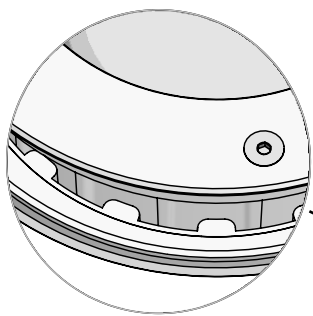


7



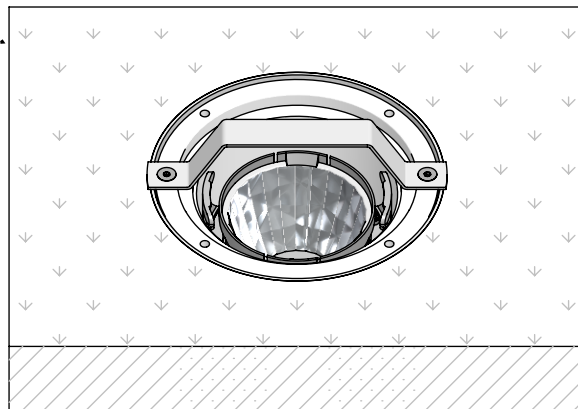
Make fixture connections and lock power cord onto LED fixture

9

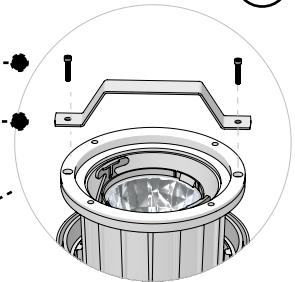


Insert LED fixture in at the position and angle desired.

(2) Torx Tx30
Metal Handle
1E2524

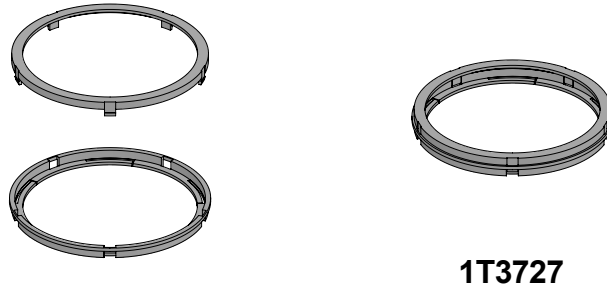


8



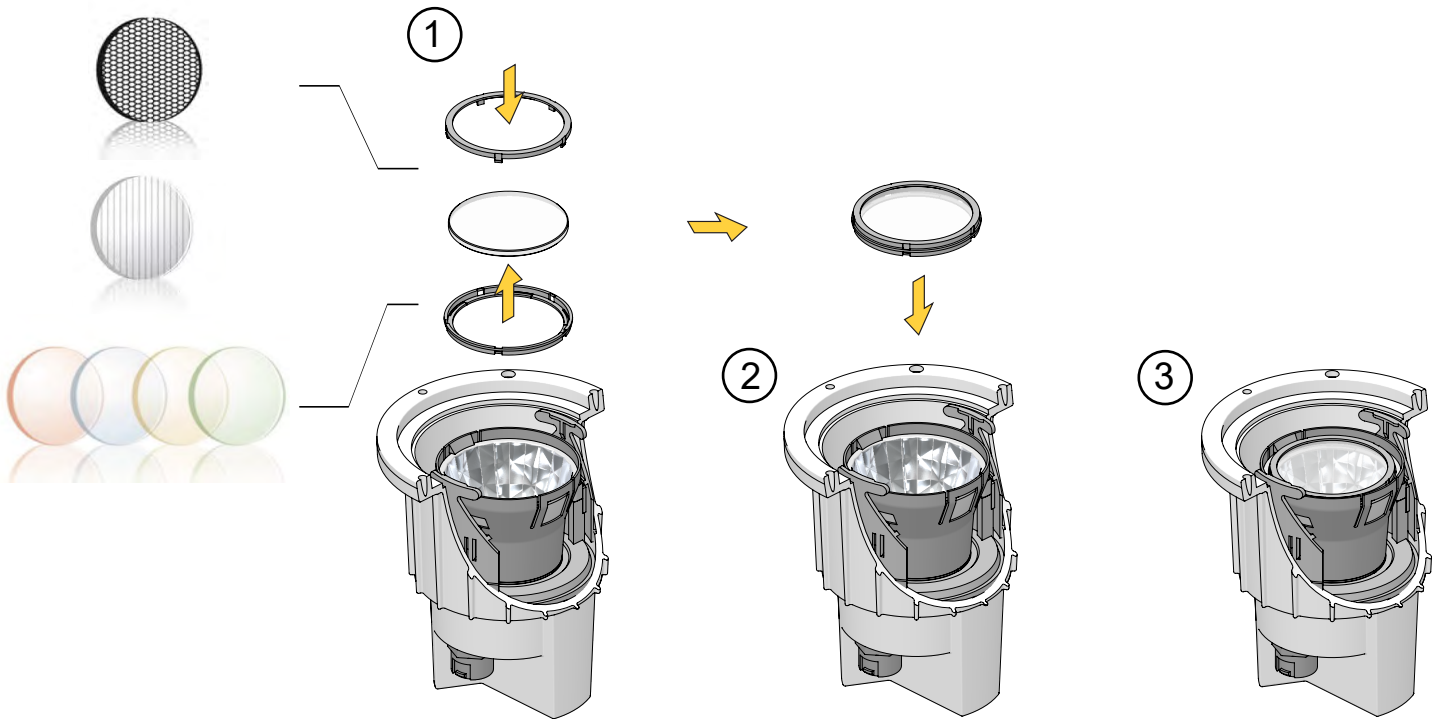
Accessories Installation

Transparent polycarbonate holder ring for the accessories (optional).
Required for use of all filters and glare grid .



- Types of accessories

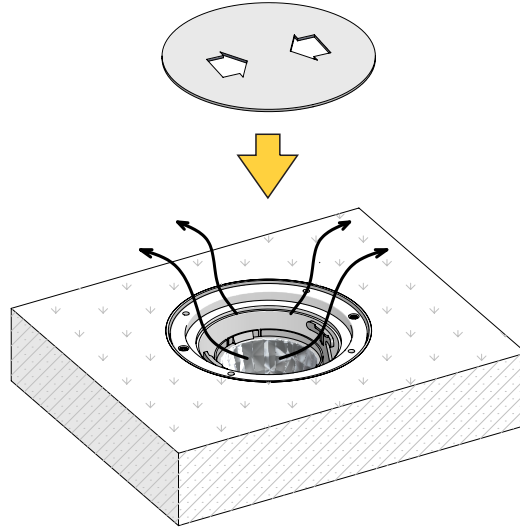
- 'Blade of Light' linear spread lens
- Anti-glare honeycomb louver
- Tone filter



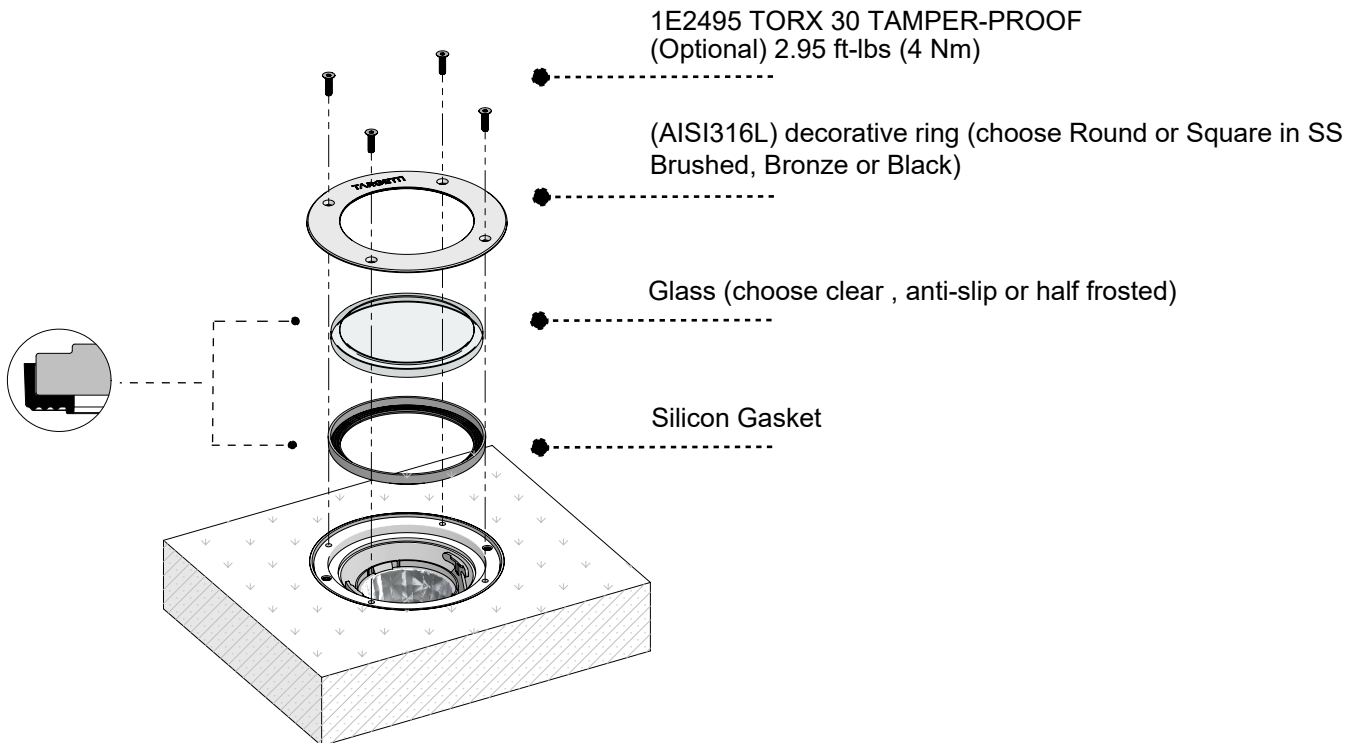
Trim Installation Instructions

Fixture comes with trim ring installed. After trim ring is removed for optics adjustment, follow these next steps to complete a successful trim ring installation:

- Use a tamper-proof torx key (sold separately/optional but recommended) to remove the trim ring, and the glass. Access the optics holder for beam spread angling.
- Once you set position of the optics to the desired lighting angle, **power on fixture and cover with supplied installation sleeve lid and let the fixture operate for 45 minutes before attaching glass and trim ring**

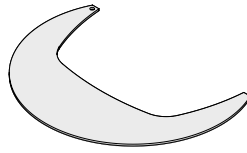


Fixture Installation



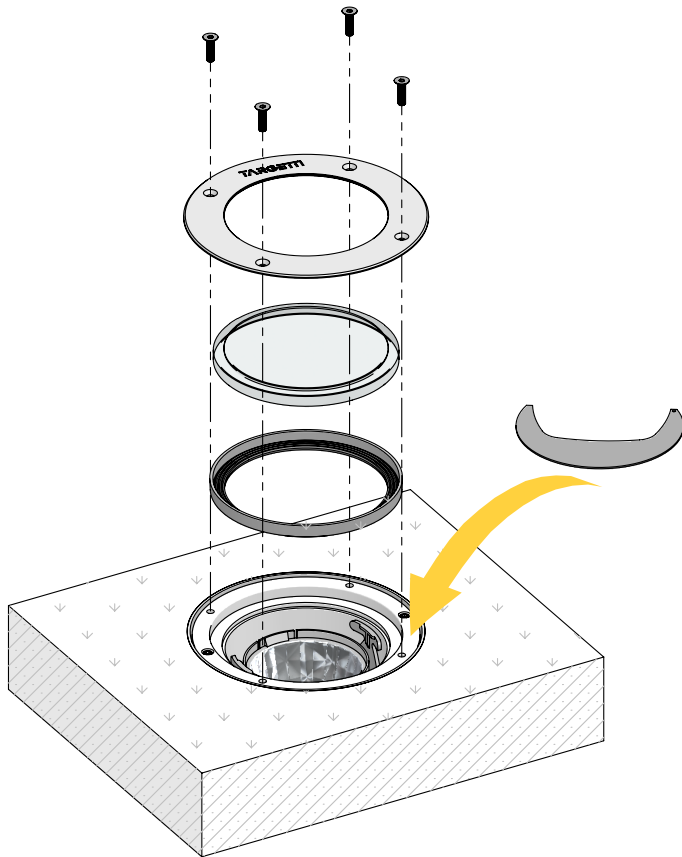
1E2523 Installation (Optional)

Integral Half Moon Anti Glare Shutter

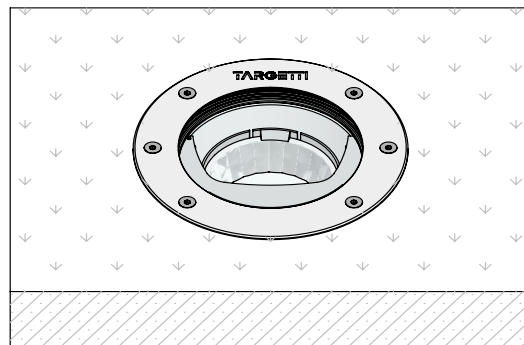
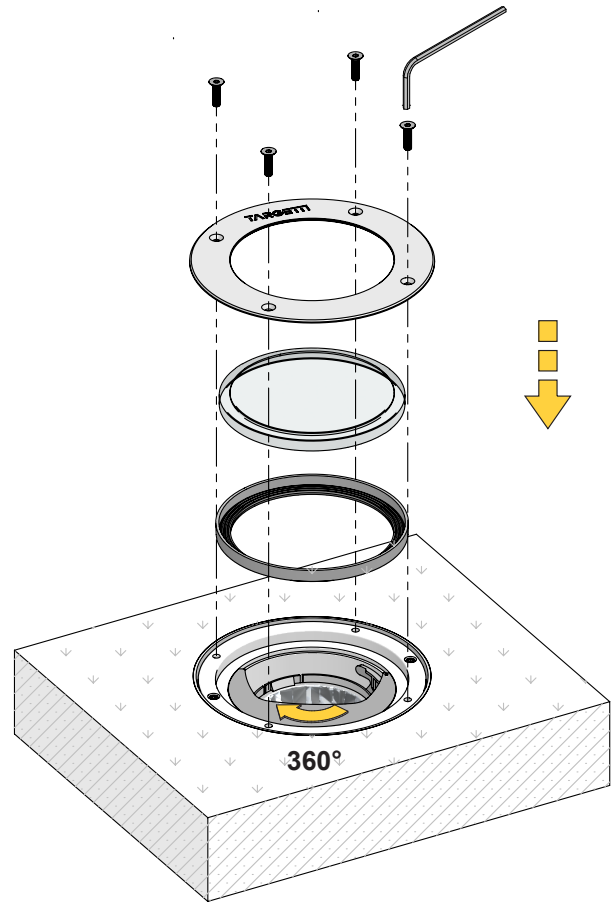


1E2523

1



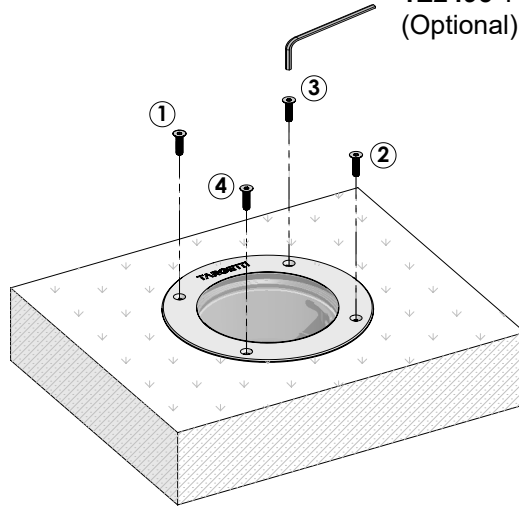
2



Trim Installation Instructions

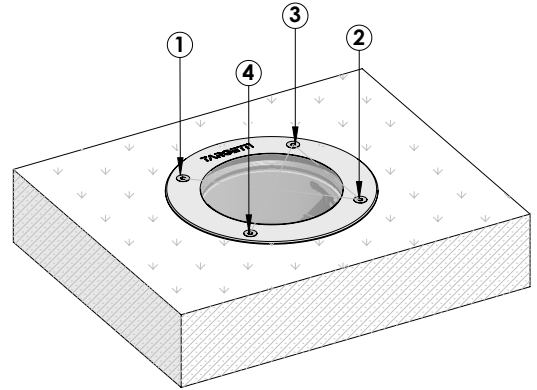
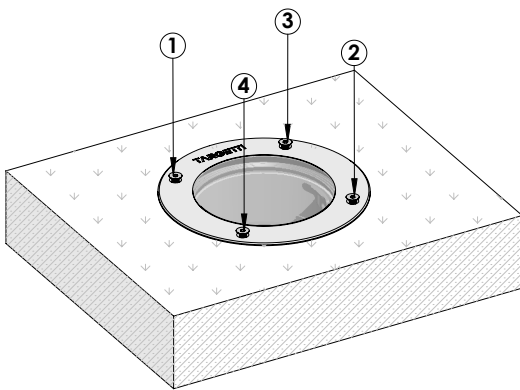
- When securing the tamper-proof torx screws
 - Apply only 2.95ft-lbs (4Nm) of torque to efficiently secure the fixture
 - Torque screws in X-box formation to provide a tight, even, and secure holding for the trim ring

1E2495 TORX 30 TAMPER-PROOF
(Optional) 2.95 ft-lbs (4 Nm)

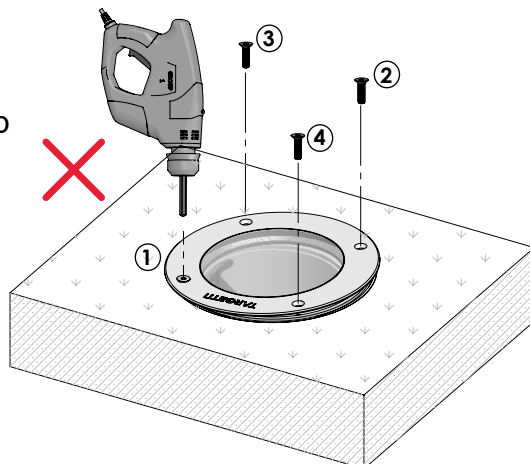


Step1:
Thread screws down in X
pattern to hold trim ring flat

Step2:
Torque screws down in X
pattern to tighten and seal



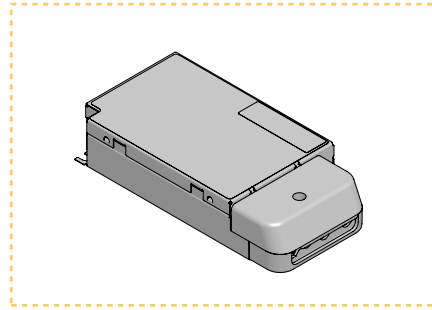
Do not use hand drill to
screw each screw to tight
one at a time This can chip
glass or bunch gasket and
prevent a proper seal



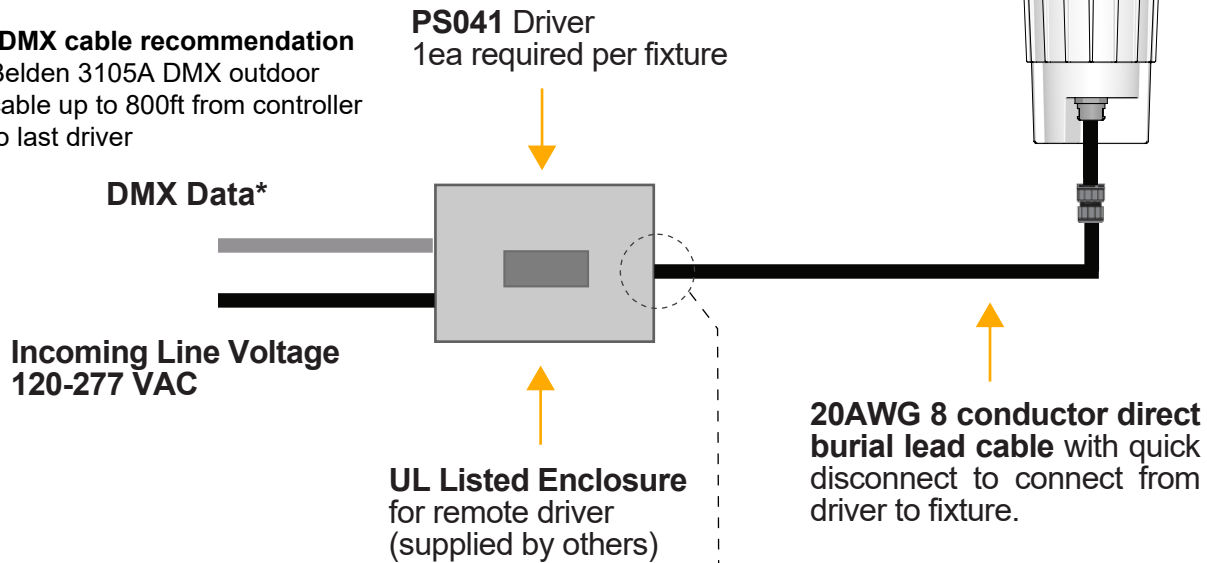
Stand Alone Single Fixture Configuration

STANDALONE

Part No.	Wattage	Control	Dim Range	Certification	In / Out Voltage	Dimensions (Standalone)	Description
PS041	50W 450mA 4 chan	DMX / RDM 1 fixture max	0%	Universal 120-277VAC	UR CLASS 2	6.00" x 3.00" x 1.20"	EldoLED POWERdrive 561/A1 Class 2 Power Supply, side feed only. UL listed enclosure provided by others..

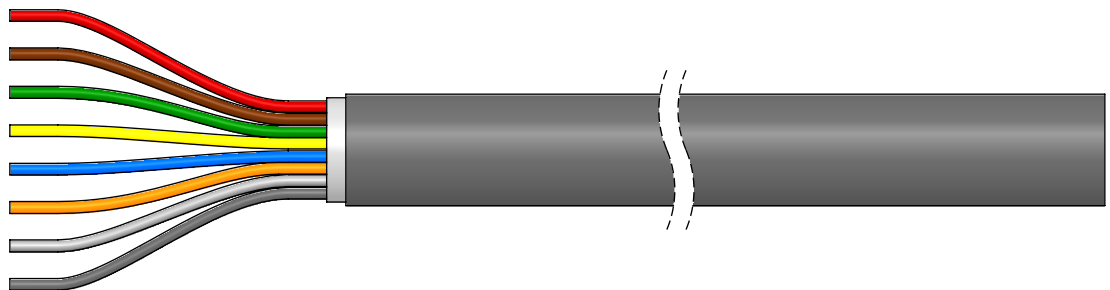


***DMX cable recommendation**
Belden 3105A DMX outdoor
cable up to 800ft from controller
to last driver



**Conductor
Callout**
IP68 quick
disconnect

Red	+R
Brown	-R
Green	+G
Yellow	-G
Blue	+B
Orange	-B
White	+W
Black	-W

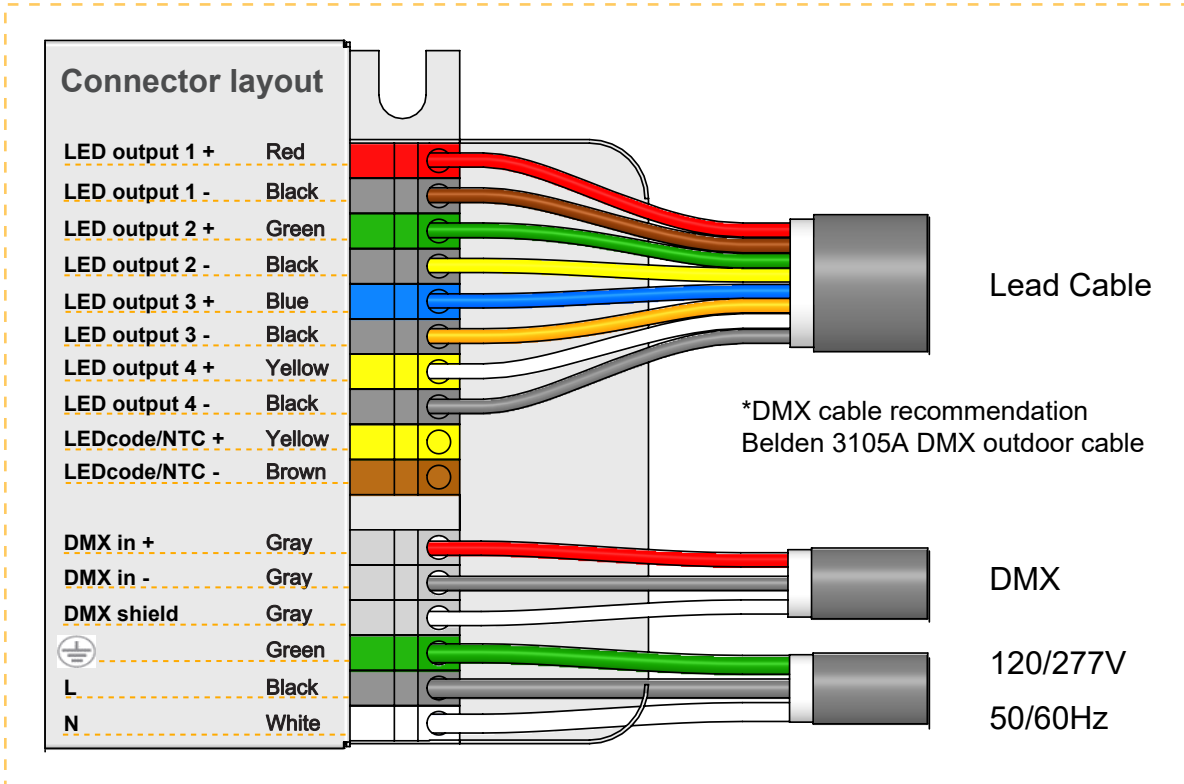
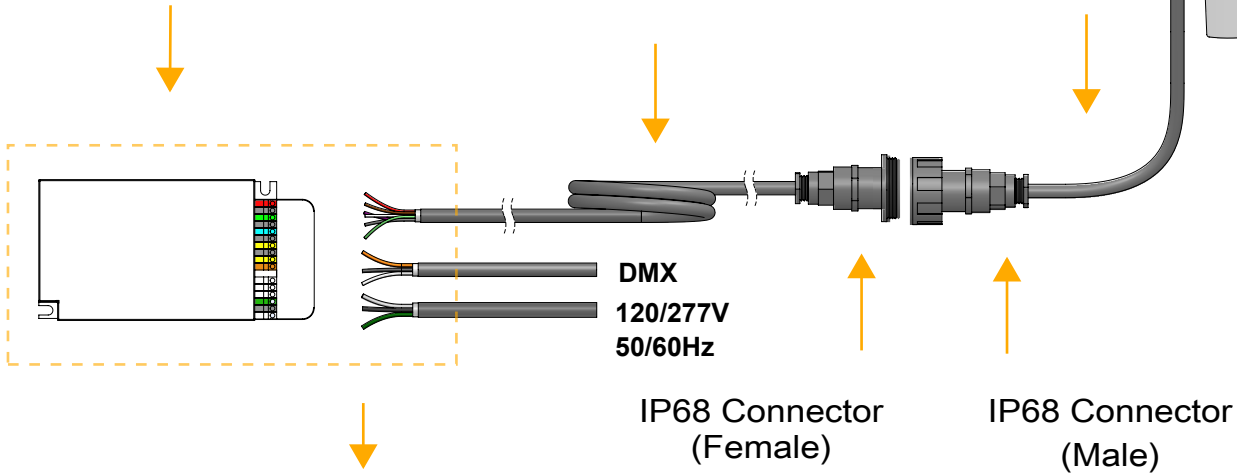
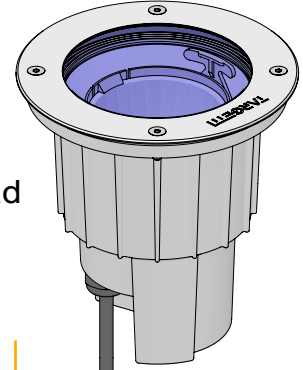


Fixture Wiring Diagram

PS041
DMX Power Supply
Sold separately
(Required)

10' **DX8PLEAD10**
25' **DX8PLEAD25**
50' **DX8PLEAD50**
Sold separately (Required)

Standard 12" Lead
Cable with 8 pin
IP68 Connector



Enclosure Provide
by Other

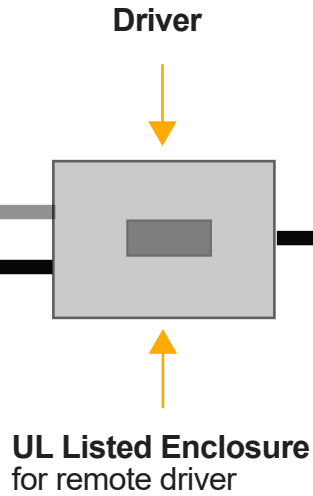
Wiring Diagram

Targetti Supported Enclosure 1 - 3 Fixture Configuration

***DMX cable recommendation**
Belden 3105A DMX outdoor
cable up to 800ft from controller
to last driver

DMX Data*

Incoming Line Voltage
120-277 VAC

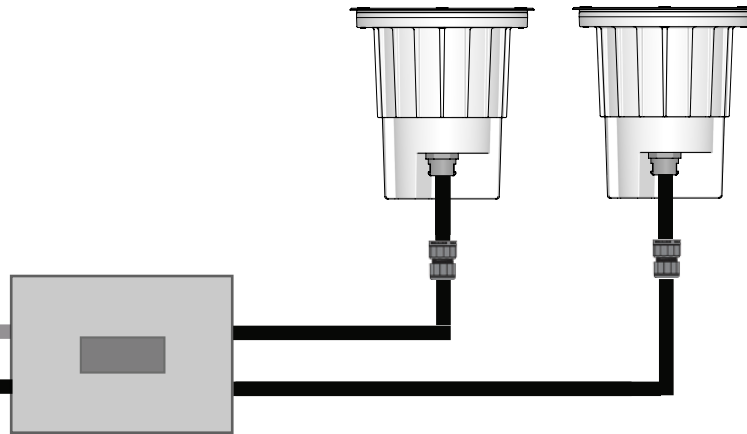


**20AWG 8 conductor direct
burial lead cable with quick
disconnect to connect from
driver to fixture.**

***DMX cable recommendation**
Belden 3105A DMX outdoor
cable up to 800ft from controller
to last driver

DMX Data*

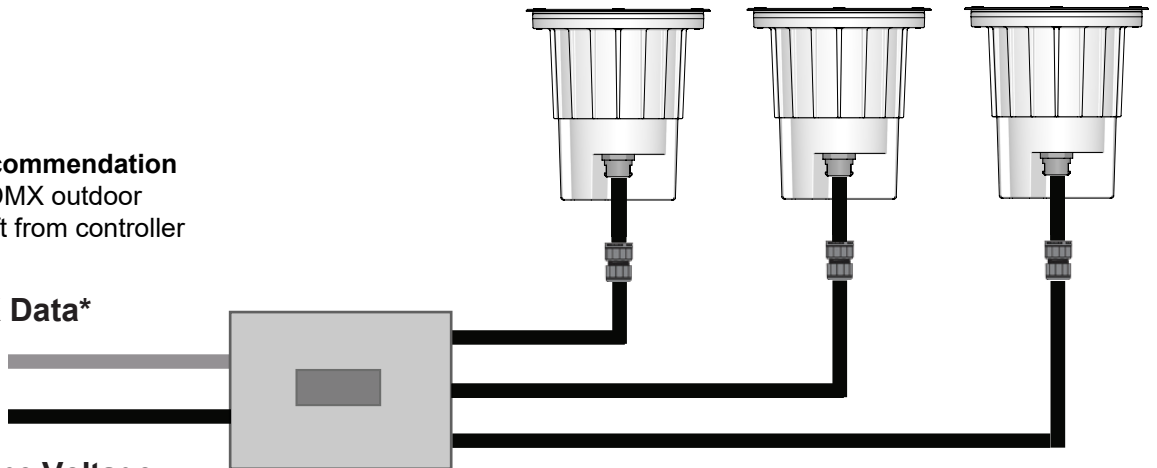
Incoming Line Voltage
120-277 VAC



***DMX cable recommendation**
Belden 3105A DMX outdoor
cable up to 800ft from controller
to last driver

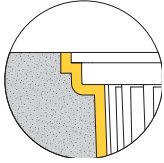
DMX Data*

Incoming Line Voltage
120-277 VAC

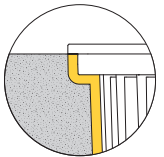
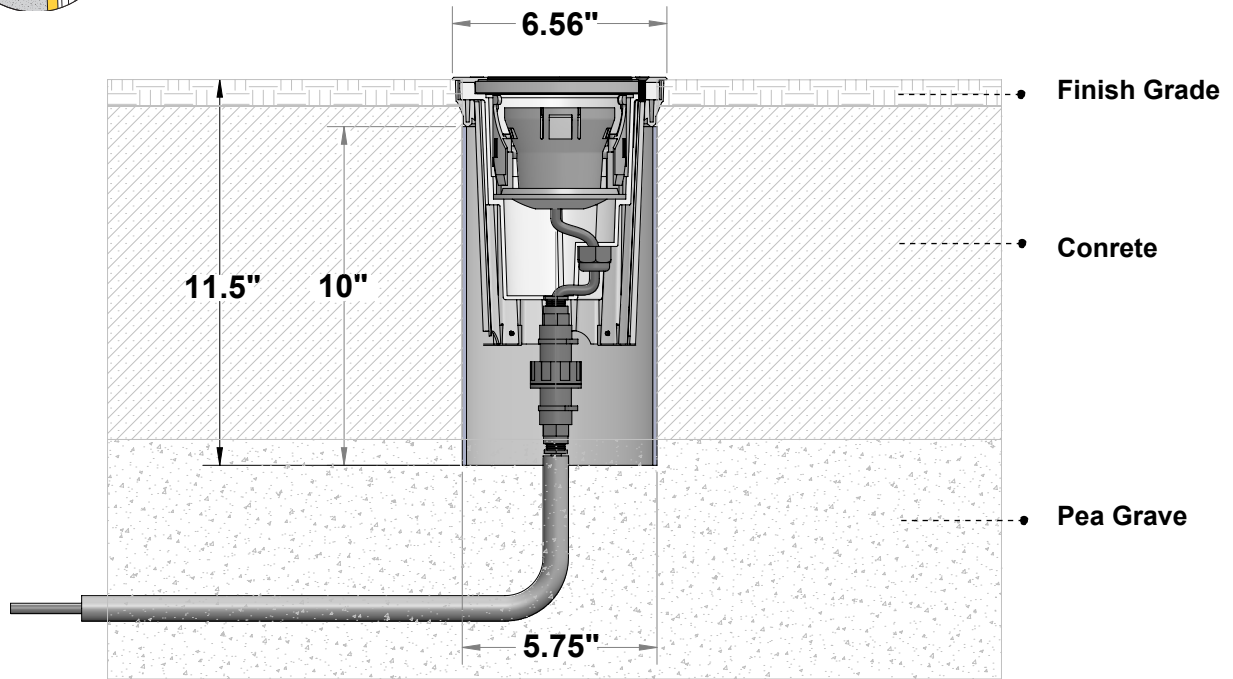


Finished Installation Examples

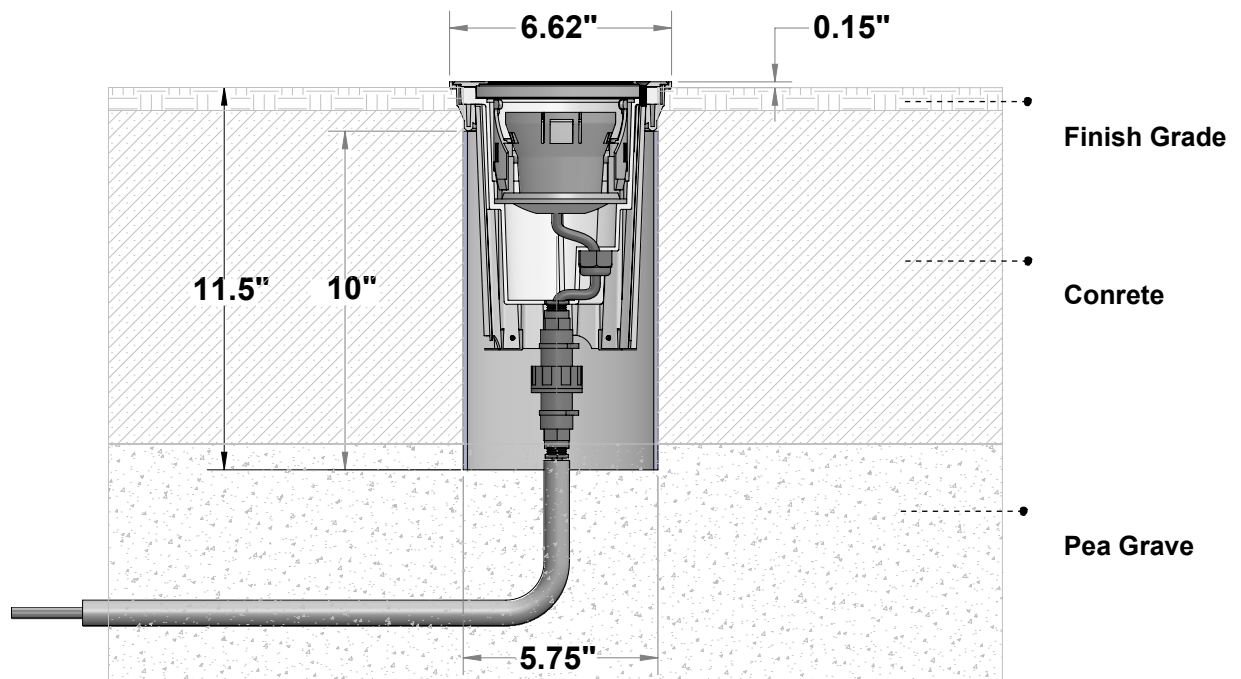
CONCRETE POUR APPLICATION



Flush Mount Sleeve Assembly
1DU2521 and 1DU2522 Sleeves



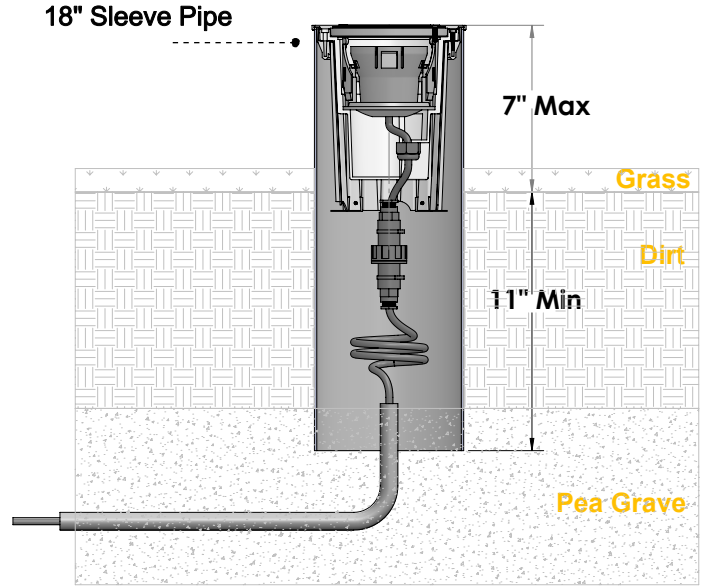
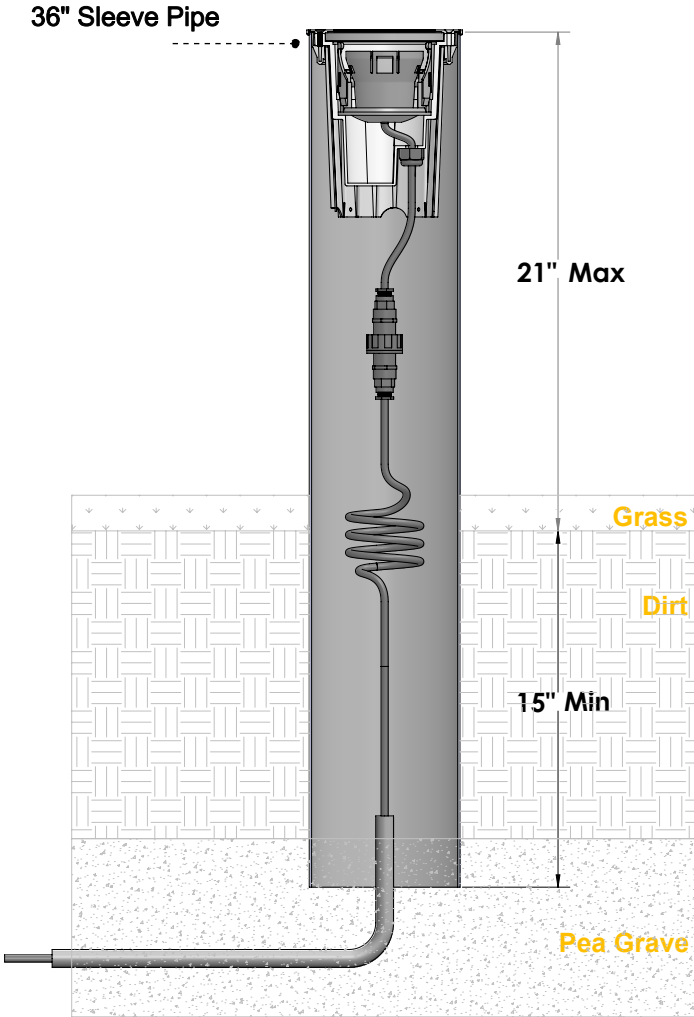
Semi-Flush Mount Sleeve
Assembly 1DU2521 Sleeve Only



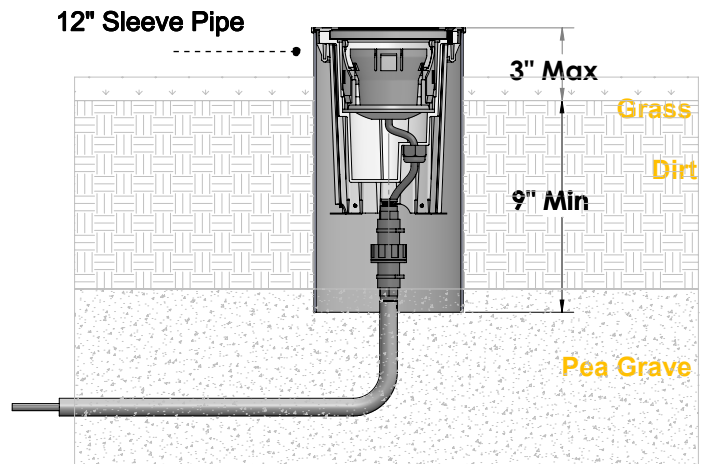
Finished Installation Examples

RAISED TUBE INSTALLATION ASSEMBLY
Recommended for Landscape Installation 1DU4344
with Round Trim ONLY

RAISED TUBE INSTALLATION ASSEMBLY
Recommended for Ground Level Installation
1DU434418 with Round Trim ONLY



RAISED TUBE INSTALLATION ASSEMBLY
Recommended for Turf Installation 1DU434412 with
Round Trim ONLY



Service Options

PRE-SHIP ADDRESSING

A Targetti technician shall factory address each fixture per the project addressing chart (provided by customer) prior to shipping. The project addressing chart shall be received prior to fixture shipping. If fixture addressing chart is not received, fixture will be default addressed at 001. Targetti shall not be responsible for delays due to the requested addressing configuration not being provided within the requested time-frame.

ALTERNATIVE

PRGM02

Before, during or after fixture rough in installation is completed, a Targetti technician shall travel to the installation site. The project is reviewed and checked for proper wiring, installation and functionality of the primary power and control systems before Control system operation is switched on. Any installation issues are addressed and resolved with the onsite contractors. All fixture addressing is confirmed and can be changed as required, the the Targetti technician will perform this task in accordance to the intended lighting design. For local installations (within 50mi of Costa Mesa, CA), consult factory. Travel expenses excluded and billed separately.

PRGM03

After fixture installation is complete, a Targetti technician shall travel to the installation site to assist contractor and/or systems integrator to trouble shoot issues that are resulting in non-operation or incorrect function of the system when connector into Control Systems Protocols. The project is reviewed and checked for proper wiring, installation and functionality of the system and proper System data flow from Control, Gateways and Fixtures. Any installation/control issues are addressed and resolved with the onsite contractors. If onsite fixture programming is required, the Targetti technician will perform this task in accordance to the intended lighting design. For local installations (within 50mi of Costa Mesa, CA), consult factory. Travel expenses excluded and billed separately.

PRGM04

A Targetti technician shall provide overall control training for end users / the facility maintenance team. This training covers overall usability of the lighting control(s), focusing on functionality and programming.

Maintenance

This fixture was designed and manufactured for a durable, long lasting use with minimum care. To ensure the maximum lifespan of this product, we encourage our customer to provide a quality visual inspection of the fixture and installation accessories every six months. If there are any visible signs of issues (i.e moisture or dust) during the inspection, please clean any of the dust or moisture with a soft cloth and check to make sure that any of the fixtures are still operating normally. If there are any issues regarding the fixture please contact us as we will assist the situation at hand.

Support

Any questions, problems, or comments you have please feel free to contact our Customer Service department during our business hours Monday-Friday 8am-5pm via: Email: usaorders@targetti.com
Phone: (714) 513-1991

Visit our website: <http://www.targettiusa.com>