

DURA

LAMP

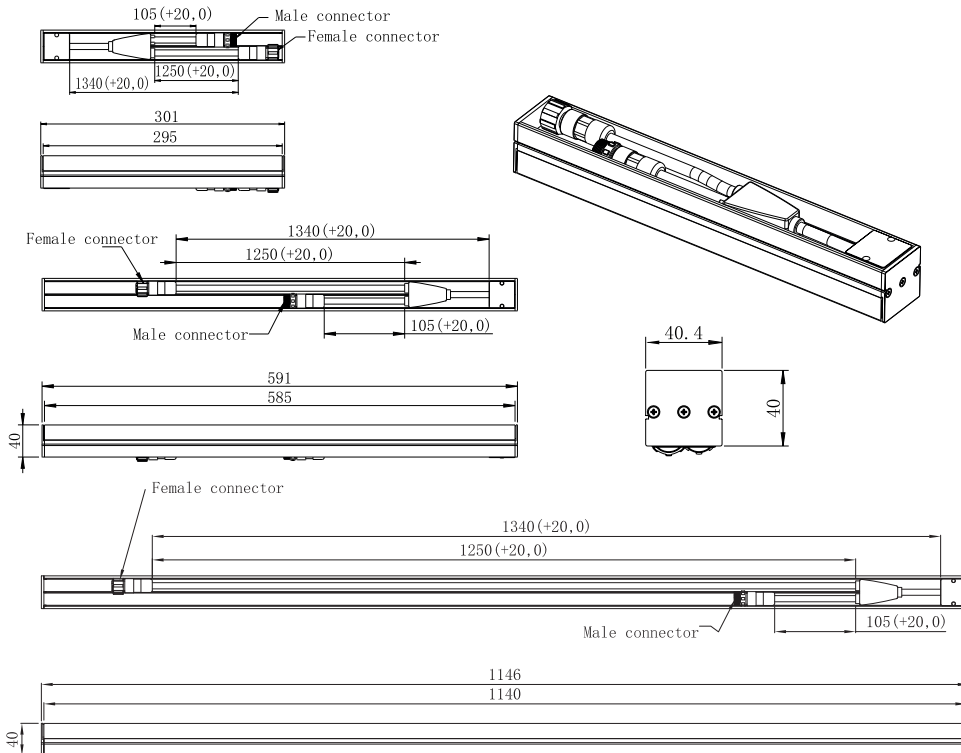
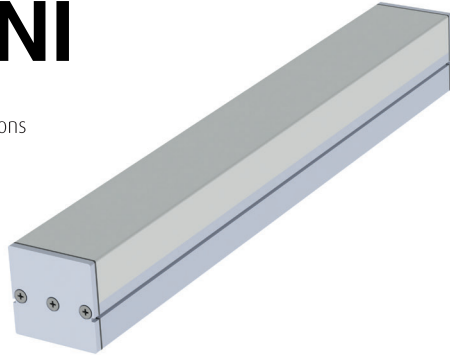
INSTALLATION INSTRUCTIONS

powered by **TARGETTI**

MINILINI

IP65

Suitable for Damp/Wet Locations



"IMPORTANT SAFETY INSTRUCTIONS

- Read all instructions.
- Do not conceal or extend exposed conductors through a building wall.
- For low voltage exposed insulated conductor systems, do not install any part of this system less than 7 feet (2.2 m) above the floor (unless installed with Duralamp supplied channel).
- To reduce the risk of fire and burns, do not install this lighting system where the exposed bare conductors can be shorted or contact any conductive materials.
- To reduce the risk of fire and overheating, make sure all connections are tight.
- Do not install any luminaire closer than 6 inches (15.25 cm) from any curtain, or similar combustible materials.
- Turn off electrical power before modifying the lighting system in any way.



Duralamp offers a number of mounting options that can be found on the product specification guides. Review complete selection to determine which Profile best suits the project installation and illumination requirements.

MOUNTING INSTALLATION

Mounting Installation

General Mounting Information

Mounting for the Minilini all have two types of mounting supports that hold the channel for a secure installation of any surface.

For typical surface mounting holds, Minilini provides 4 types of spring clip holders, each unique based on the mounting degree angles. The 4 different types are based on the 4

different mounting angles of 0°, 15°, 30°, and 45° fixed illumination angles.

Installer will first locate the area of installation and secure the clip onto the mounting surface with the correct mounting screw based on mounting surface. Be sure before securing to align the clips in a straight line before securing the clips on the mounting surface. Each Minilini fixture is supported by 2 mounting clips.

Once the mounting clip is aligned and secured on the mounting surface, secure the fixture by inserting the fixture onto the clip until the fixture is fully seated.

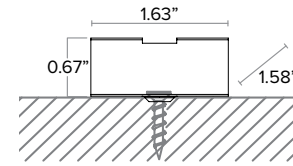
5 X 4 1/2" Mounting Information

Mounting for the Minilini have two types of mounting supports that hold the channel for a secure installation of any surface.

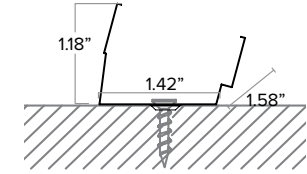
Installer will first locate the area of installation and secure the bracket onto the mounting surface with the correct mounting screw based on mounting surface. Be sure before securing to align the brackets in a straight line before securing the brackets on the mounting surface. Each Minilini fixture is supported by 2 mounting brackets.

Once the mounting brackets are aligned and secured on the mounting surface, secure the fixture by sliding the fixture in the holder bracket and lock it with the lock screws, located on the side of the bracket holder.

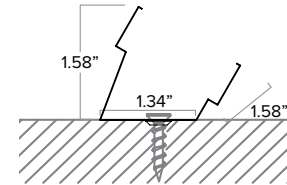
Once the mounting brackets are aligned and secured on the mounting surface, secure the fixture by sliding the fixture in the holder bracket and lock it with the lock screws, located on the side of the bracket holder.



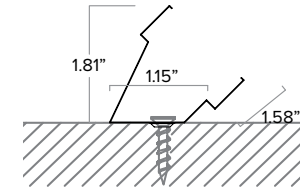
KTMNLBKTVERT
Fixed vertical illumination 'spring' mount clip in 316 Stainless Steel. Package of 10pcs, two recommended per fixture module. #10 countersink screws not included.



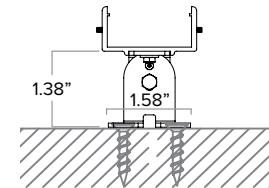
KTMNLBKT15
Fixed 15° 'spring' mount clip in 316 Stainless Steel. Package of 10pcs, two recommended per fixture module. #10 countersink screws not included.



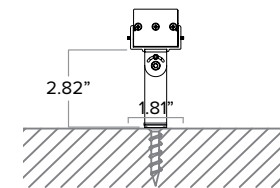
KTMNLBKT30
Fixed 30° 'spring' mount clip in 316 Stainless Steel. Package of 10pcs, two recommended per fixture module. #10 countersink screws not included.



KTMNLBKT45
Fixed 45° 'snap' mount clip in 316 Stainless Steel. Package of 10pcs, two recommended per fixture module. #10 countersink screws not included.



ORDEV1
Adjustable mounting bracket. Allows for 90° tilt in both directions. Can be mounted at multiple positions along the length of the fixture. Sold in pairs of 2pcs. Two brackets recommended for mounting per fixture module.

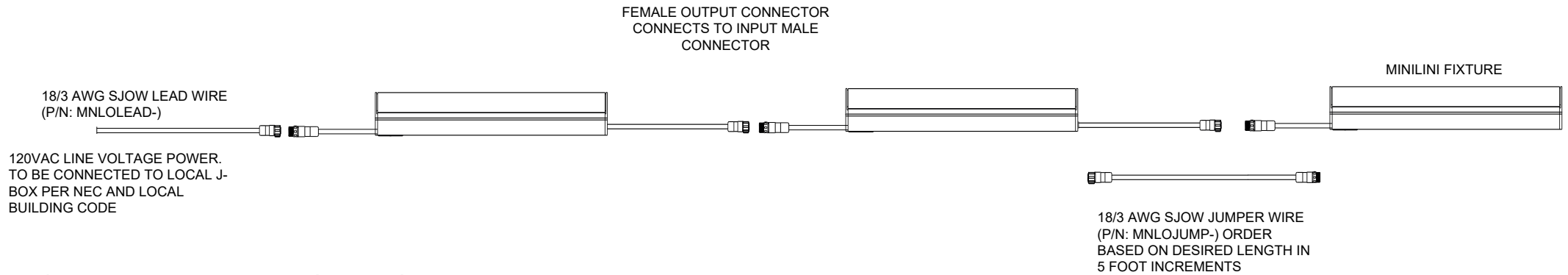


ORDEV2
Adjustable mounting bracket. Allows for 90° tilt in both directions. Can be mounted at multiple positions along the length of the fixture. Sold in pairs of 2pcs. Two brackets recommended for mounting per fixture module.

INSTALLATION INSTRUCTIONS

CONNECTION WIRING DIAGRAM

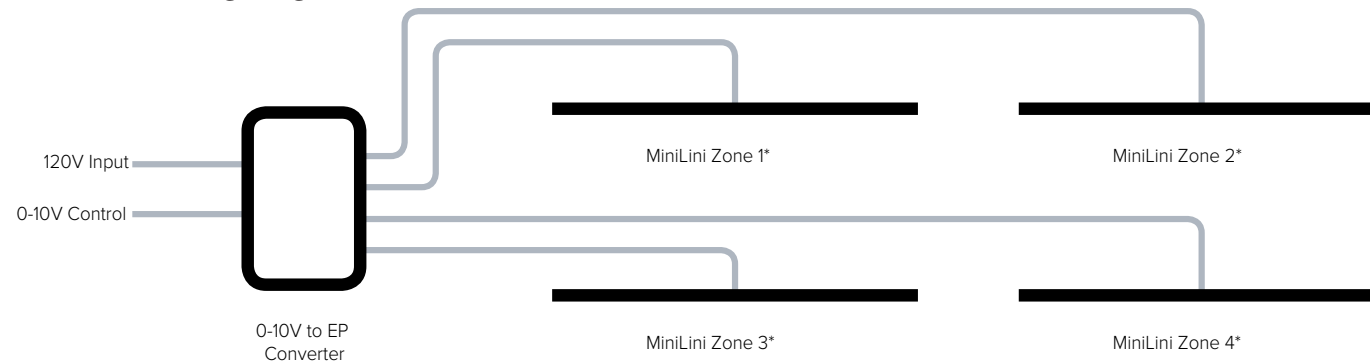
Below is the connection diagram for a Minilini zone series connection with lead and jumper wires for optimal layout connection. Be sure to properly secure the connections tight to prevent any moisture entering the connection. **CAUTION: DO NOT CONNECT FIXTURES WITH LIVE VOLTAGE.**



CONVERTER WIRING DIAGRAM

Below is the overall wiring diagram for a Minilini zones wiring with the 0-10V to EP dimming control provided by the factory. Again, be sure to properly secure the connections tight to prevent any moisture entering the connection. **CAUTION: DO NOT CONNECT FIXTURES WITH LIVE VOLTAGE.**

Converter Wiring Diagram



*Connect up to 18ft of 16W linear product on one run or connect up to 75ft of 4W linear product on one run.
Note: Install according to local and NEC building codes.