

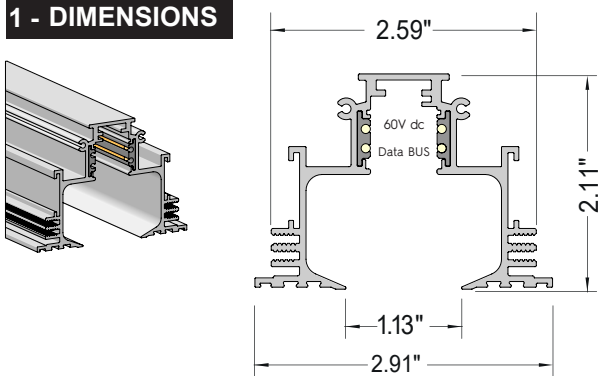


## FORTYEIGHT MULTISYSTEM EVO

9500-UL1/W2-TA1-E, (B-TA1-E)  
 9500-UL2/W2-TA1-E, (B-TA1-E)

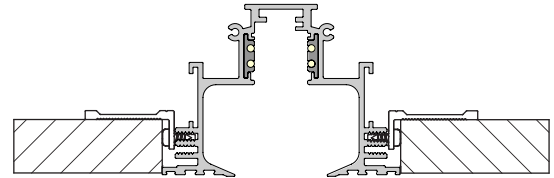
1M RECESSED DEEP TRIMLESS  
 2M RECESSED DEEP TRIMLESS

### 1 - DIMENSIONS

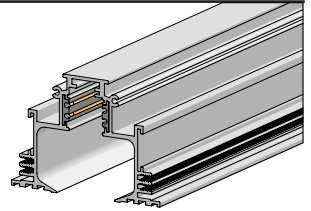
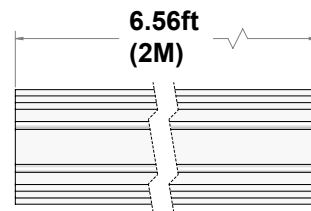
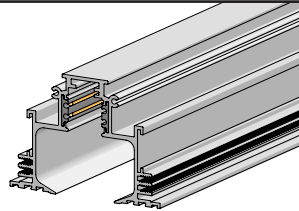
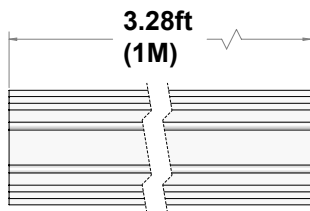


### 2 - USE

Trimless (ceiling - wall)



### 3 - TRACK OPTIONS



FORTYEIGHT MULTISYSTEM recessed deep trimless track, field cuttable with specialized tool (REQUIRED).

Finish  White  Black

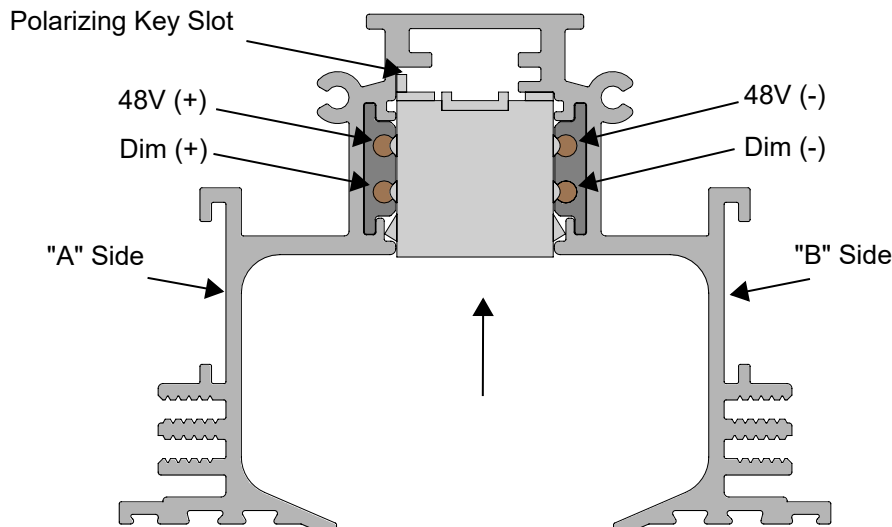
Part No. 9500-UL1/W2-TA1-E 9500-UL1/B-TA1-E

FORTYEIGHT MULTISYSTEM recessed deep trimless track, field cuttable with specialized tool (REQUIRED).

Finish  White  Black

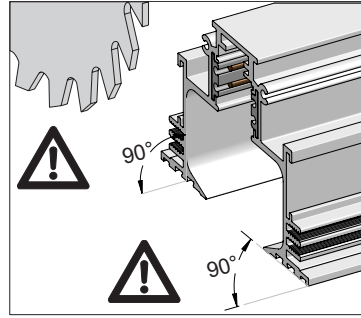
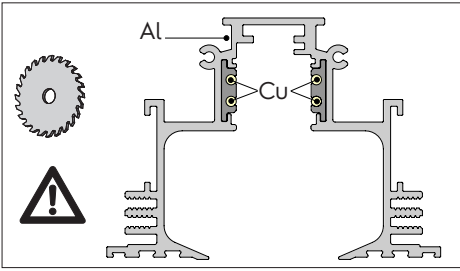
Part No. 9500-UL2/W2-TA1-E 9500-UL2/B-TA1-E

### 4 - TRACK POLARITY

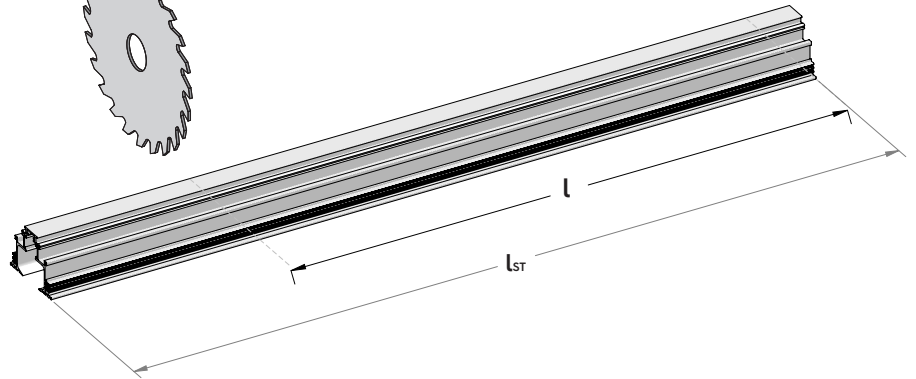


\*Track is shipping with "A" and "B" Labeling for correct Polarity.

## 5 - CUTTING

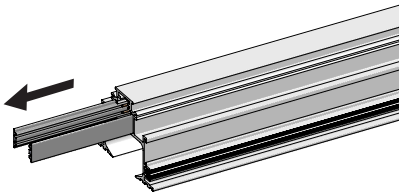


MULTISYSTEM Evo Track can be field cut to required length with use of a Chop saw and appropriate saw blade for cutting Aluminum.



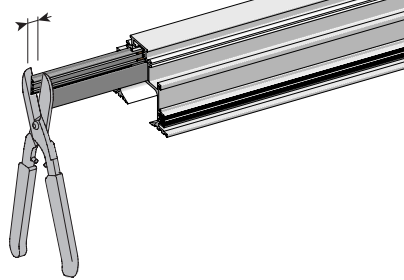
1

After cutting track to length, trim off Conductor Rails to 3/16" short to full length.

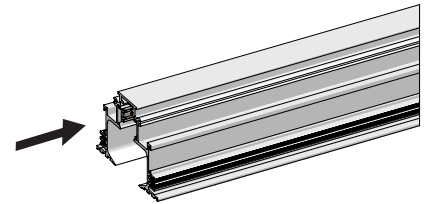


2

3/16"



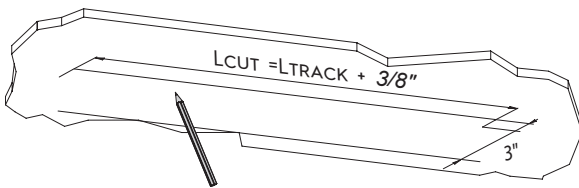
After cutting Conductor Rails, insert back into tracks.



4

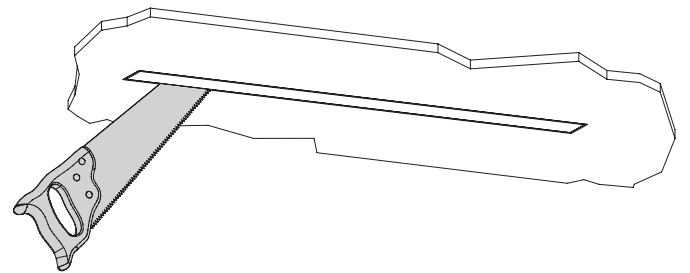
\*Be sure to maintain "A" and "B" polarizing labeling to ensure correct track direction.

## 6 - CUT CEILING

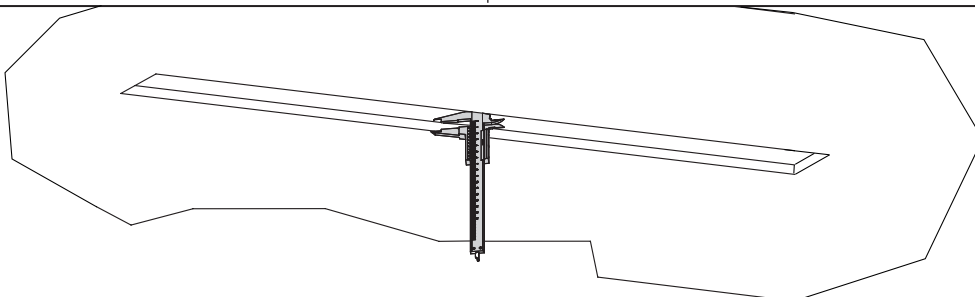


1 Cut or build slot to fit track at 3 inches wide by the length of track plus 3/8".

1



2



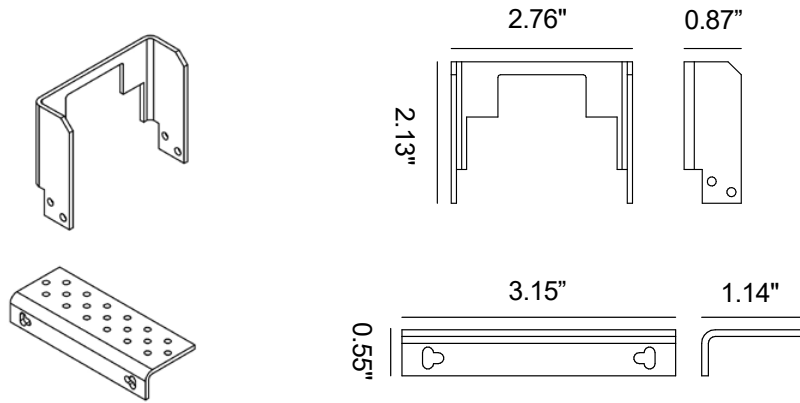
3

Confirm depth of ceiling material.

## 7- ASSEMBLE SUPPORT AND TENSIONS BRACKETS TO TRACK

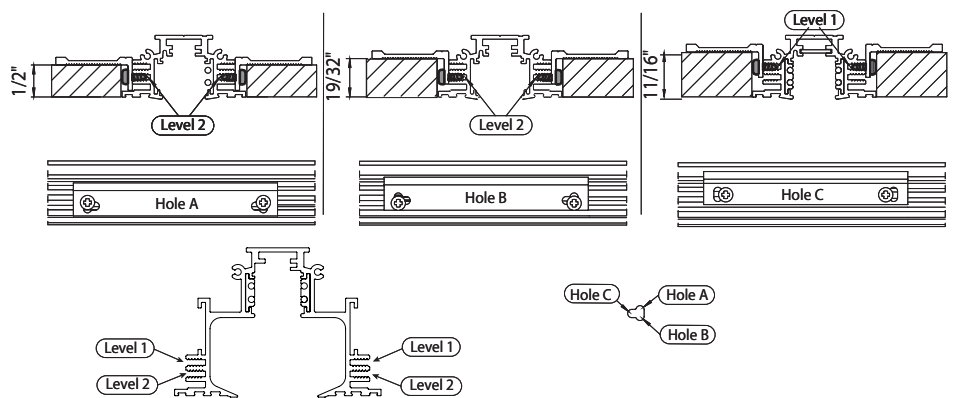
Part No. 1T9583

**Recessed Track Mounting Bracket Kit, 4ea. Includes 4ea Lateral Brackets and 2ea Tensioner Brackets. REQUIRED 1 kit per 1M track and 2kits for 2M track.**



1

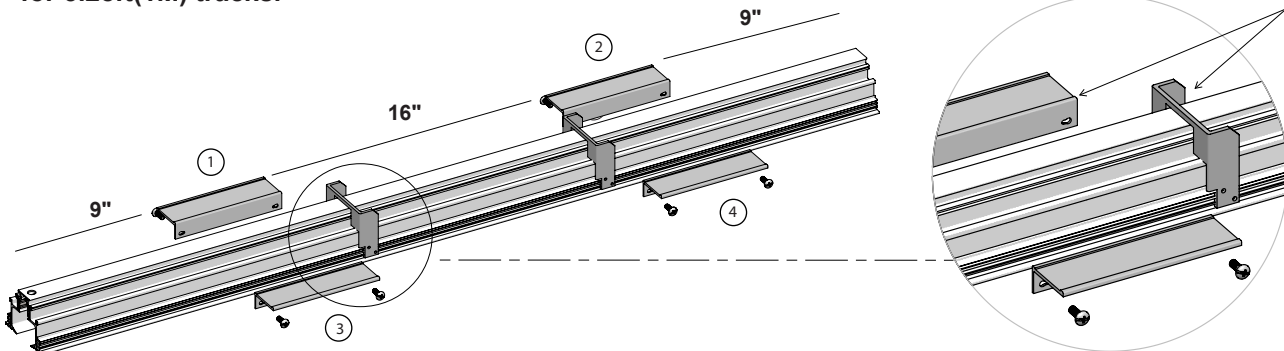
Support brackets can be mounted to allow for 3 different ceiling depths at 1/2", 19/32" or 11/16". Use correct combination of screw position and track slot to create best mounting position.



2

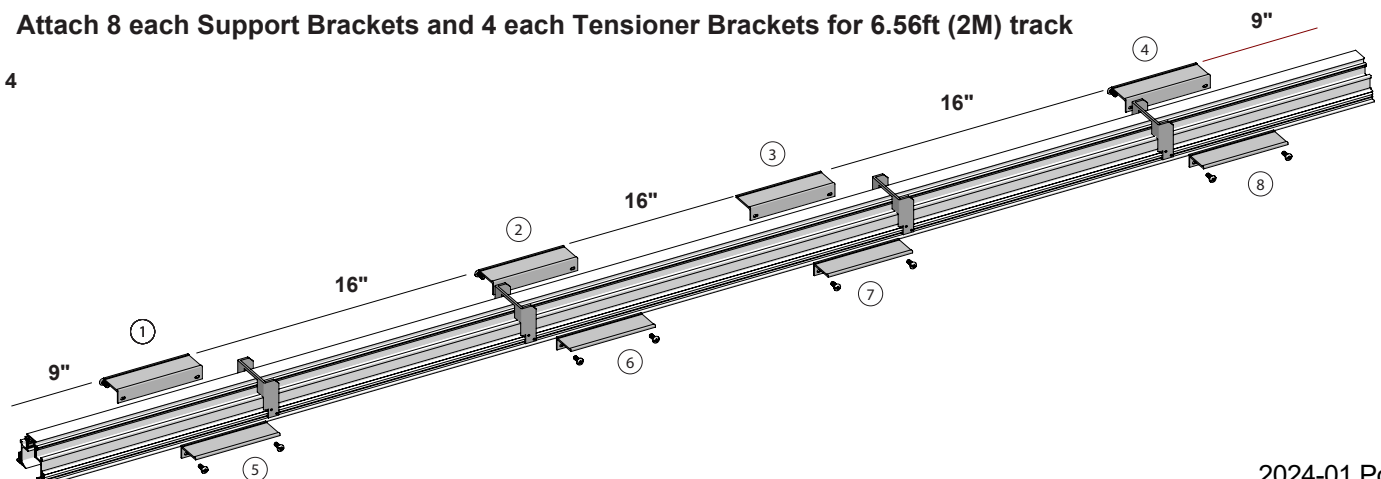
Attach 4 each Support Brackets and 2 each Tensioner Brackets for 3.28ft(1M) tracks.

**1T9583**  
Bracket Kit



3

Attach 8 each Support Brackets and 4 each Tensioner Brackets for 6.56ft (2M) track



4

## 8- ATTACH END CAP

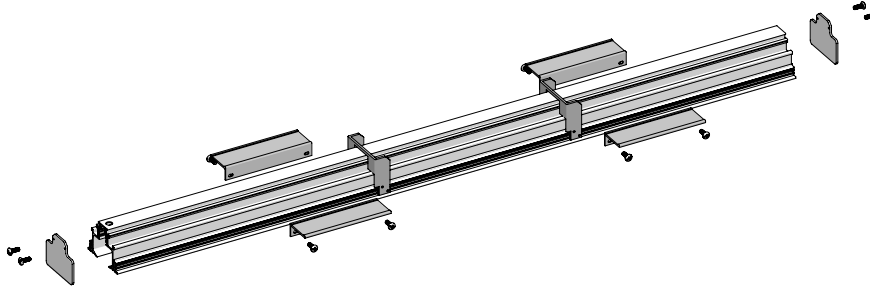
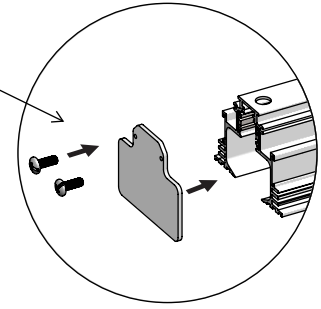
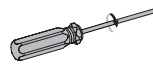
### END CAP

Part No. 1T7171

FORTYEIGHT MULTISYSTEM EVO  
recessed deep trimless track metal  
end cap, 2pcs.



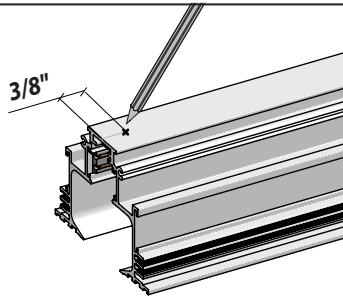
1T7171



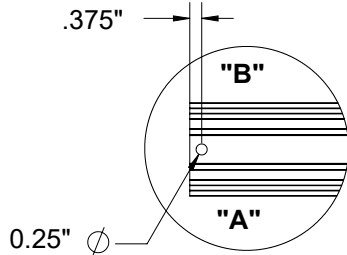
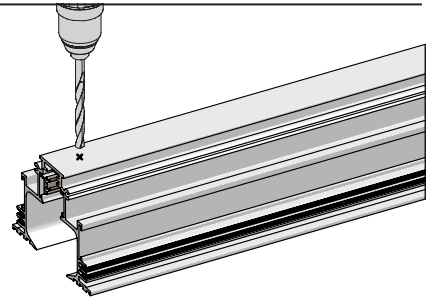
## 9- LEAD CABLE

Drill Lead Cable  
hole at 3/8" from end  
of track. Be sure to  
layout track before  
drilling to be sure to set  
up at correct end.

1



2



18ga Cable

Power

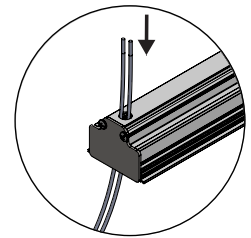
48V (+)

48V (-)

Dim (-)

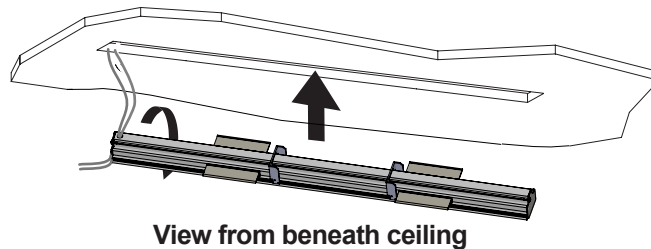
Dim (+)

Dimming



Rotate assembled track  
sideways to insert up  
through slot.

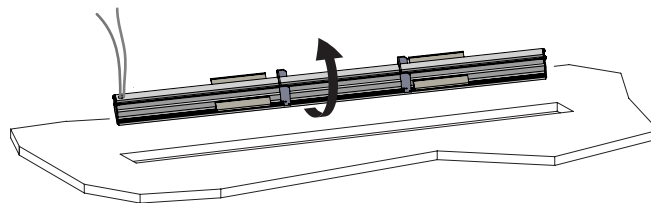
3



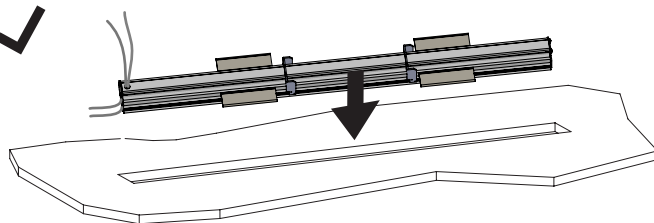
View from beneath ceiling

When above ceiling,  
rotate assembled track  
to flat position and pull  
down into slot.

4

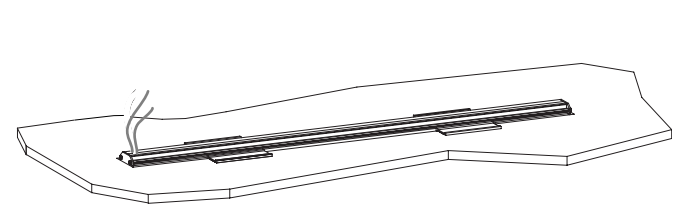


View from above ceiling



5

View from above ceiling

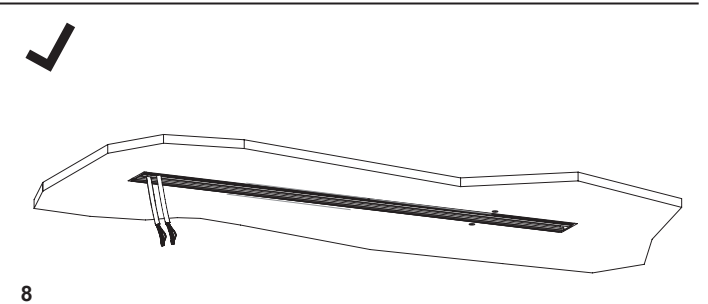
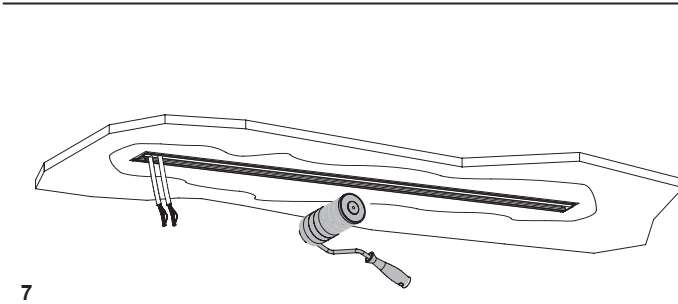
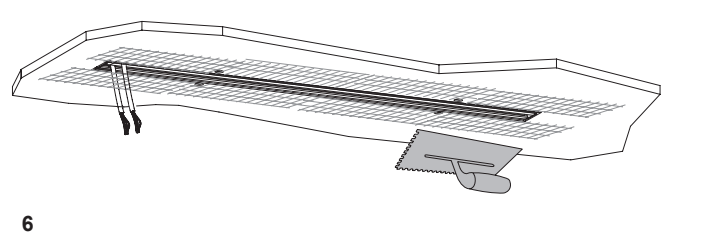
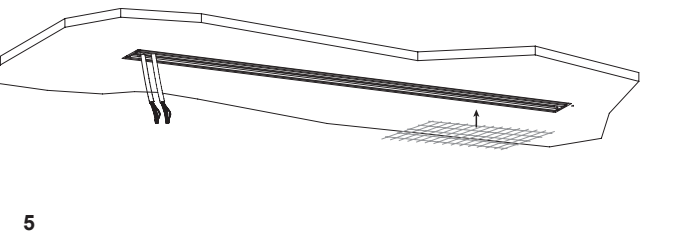
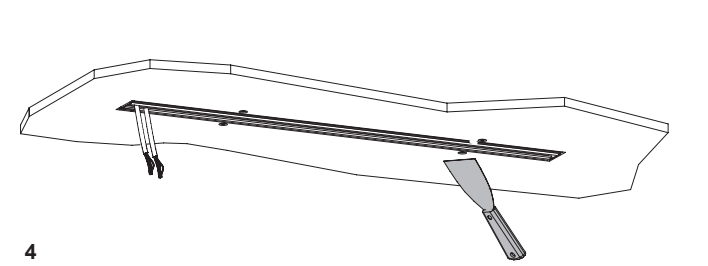
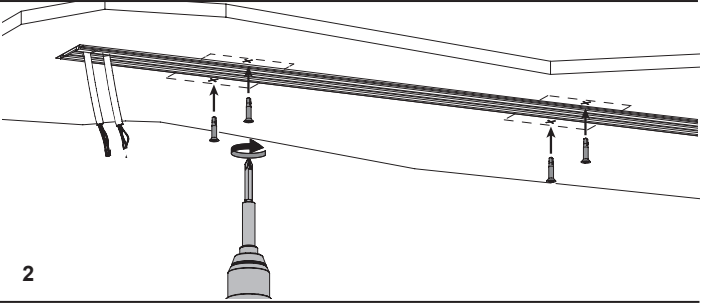
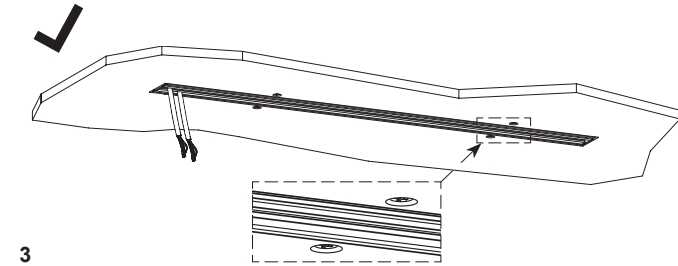
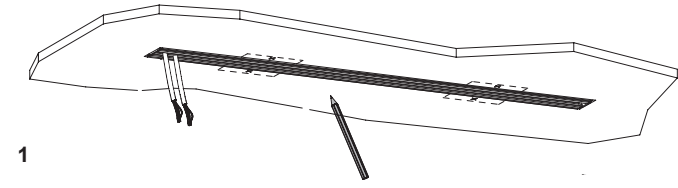


6

View from above ceiling

# 100 SECURE TRACK

Once track is positioned above the ceiling, mark at ceiling where to drill and screw through support brackets.

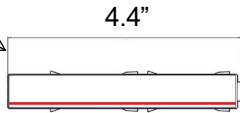


# 11 - ELECTRICAL FEED

Linear end feed polarity left.  
Part No. 9501-S-KL/W-E, 9501-S-KL/B-E

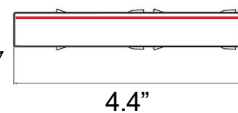
Linear end feed polarity right.  
Part No. 9501-S-KR/W-E, 9501-S-KR/B-E

Track End insert toward fixtures when installed.



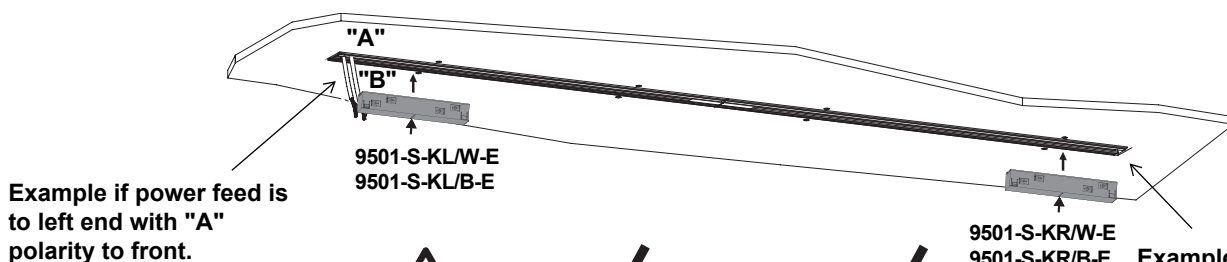
Lead End inserts towards track end.

Track End insert toward fixtures when installed.



Lead End inserts towards track end.

1

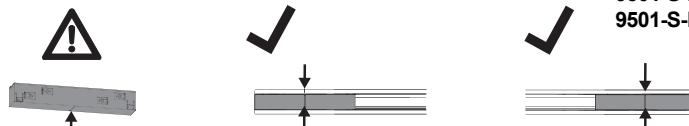


Example if power feed is to left end with "A" polarity to front.

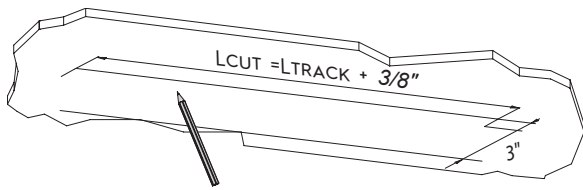
9501-S-KR/W-E  
9501-S-KR/B-E

Example if power feed is to right end with "A" polarity to front.

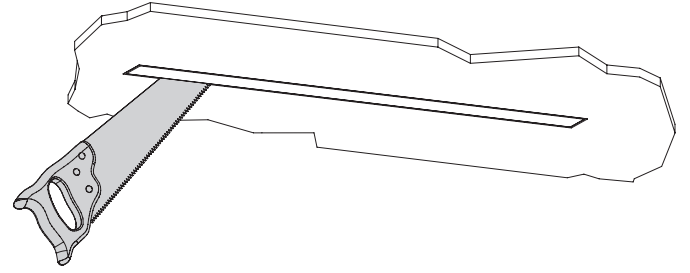
2



## 12 - TRACK INTER CONNECTION



1 Cut or build slot to fit track at 3 inches wide by the length of combined tracks plus 3/8".



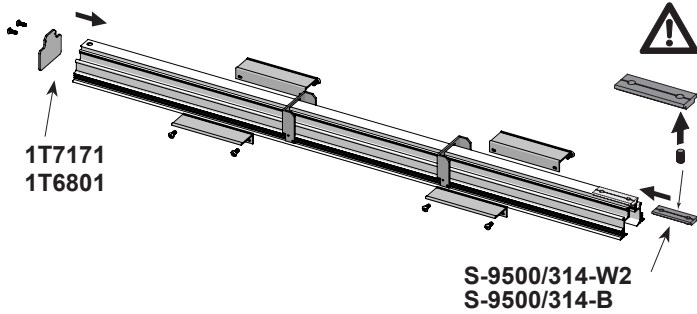
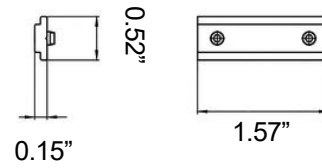
2

### LINEAR JOINT CONECTOR (REQUIRED)

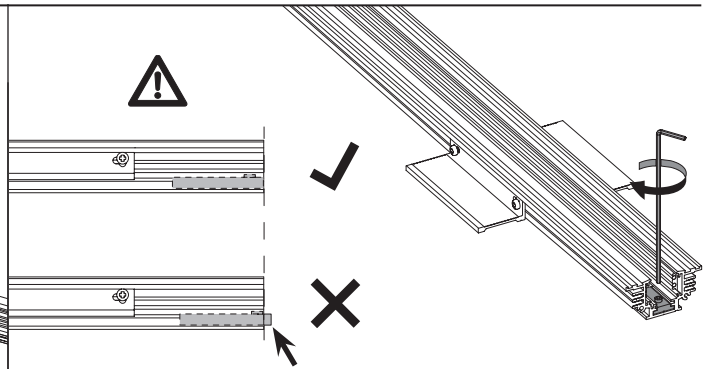
S-9500/314-W2

S-9500/314-B

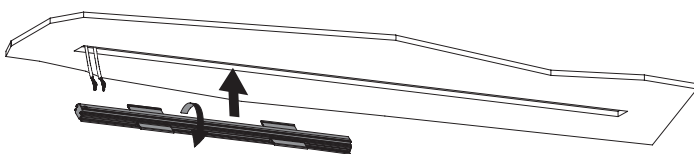
1ea per interconnected length.



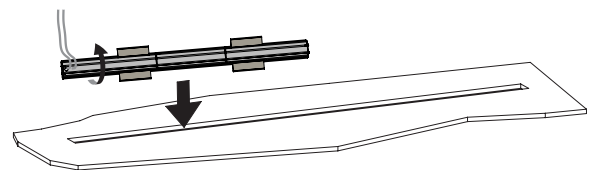
3 Add Linear Joint Connector to first track.



4 Joint Connector should align to end first track.

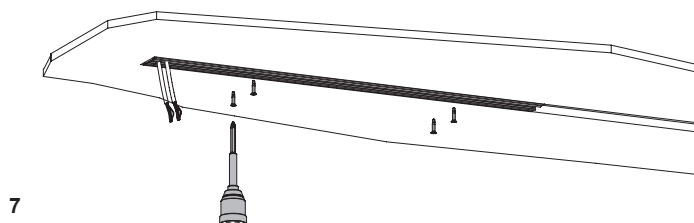


5 Insert Lead Cable and rotate first track into ceiling slot.

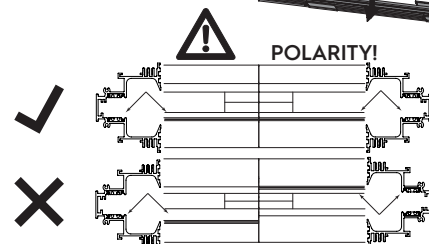


6 Rotate first track and set into slot.

Secure first track into ceiling.

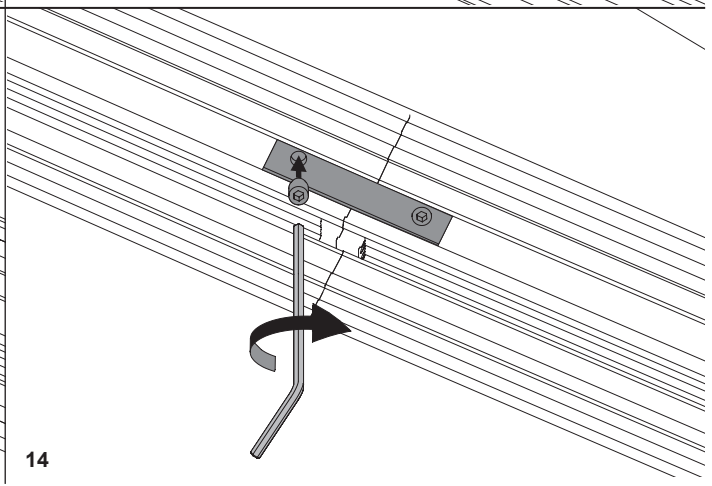
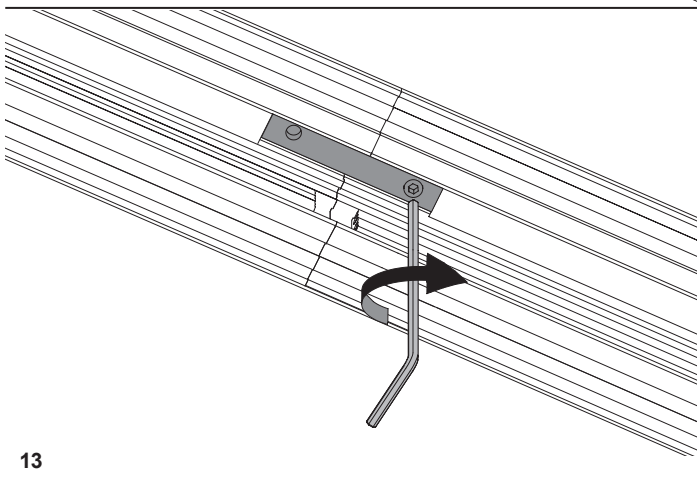
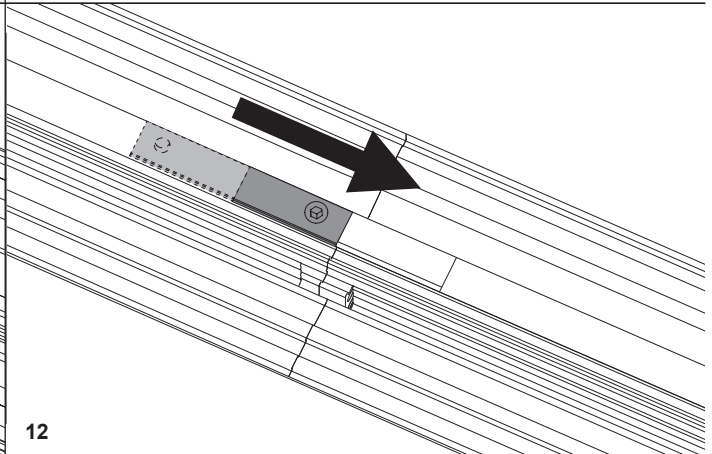
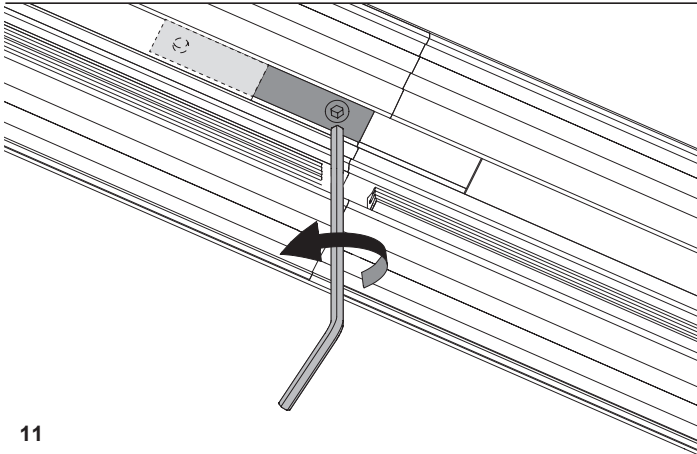
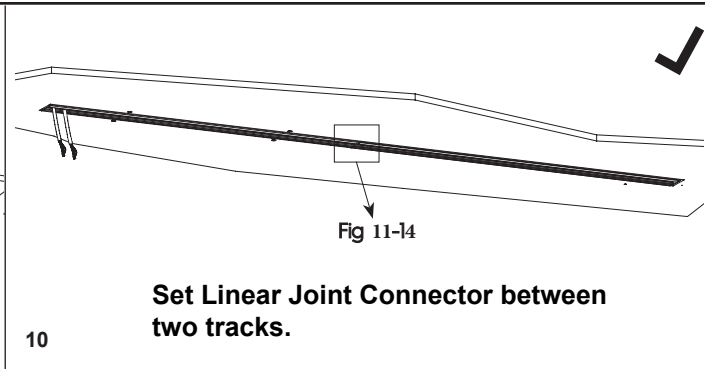
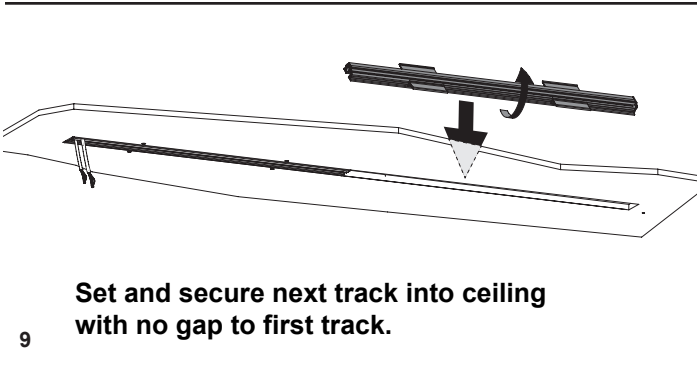


7



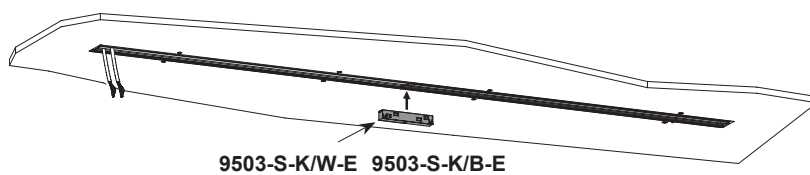
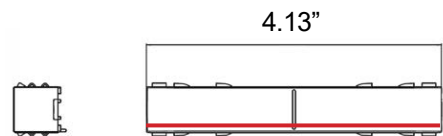
8 Insert next track into ceiling with correct polarity direction.

2024-01 Pg. 6

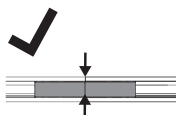


**ELECTRICAL CONNECTOR (OPTIONAL)**

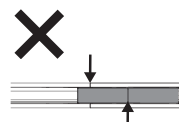
L – Polarized electrical joint connector, internal polarity.  
 Max of 5 connectors per individual power supply.  
 Part No. 9511-KI/W-E, 9511-KI/B-E



**15** Do not insert with live power. Be sure to check "A" and "B" polarity labels.



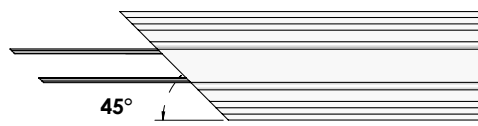
Confirm polarity of both tracks are aligned and connector is in the center.



Do not install with connector offset from center. 2024-01 Pg. 7

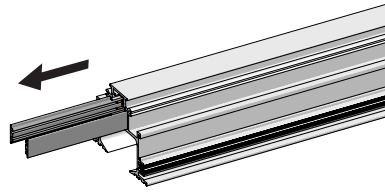
### 13- TRACK CORNER CONNECTION

Cutting two tracks to length, and 45 degree.

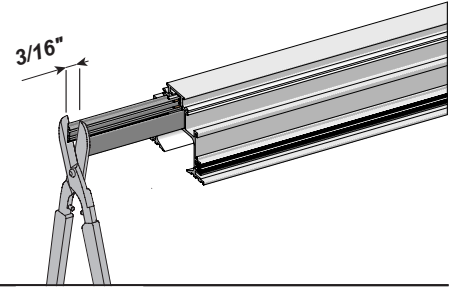


1

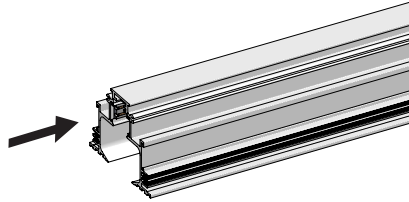
After cutting track to length, trim off Conductor Rails to 3/8" short to full length.



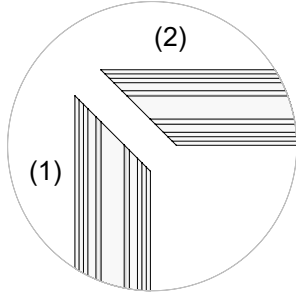
2



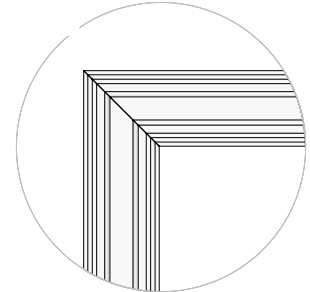
After cutting Conductor Rails, insert back into tracks.



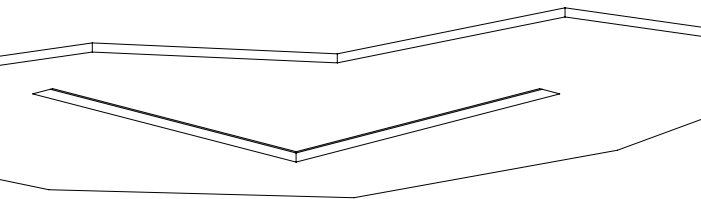
4



5

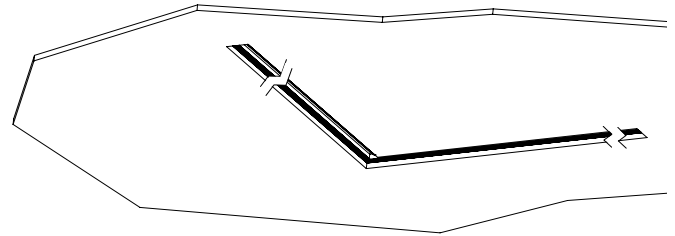


6

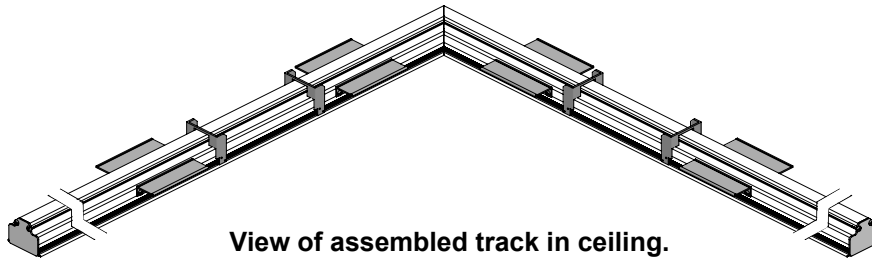


7

Cut or build slot to fit track at 3" wide by the length of track required.



8



View of assembled track in ceiling.

### ELECTRICAL CORNER CONNECTOR (OPTIONAL)

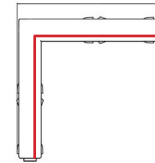
Part No. 9511-KI/W-E 9511-KI/B-E

Linear – Polarized electrical joint connector, internal polarity.

Max of 5 connectors per individual power supply.

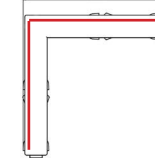
0.7"

4.12"



0.7"

4.12"

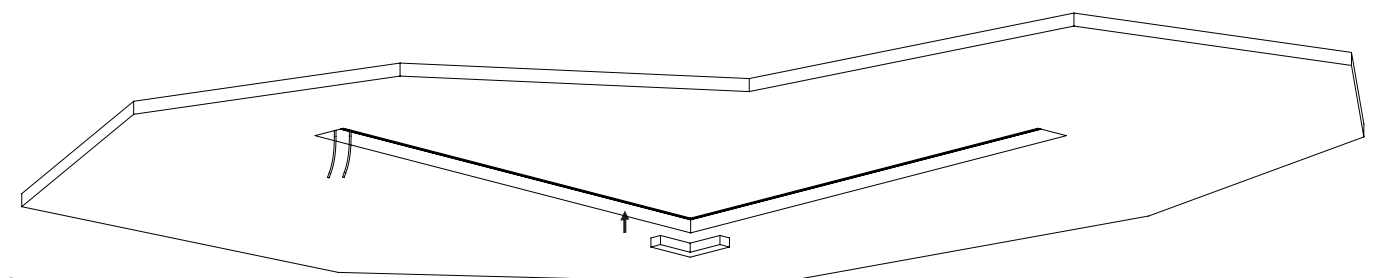


4.13"

Part No. 9511-KE/W-E 9511-KE/B-E

Linear – Polarized electrical joint connector, external polarity.

Max of 5 connectors per individual power supply.



9

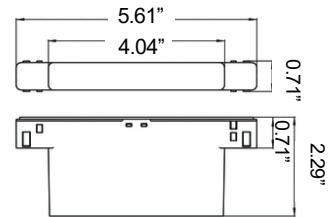


15- OPTION DALI AND CASAMBI CONTROL

**INTERFACE (OPTIONAL)**

Wireless bluetooth interface. Generates a local bus per run for individual fixture control for up to 96W max or 64 fixtures. Can control fixtures in indoor applications via Casambi wireless bluetooth protocol. **Only to be used with Dali/Wireless Bluetooth Casambi version of FORTYEIGHT fixture range.**

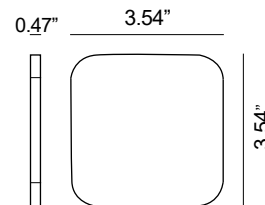
Part No. APP1-M-C0-9519/W-E APP1-M-C0-9519/B-E



**CONTROLLER (OPTIONAL)**

Casambi Xpress remote controller, indoor mounted only. Four programmable presets. CR2430 battery (Included). **For DALI / Wireless Bluetooth Casambi control only. Each controller can program up to 4ea APP1-M-C0-9519 interfaces.**

Part No. SWITCH26 SWITCH25



**WIRING DIAGRAM**