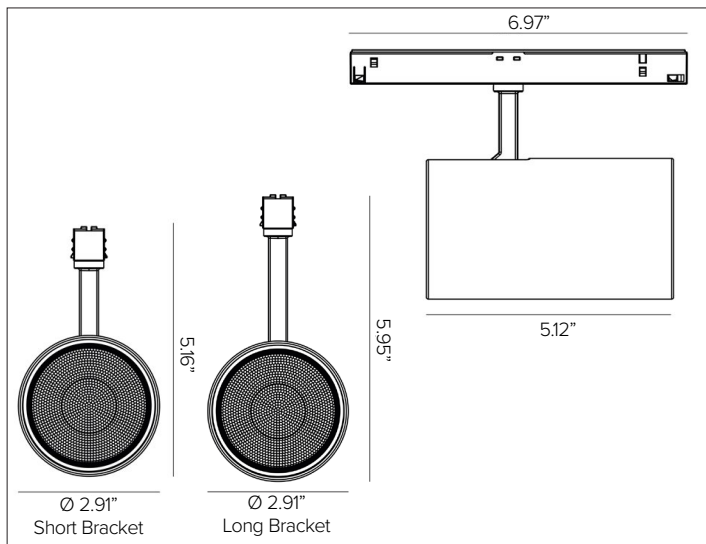


# FORTYEIGHT LABEL 7

## Low Voltage LED Track Projector



FORTYEIGHT LABEL 7 shown in Deep Black finish.



### CONCEPT

Professional low voltage adjustable LED track projector.

### MECHANICAL CHARACTERISTICS

<b>Dimensions</b>	2.91" Diameter x 5.12" D
<b>Materials</b>	Die-cast aluminum finished body.
<b>Finish</b>	● Plaster White ● Deep Black
<b>Power Connection</b>	To be completed with FORTYEIGHT MULTISYSTEM low voltage polarized track. Not 'Hot Swap' capable. Power to the track must be turned off for removal, replacement, or movement of the fixture.
<b>Functionality</b>	Tool-less installation, utilizing a mechanical fixture system that mounts to FORTYEIGHT MULTISYSTEM track system. <b>NOTE: Max of 4 connectors or 30ft of track per individual 96W power supply and/or 90W.</b> Can be used in combination with FORTYEIGHT fixture range to maximum of 90W per 96W, 48V driver.
<b>Mounting</b>	FORTYEIGHT MULTISYSTEM track system, sold separately. <b>Surface version NOT compatible with FORTYEIGHT RECESSED DEEP TRIMLESS track.</b> Fixture can be vertically adjusted from 0° to 90° and horizontally up to 420° with friction locking system.
<b>Weight</b>	0.29lbs
<b>Protection</b>	IP20

### CERTIFICATIONS

cULus Class 2 SELV Listed E485491  
 Tested in accordance with LM-79-08.  
 Compliant for California installations  
 RoHS3 EU 215/863

### WARRANTY

5 year limited warranty.

### SUSTAINABILITY

Luminaire designed for disposal/recycling at end-of-life. Replaceable LED light source and control gear by a Targetti technician.

### ELECTRICAL CHARACTERISTICS

<b>Power Supply</b>	Remote 48V driver required, refer to FORTYEIGHT MULTISYSTEM track spec sheet.
<b>Wattage</b>	23W
<b>Voltage</b>	48V
<b>Control</b>	0-10V to 1% or DALI / Wireless Bluetooth Casambi to 0% <b>Note: Control cable wired directly to track from dimming interface, not through remote driver.</b> 0-10V group fixture control. For individual fixture control DALI or wireless DALI/Casambi. For wireless bluetooth control via Casambi, use DALI fixture in combination with APP1-M-C0-9519 wireless control interface, refer to FORTYEIGHT MULTISYSTEM track specification sheet for detailed information.

### SOURCE

High efficiency LED Chip on Board

TM30	CCT (Nominal)	CRI	Rf	Rg	SDCM
	2700K	90	92	99	1.5
	3000K	90	92	101	1.5
	3500K	90	91	100	1.5
	4000K	90	90	98	1.5

### OPTIC

Optical system is dependent on beam angle. SP / FL versions comprised of metalized polycarbonate precision optics with opaque black silicone cut off ring. MWFL version comprised of convex faceted highly reflective anodized aluminum precision optic with opaque black silicone cut off ring.

Beam	SP 21°	FL 33°	MWFL 46°
<b>Delivered Lumens</b>	<b>2700K</b> 1888Lm	1954Lm	1997Lm
<i>Refer to photometry section for all fixture variations.</i>	<b>3000K</b> 1962Lm	2031Lm	2076Lm
	<b>4000K</b> 1993Lm	2076Lm	2109Lm

For 3500K lumen values use multiplier of 1.02 from 3000K

<b>Efficacy</b>	92 Lm/W max. Refer to photometric graphs for specific values.
<b>Lifetime</b>	L92/B10 >30,000hrs at max TA +25°C L90/B10 >50,000hrs at max TA +25°C L86/B10 >80,000hrs at max TA +25°C L84/B10 >100,000hrs at max TA +25°C
<b>Photobiological Classification</b>	Low risk photobiological safety RG1

# FORTYEIGHT LABEL 7

## SPECIFICATION INFORMATION

48	LA	7							10	11
1	2	3	4	5	6	7	8	9	REQUIRED	OPTIONAL

Ex: 48LA710SL2SP27PW

1 - PRODUCT CODE	2 - TYPE	3 - SIZE	4 - ADAPTER	5 - STEM	6 - WATTAGE	7 - OPTICS	8 - KELVIN	9 - FINISH
48 — FORTYEIGHT	LA — LABEL	7 — 2.91" Dia.	10 — 0-10V DA <sup>A</sup> — DALI/Wireless Casambi	S <sup>B</sup> — Short L — Long	L2 — 23W	SP — SP 21° FL — FL 33° MW — MWFL 46°	27 — 2700K 30 — 3000K 35 — 3500K 40 — 4000K	PW — Plaster White DB — Deep Black

10 - TRACK	11 - OPTICAL ACCESSORIES
<p><b>REQUIRED</b></p> <p>To be completed with <b>FORTYEIGHT MULTISYSTEM TRACK RECESSED TRIMLESS DEEP</b> or <b>SURFACE / SUSPENSION</b></p>	<p><a href="#">Anti-Glare Louver</a> See section for details</p> <p><a href="#">Blade of Light Linear Spread Lens</a> See section for details</p>

<sup>A</sup> For wireless bluetooth control via Casambi, use DALI fixture in combination with APP1-M-CO-9519 wireless control interface.  
<sup>B</sup> Not compatible with Recessed Deep Trimless Track.

## MOUNTING COMPATIBILITY

**FORTYEIGHT MULTISYSTEM SURFACE/SUSPENSION TRACK** shown with FORTYEIGHT LABEL 4 (S) SHORT STEM fixture version.

**FORTYEIGHT MULTISYSTEM SURFACE/SUSPENSION TRACK** shown with FORTYEIGHT LABEL 4 (L) LONG STEM fixture version.

**FORTYEIGHT RECESSED TRIMLESS DEEP TRACK** shown with FORTYEIGHT LABEL 4 (L) LONG STEM fixture version.

**NOTE: (S) SHORT STEM fixture version NOT compatible with FORTYEIGHT RECESSED TRIMLESS DEEP TRACK.**



**FORTYEIGHT LABEL 7**

11 – ACCESSORIES (OPTIONAL)



'Blade of Light' linear spread lens. PMMA holographic filter.

Part No. **1T8094**



Anti-glare louver. Lacquered metal honeycomb structure. Complete with holographic diffusion filter.

Finish ● Deep Black

Part No. **1T8093**

# FORTYEIGHT LABEL 7

## PHOTOMETRY

### SPOT



		2700K	H(m)	D(m)	Emax(lx)	
		Ra90		21°		
Fixture Power	23W	1	0.37	10206		
Source Flux	2651lm	2	0.75	2552		
Fixture Flux	1888lm	3	1.12	1134		
Efficacy	82lm/W	4	1.50	638		
TS1240	I <sub>max</sub> =3850cd/klm	I <sub>max</sub>	10206cd	5	1.87	408



		3000K	H(m)	D(m)	Emax(lx)	
		Ra90		21°		
Fixture Power	23W	1	0.37	10611		
Source Flux	2756lm	2	0.75	2653		
Fixture Flux	1962lm	3	1.12	1179		
Efficacy	85lm/W	4	1.50	663		
TS1240	I <sub>max</sub> =3850cd/klm	I <sub>max</sub>	10611cd	5	1.87	424



		4000K	H(m)	D(m)	Emax(lx)	
		Ra90		21°		
Fixture Power	23W	1	0.37	10776		
Source Flux	2799lm	2	0.75	2694		
Fixture Flux	1993lm	3	1.12	1197		
Efficacy	87lm/W	4	1.50	674		
TS1240	I <sub>max</sub> =3850cd/klm	I <sub>max</sub>	10776cd	5	1.87	431

### FLOOD



		2700K	H(m)	D(m)	Emax(lx)	
		Ra90		33°		
Fixture Power	23W	1	0.59	5761		
Source Flux	2651lm	2	1.18	1440		
Fixture Flux	1954lm	3	1.77	640		
Efficacy	85lm/W	4	2.36	360		
TS1241	I <sub>max</sub> =2173cd/klm	I <sub>max</sub>	5761cd	5	2.95	230



		3000K	H(m)	D(m)	Emax(lx)	
		Ra90		33°		
Fixture Power	23W	1	0.59	5989		
Source Flux	2756lm	2	1.18	1497		
Fixture Flux	2031lm	3	1.77	665		
Efficacy	88lm/W	4	2.36	374		
TS1241	I <sub>max</sub> =2173cd/klm	I <sub>max</sub>	5989cd	5	2.95	240



		4000K	H(m)	D(m)	Emax(lx)	
		Ra90		33°		
Fixture Power	23W	1	0.59	6082		
Source Flux	2799lm	2	1.18	1521		
Fixture Flux	2063lm	3	1.77	676		
Efficacy	90lm/W	4	2.36	380		
TS1241	I <sub>max</sub> =2173cd/klm	I <sub>max</sub>	6082cd	5	2.95	243

### MEDIUM WIDE FLOOD



		2700K	H(m)	D(m)	Emax(lx)	
		Ra97		46°		
Fixture Power	23W	1	0.85	3685		
Source Flux	2651lm	2	1.69	921		
Fixture Flux	1997lm	3	2.54	409		
Efficacy	87lm/W	4	3.39	230		
TS1242	I <sub>max</sub> =1390cd/klm	I <sub>max</sub>	3686cd	5	4.23	147



		3000K	H(m)	D(m)	Emax(lx)	
		Ra97		46°		
Fixture Power	23W	1	0.85	3831		
Source Flux	2756lm	2	1.69	958		
Fixture Flux	2076lm	3	2.54	426		
Efficacy	90lm/W	4	3.39	239		
TS1242	I <sub>max</sub> =1390cd/klm	I <sub>max</sub>	3832cd	5	4.23	153



		4000K	H(m)	D(m)	Emax(lx)	
		Ra97		46°		
Fixture Power	23W	1	0.85	3891		
Source Flux	2799lm	2	1.69	973		
Fixture Flux	2109lm	3	2.54	432		
Efficacy	92lm/W	4	3.39	243		
TS1242	I <sub>max</sub> =1390cd/klm	I <sub>max</sub>	3892cd	5	4.23	156