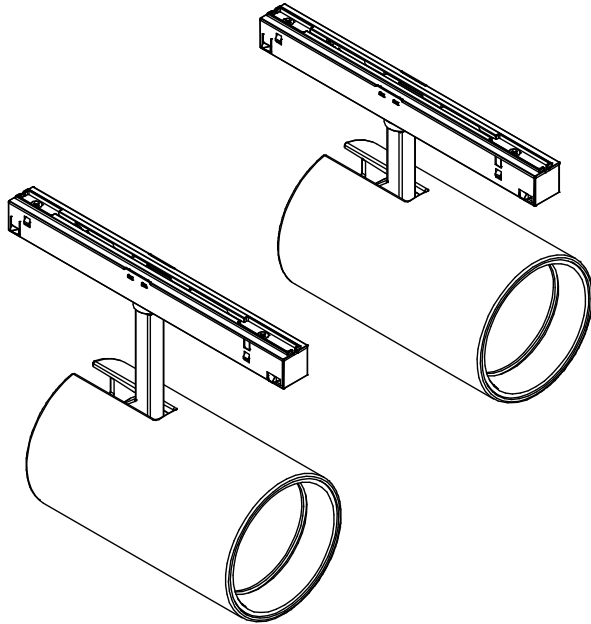




FORTYEIGHT - LABEL 7

48LA7-

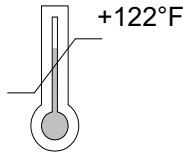
LOW VOLTAGE LED TRACK PROJECTOR



48V-DC



-4°F



WARNING

To ensure a maximum efficiency of the product, read the instructions before proceeding to installation



This fixture must be installed by a licensed and qualified electrician. The installer must comply with NEC and local building codes when installing the fixture



Electrical current can cause painful shock, serious injury, or even death. Make sure you turn off the power supply, ground fixture(s), and make sure all electrical connections are correct and secured tightly



Keep the label of the original packaging if any eventual future claims are needed

If in doubt about the symbols please refer to catalog or website.

Short Bracket



∅ 2.91"

5.16"

Long Bracket



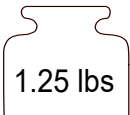
∅ 2.91"

5.95"

6.97"



5.12"

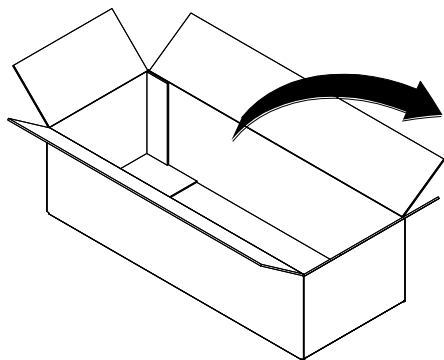


1.25 lbs

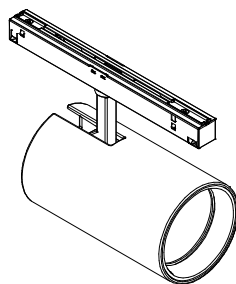
Table of Contents

Packaging Contents / Fixture Dimensions	Pg.2
Control Type Compatibility	Pg.3,4
Mounting Compatibility	Pg.5
Fixture Installation Instructions	Pg.6
Fixture Aiming	Pg.7
Label 4 Accessories	Pg.8,9
Maintenance / Support	Pg.10

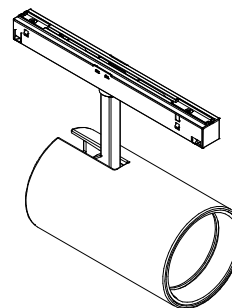
Packaging Contents



BOX 8" x 6" x 4" @1.25lbs



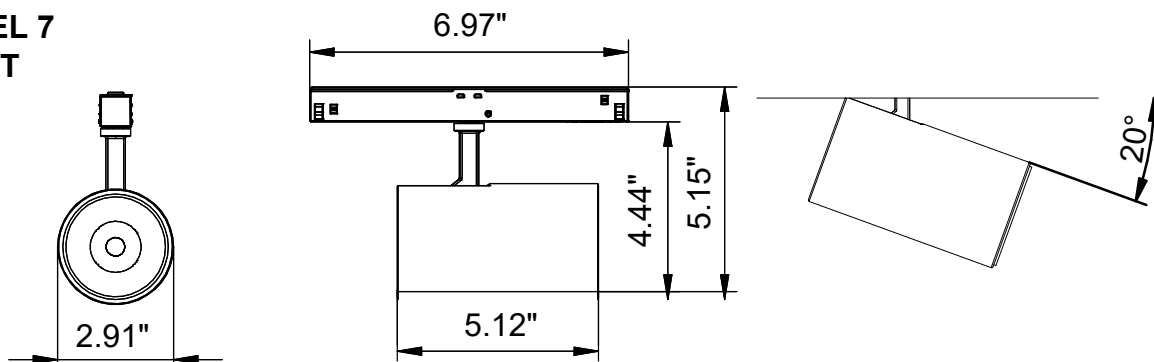
**FORTYEIGHT LABEL 7
SHORT BRACKET 1 ea.**



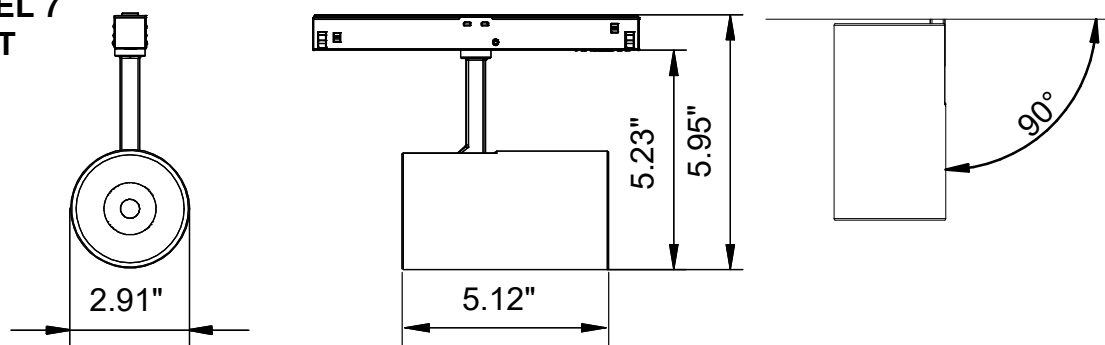
**FORTYEIGHT LABEL 7
LONG BRACKET 1 ea.**

Fixture Dimensions

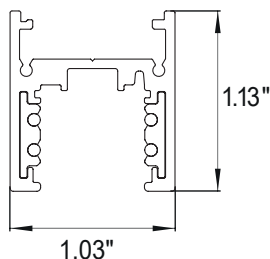
**FORTYEIGHT LABEL 7
SHORT BRACKET**



**FORTYEIGHT LABEL 7
LONG BRACKET**

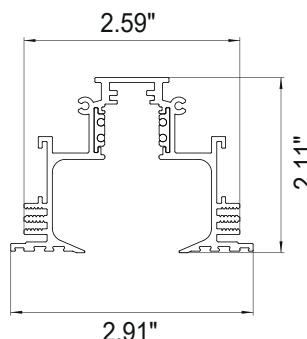


FORTYEIGHT MULTISYSTEM TRACK (SOLD SEPARATELY)



**FORTYEIGHT
MULTISYSTEM SURFACE/
SUSPENSION**

**9500-UL/W-ST6-E, (B-ST6-E)
9500-UL/W-ST6-E, (B-ST6-E)**



**FORTYEIGHT
MULTISYSTEM EVO**

**9500-UL1/W2-TA1-E, (B-TA1-E)
9500-UL2/W2-TA1-E, (B-TA1-E)**

Control Type Compatibility

0-10v and Dali Direct Control

0-10V or Dali Direct

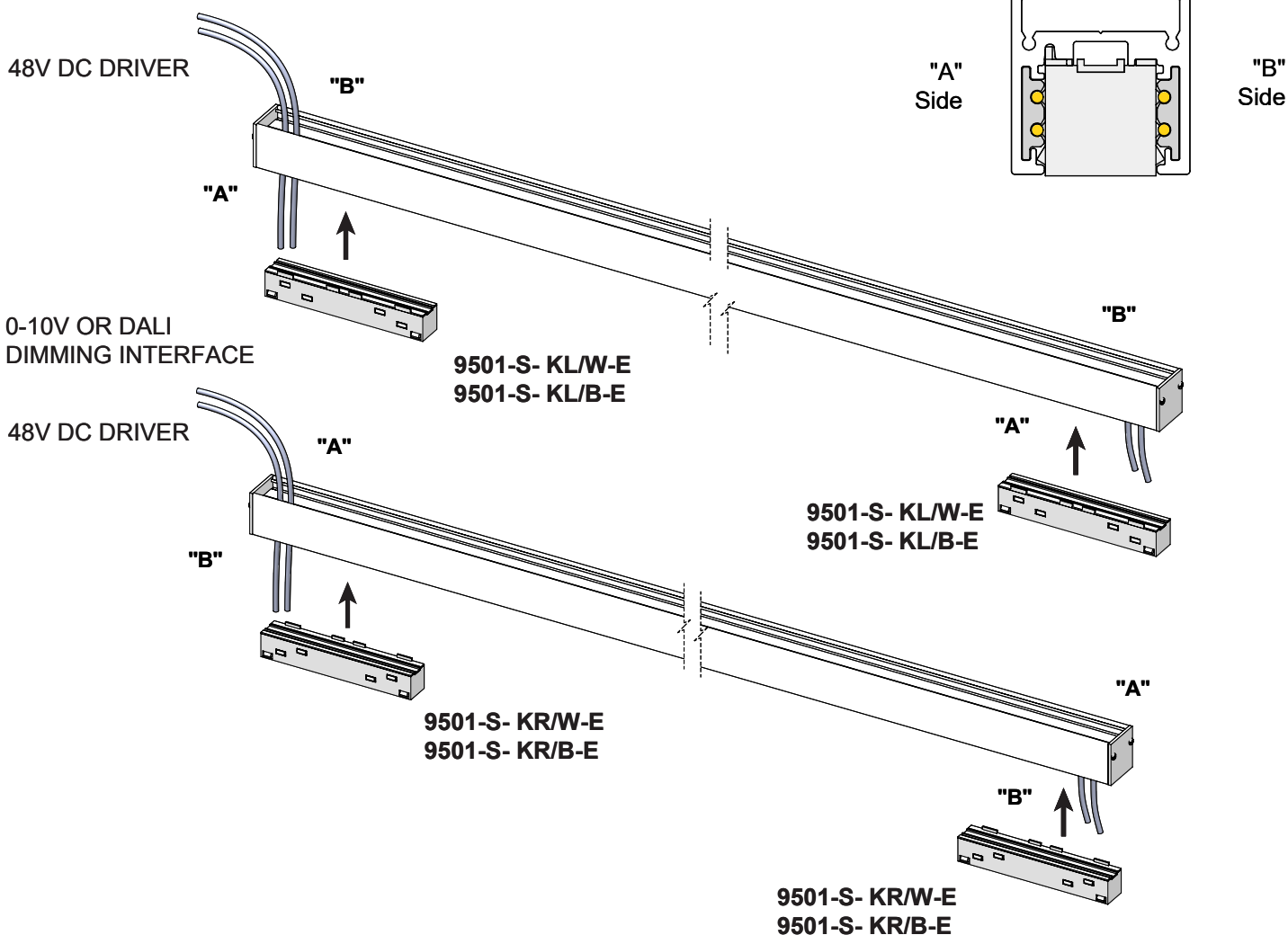
For 0-10V and Dali Hardwired direct control of the FORTYEIGHT SYSTEM fixtures, the 48V DC power and dimming control wires are connected separately to the same end feed. The Targetetti supplied drivers are used as power supplies only without dimming control. The 0-10V or Dali control is supplied to the track directly from the 0-10V or Dali Control Interface to provide dimming operation of the fixtures.

For 0-10V control, confirm that fixtures have the "10" inclusion in part numbers.

For direct Dali control, confirm that fixtures have the "DA" inclusion in the part numbers, confirm that the Track System is installed with the following drivers:

ENCLOSURE						
Part No.	Wattage	Rating	In / Out Voltage	Certification	Dimensions (Enclosure)	Description
PS062	100W	NEMA3R	120-277V / 48V	UL-SELV	6.3" x 10.79" x 2.17"	MEAN WELL HLG ELECTRONIC DRIVER MOUNTED IN UL LISTED ENCLOSURE.
PS063	150W	NEMA3R	120-277V / 48V	UL-SELV	6.3" x 10.79" x 2.17"	MEAN WELL HLG ELECTRONIC DRIVER MOUNTED IN UL LISTED ENCLOSURE.
PS064	185W	NEMA3R	120-277V / 48V	UL-SELV	6.3" x 10.79" x 2.17"	MEAN WELL HLG ELECTRONIC DRIVER MOUNTED IN UL LISTED ENCLOSURE.
PS065	240W	NEMA3R	120-277V / 48V	UL-SELV	6.3" x 10.79" x 2.17"	MEAN WELL HLG ELECTRONIC DRIVER MOUNTED IN UL LISTED ENCLOSURE.

0-10V OR DALI DIMMING INTERFACE



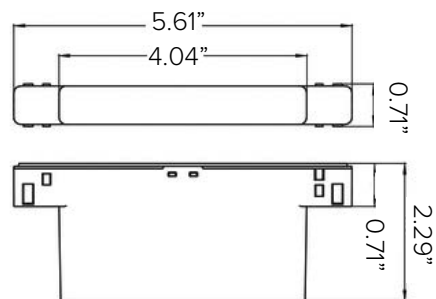
Control Compatibility Cont. Casambi Wireless Control

Casambi

The Dali version fixtures can also be controlled from Casambi Wireless Bluetooth with the addition of our APP1-M-CO Track Mounted Casambi Adapter. The 48V DC is connected to the track feed as typical, but the Casambi Wireless Adapter is attached to the track to control all fixtures on that track via the track dimming conductor connections. Fixture control can be split to up to 4 separate control group of fixtures connected to the same interface.

For Casambi Wireless System Configurations, confirm that the fixtures supplied have "DA" in the part numbers and that the Casambi Wireless Adapter is supplied for each separate track run.

INTERFACE (OPTIONAL)



Wireless bluetooth interface. Generates a local bus per run for individual fixture control for up to 96W max or 64 fixtures. Can control fixtures in indoor applications via [Casambi wireless bluetooth protocol](#). **Only to be used with Dali/Wireless Bluetooth Casambi version of FORTYEIGHT fixture range.**

Finish White Black

Part No. **APP1-M-CO-9519/W-E** **APP1-M-CO-9519/B-E**

ENCLOSURE

Part No.	Wattage	Rating	In / Out Voltage	Certification	Dimensions (Enclosure)	Description
PS062	100W	NEMA3R	120-277V / 48V	UL-SELV	6.3" x 10.79" x 2.17"	MEAN WELL HLG ELECTRONIC DRIVER MOUNTED IN UL LISTED ENCLOSURE.
PS063	150W	NEMA3R	120-277V / 48V	UL-SELV	6.3" x 10.79" x 2.17"	MEAN WELL HLG ELECTRONIC DRIVER MOUNTED IN UL LISTED ENCLOSURE.
PS064	185W	NEMA3R	120-277V / 48V	UL-SELV	6.3" x 10.79" x 2.17"	MEAN WELL HLG ELECTRONIC DRIVER MOUNTED IN UL LISTED ENCLOSURE.
PS065	240W	NEMA3R	120-277V / 48V	UL-SELV	6.3" x 10.79" x 2.17"	MEAN WELL HLG ELECTRONIC DRIVER MOUNTED IN UL LISTED ENCLOSURE.

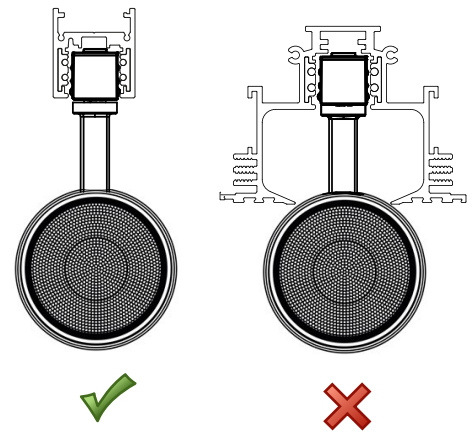
Mounting Compatibility

To install the fixture in the recessed track, The Fortyeight Label 7 must have the long bracket attachment. Short bracket fixtures will not work and will damage the fixture's track connector. With the long bracket attachment, The Fortyeight Label 7 fixtures follow the same installation instruction from page 4. Long bracket fixtures do not lose aiming adjustment installed in recessed and trimless track.

FORTYEIGHT MULTISYSTEM SURFACE/SUSPENSION TRACK shown with FORTYEIGHT LABEL 7 (S) SHORT STEM fixture version.

NOTE: (S) SHORT STEM fixture version NOT compatible with FORTYEIGHT RECESSED TRIMLESS DEEP TRACK.

9500-UL/W-ST6-E, (B-ST6-E)
9500-UL/W-ST6-E, (B-ST6-E)



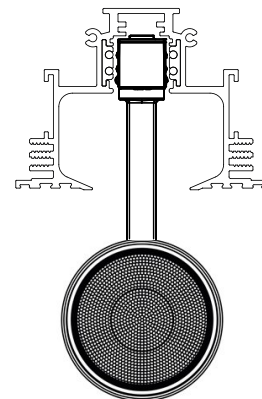
FORTYEIGHT MULTISYSTEM SURFACE/SUSPENSION TRACK shown with FORTYEIGHT LABEL 7 (L) LONG STEM fixture version.

9500-UL/W-ST6-E, (B-ST6-E)
9500-UL/W-ST6-E, (B-ST6-E)



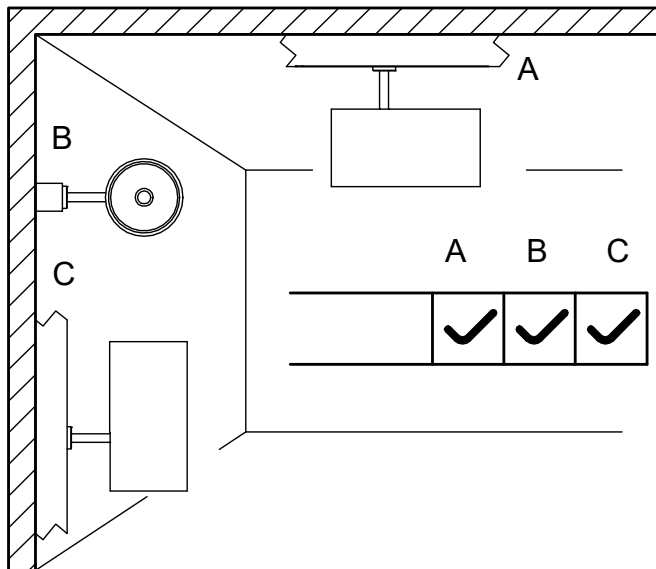
FORTYEIGHT RECESSED TRIMLESS DEEP TRACK shown with FORTYEIGHT LABEL 7 (L) LONG STEM fixture versio

9500-UL1/W2-TA1-E, (B-TA1-E)
9500-UL2/W2-TA1-E, (B-TA1-E)

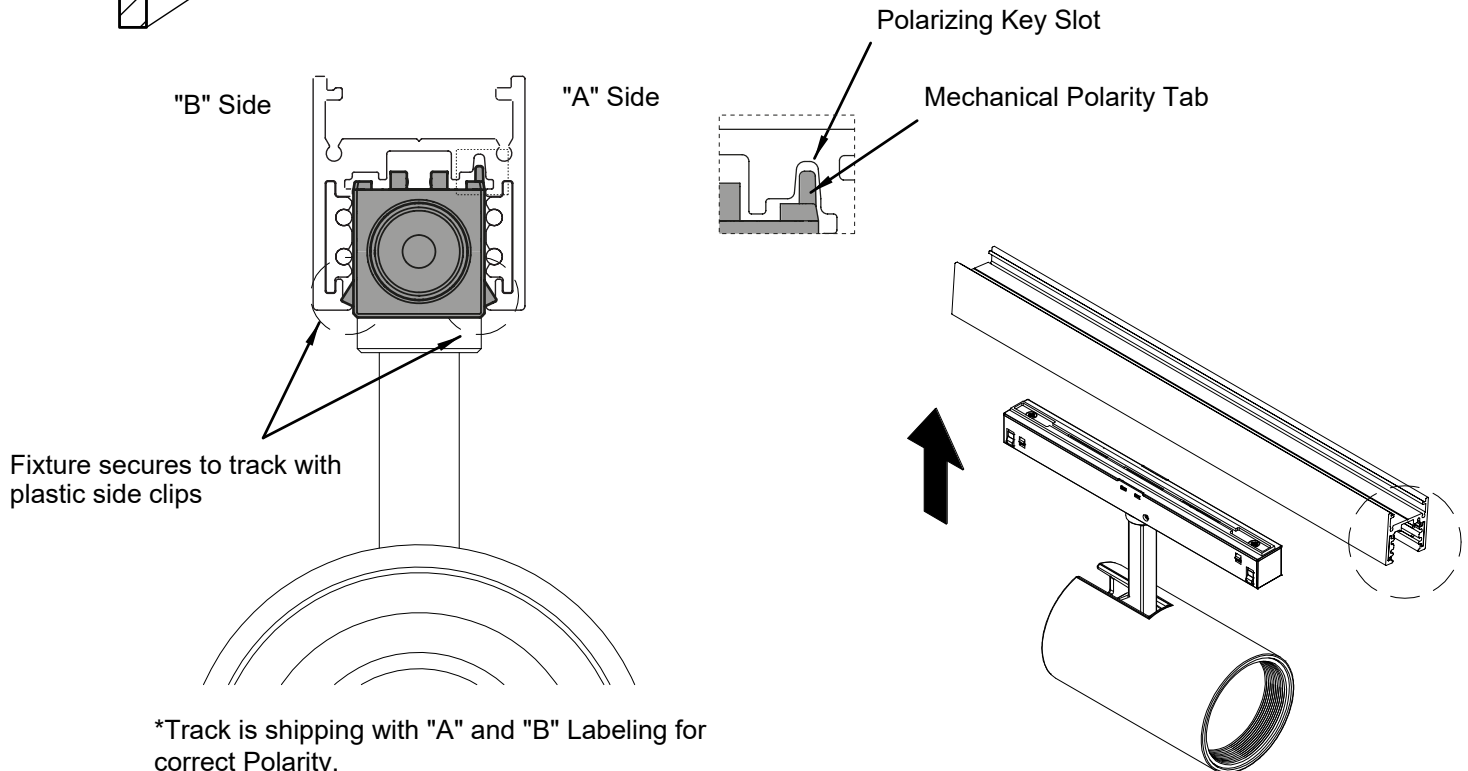


Fixture Installation Instructions

- 1) Be sure that power to track is turned off for installation and removal of fixture from track. Doing so under power will damage fixture internal drive/dimming.
- 2) The FORTYEIGHT Label 7 fixture has three different ways of installation per track layout. These three ways are ceiling mount, wall mount for horizontal lighting, and wall mount for vertical lighting. Each of these fixture's mounting styles can only be applied to Targetti's Low Voltage Track System only (see FORTYEIGHT track installation guide for more details.)
- 3) To install the fixture, simply align the fixture's track connector with the installed track, and vertically stick the track connector inside the track until you hear the track connectors snap into position with its plastic side clips. The snapping sound of the fixture locking into the track confirms that the fixture is secured on the track.



Three different Mounting Positions:
A: Ceiling Mount
B: Wall Mount with Horizontal Lighting
C: Wall Mount with Vertical Lighting

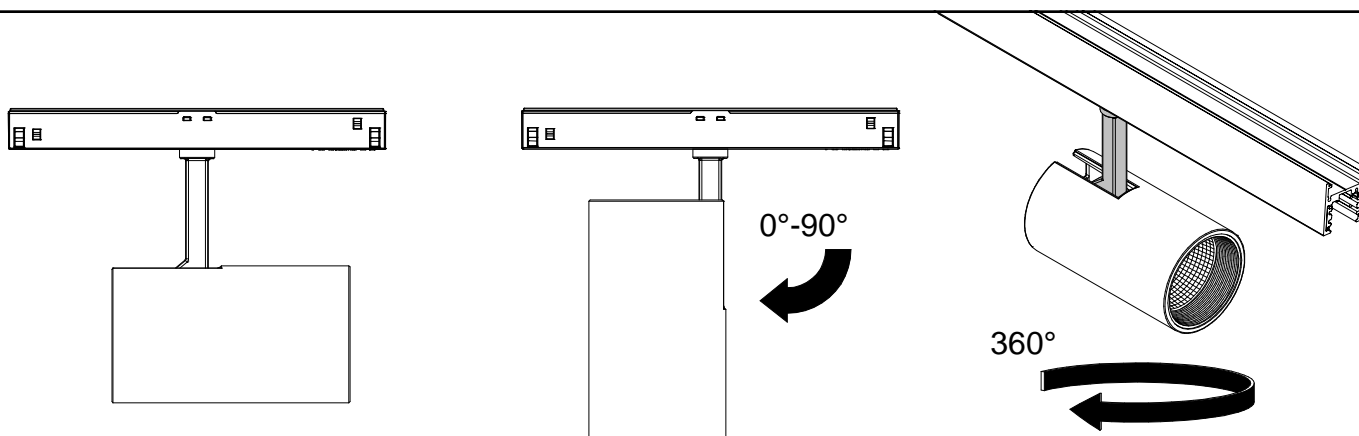


*Track is shipping with "A" and "B" Labeling for correct Polarity.
*Be sure Mechanical Polarity Tab are installed match with Polarizing Key Slot.

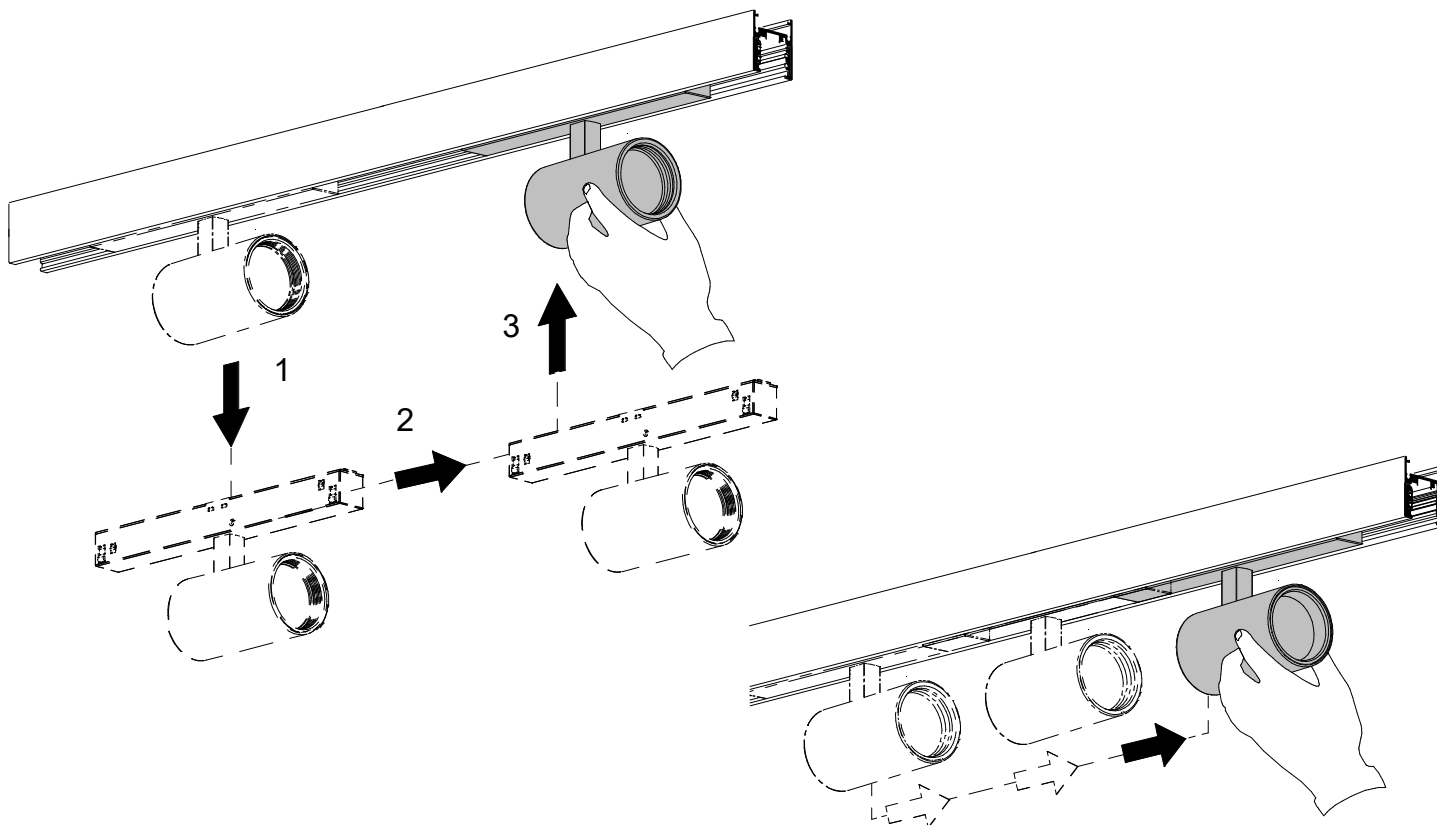
Fixture Aiming

The Fortyeight Label 7 fixtures have a wide range of motion, easy for specific directional lighting. The FORTYEIGHT Label 6 fixtures have a 0-90 degree axis on the vertical plane. For horizontal lighting angling, the FORTYEIGHT Label 6 fixtures have a 0-360 degree rotation on the horizontal plane.

To adjust the fixture's angle, we recommend that you first remove the fixture from the track. To do that, pull on the fixture's body downwards (perpendicular from the track) until the fixture's connector releases from the track. This will not damage the connector or the track as it is designed for easy attaching and removing. Once removed, you may angle it to the desired lighting direction and reattach the fixture's connector back onto the track. Be sure to secure the fixture in the track by confirming the snapping sound of the connector locking inside the track.



Fixture Positioning



Label 7 Accessory Instructions

ACCESSORIES (OPTIONAL)



'Blade of Light' linear spread lens. PMMA holographic filter.

Part No. **1T18094**



Anti-glare louver. Lacquered metal honeycomb structure. Complete with holographic diffusion filter.

Finish: Deep Black

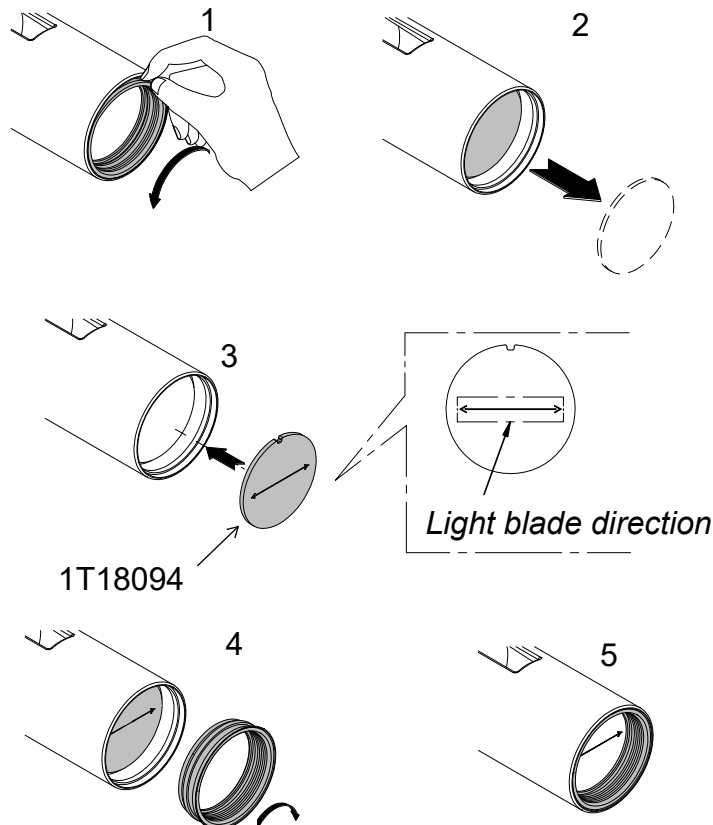
Part No. **1T18093**

The Fortyeight Label 7 fixture has the option to install either an anti-glare louver cod. 1T4322 or a blade of light lens (cod. 1T4721) in the fixture.

To attach the Holographic PMMA filter with blade effect in the fixture you must do the following:

- Remove the lock ring located the inner wall of the fixture's aperture by turning ring counter clockwise and remove clear lens.
- Insert the blade of light lens inside the back end of the lock ring. Be sure to adjust the lens spread direction based on the desired lighting area.
- Once adjusted place the lock ring back into the fixture and turn ring clockwise into place to secure. Be sure to keep Holographic PMMA filter with blade effect in position during this last step.

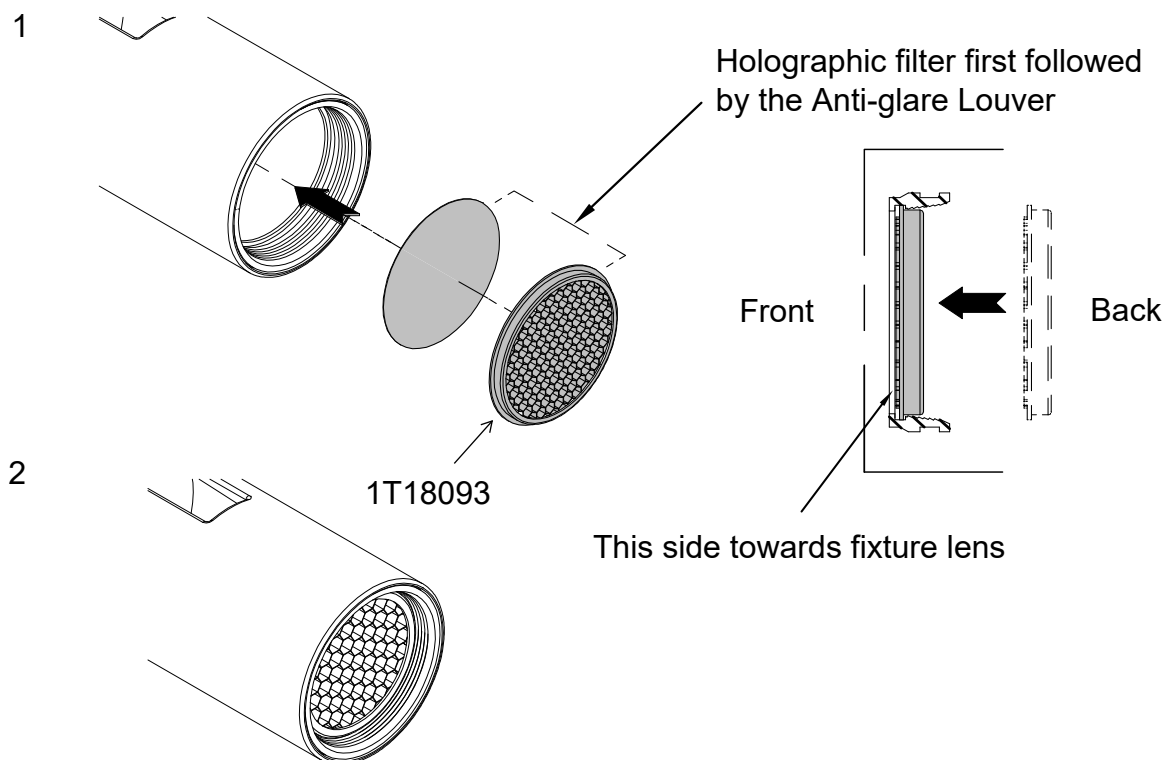
Blade of light



Label 7 Accessory Instructions Cont

- **To attach the Anti-glare Louver on the fixture you must do the following:**
 - Do not remove the lock ring located the inner wall of the fixture's aperture. Just insert the louver inside to the back end of the lock ring. Be sure to secure the edge of the louver ring inside the threading of the lock ring.

Anti-glare Louver



Maintenance

This fixture was designed and manufactured for a durable, long lasting use with minimum care. To ensure the maximum lifespan of this product, we encourage our customers to provide a quality visual inspection of the fixture and installation accessories every six months.

If there are any visible signs of issues (i.e moisture or dust) during the inspection, please clean any of the dust or moisture with a soft cloth and check to make sure that any of the fixtures are still operating normally. If there are any issues regarding the fixture, please contact us as we will assist the situation at hand.

Support

Any questions, problems, or comments you have please feel free to contact our Customer Service department during our business hours Monday-Friday 8am-5pm via: Email: usaorders@targetti.com
Phone: (714) 513-1991

Visit our website: <http://www.targettiusa.com>