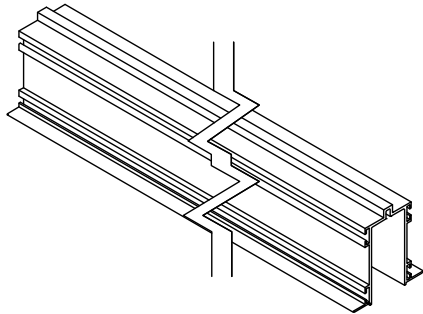
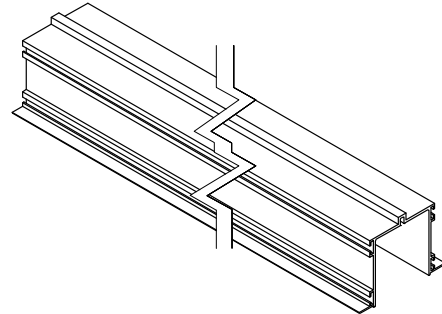


## PROFILE OZ Recessed

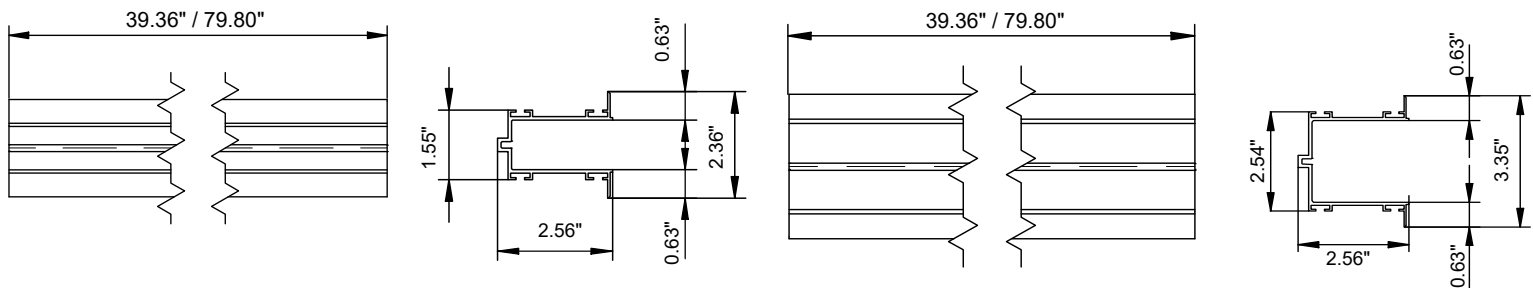


CODE 1T7031 3 ft. White 1" Profile  
 CODE 1T7032 6 ft. White 1" Profile  
 CODE 1T7034 3 ft. Black 1" Profile  
 CODE 1T7035 6 ft. Black 1" Profile



CODE 1T7067 3 ft. White 2" Profile  
 CODE 1T7068 6 ft. White 2" Profile  
 CODE 1T7070 3 ft. Black 2" Profile  
 CODE 1T7071 6 ft. Black 2" Profile

### 1" and 2" Recessed Mounting Profiles



### Recessed Mounting Accessories

#### End Cap CODE

	1"	1T7039 White
	1"	1T7040 Black
	2"	1T7073 White
	2"	1T7074 Black

#### Mounting Bracket CODE

	1"	1T7076
	2"	1T7043

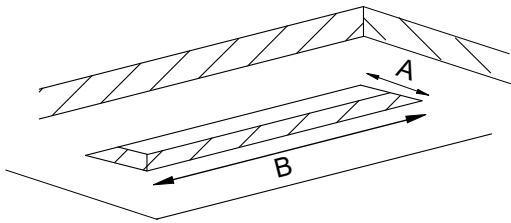
2 ea. per 39.36" Profile  
 3 ea. per 79.80" Profile

#### L-Joint Bracket CODE

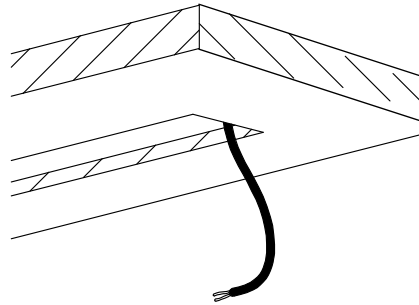
	1"	1T7037 White
	1"	1T7038 Black
	2"	1T7437 White
	2"	1T7438 Black

# 1" and 2" Recessed Profile Installation

## Stand Alone



The installer will need to cut an aperture on the ceiling or wall where the profile and power rails will be installed depending on the profile specified



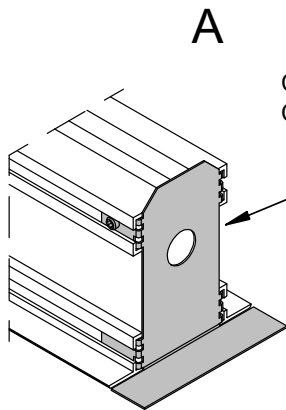
Lead cable for power feed connector

## Aperture Dimensions

1" Profile	A - Width	B - Length
39.36" Aperture	1.61"	39.42"
79.80" Aperture	1.61"	78.86"

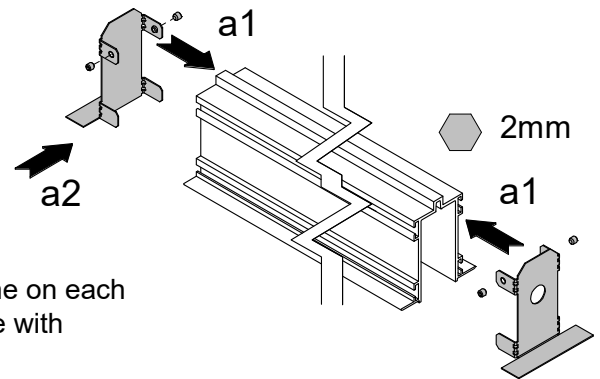
2" Profile	A - Width	B - Length
39.36" Aperture	2.60"	39.42"
79.80" Aperture	2.60"	78.86"

# 1" and 2" Recessed Profile Installation



**Small**  
CODE 1T7039  
CODE 1T7040

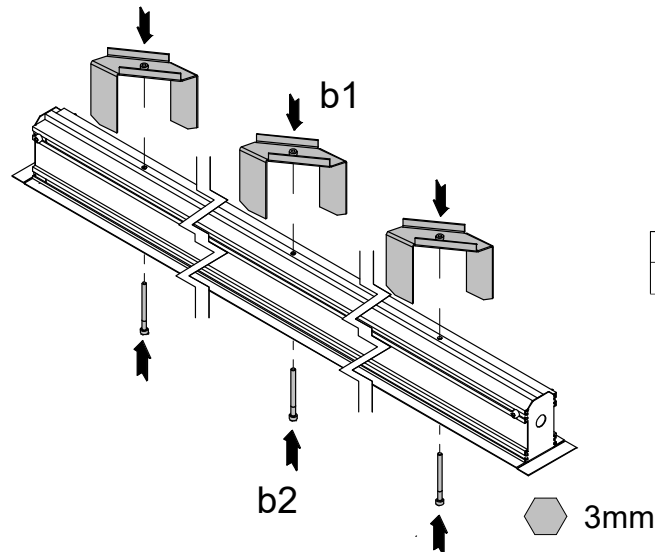
**Large**  
CODE 1T7073  
CODE 1T7074



Attach 2 ea. end caps one on each side of profile and secure with provided screws.

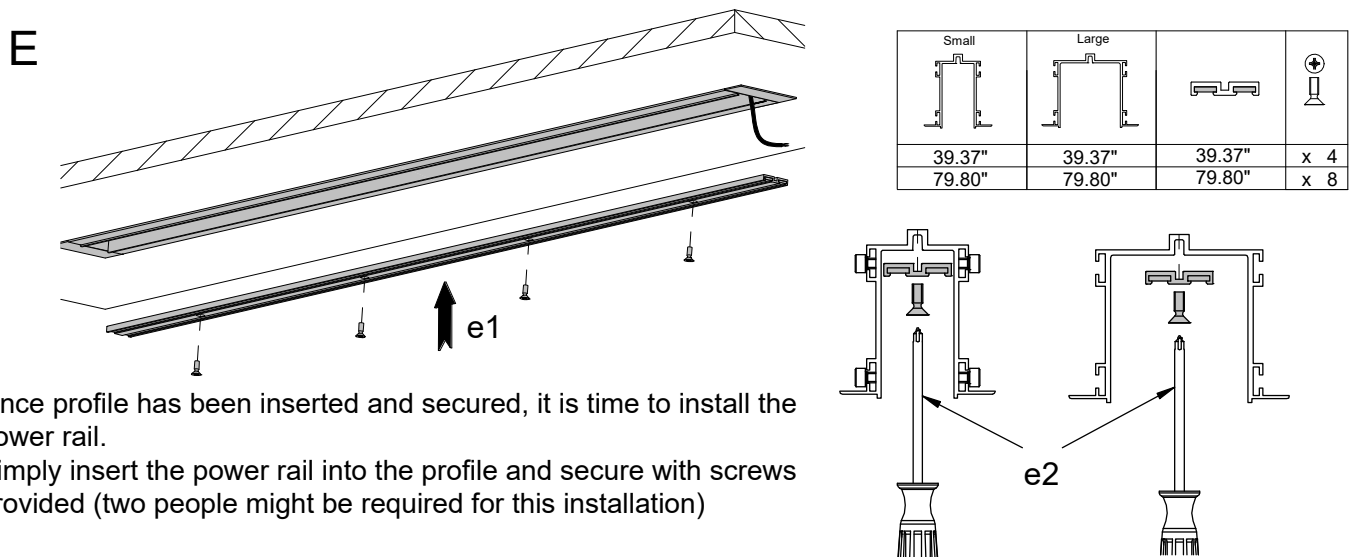
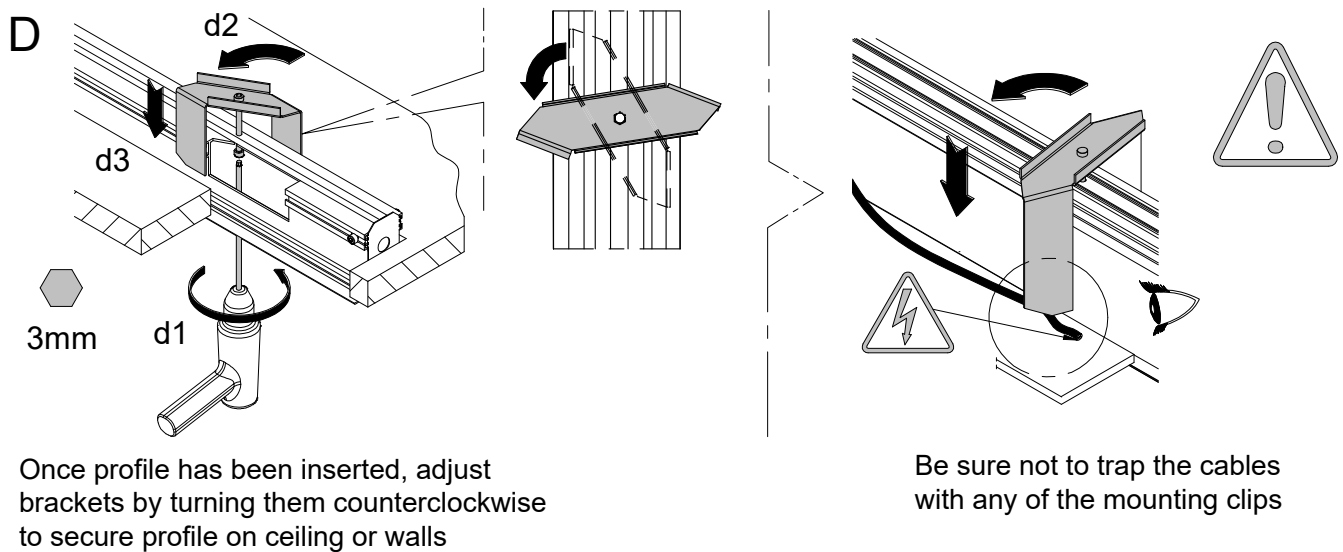
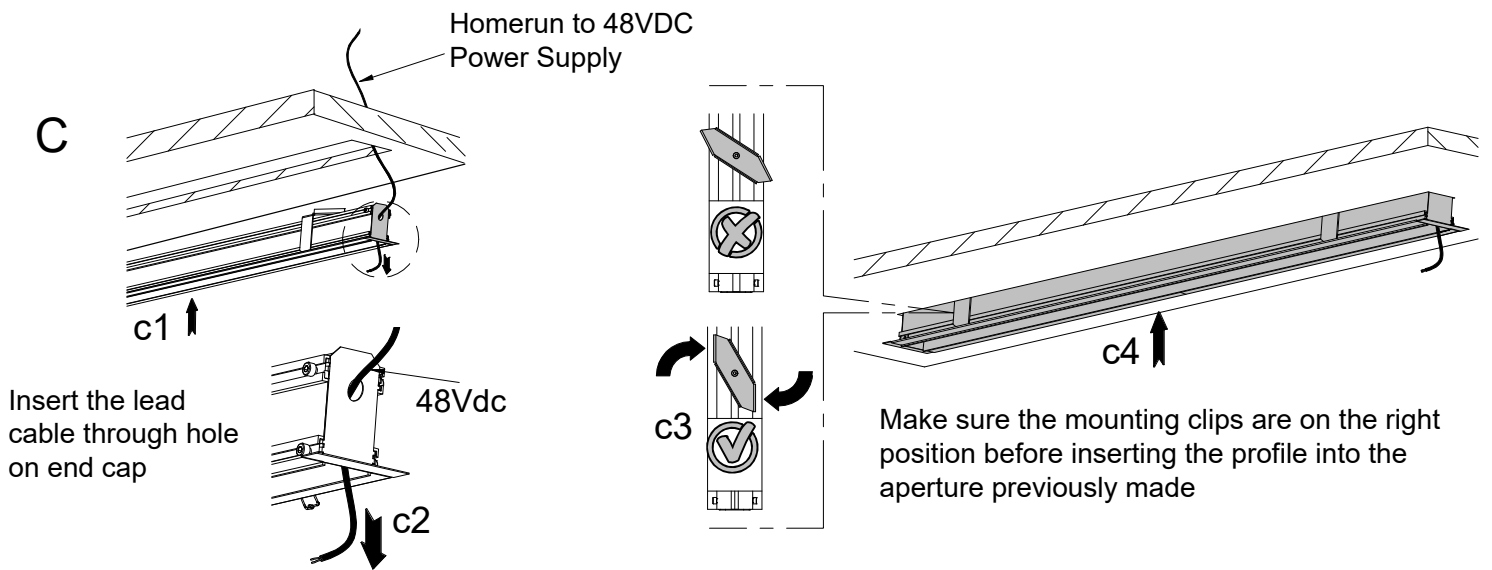
## B

Attach mounting clips on back side of profile and secure with provided screws (do not tighten the screws)



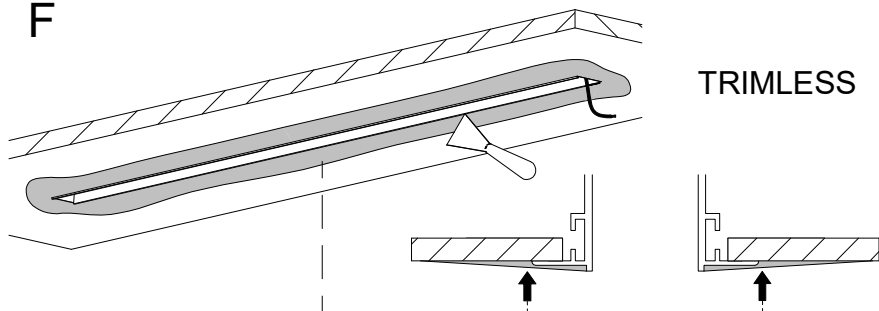
39.37"	x 2	x 2
79.80"	x 3	x 3

# 1" and 2" Recessed Profile Installation Cont.



# 1" and 2" Recessed Profile Installation Cont.

F

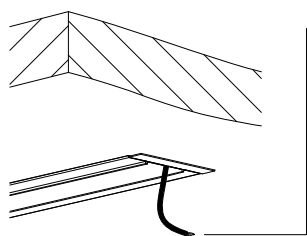


TRIMLESS

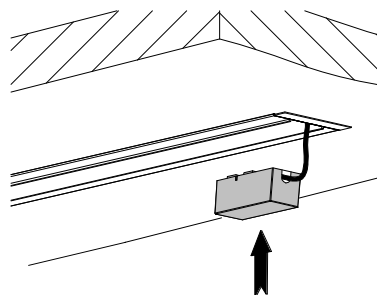
The finishing of the ceiling and or walls can begin after profile has been secured, simply apply drywall mud compound and paint.

G

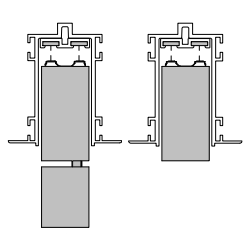
Connect feed connector onto 48VDC lead cable



CODE 1T7024  
CODE 1T7025  
CODE 1T9604DD  
CODE 1T9626DD



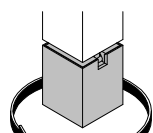
Feed connectors with part number 1T7024 and 1T7025 are only compatible with wireless dimming control OZ fixtures. Feed connectors with part number 1T9604DD and 1T9626DD are only compatible with Digital Dimming OZ fixtures.



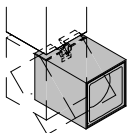
Attach the magnetic power feed onto the power rail inside the profile

Lead cable should be inserted and connected onto the power feed connector from the end side

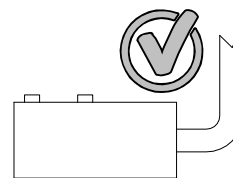
ADJUSTABLE



+/- 360°

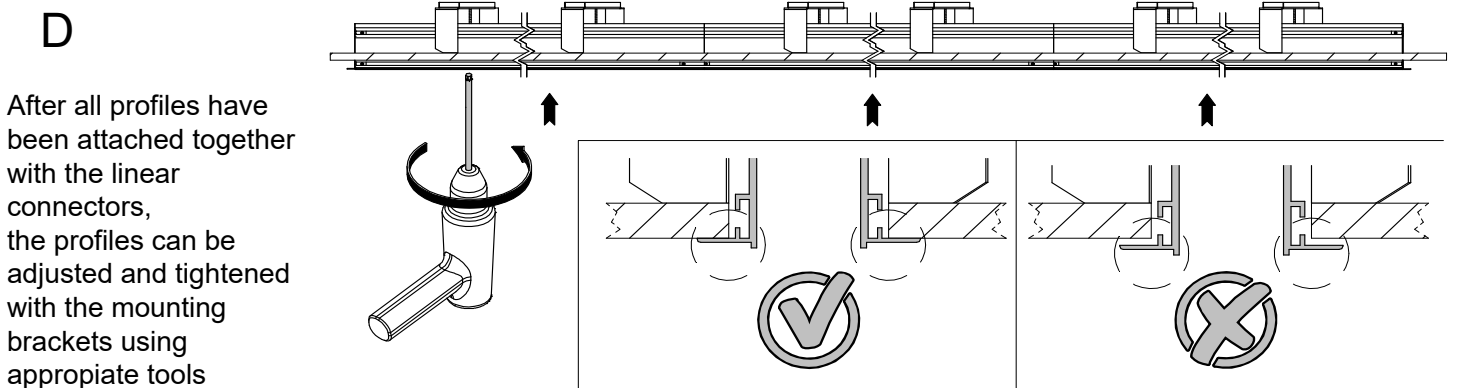
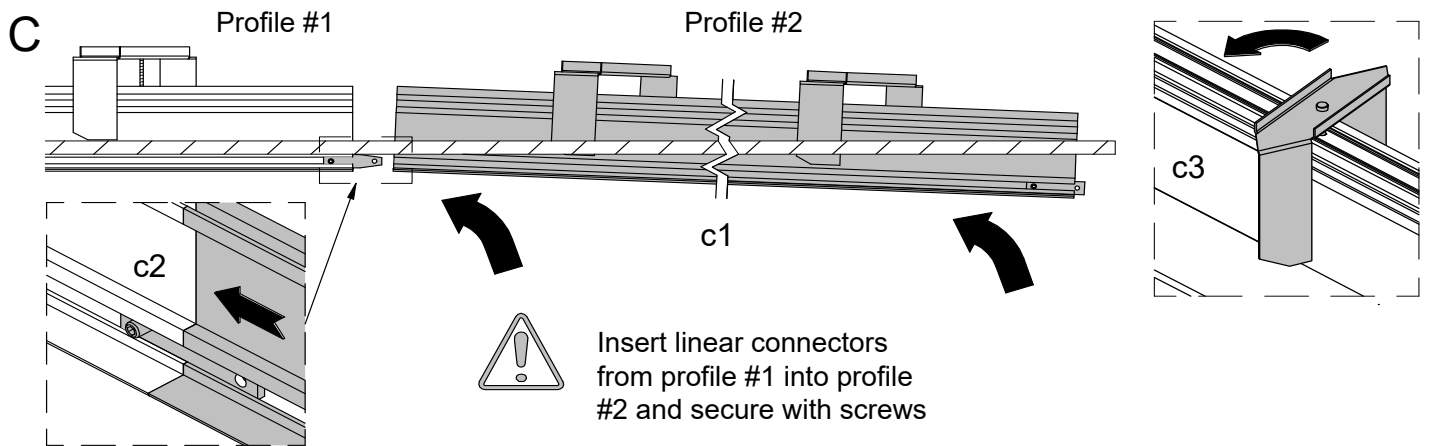
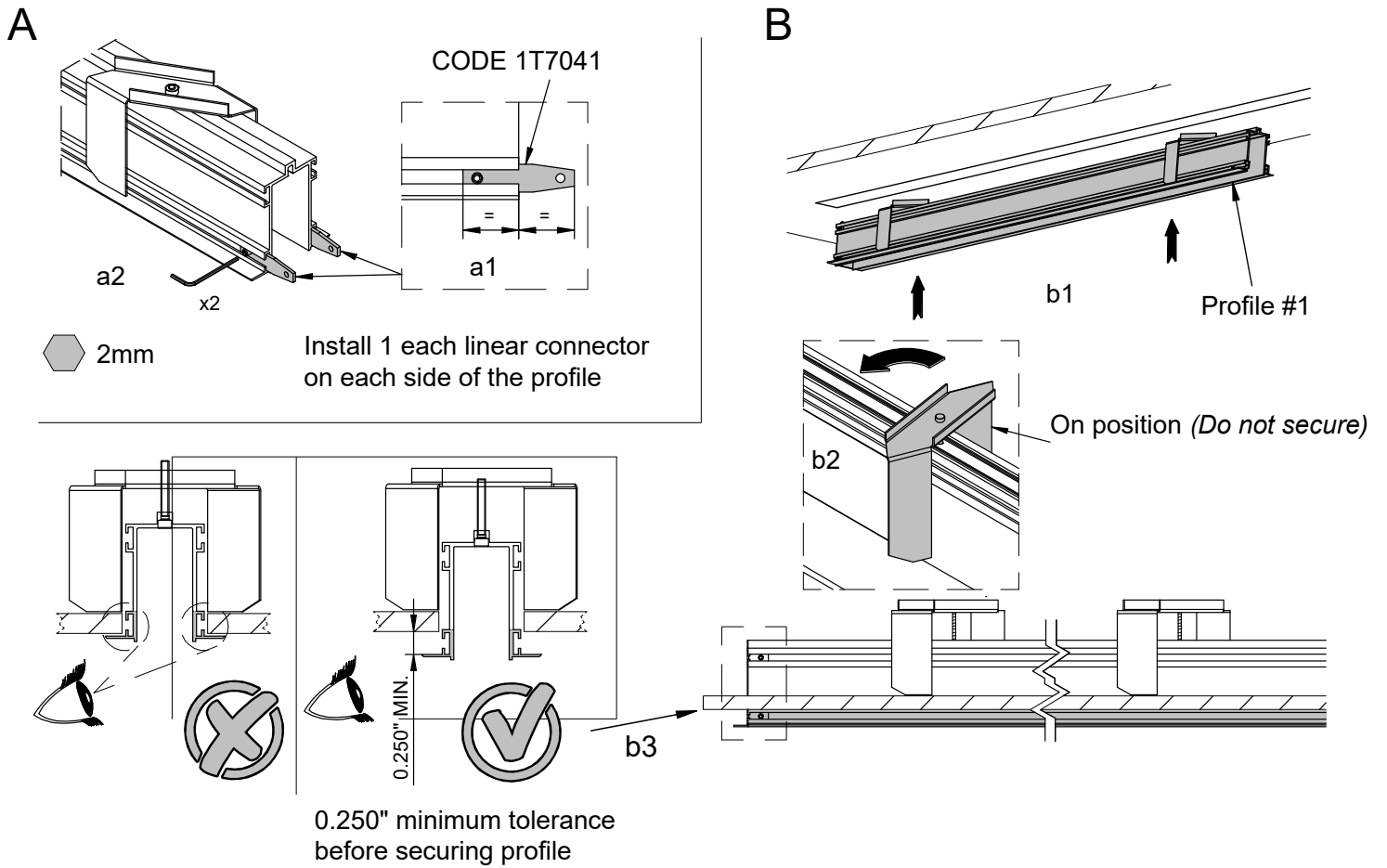


0° + 90°



CODES 1T7024, 1T7025 (for wireless dimming)  
1T9604DD, 1T9626DD (for digital dimming)

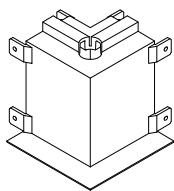
# Linear Connector for Recessed Profile Installation



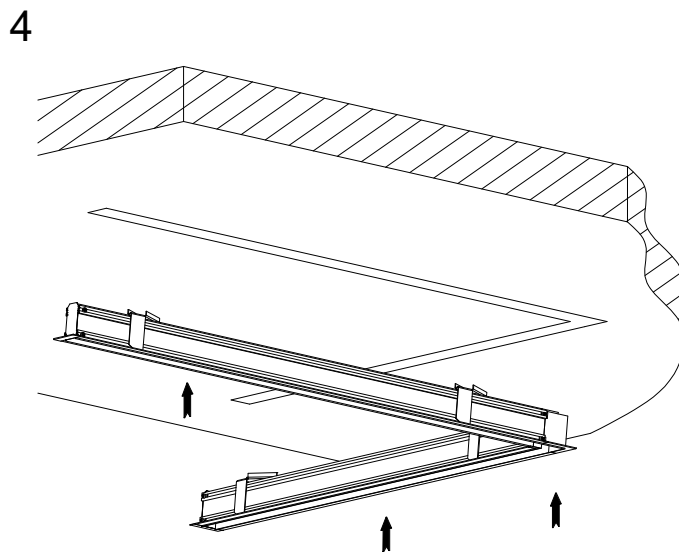
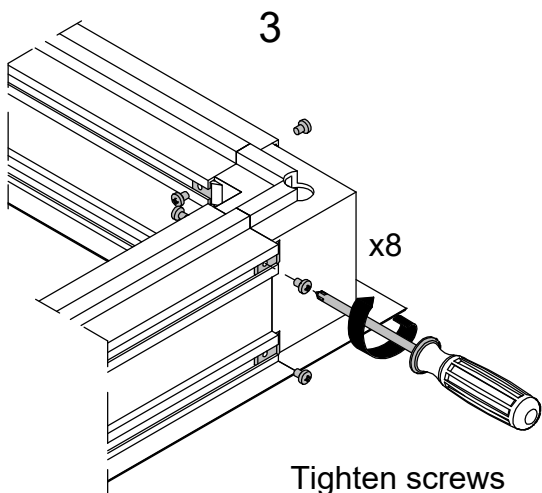
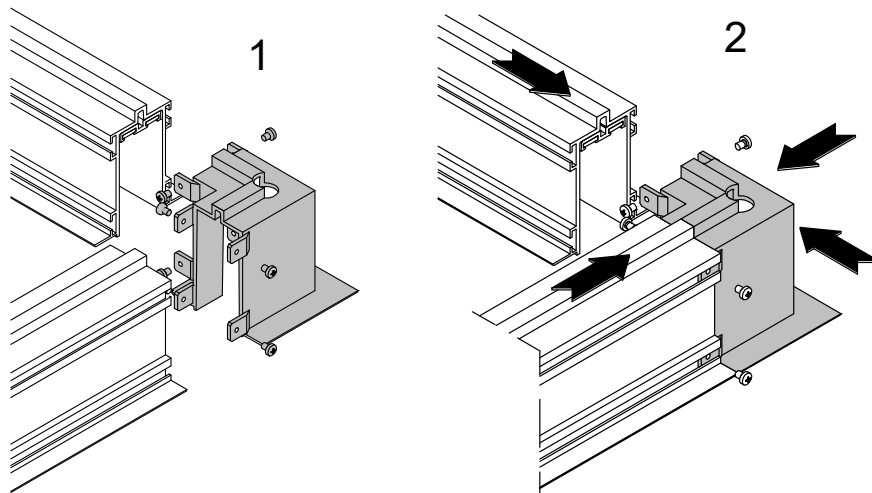
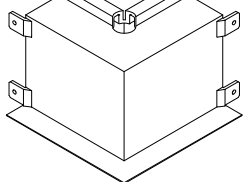
# L Connector for Recessed Installation

Insert the L profile connector into profile #1 and profile #2 then secure with screws

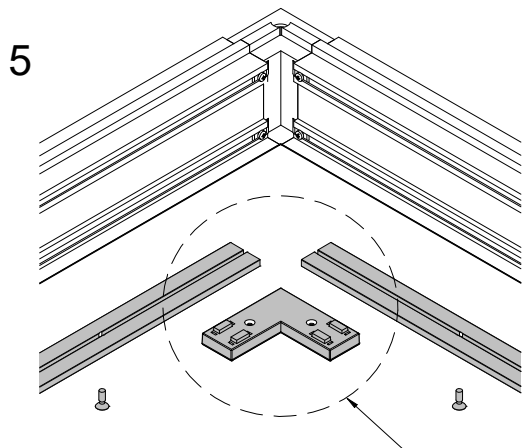
COD. 1T7037  
COD. 1T7038



COD. 1T7437  
COD. 1T7438



Insert L profile configuration into aperture on ceiling or wall



Insert power rail into profile system and secure with screws

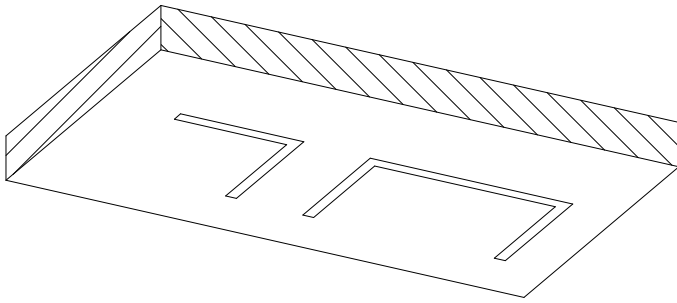
Magnetic track L connector

□ 1T7017

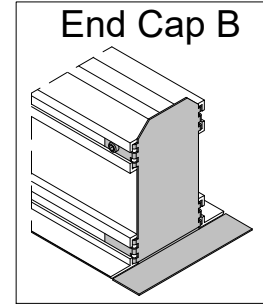
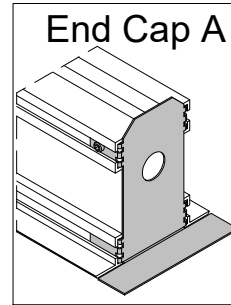
■ 1T7021

# Systems Installation

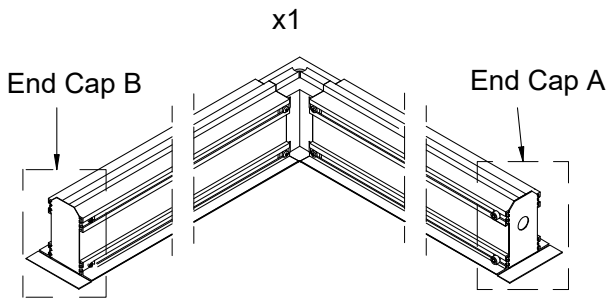
## L connector configurations



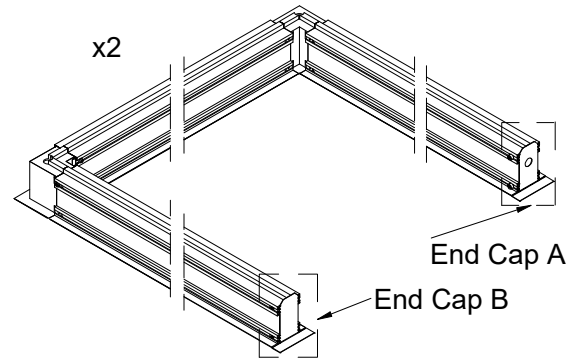
## End cap A with hole for power lead cable



### TYPE A



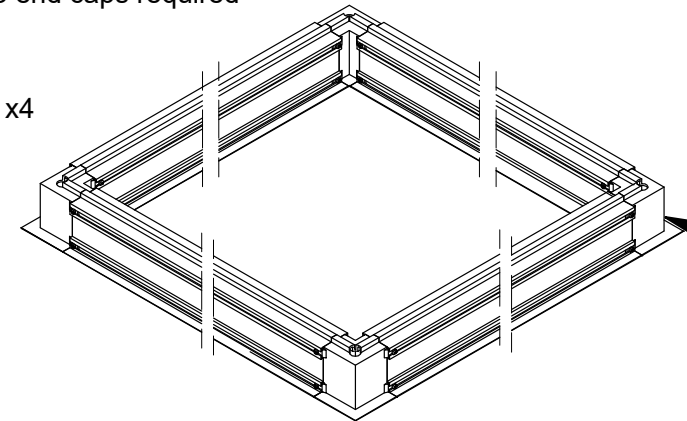
### TYPE B



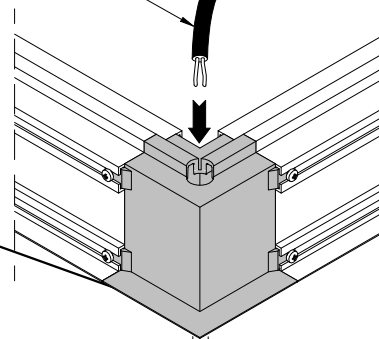
### TYPE C

## Square / Rectangle Configurations

No end caps required\*

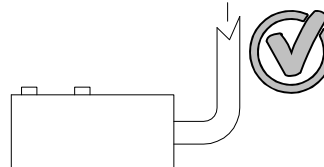


48V Lead Cable



Lead cable should be inserted and connected onto the power feed connector from the end side

L Connectors feature 1 hole on the top side for power feed cable when using 4 each L corner connectors



CODES 1T7024, 1T7025 (for wireless dimming)  
CODES 1T9604DD, 1T9526DD (for digital dimming)