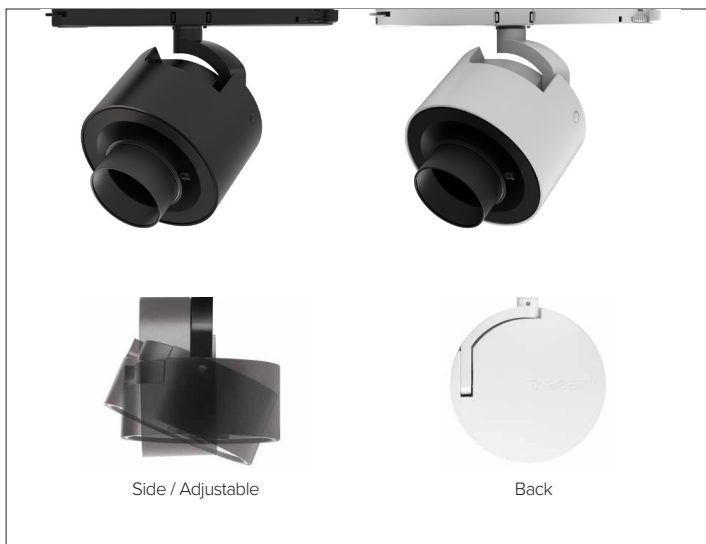
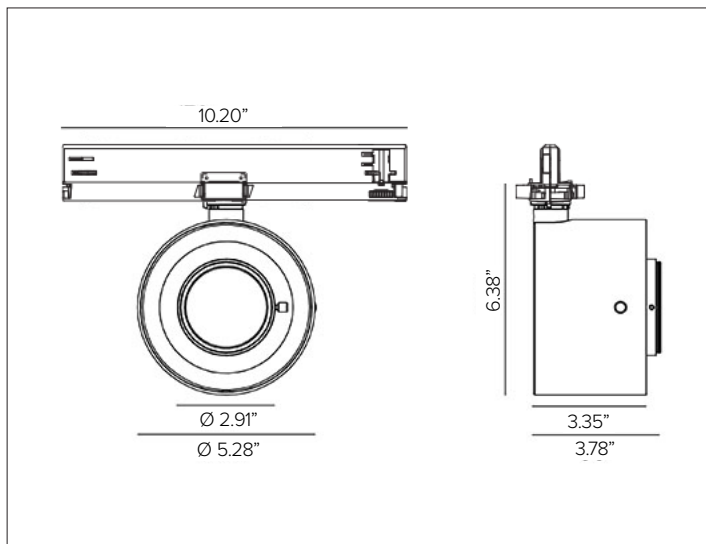


# ZENO MEDIUM ZOOM

## Professional Track Projector



Left to right: ZENO MEDIUM ZOOM shown in Deep Black finish; ZENO MEDIUM shown in Plaster White finish.



### CONCEPT

Professional LED track projector with manual variable light beam control.

### MECHANICAL CHARACTERISTICS

<b>Dimensions</b>	5.28" Dia.
<b>Materials</b>	Die cast aluminum finished body.
<b>Finish</b>	● Plaster White ● Deep Black
<b>Functionality</b>	Manually adjustable ZOOM variable beam optical system from SP to FL. Fixture can be vertically adjusted from 0° to -90° and horizontally up to 350° with secure aim locking system.
<b>Mounting</b>	<a href="#">EUROSTANDARD PLUS Track</a> , sold separately. The fixture can be vertically adjusted from 0° to 90° and horizontally up to 355° with secure locking.
<b>Weight</b>	3.00lbs
<b>Protection</b>	IP20

### CERTIFICATIONS

cULus Listed.  
 Tested in accordance with LM-79-08.  
 Compliant with California energy regulations.  
 RoHS3 EU 215/863

### WARRANTY

5 year limited warranty.

### SUSTAINABILITY

Luminaire designed for disposal/recycling at end-of-life. Replaceable LED light source and control gear by a Targetti technician.

### ELECTRICAL CHARACTERISTICS

<b>Power Supply</b>	Integral electronic driver.
<b>Wattage</b>	28W
<b>Voltage</b>	120V AC 50/60Hz
<b>Control</b>	0-10V control. Consult factory for bluetooth wireless Casambi control.
<b>Ambient Temp.</b>	0°C / +25°C (77°F)

### SOURCE

High efficiency LED Chip on Board.

TM30	CCT (Nominal)	CRI	Rf	Rg	SDCM
	2700K	90	94	102	2
	3000K	90	92	101	2
	3500K	90	93	99	2
	4000K	90	90	98	2

*Ra97 available upon request*

### OPTIC

Telescopic optic holder comprised of anti-reflective anodized aluminum, black finish. Optical glass lens, internal reflector in specular anodized aluminum with high reflectance, PMMA front diffuser. Tool-free adjustment with safety system for the variable tube.



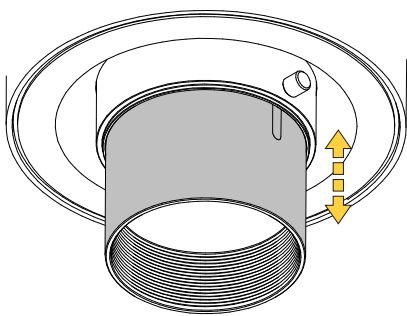
<b>Beam</b>	<b>ZOOM</b> 11" – 31°	
<b>Delivered Lumens</b>	<b>3000K</b>	525Lm – 1,187Lm
	<b>4000K</b>	557Lm – 1,259Lm
	<i>For 2700K lumen values use multiplier of 0.96 from 3000K. For 3500K lumen values use multiplier of 1.01 from 3000K.</i>	
<b>Efficacy</b>	Up to 44Lm/W	
<b>Lifetime</b>	L96/B10 >30,000hrs at max TA +25°C L93/B10 >50,000hrs at max TA +25°C L90/B10 >80,000hrs at max TA +25°C L87/B10 >100,000hrs at max TA +25°C	
<b>Photobiological Classification</b>	Low risk photobiological safety RG1	

# ZENO MEDIUM ZOOM

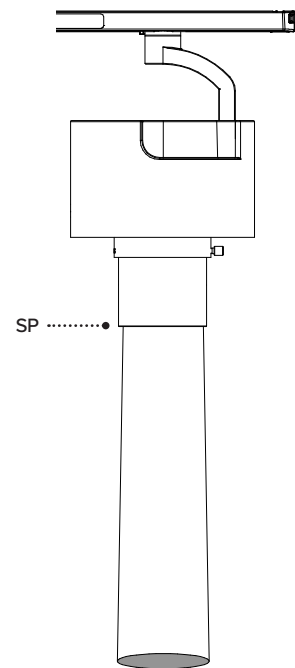
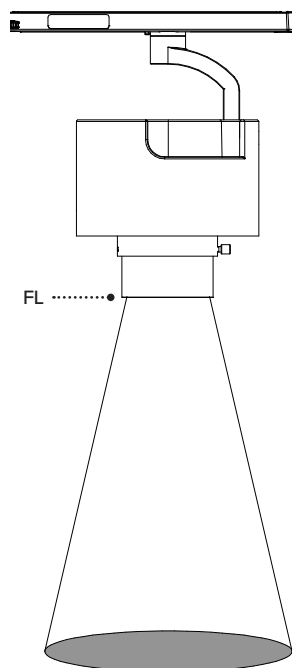
## SPECIFICATION INFORMATION

ZEO						
1	2	3	4	5	6	7
Ex: ZOM41PWZML230						
<b>REQUIRED</b>						
1 - PRODUCT CODE	2 - DRIVER	3 - FINISH	4 - OPTICS	5 - WATTAGE	6 - KELVIN	7 - TRACK
ZOM — ZENO MEDIUM	10 — 0-10V	PW — Plaster White DB — Deep Black	ZM — Zoom	L2 — 28W	27 — 2700K 30 — 3000K 35 — 3500K 40 — 4000K	<b>REQUIRED</b> See <a href="#">EUROSTANDARD PLUS TRACK</a> spec sheet for specification information.

## OPTIC SYSTEM



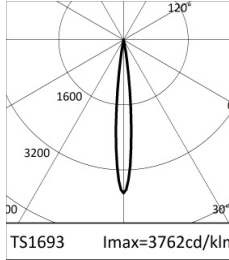
The Zoom optical system allows variation of the beam opening by manually moving the optical chamber.



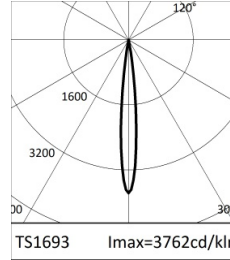
# ZENO MEDIUM ZOOM

## PHOTOMETRY

### SPOT

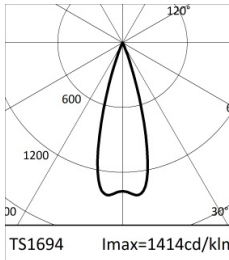


3000K		H(m)	D(m)	E <sub>max</sub> (lx)		
Ra90				11°		
Fixture Power	29W	1	0.20	12090		
Source Flux	3214lm	2	0.39	3023		
Fixture Flux	525lm	3	0.59	1343		
Efficacy	18lm/W	4	0.79	756		
TS1693	I <sub>max</sub> =3762cd/klm	I <sub>max</sub>	12090cd	5	0.99	484



4000K		H(m)	D(m)	E <sub>max</sub> (lx)		
Ra90				11°		
Fixture Power	29W	1	0.20	12824		
Source Flux	3409lm	2	0.39	3206		
Fixture Flux	557lm	3	0.59	1425		
Efficacy	20lm/W	4	0.79	801		
TS1693	I <sub>max</sub> =3762cd/klm	I <sub>max</sub>	12824cd	5	0.99	513

### FLOOD



3000K		H(m)	D(m)	E <sub>max</sub> (lx)		
Ra90				31°		
Fixture Power	29W	1	0.55	4491		
Source Flux	3214lm	2	1.10	1123		
Fixture Flux	1187lm	3	1.66	499		
Efficacy	42lm/W	4	2.21	281		
TS1694	I <sub>max</sub> =1414cd/klm	I <sub>max</sub>	4545cd	5	2.76	180



4000K		H(m)	D(m)	E <sub>max</sub> (lx)		
Ra90				31°		
Fixture Power	29W	1	0.55	4763		
Source Flux	3409lm	2	1.10	1191		
Fixture Flux	1259lm	3	1.66	529		
Efficacy	44lm/W	4	2.21	298		
TS1694	I <sub>max</sub> =1414cd/klm	I <sub>max</sub>	4820cd	5	2.76	191