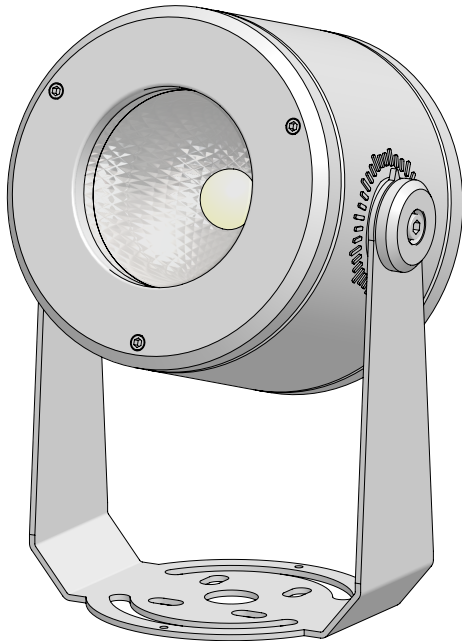




DART ROUND SMALL REMOTE DASRP-

COMPACT PROFESSIONAL ADJUSTTABLE FLOODLIGHT



If in doubt about the symbols refer to catalog or website

WARNING

Remote Class II electronic power supply will power the fixture with low voltage. **DO NOT CONNECT FIXTURE TO LINE VOLTAGE. FAILURE TO COMPLY WILL RESULT IN VOID OF WARRANTY.** See Fixture Connection (page 3) for more information.

To ensure a maximum efficient use of the product, read the instructions before proceeding installation.



This fixture must be installed by a licensed and qualified electrician. The installer must comply with NEC and local building codes when installing the fixture.



Electrical current can cause painful shock, serious injury, or even death. Make sure you turn off the power supply, ground fixture(s), and make sure all electrical connections are correct and secured tightly.



For use in IP66 installations.



Keep the label of the original packaging if any eventual future claims are needed

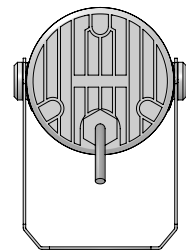
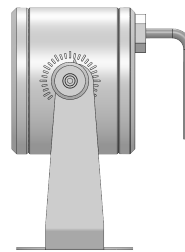
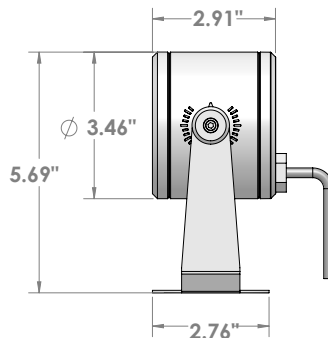
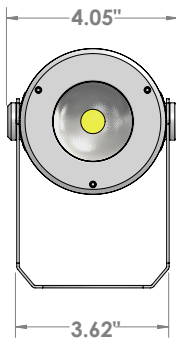
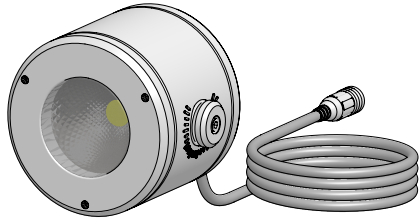


Table of Contents

Packaging Contents	Pg.2
Mounting Bracket Installation	Pg.3
Mounting Accessories	Pg.4-9
External Optical Accessories	Pg.10-15
Electrical Roughin / Wiring Diagram	Pg.16-18
Maintenance / Support	Pg.19

Packaging Contents

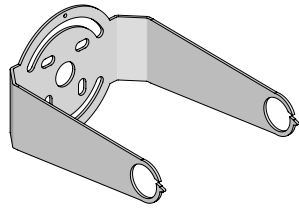


DART SMALL REMOTE FIXTURE 1 ea.

25' Belden Direct Burial
18ga 2 Conductor Cable
(attached on fixture)



BOX 8" x 8" x 8" @ 1.50lbs

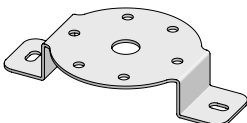
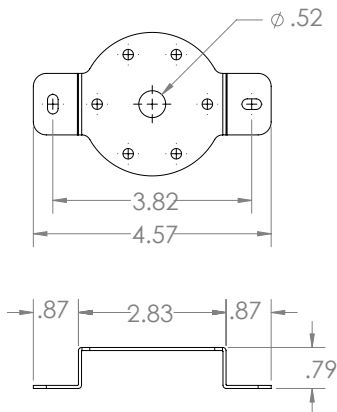


MOUNTING BRACKET 1 ea.

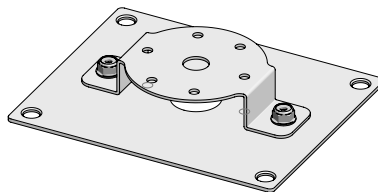
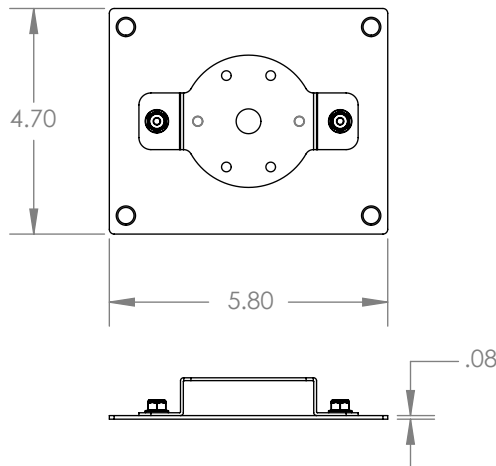
● Ferrite Dark Grey (*Default*) ● Heritage Brown (**HB**)* ● Bronze (**BZ**)* ● White (**WT**)* ● Black (**BT**)* ● Sandstone Grey (**SG**)*

Confirm Specified Mounting (Sold Separately)

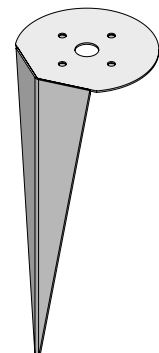
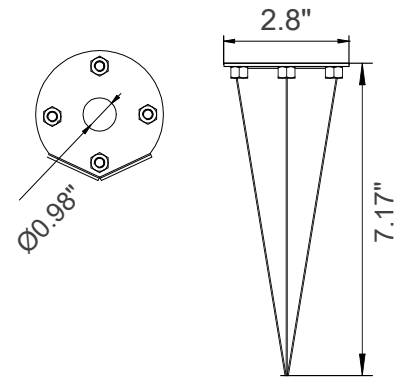
1E3015(*)
Rotation Bracket



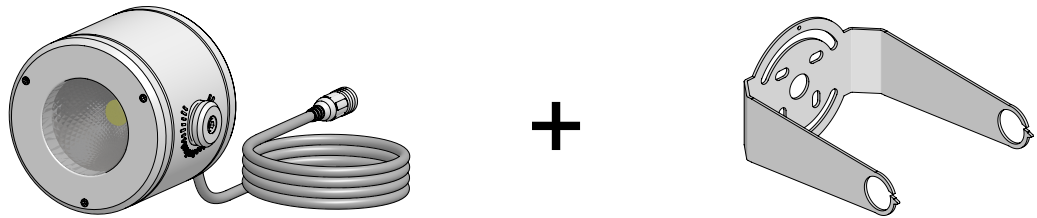
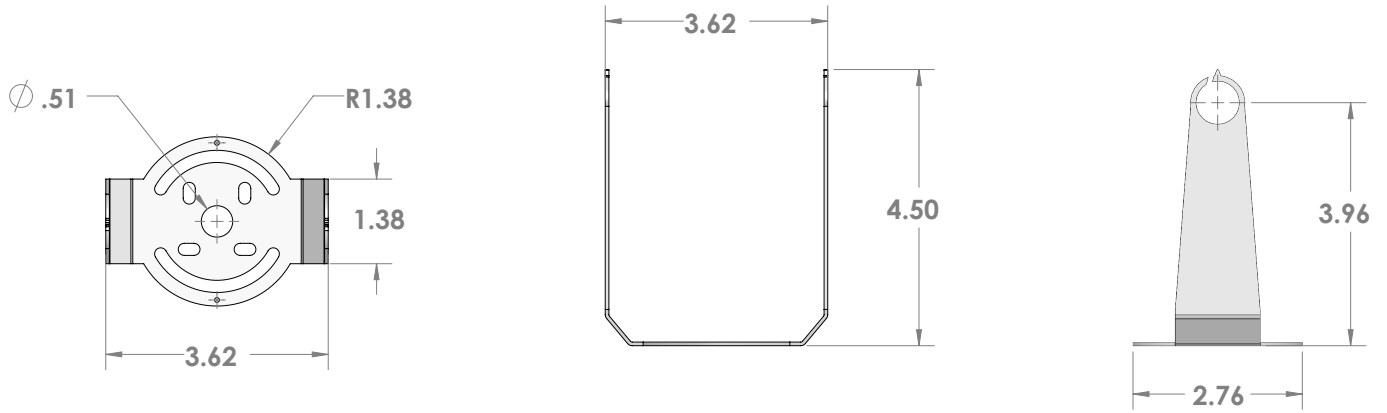
1US3015(*)
Back Plate



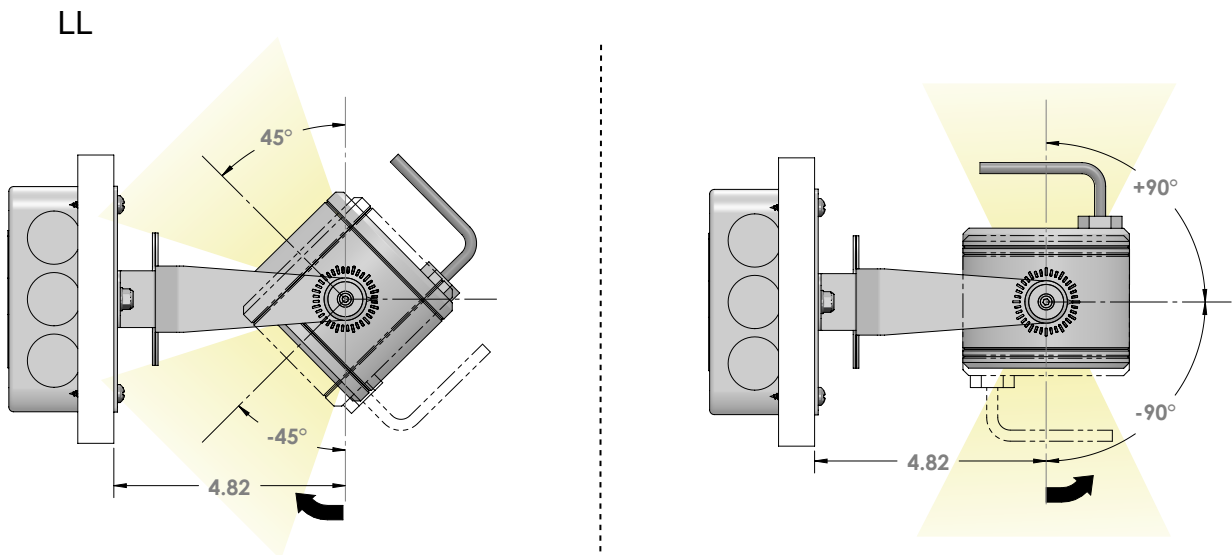
1E3016(*)
Earth Spike



Mounting Installation



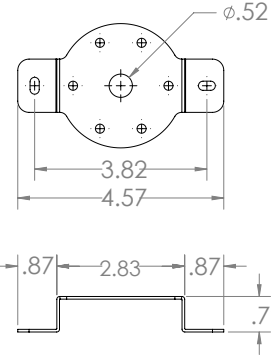
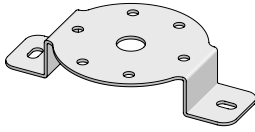
WALL MOUNTED OPTIONS



Mounting Accessories

Mounting Accessories (Optional)

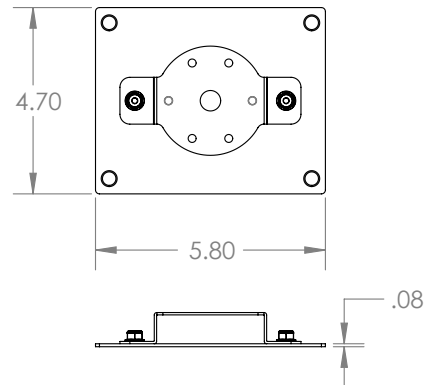
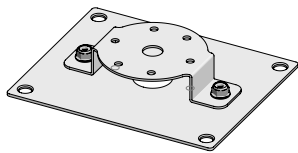
Maximum of one accessory per fixture



Rotational bracket for surface installation. Powder coated stainless steel.

Part No. **1E3015**(*)

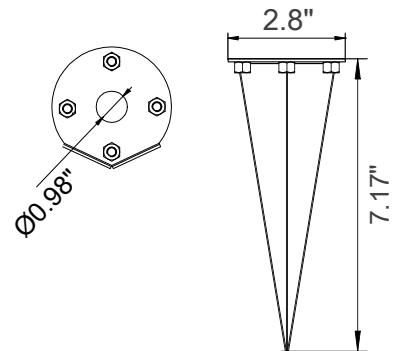
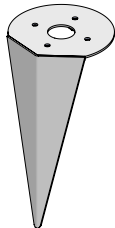
- Ferrite Dark Grey (Default)
- Heritage Brown (HB)*
- Bronze (BZ)*
- White (WT)*
- Black (BT)*
- Sandstone Grey (SG)*



Back plate with rotational bracket for recessed wall J-Box installation. Powder coated stainless steel with Neoprene black foam. Includes 1E3026 and factory attached Stainless Steel black oxide bolts and locking nuts.

Part No. **1US3015** (*)

- Ferrite Dark Grey (Default)
- Heritage Brown (HB)*
- Bronze (BZ)*
- White (WT)*
- Black (BT)*
- Sandstone Grey (SG)*



Earth spike. Powder coated stainless steel.

Part No. **1E3016** (*)

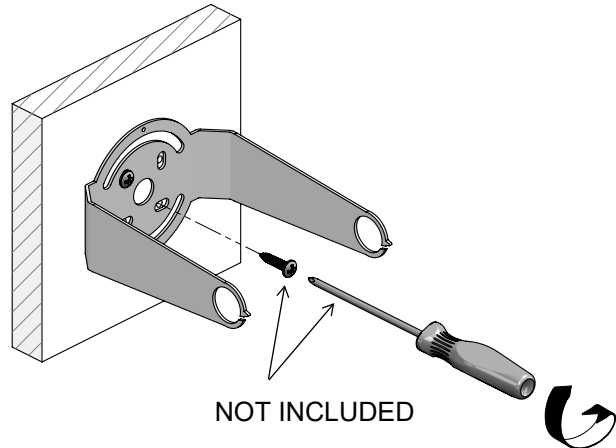
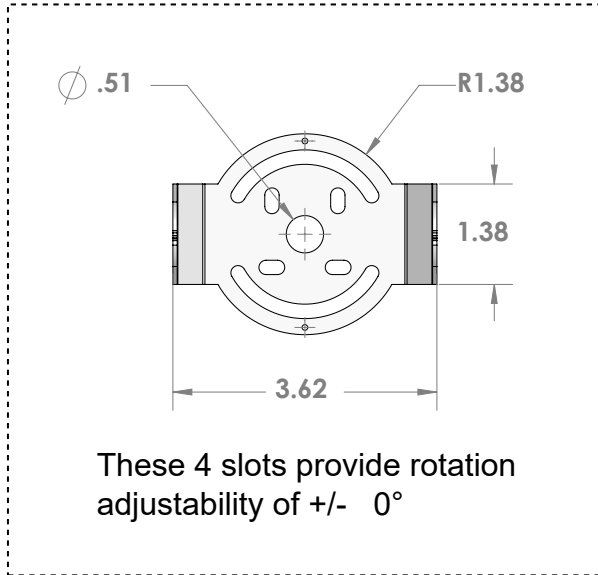
- Ferrite Dark Grey (Default)
- Heritage Brown (HB)*
- Bronze (BZ)*
- White (WT)*
- Black (BT)*
- Sandstone Grey (SG)*

Fixture Bracket Installation

Fixture bracket can be installed directly onto mostly any surface.

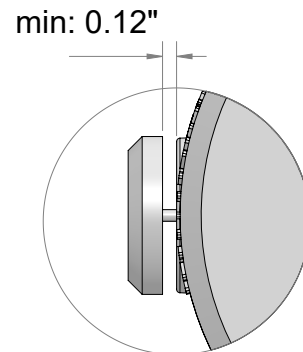
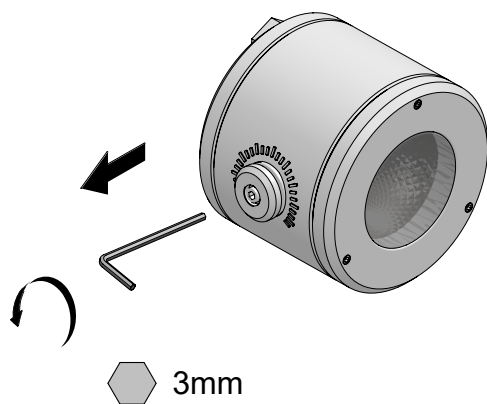
(included 1 per fixture)

Drill 2 holes on the surface at the corresponding distance and then attach bracket using proper hardware depending on mounting surface. Depending on the holes used for mounting, the bracket can provide rotation adjustability of +/- 0°.



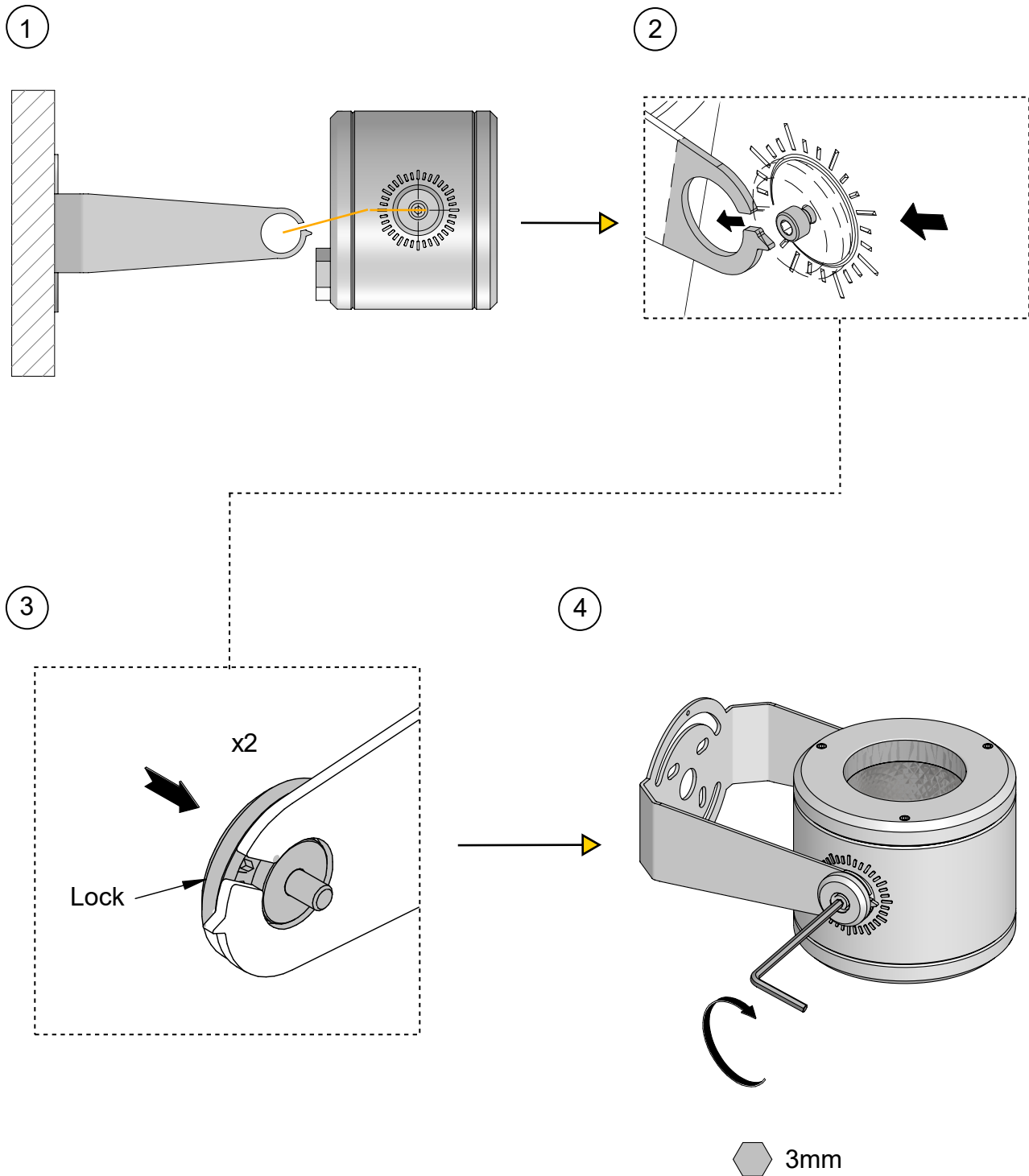
LED Fixture Assembly / Fixture Bracket

To assemble the fixture and the fixture bracket together, use a 2.5 millimeter Allen wrench to loosen the 2 screws on the sides of the fixture to create a gap of approximately 0.08" between the button and the fixture (Allen wrench provided by others).



Fixture Bracket Installation

Once both sides have been loosened and the gap was created, insert the bracket into the gaps using the openings at the end of the bracket as shown on images below. Once inserted, aim to the desired angle and tighten.

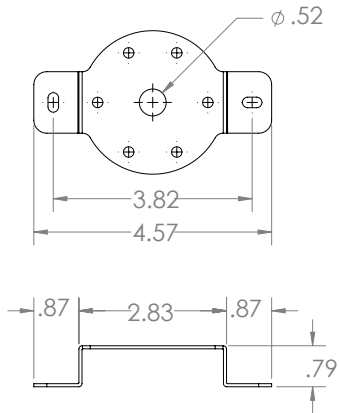
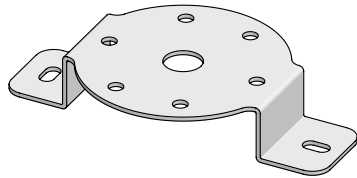


Mounting Installation Cont.

With Rotational Bracket

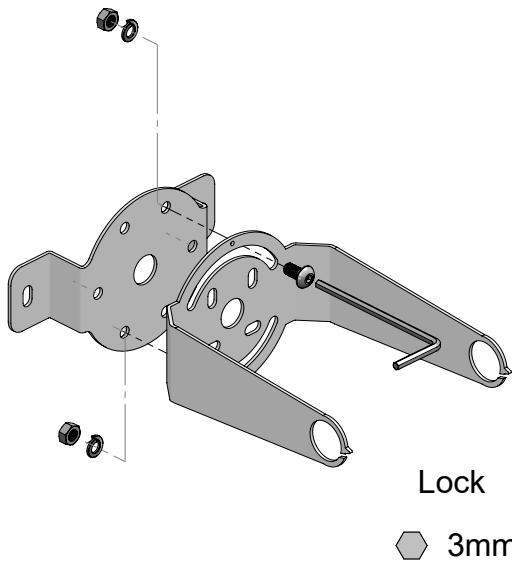
1E3015(*)

1

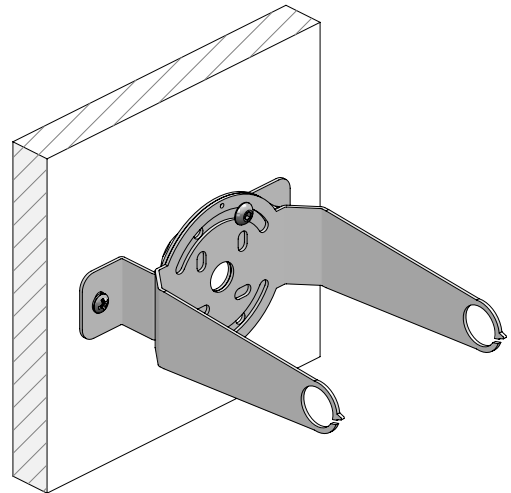


2 Rotation bracket will be leveled, and installed on the mounting surface. Use the appropriate fasteners or anchors to mount the bracket onto mounting surface.

Once the rotation bracket is mounted onto the surface, place the two hex screws through the bracket and rotation plate as shown. Then place the the body of the fixture on top of the mounted bracket. Adjust the fixture to the desire lighting position before locking the two hex screws on top of the mounting bracket.

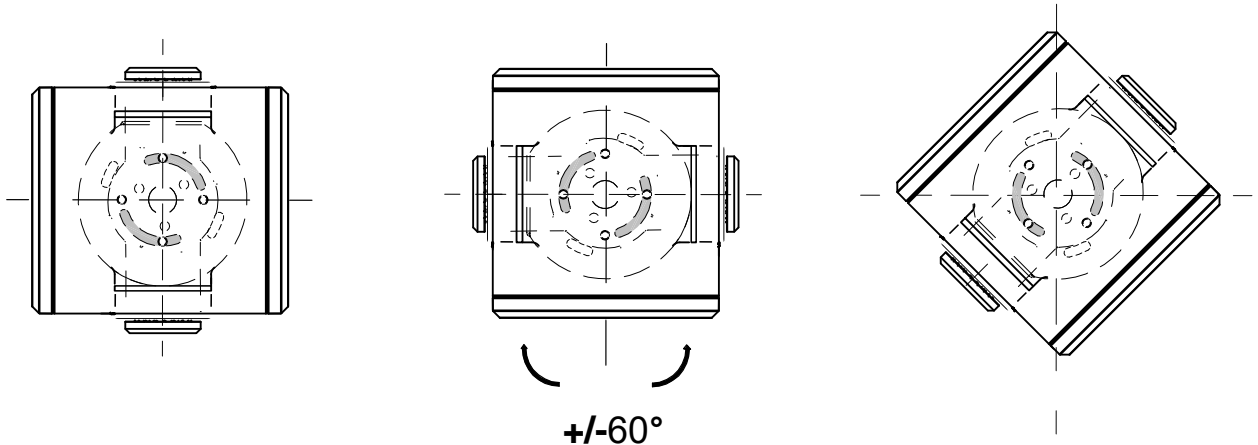


Lock
3mm



ADJUSTMENT

3

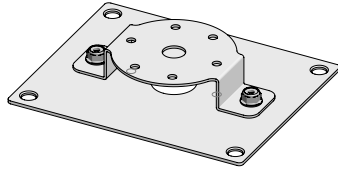


Mounting Installation Cont.

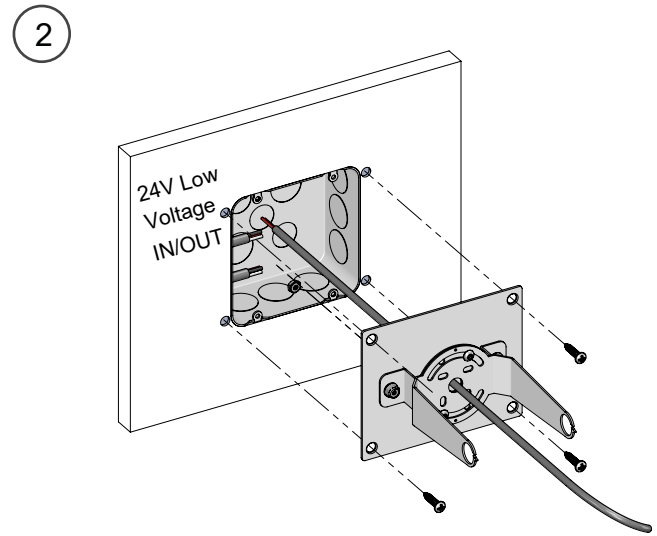
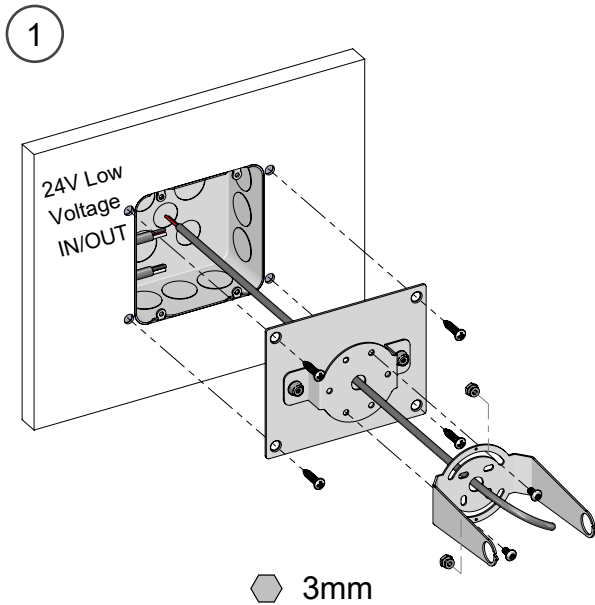
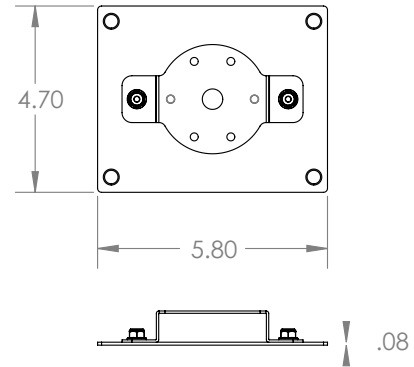
Back Plate with Rotational Bracket

1US3015*

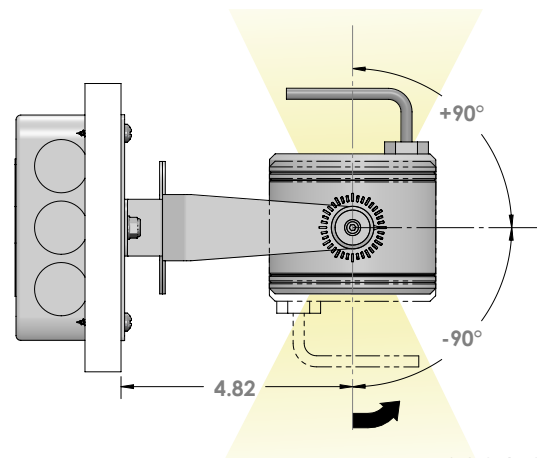
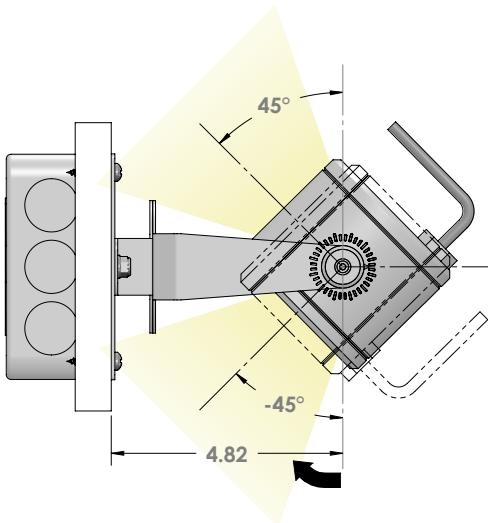
Optional rotation bracket accessory can be mounted onto most surfaces. (Optional 1 per fixture). This accessory is optional to provide complete 360° of mounting positions. Drill 4 holes on the surface at the corresponding distance and then attach the rotation bracket using proper hardware depending on mounting surface.



Back Plate



3 Attach the fixture bracket onto the rotation bracket using provided hardware as shown on image. Then adjust fixture at desired angle and tighten.

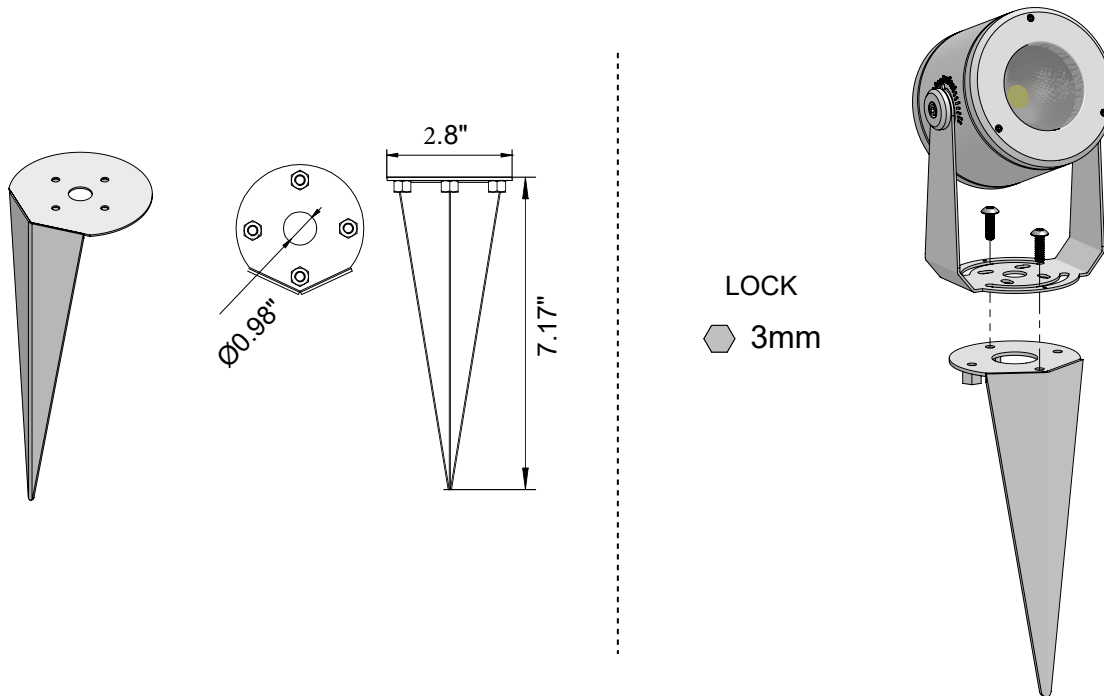


Mounting Installation Cont.

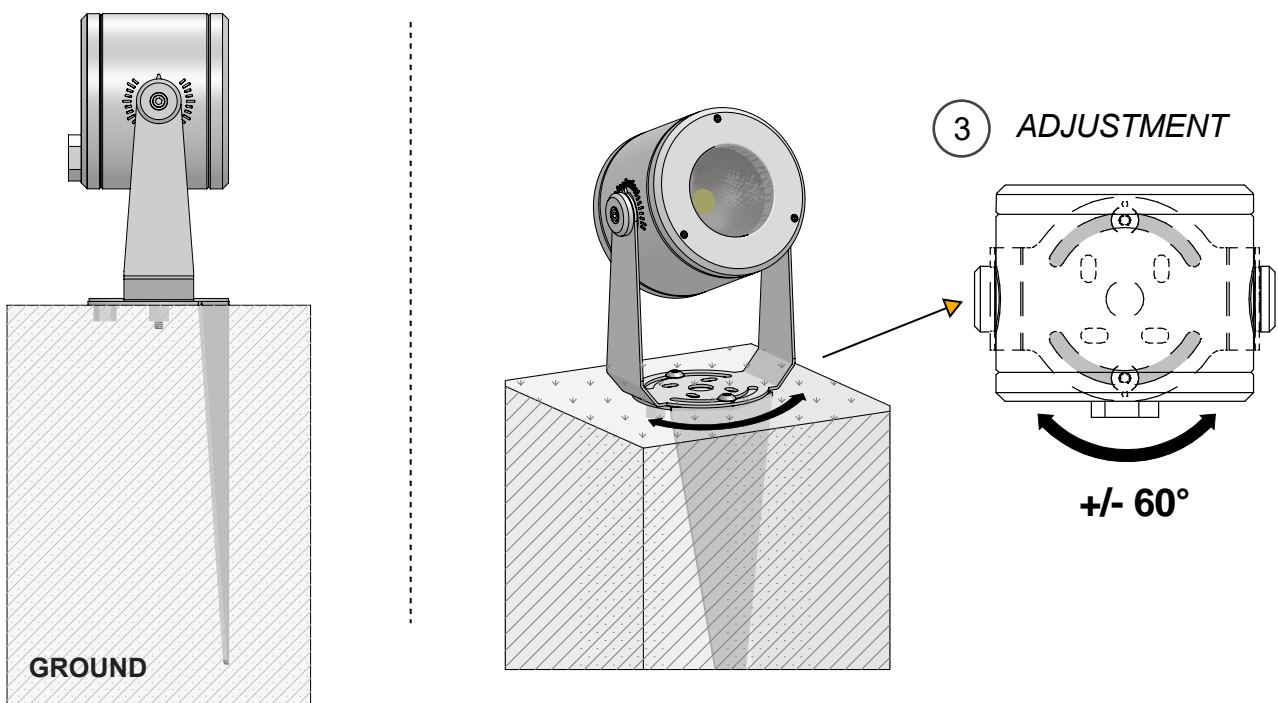
Earthspike Installation

1E3016*

- 1 Earthspike will be installed on the mounting ground and should be stable and sturdy before mounting fixture. Use the appropriate fasteners or anchors to mount the bracket onto mounting surface.

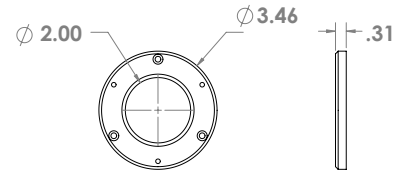
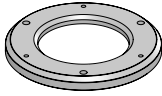


- 2 Once the earthspike is mounted onto the surface, place the two hex screws through and place the the body of the fixture on top of the mounted bracket. Adjust the fixture to the desire lighting position before locking the two hex screws on top of the mounting bracket.



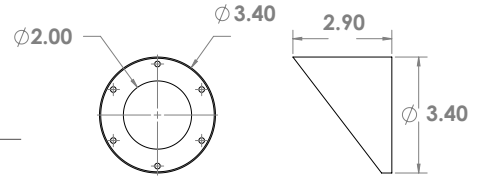
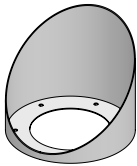
External Optical Accessories (Optional)

Maximum of Two Accessories Per Fixture



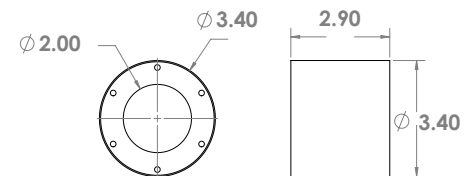
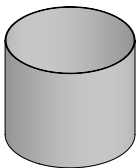
Blade Light Linear Spread Lens. PMMA holographic filter.

Part No. **1E4002 (*)**



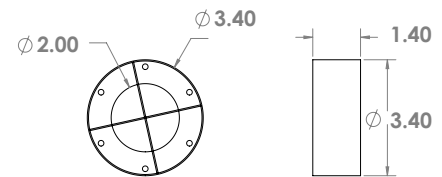
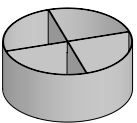
Asymmetric snoot. Powder coated stainless steel. Cutoff 53°. **Not compatible with 1E4004, 1E4005 or 1E4057.**

Part No. **1E4003 (*)**



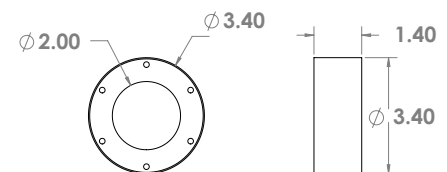
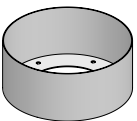
Symmetric super snoot. Powder coated stainless steel. Cutoff 53°. **Not compatible with 1E4003, 1E4004 or 1E4005.**

Part No. **1E4057 (*)**



Anti glare louver with removable baffles for different levels of glare control. Powder coat stainless steel. Cutoff 103°. **Not compatible with 1E4003, 1E4004 or 1E4057.**

Part No. **1E4005(*)**

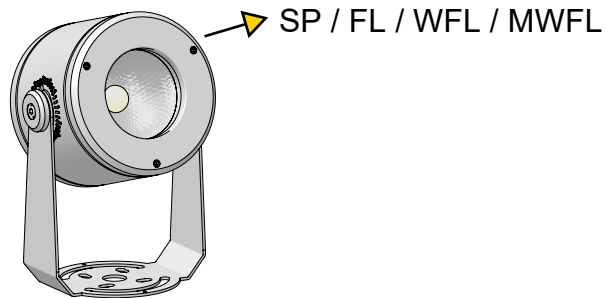
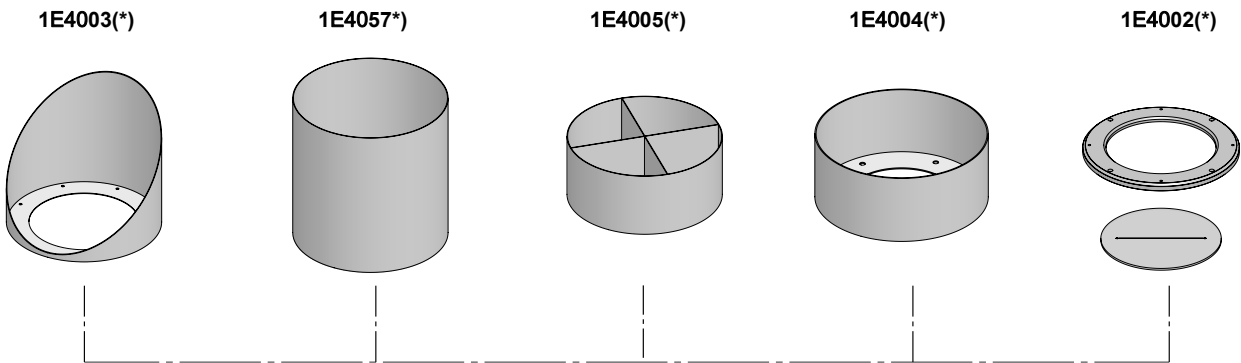


Symmetric snoot. Powder coated stainless steel. Cutoff 109°. **Not compatible with 1E4003, 1E4005 or 1E4057.**

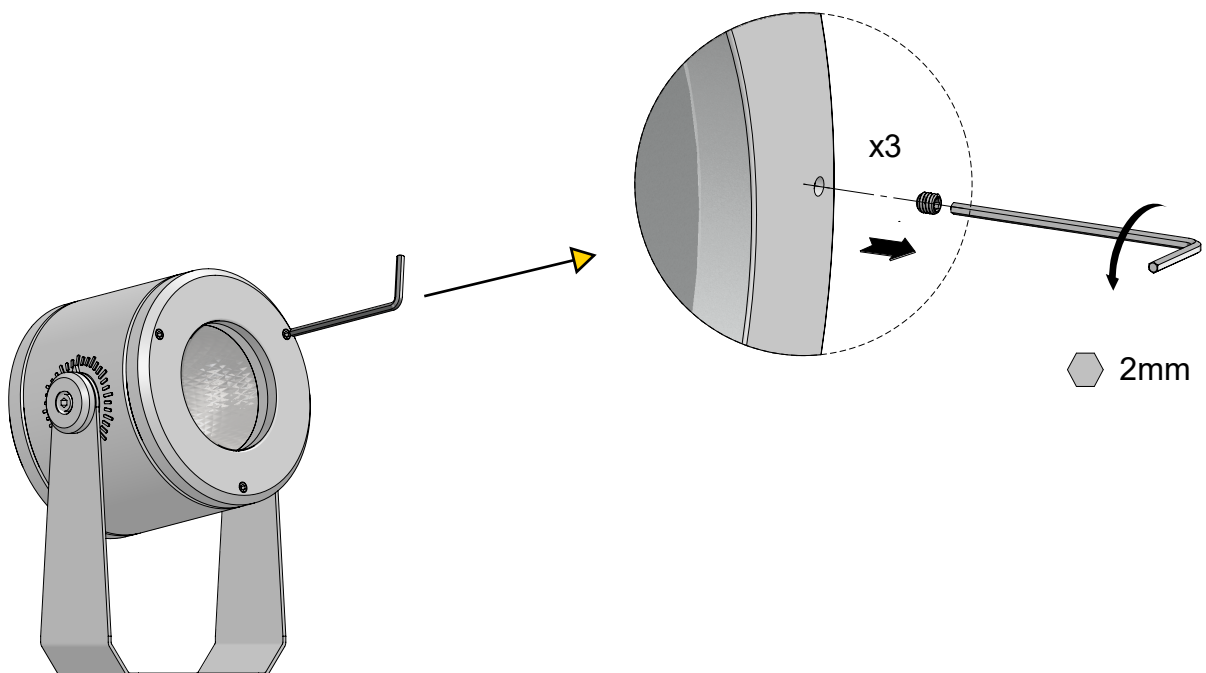
Part No. **1E4004 (*)**

Confirm Specified Accessory (Sold Separately)

**In order to attach accessories onto the fixture, you must first remove the 4 screw caps from the glass screen. Place the blade light filter onto the LED fixture's face, align holes on accessory to holes on fixture. Once the 4 holes are aligned, insert the 4 screws (provided with asymmetric snoot) into the LED fixture head and tighten with a 3mm Allen wrench to complete installation. Maximum of two accessories per fixture.



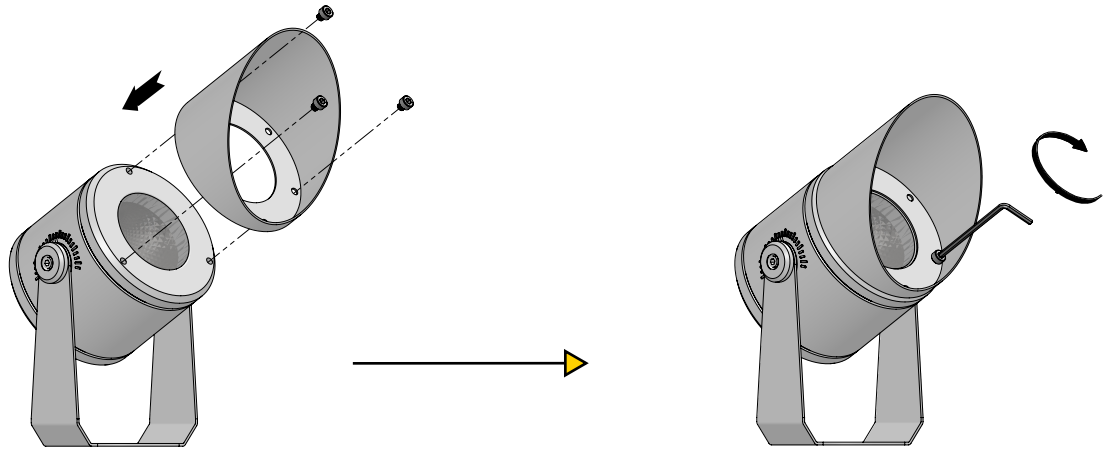
Take the set screw off to fix the accessories



Confirm Specified Accessory Cont. (Sold Separately)

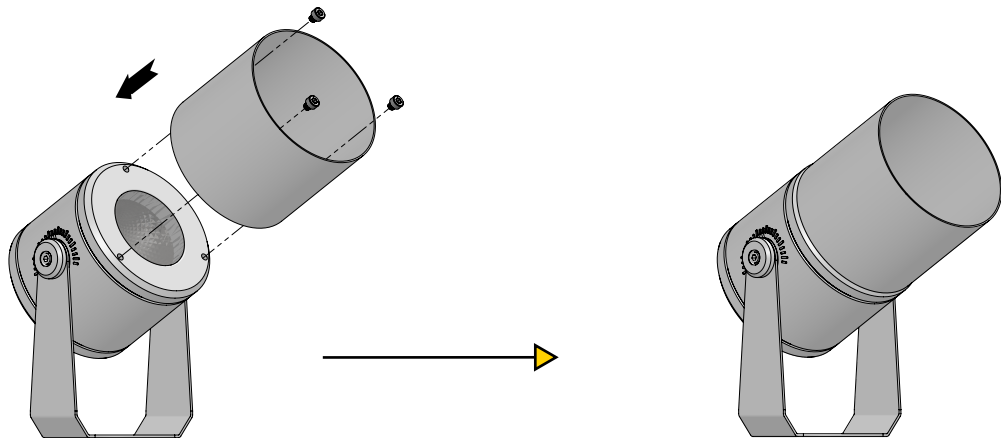
1E4003*
Asymmetric Snoot

3



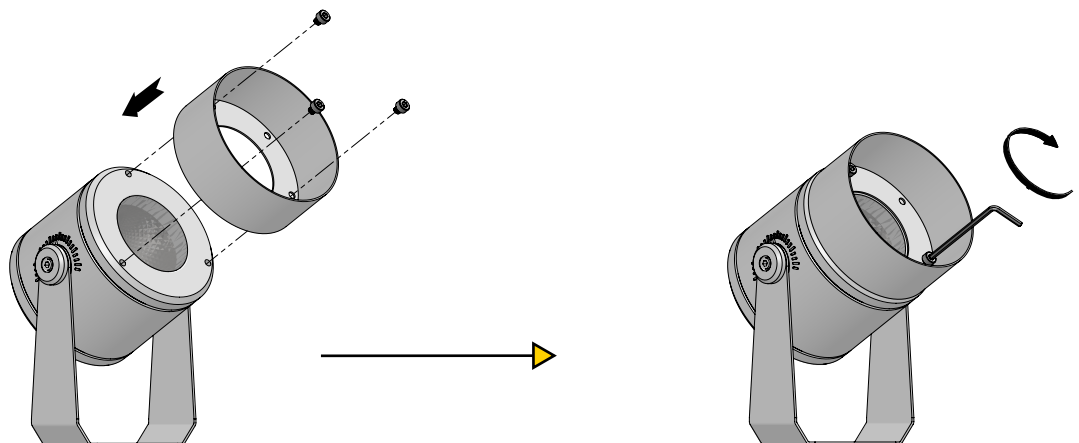
1E4057*
Symmetric Super Snoot

3



1E4004*
Symmetric Snoot

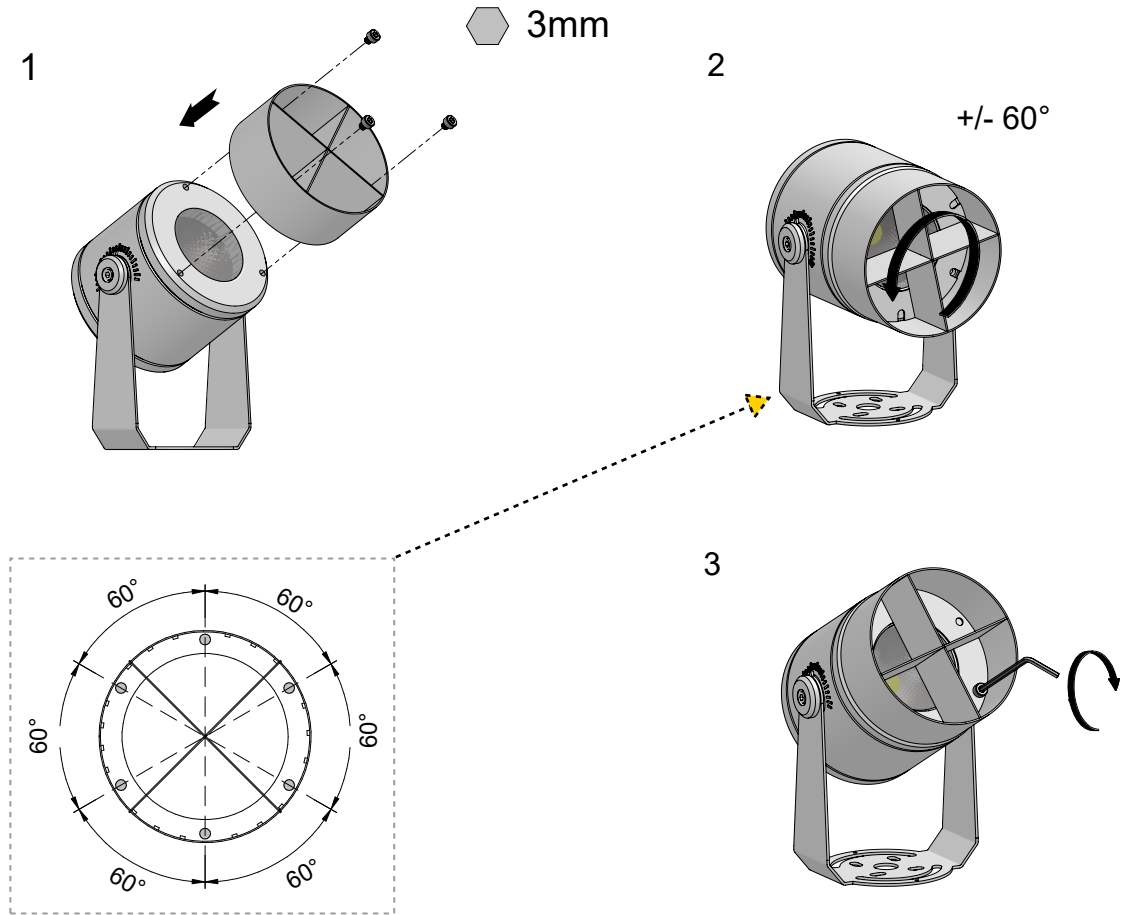
3



Confirm Specified Accessory Cont. (Sold Separately)

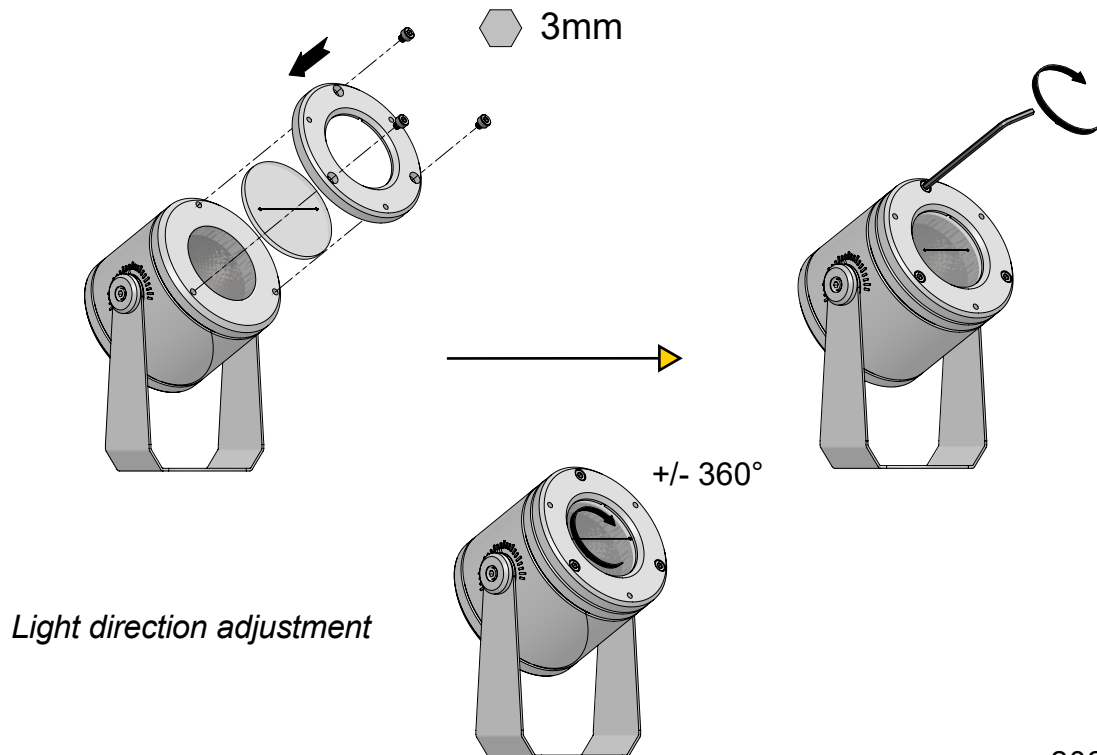
1E4005*

Anti-Glare Louver

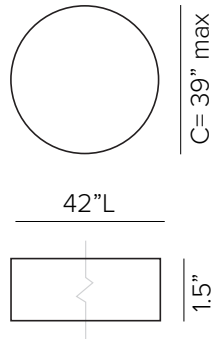


1E4002*

Blade Light Linear



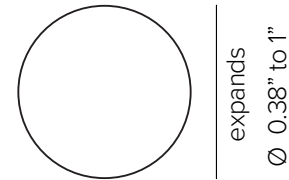
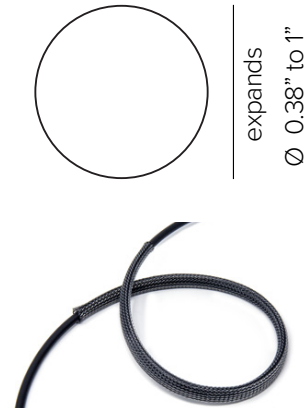
Tree Mounting Accessories Installation



Single tree strap comprised of durable Nylon webbing flexible strap with high strength aircraft aluminum V-ring buckle in Gunmetal finish and lock-in loop to prevent slipping. **Strap is made to coordinate with up to 3 fixtures and 1 wiring connection box. Strap fits trees 39" max circumference or smaller. (REQUIRED)**

Finish ● Olive Green ● Coyote Brown
● Graphite Grey

Part No. TTS0101 TTS0102 TTS0103



Mesh wire protection cover sleeve comprised of braided polyethylene terephthalate (PET) monofilament webbing resistant to chemical degradation, UV radiation and abrasion. 3/8" SJO Cord Sleeve, available per foot. **(OPTIONAL)**

Finish ● Ferrite Dark Grey ● Bronze

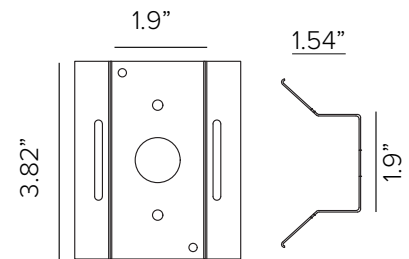
Part No. TTBLT0101 TTBLT0102



Fixture bracket comprised of powder coated stainless steel for use with tree strap. **Maximum of 3 brackets can be per single strap. (REQUIRED)**

Finish ● Ferrite Dark Grey ● Bronze

Part No. TTBLT0101 TTBLT0102



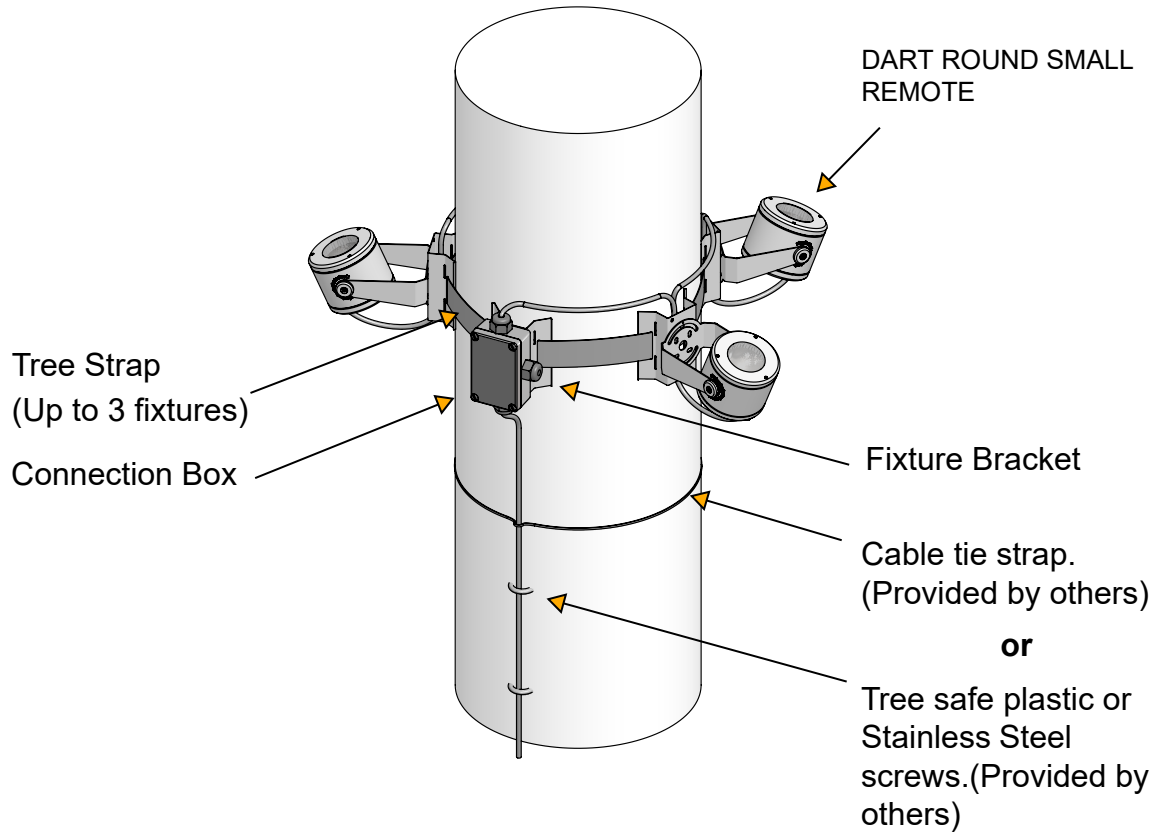
Tree Strap Connection Box. Painted aluminum UL listed 9in³ j-box with 3ea 3/8" cable glands and 1ea 1/2" cable gland. Mounting bracket for tree strap included. Used to connect multiple 24V DC low voltage cables for one continuous cable connection down the tree to remote driver, additional cable provided by others. **Can be used for up to 3 fixture connections per tree strap. (OPTIONAL)**

Finish ● Ferrite Dark Grey ● Bronze

Part No. TTCB0103FG TTCB0103BZ

Tree Mounting Accessories Installation

Wiring Configuration



Electrical Roughin / Wiring Diagram

POWER SUPPLY (REQUIRED)

ENCLOSURE								
Part No.	Wattage	Control	Dim Range	Rating	In / Out Voltage	Certification	Dimensions (Enclosure)	Description
DMLE301242UD	30W	MLV / ELV / 0-10V / TRIAC	MLV <10% / ELV <10% / 0-10V <5%	NEMA3R	120-277V / 24V	UL Class 2	4.47" X 6.79" X 1.38"	EMCOD MLE-UD electronic driver with wiring compartment.
DELV30124D JBX	30W	0-10V	1%	IP65	120-277V / 24V	UL Class 2	12.1" X 2.4" X 1.4"	Magnitude SOLIDrive electronic driver with built in junction box.
DMLE601242UD	60W	MLV / ELV / 0-10V / TRIAC	MLV <10% / ELV <10% / 0-10V <5%	NEMA3R	120-277V / 24V	UL Class 2	4.47" X 6.79" X 1.38"	EMCOD MLE-UD electronic driver with wiring compartment.
DELV60124DJBX	60W	0-10V	1%	IP65	120-277V / 24V	UL Class 2	12.1" X 2.4" X 1.4"	Magnitude SOLIDrive electronic driver with built in junction box.
DMLE961242UD	96W	MLV / ELV / 0-10V / TRIAC	MLV <10% / ELV <10% / 0-10V <5%	NEMA3R	120-277V / 24V	UL Class 2	5.16" X 7.73" X 1.54"	EMCOD MLE-UD electronic driver with wiring compartment.
DELV96124DJBX	96W	0-10V	1%	IP65	120-277V / 24V	UL Class 2	12.1" X 2.4" X 1.4"	Magnitude SOLIDrive electronic driver with built in junction box.
DMLE1922242UD	2X96W	MLV / ELV / 0-10V / TRIAC	MLV <10% / ELV <10% / 0-10V <5%	NEMA3R	120-277V / 24V	UL Class 2	5.04" X 10.94" X 1.81"	EMCOD MLE-UD electronic driver with wiring compartment.
DMLE2882242UD	3X96W	MLV / ELV / 0-10V / TRIAC	MLV <10% / ELV <10% / 0-10V <5%	NEMA3R	120-277V / 24V	UL Class 2	5.04" X 10.94" X 1.81"	Magnitude SOLIDrive electronic driver with built in junction box.

STANDALONE								
Part No.	Wattage	Control	Dim Range	Rating	In / Out Voltage	Certification	Dimensions (Standalone)	Description
DELV30124D	30W	0-10V	1%	IP65	120-277V / 24V	UR Class 2	7.5" X 2.4" X 1.4"	Magnitude SOLIDrive electronic standalone driver. UL listed enclosure provided by others.
DELV60124D	60W	0-10V	1%	IP65	120-277V / 24V	UR Class 2	7.5" X 2.4" X 1.4"	Magnitude SOLIDrive electronic standalone driver. UL listed enclosure provided by others.
DELV96124D	96W	0-10V	1%	IP65	120-277V / 24V	UR Class 2	7.5" X 2.4" X 1.4"	Magnitude SOLIDrive electronic standalone driver. UL listed enclosure provided by others.

MAX CABLE DISTANCE						
Fixture Wattage	No. Fixtures	Load	18 AWG	16 AWG	14 AWG	12 AWG
2W	1-4	≤16W	72ft	115ft	180ft	290ft
	5-8	≤32W	42ft	67ft	106ft	165ft
	9-12	≤48W	28ft	44ft	70ft	112ft
	13-16	≤54W	20ft	33ft	52ft	84ft
	17-20	≤80W	16ft	26ft	41ft	66ft
15W	1	≤16W	72ft	115ft	180ft	290ft
	2	≤32W	42ft	67ft	106ft	165ft
	3	≤48W	28ft	44ft	70ft	112ft
	4	≤54W	20ft	33ft	52ft	84ft
	5	≤80W	16ft	26ft	41ft	66ft

*Voltage drop calculations are based on 3% max drop to last fixture in run for load and distances below

Electrical Roughin / Wiring Diagram

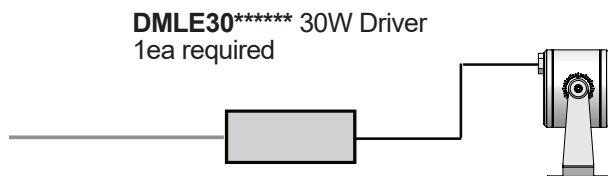
The Dart Small fixtures are powered by a 24VDC constant voltage power supply that is installed remotely. **This installation must be done by a qualified electrician that complies with NEC and local building code. CAUTION: DO NOT CONNECT FIXTURE TO LIVE VOLTAGE! THIS WILL DAMAGE THE FIXTURE AND VOID THE WARRANTY!**

This fixture is powered with class 2 cable for low voltage application, Installer will run class 2 cable rated based on the location of application from the output power feed to the remote power supply. Cable length and gauge will be determined based on installation and voltage drop threshold percentage of <3%.

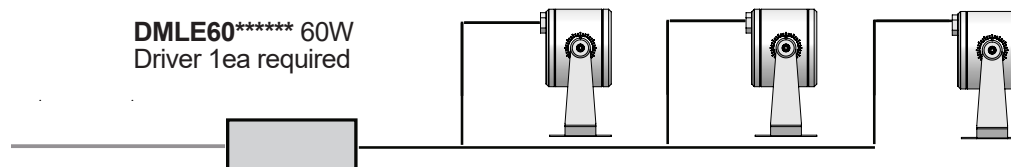
MAX FIXTURES PER DRIVER

Fixture Wattage	Driver Wattage				
	30W	60W	96W	2X96W	3X96W
Dart Round Small W	12	24	38	38+38	38+38+38
Dart Round Small 15W	1	3	5	5+5	5+5+5

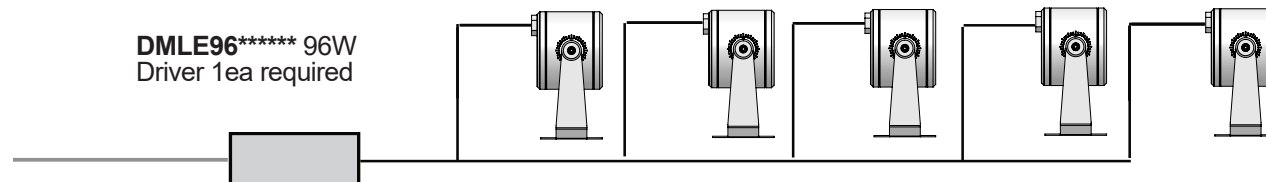
Fixture 15W 1ea fixture maximum



Fixture 15W 3ea fixture maximum



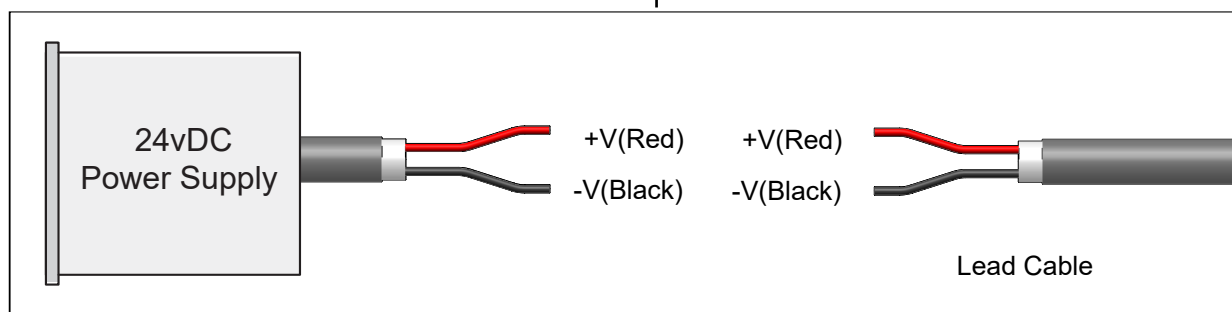
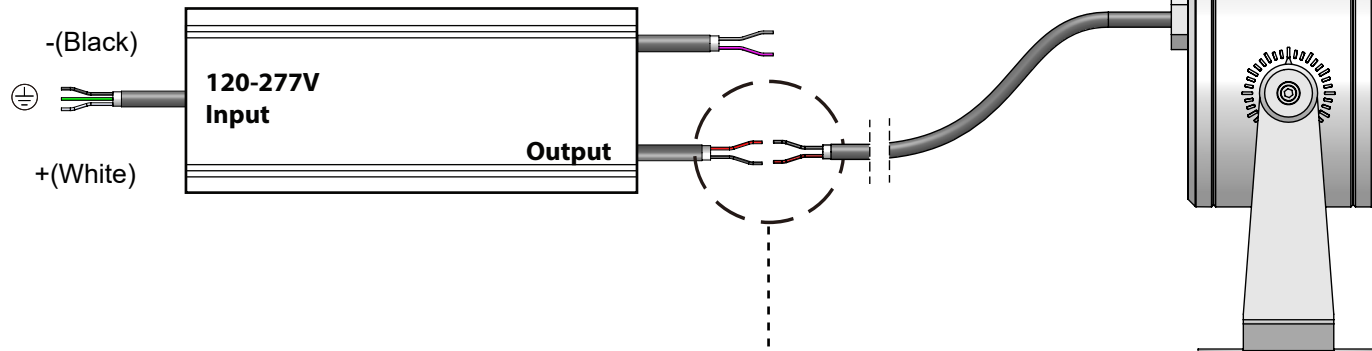
Fixture 15W 5ea fixture maximum



Fixture Wiring Diagram

Power Supply Sold
separately (Required)

0-10V
Dimmer



Maintenance

This fixture was designed and manufactured for a durable, long lasting use with minimum care. To ensure the maximum lifespan of this product, we encourage our customers to provide a quality visual inspection of the fixture and installation accessories every six months.

If there are any visible signs of issues (i.e moisture or dust) during the inspection, please clean any of the dust or moisture with a soft cloth and check to make sure that any of the fixtures are still operating normally. If there are any issues regarding the fixture, please contact us as we will assist the situation at hand.

Support

Any questions, problems, or comments you have please feel free to contact our Customer Service department during our business hours Monday-Friday 8am-5pm via: Email: usaorders@targetti.com
Phone: (714) 513-1991

Visit our website: <http://www.targettiusa.com>