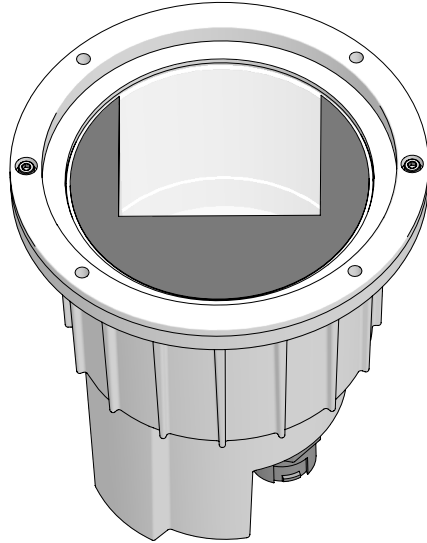




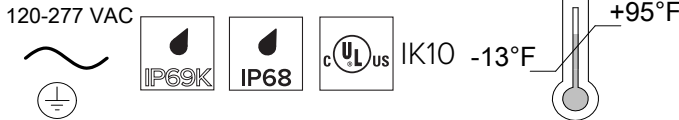
## KEPLERO MINI WALL WASHER

KPLM41WW-

KEPLERO MINI WALL WASHER



If in doubt about the symbols, please refer to catalog or website



### WARNING

To ensure maximum efficiency of the product, read the following instructions thoroughly prior to installation.

**\*Please make sure the fixture is sealed correctly and the trim ring is properly tightened.**



This fixture must be installed by a licensed and qualified electrician. The installer must comply with NEC and local building codes when installing the fixture



Electrical current can cause painful shock, serious injury, or even death. Make sure you turn off the power supply, ground fixture(s), and make sure all electrical connections are correct and secured



This fixture must not be installed during rain, fog, or high humidity



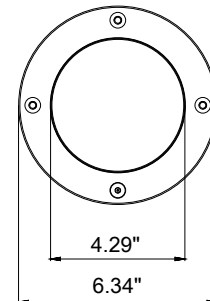
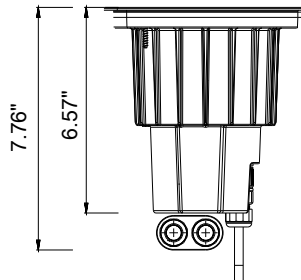
For use in IP67 installations.



Keep the label of the original packaging if any eventual future claims are needed



KEPLERO MINI WALL WASHER  
KPLM41WW-



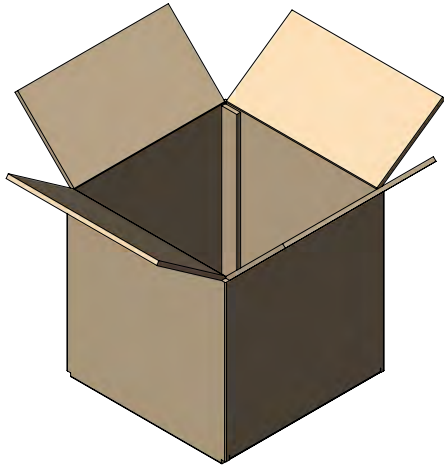
## Table of Contents

|                                  |         |
|----------------------------------|---------|
| Packaging Contents               | Pg.2    |
| Required Options Sold Separately | Pg.3-7  |
| Choose Installation Instructions | Pg.8-16 |
| Finished Installation Example    | Pg.17   |
| Maintenance / Support            | Pg.19   |

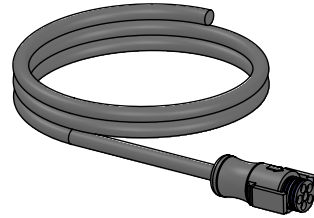
# Packaging Contents

## Keplero Mini Wall Washer

7.5"x 7.5"x 8.5" Box @2.43 lbs



Standard 4' Lead Cable



### Conductor Callout

IP68 DSM&T anti-wicking quick disconnect

Black = line voltage

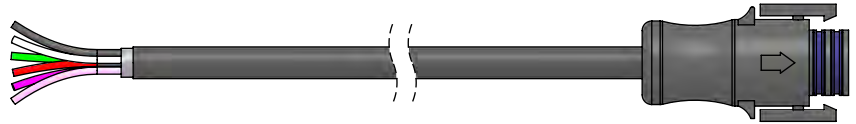
White = neutral

Green = ground

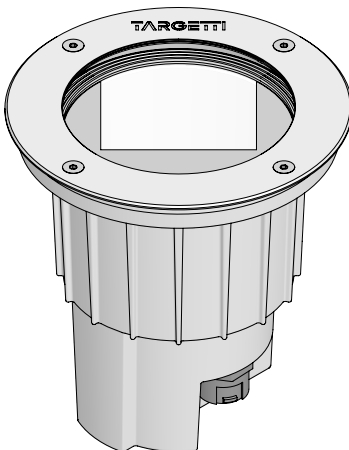
Red = Do Not Use

Purple = positive 0-10V

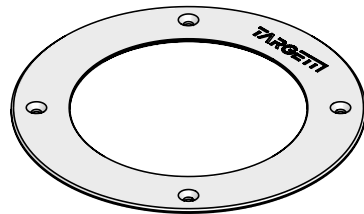
Pink = negative 0-10V



Led Fixture 1 ea.



Stainless Steel Trim Ring 1 ea.  
IK10 Glass and Gasket 1ea.



Trim ring screws 4 ea.  
(installed on fixture)

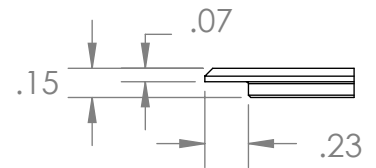
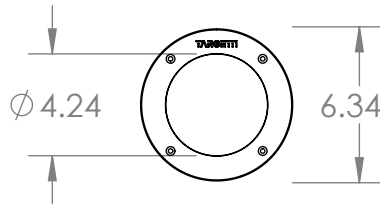
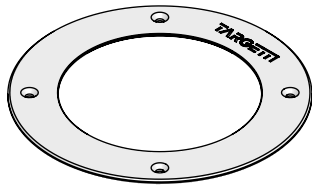


Fastening Screws 2 ea.

Note: SS Trim finish and Glass type to be specified for order (see page 3 and 4)

# Required Options Sold Separately Choose

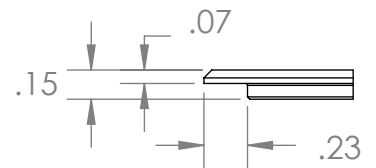
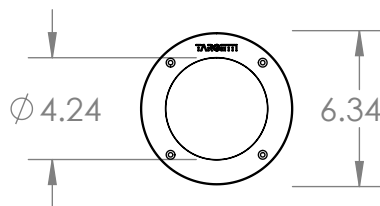
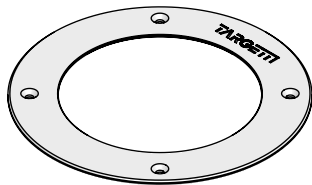
## ROUND TRIM RING



Round stainless steel (AISI316L) decorative ring. 10mm thick extra clear protective glass. Silicone gasket. Tamper proof (AISI316L) Torx screws.

*Finish*      ●    Brushed Natural      ●    Bronze PVD      ●    Black PVD

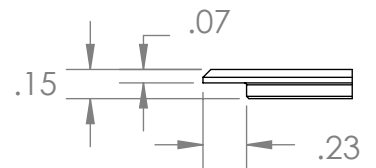
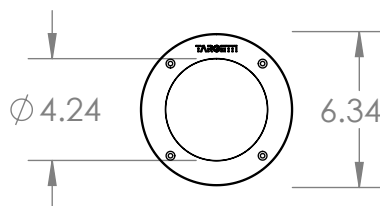
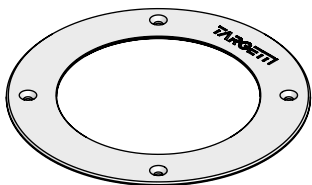
*Part No.*      **1E2525**                      **1DU2525B**                      **1DU2525K**



Round stainless steel (AISI316L) decorative ring with anti-slip glass. 10mm thick extra clear protective glass. Silicone gasket. Tamper proof (AISI316L) Torx screws.

*Finish*      ●    Brushed Natural      ●    Bronze PVD      ●    Black PVD

*Part No.*      **1DU2525A**                      **1DU2525BA**                      **1DU2525KA**



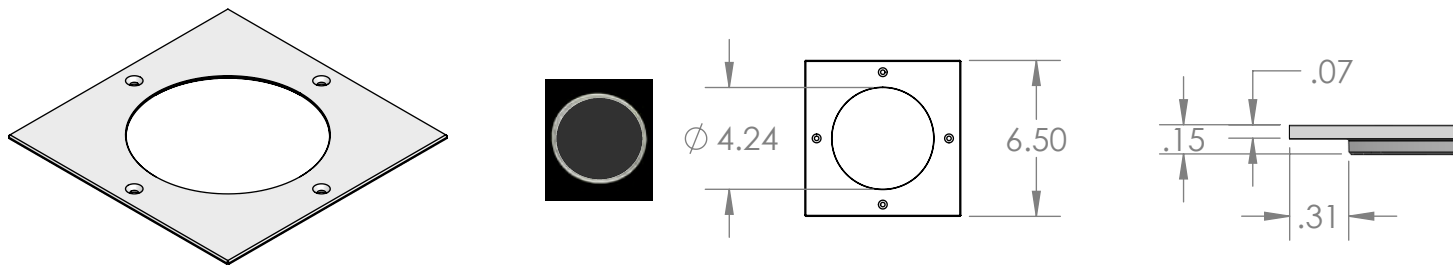
Round stainless steel (AISI316L) decorative ring with half frosted glass. 10mm thick extra clear protective glass. Silicone gasket. Tamper proof (AISI316L) Torx screws.

*Finish*      ●    Brushed Natural      ●    Bronze PVD      ●    Black PVD

*Part No.*      **1DU2525E**                      **1DU2525BE**                      **1DU2525KE**

## Required Trim Options continued

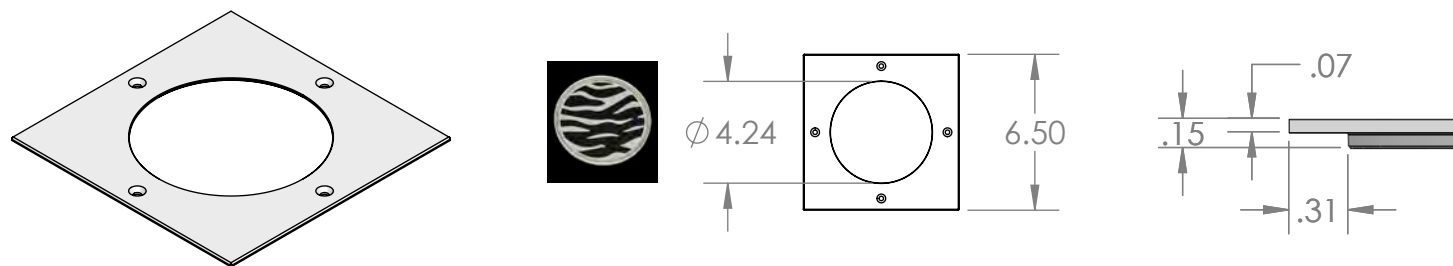
### SQUARE TRIM RING



Square stainless steel (AISI316L) decorative ring. 10mm thick extra clear protective glass. Silicone gasket. Tamper proof (AISI316L) Torx screws.

*Finish* ● Brushed Natural

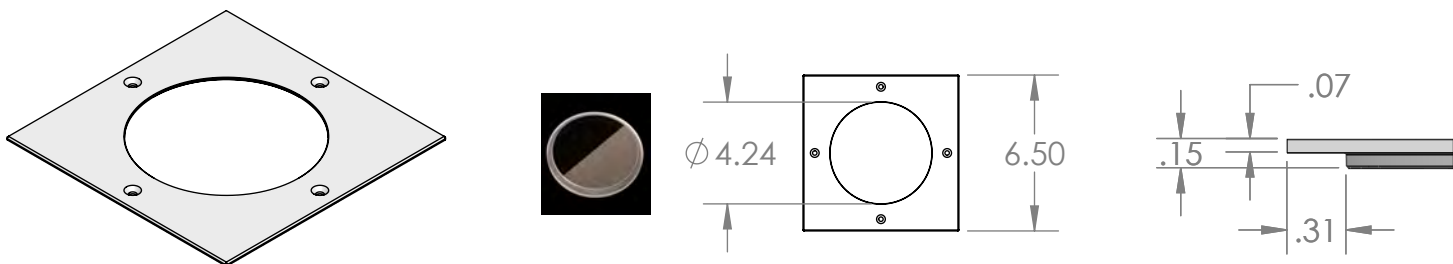
*Part No.* **1E2526**



Square stainless steel (AISI316L) decorative ring. 10mm thick extra clear protective glass. Silicone gasket. Tamper proof (AISI316L) Torx screws.

*Finish* ● Brushed Natural

*Part No.* **1DU2526A**

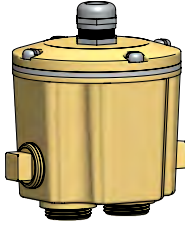


Square stainless steel (AISI316L) decorative ring. 10mm thick extra clear protective glass. Silicone gasket. Tamper proof (AISI316L) Torx screws.

*Finish* ● Brushed Natural

*Part No.* **1DU2526E**

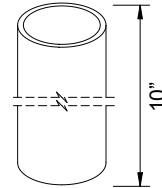
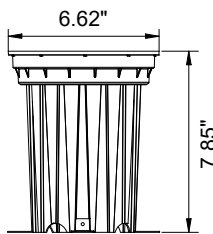
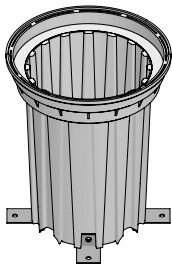
## In Grade J - Box Required



Direct burial brass in-grade j-box. Features stainless steel cover screws and strain relief for power cord, (2) 3/4" NPT bottom holes and (2) 3/4" NPT side holes. Includes (4) 3/4" to 1/2" adapters and (2) 1/2" NPT plugs **(REQUIRED by NEC)**.

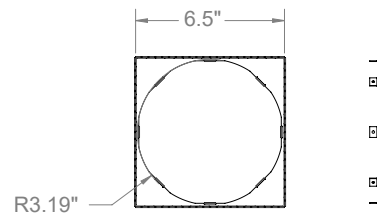
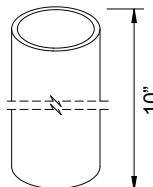
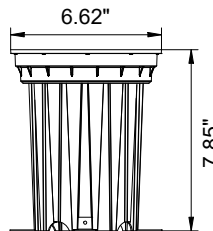
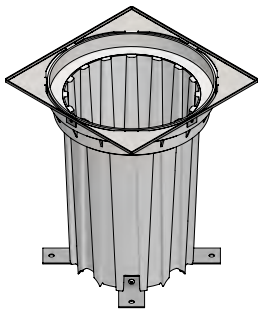
Part No. **1DU2530**

### Required Installation Sleeve Options Choose



Installation sleeve for concrete pour applications. Grey Nylon Sleeve with 10" PVC installation outer pipe. For flush or semi-flush installations. **Requires use of 1DU2530 by NEC.**

Part No. **1DU2521**

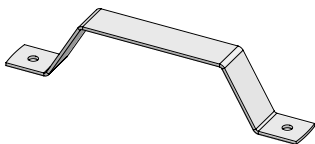


Installation sleeve for concrete pour applications. Grey Nylon Sleeve and stainless steel support bracket with 10" PVC installation outer pipe. Square ring for flush installation only. **For use with square trim options only. Requires use of 1DU2530 by NEC.**

Part No. **1E2522**

**1DU2522**

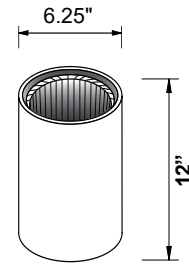
### Installation (Optional)



**Fixture metal maintenance removal handle.** Helpful one per 10 fixtures.

Part No. **1E2524**

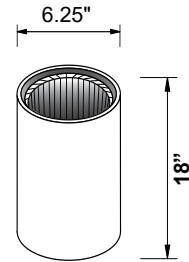
## Required Installation Sleeve Options Continued



At grade or raised installation sleeve for turf or ground cover applications. **12”H** stainless steel, includes factory pre-installed inner PVC installation sleeve. **To be used with round trim options only. Not suitable for use with 1DU2521 or 1DU2522.** (Field cuttable. Used for fixture elevations at grade to 3” above grade). **Requires use of 1DU2530 by NEC.**

*Finish* ● Deep Black

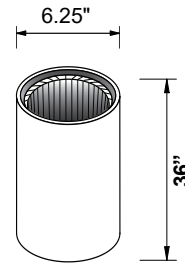
*Part No.* 1DU434412



Raised installation sleeve for ground cover (succulents and low level planting) applications. **18”H** stainless steel, includes factory pre-installed inner PVC sleeve. **To be used with round trim options. Not suitable with 1DU2521 or 1DU2522.** (Field cuttable. Used for fixture elevation 3” to 7” above grade). **Requires use of 1DU2530 by NEC.**

*Finish* ● Deep Black

*Part No.* 1DU434418



Raised installation sleeve for landscape applications. **36”H** stainless steel, includes factory pre-installed inner PVC sleeve. **To be used with round trim options. Not suitable with 1DU2521 or 1DU2522.**

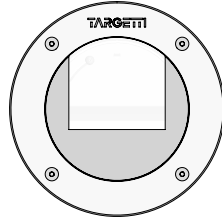
(Field cuttable. Used for fixture elevation 7” to 21” above grade). **Requires use of 1DU2530 by NEC.**

*Finish* ● Deep Black

*Part No.* 1DU434436

# Keplero Mini Installation Options

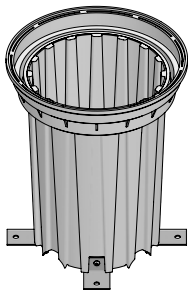
Keplero Mini is available with an integrated electronic 4/1 dimming (Non-Dimming / 0-10V / Reverse Phase / Forward Phase) 120-277V driver.



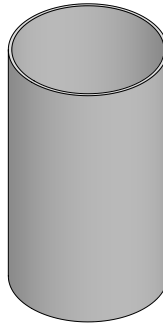
**Keplero Mini Wall Washer**



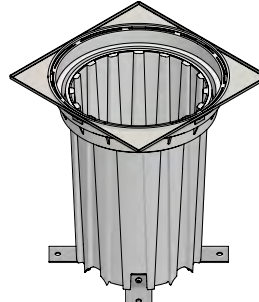
**Installation Sleeve**



**1DU2521**



OR

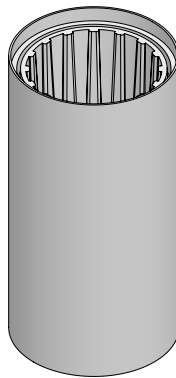


**1DU2522**

OR

**Raised Installation Sleeve**

**1DU434412  
1DU434418  
1DU434436**



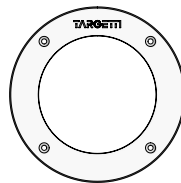
12" / 18" / 36" heights available



**Stainless Steel Trim Ring**

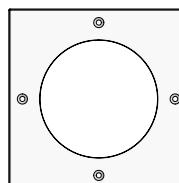
All the rings can be installed flush or semi-flush by simply removing the insertion collar from the PVC installation sleeve.

Square trim ring only available for recessed installation, not for use with raised tube.

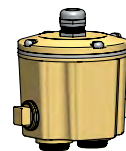


**1E2525  
1DU2525A  
1DU2525E**

OR



**1E2526  
1DU2526A  
1DU2526E**



**In Grade J - Box Required**

# Sleeve Installation Configurations

## IN GRADE INSTALLATION

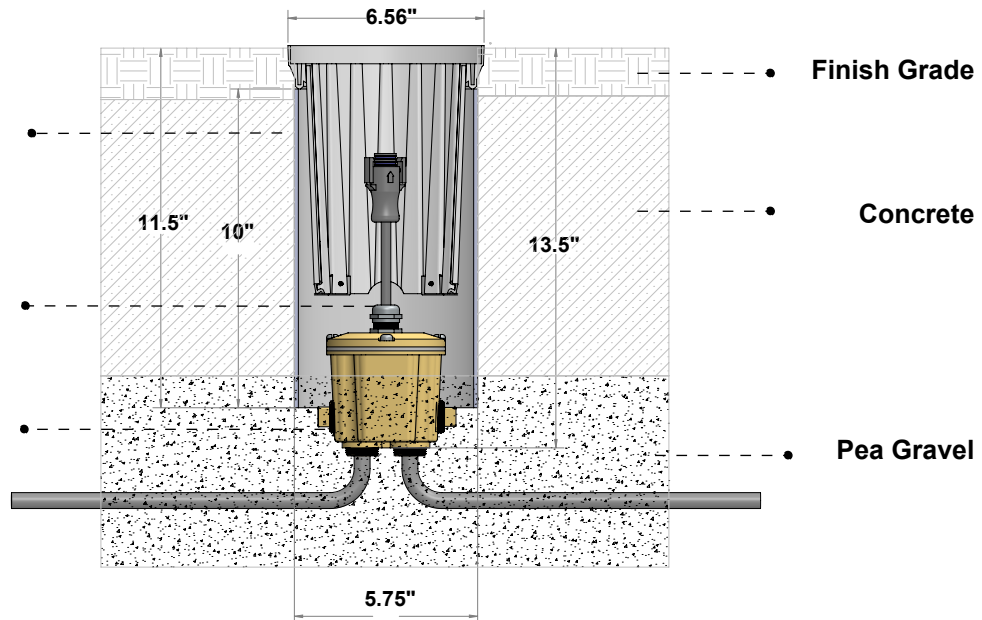
- Installers will dig out trenches to prep the PVC tube
  - Put gravel in the trenches for the J-Box
  - Requirement by UL for adequate drainage
  - Safety net covers below the J-Box and the conduit pipe to warn diggers what is below
- Position of the J-Box must be an accessible depth between 8.5-11.5" required for maintenance
- Insert the PVC pipe with the installation sleeve
  - The gap between the end of the PVC pipe and the middle of the J-Box should have enough room to fix the power cord to be installed with enough slack to remove the fixture while connected
  - Tube is field cut adjustable for accessibility



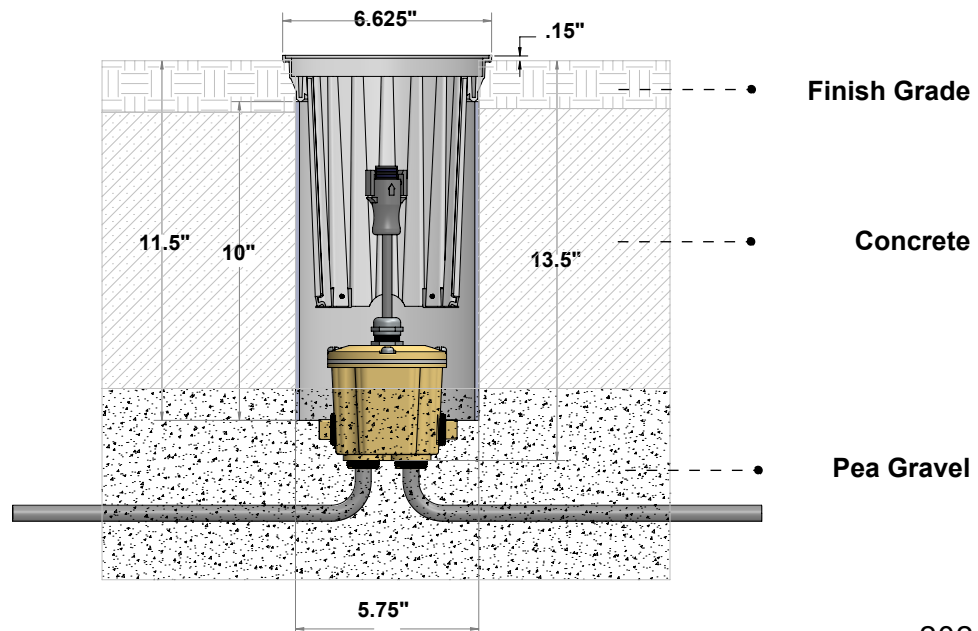
1DU2521

\*Power Cord to be installed with enough slack to remove fixture while connected

In Grade Junction Box with 4 Foot Power Cord COD. 1DU2530.



- If installation requires semi-flushed installation
  - Break off outer ring of installation sleeve for 0.15" raise
  - Fixture will rest above the sleeve for a covered look

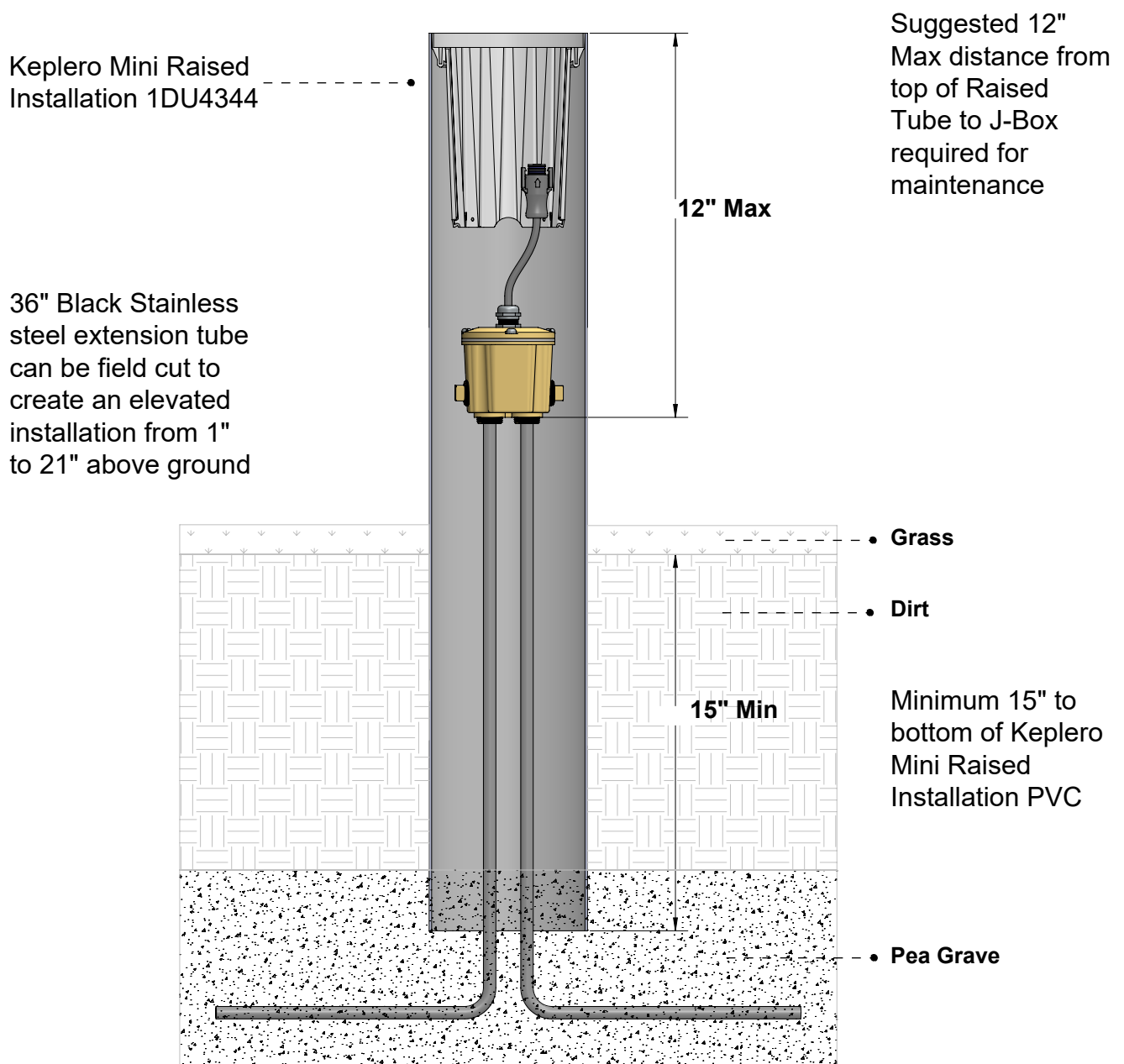




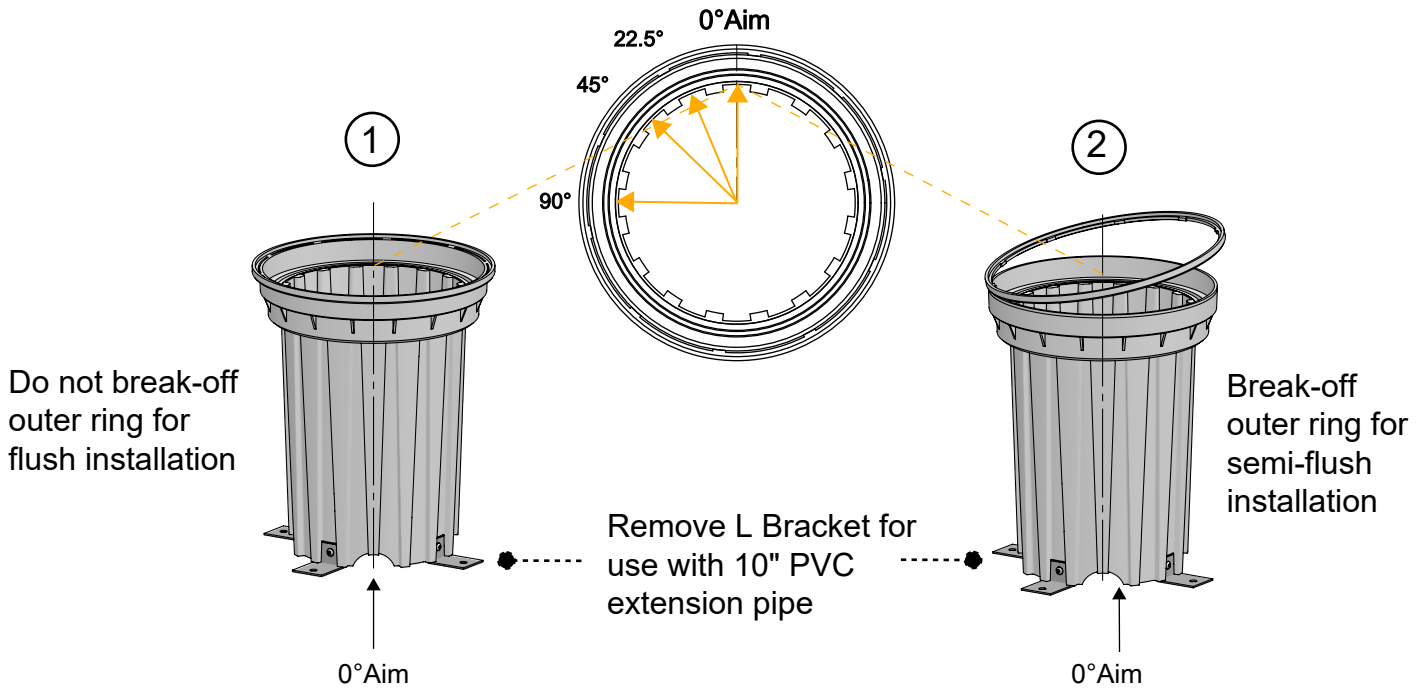
# Sleeve Installation Configurations

## RAISED TUBE INSTALLATION

- For low voltage dimming feature
  - Provide a separate PVC conduit through the gravel to provide a run for all fixtures with dimming for parallel circuiting installation
- For Raised Installation
  - Installers will dig out trenches to prep the PVC tube
  - Minimum 12.75" from bottom of raised installation sleeve to ground level Installers will dig out trenches to prep the PVC Insert the PVC pipe with the installation sleeve
  - PVC pipe for raised installation is 36" total This allows the extension PVC tube to be field cut to create an elevated installation with a range of 1" to 23"



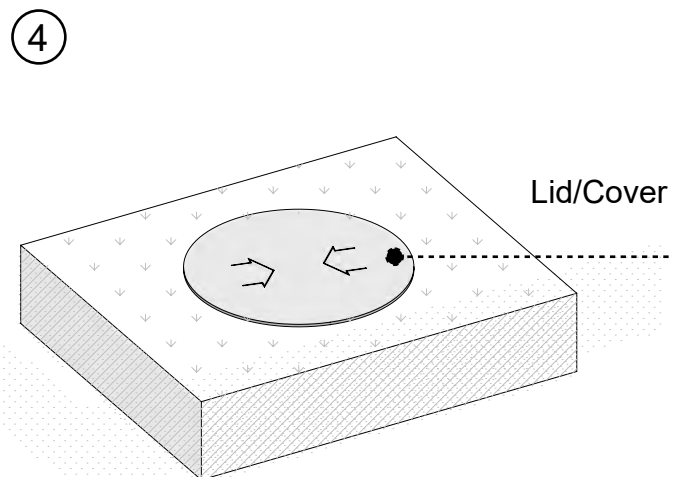
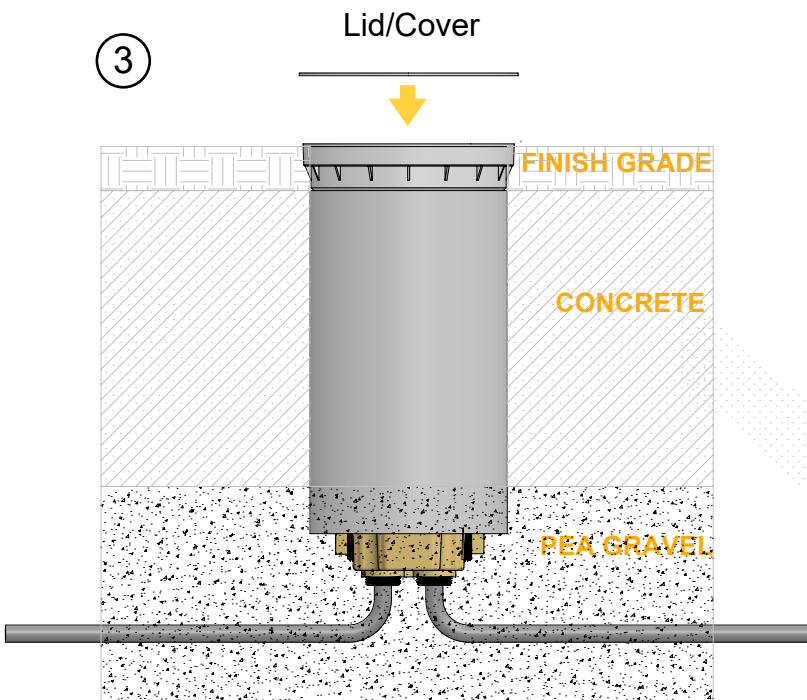
# Sleeve Aiming Instructions



**Important Note:**  
 Wall Washer Fixture aiming is depend on sleeve position.  
 Sleeve must be installed in correct 0° position as show above.

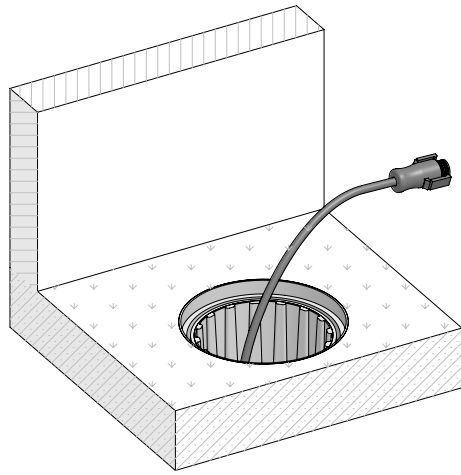
Insert Sleeve with PVC pipe into position keeping power cord safe

Keep lid/cover on to prevent debris from entering the sleeve.  
 Once concrete has been poured and cured, the sleeve cover can be removed, and LED fixture can be connected and installed



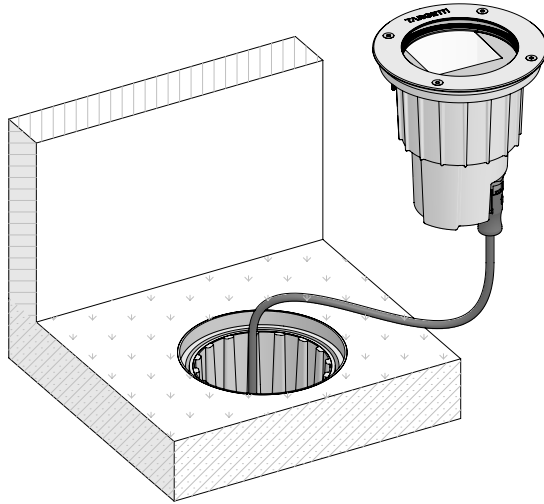
# Fixture Installation Instructions

5

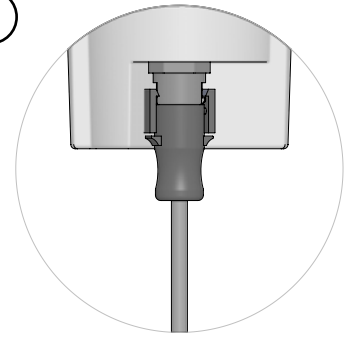


Keep power cord inside and cover sleeve to prevent debris from entering

6

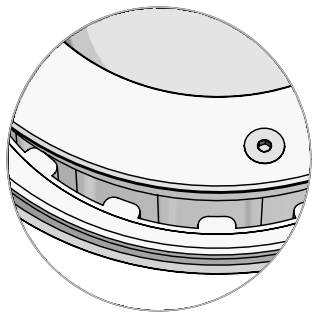


7



Make fixture connections and lock power cord onto LED fixture

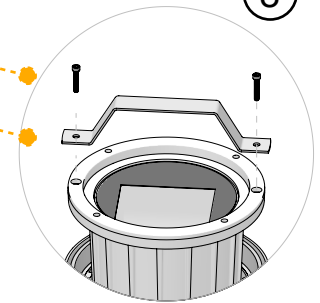
9



Insert LED fixture in at the position and angle desired.

(2) Torx Tx30  
Metal Handle  
1E2524

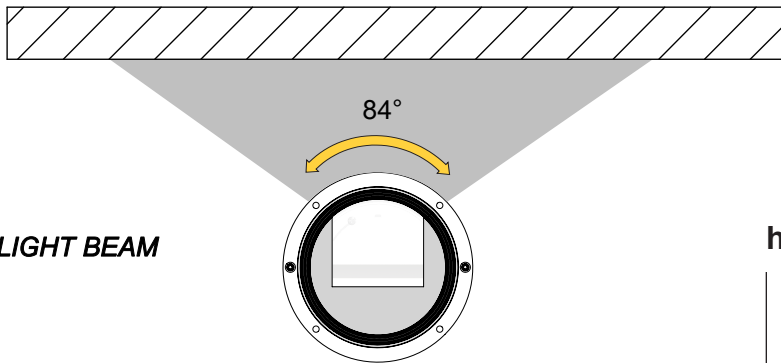
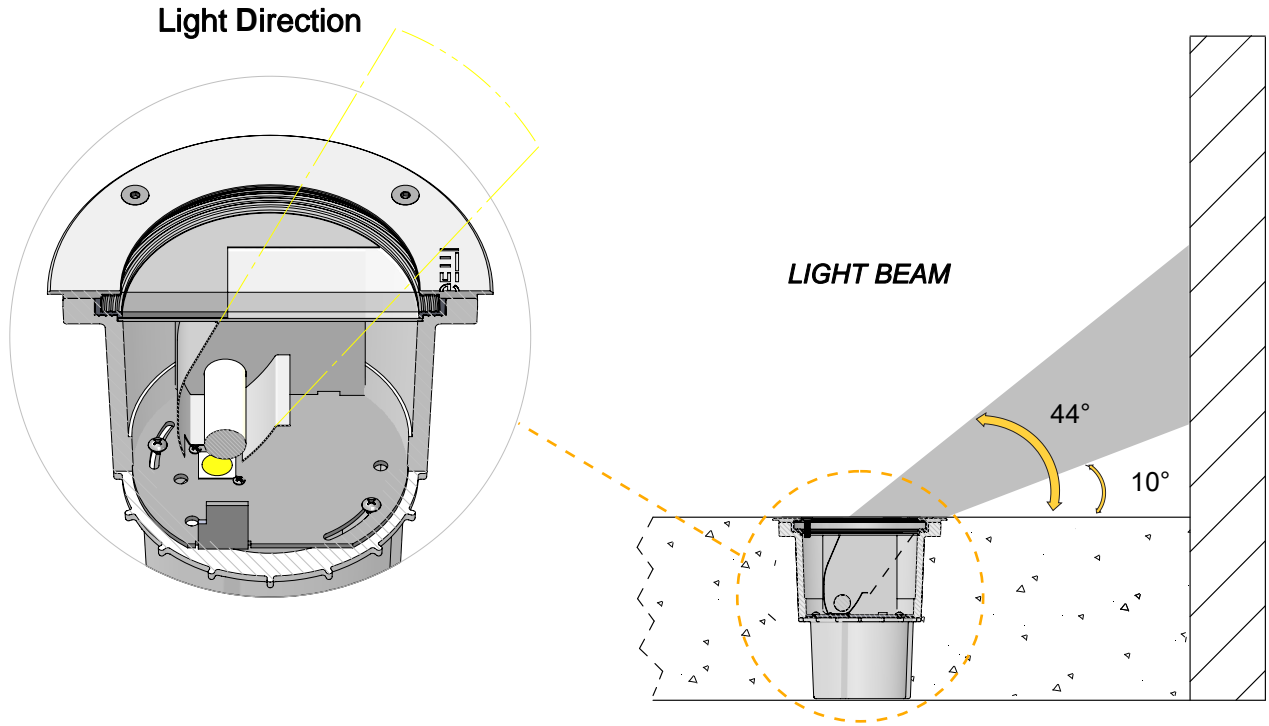
8



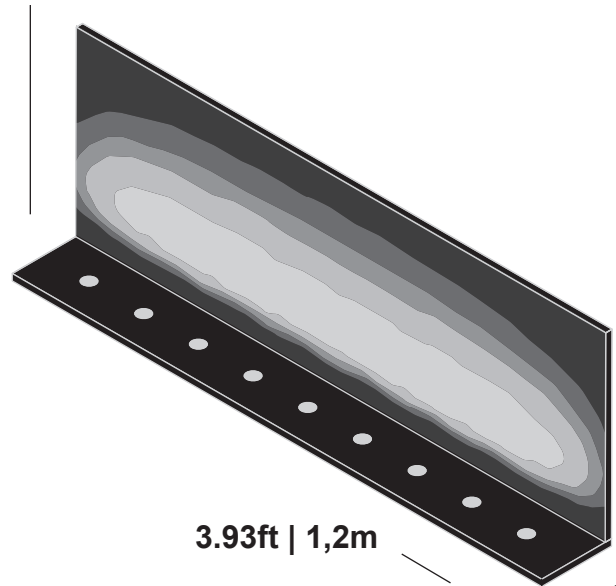
# Light Beam

Mini Wall Washer

1:6 ratio



h. 13.12ft | 4m



2.30ft | 0,7m

## OPTICAL PERFORMANCE GUIDE

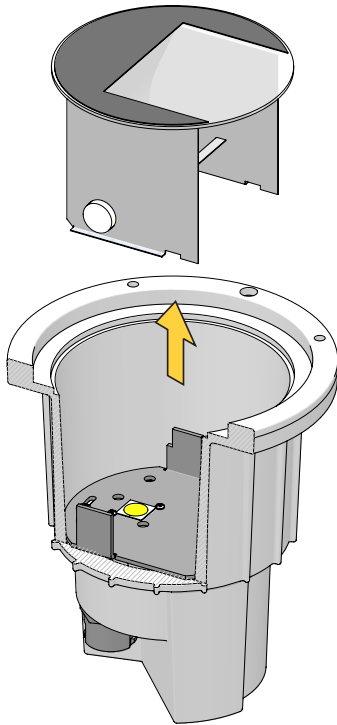
Illuminance [fc]



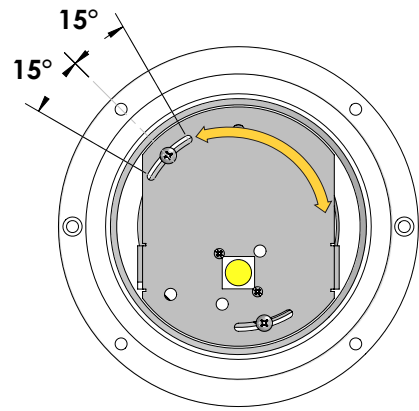
# Fixture Aim Internal Adjustment

If the Sleeve Installation is off target the fixture do allow for +/- 15° adjustment internally. Follow instructions below.

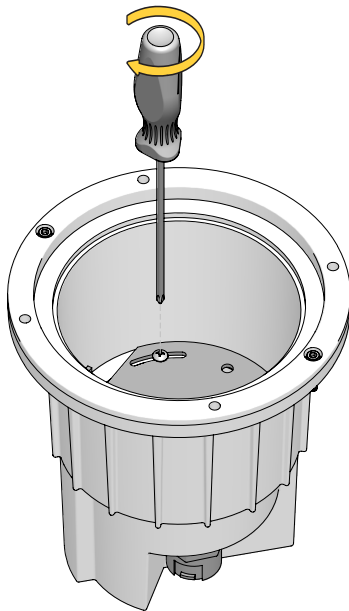
1



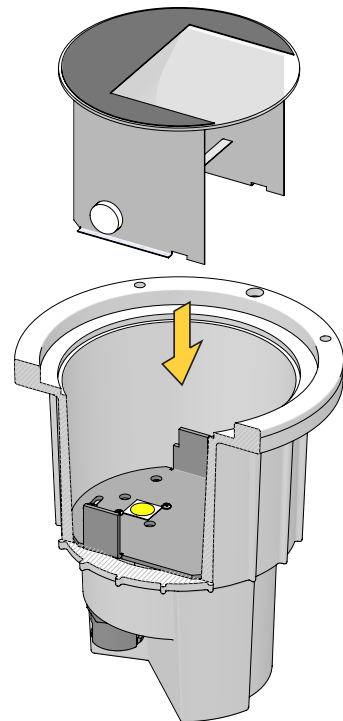
2



3



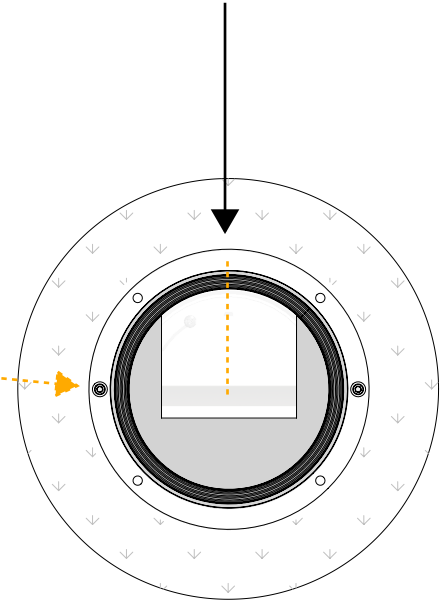
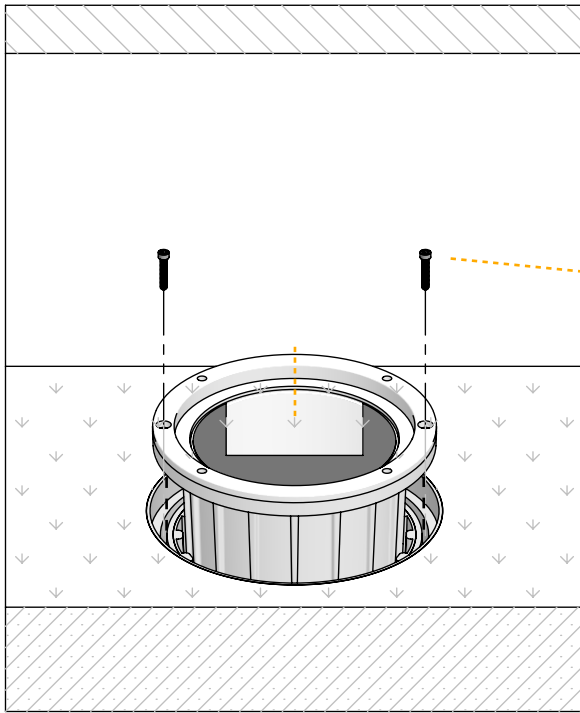
4



# Fixture Positioning

- Once fixture has been inserted into the PVC sleeve
  - Secure with the 2 screws provided in bag with LED fixture

Be-sure 0 deg Aim of Wall Wash reflector matches 0 deg aim of sleeve notch to align perpendicular to wall

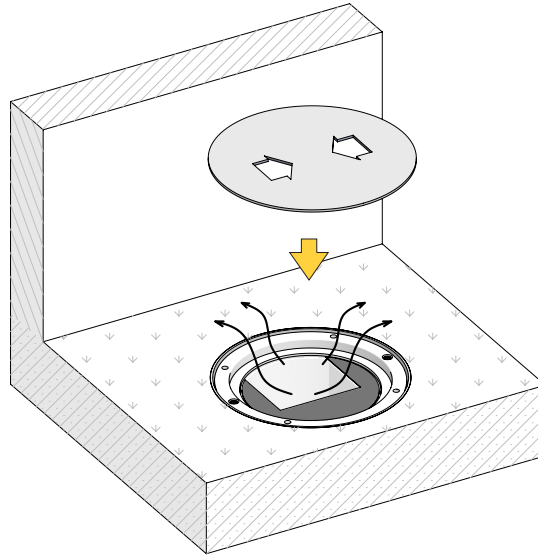


**SECURE FIXTURE TO SLEEVE**  
Installation Sleeve attachment screws supplied with fixture, leave screws at 1 or 2 turns loose so fixture can level up to trim ring.

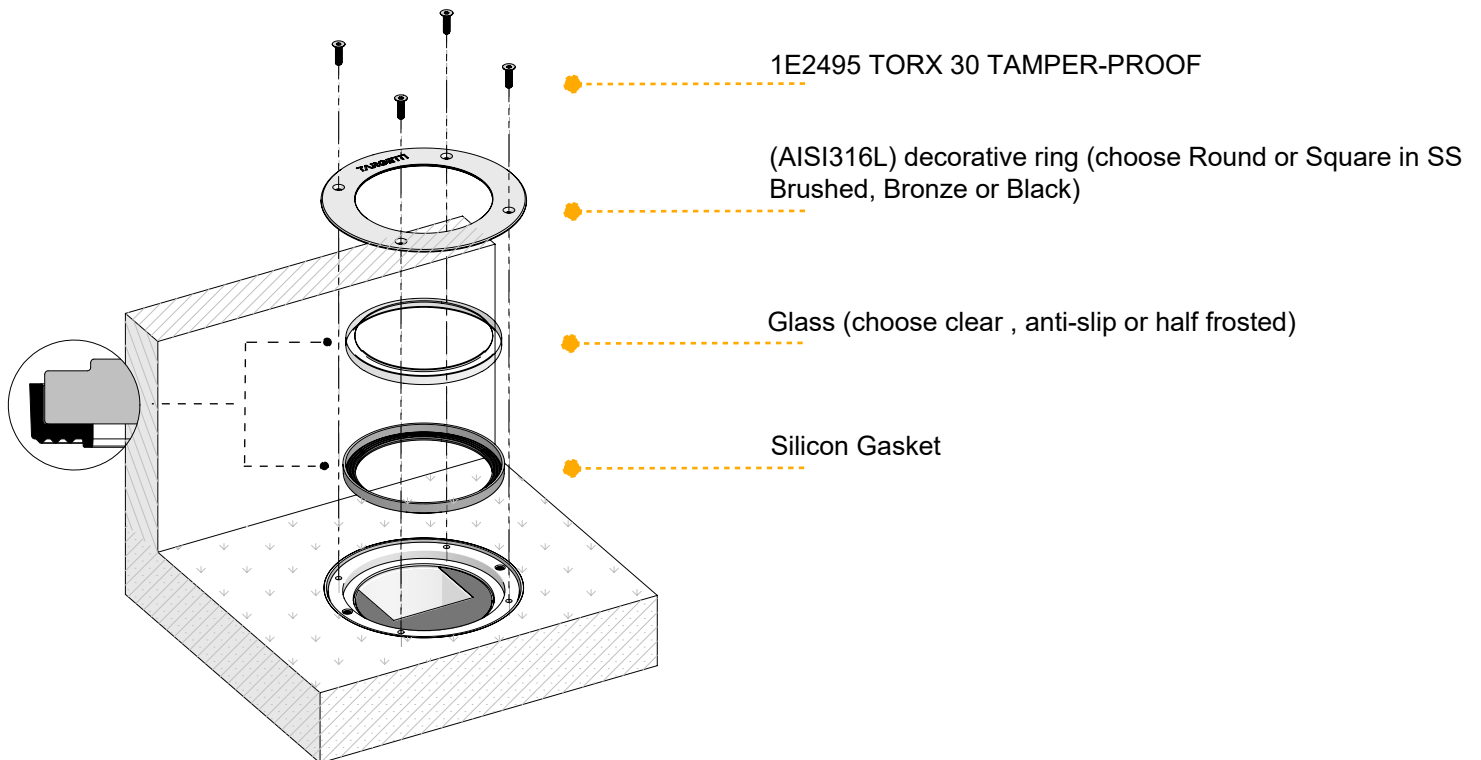
# Trim Installation Instructions

**Fixture** comes with trim ring installed. After trim ring is removed for optics adjustment, follow these next steps to complete a successful trim ring installation:

- Use a tamper-proof torx key (sold separately/optional but recommended) to remove the trim ring, and the glass. Access the optics holder for beam spread alignment.
- Once you set position of the optics to the desired lighting angle, **power on fixture and cover with supplied installation sleeve lid and let the fixture operate for 45 minutes before attaching glass and trim ring**

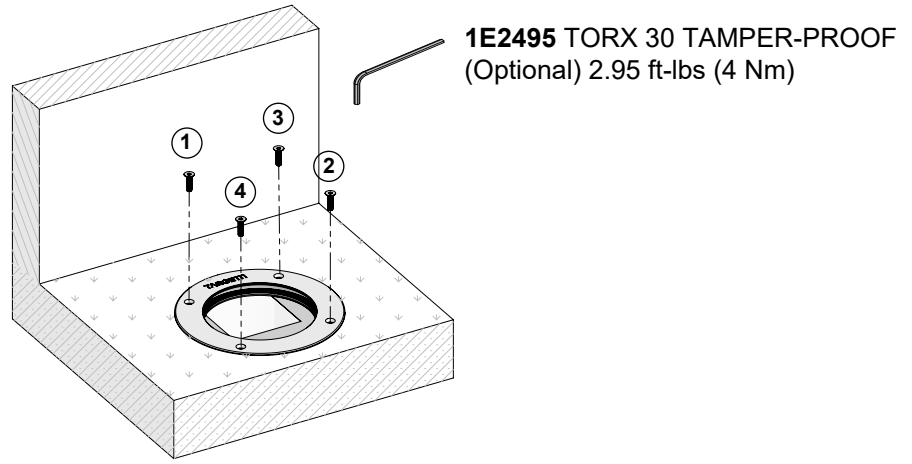


## Fixture Installation



# Trim Installation Instructions

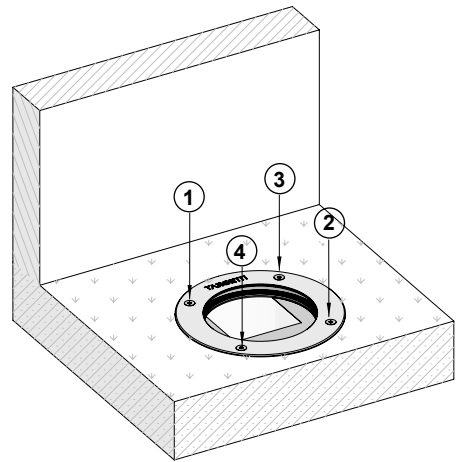
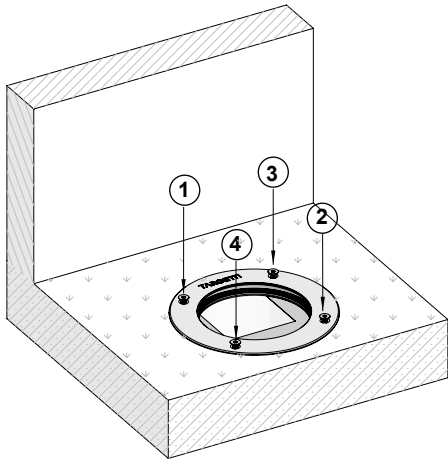
- When securing the tamper-proof torx screws
  - Apply only 2.95ft-lbs (4Nm) of torque to efficiently secure the fixture
  - Torque screws in X-box formation to provide a tight, even, and secure holding for the trim ring



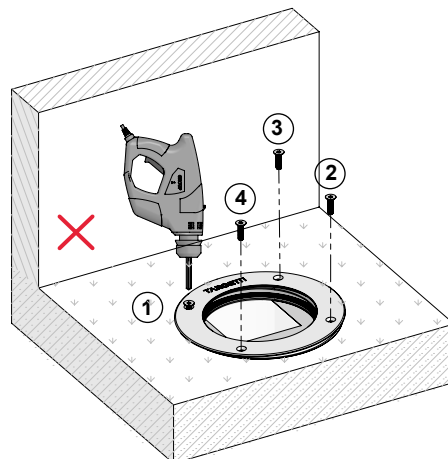
**Step1:**  
Thread screws down in X  
pattern to hold trim ring flat



**Step2:**  
Torque screws down in X  
pattern to tighten and seal



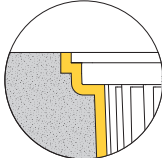
Do not use hand drill to  
screw each screw to tight  
one at a time This can chip  
glass or bunch gasket and  
prevent a proper seal



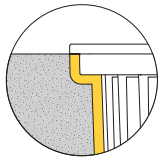
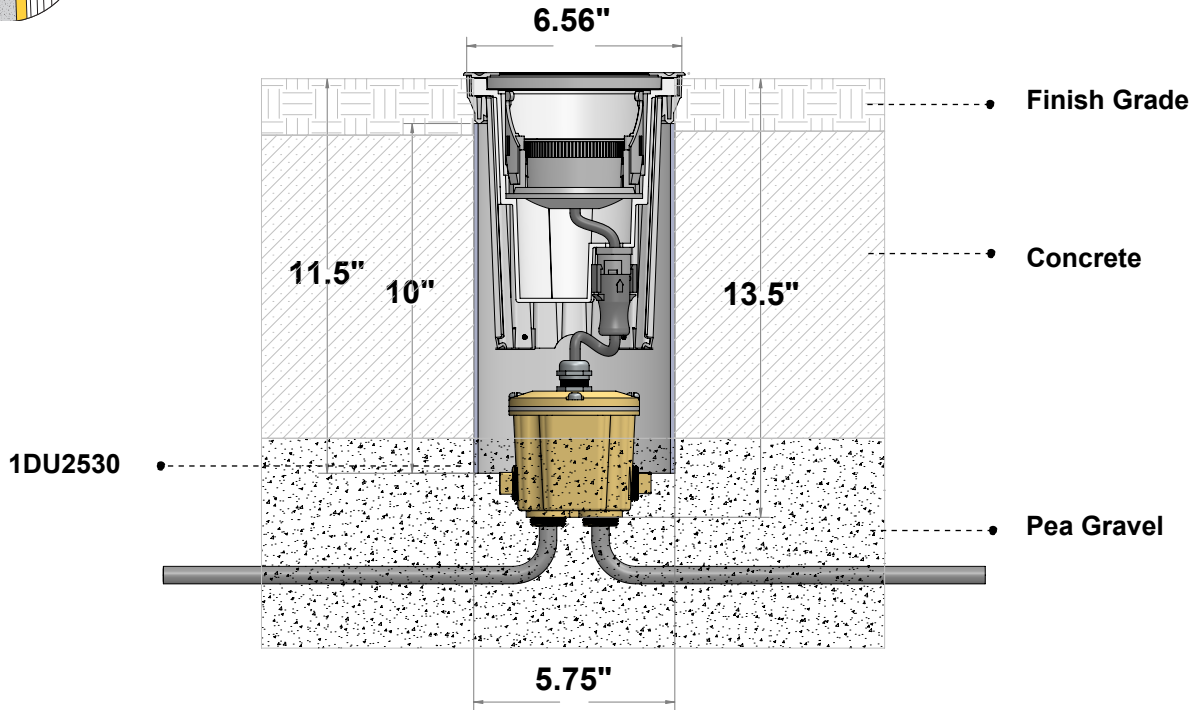


# Finished Installation Examples

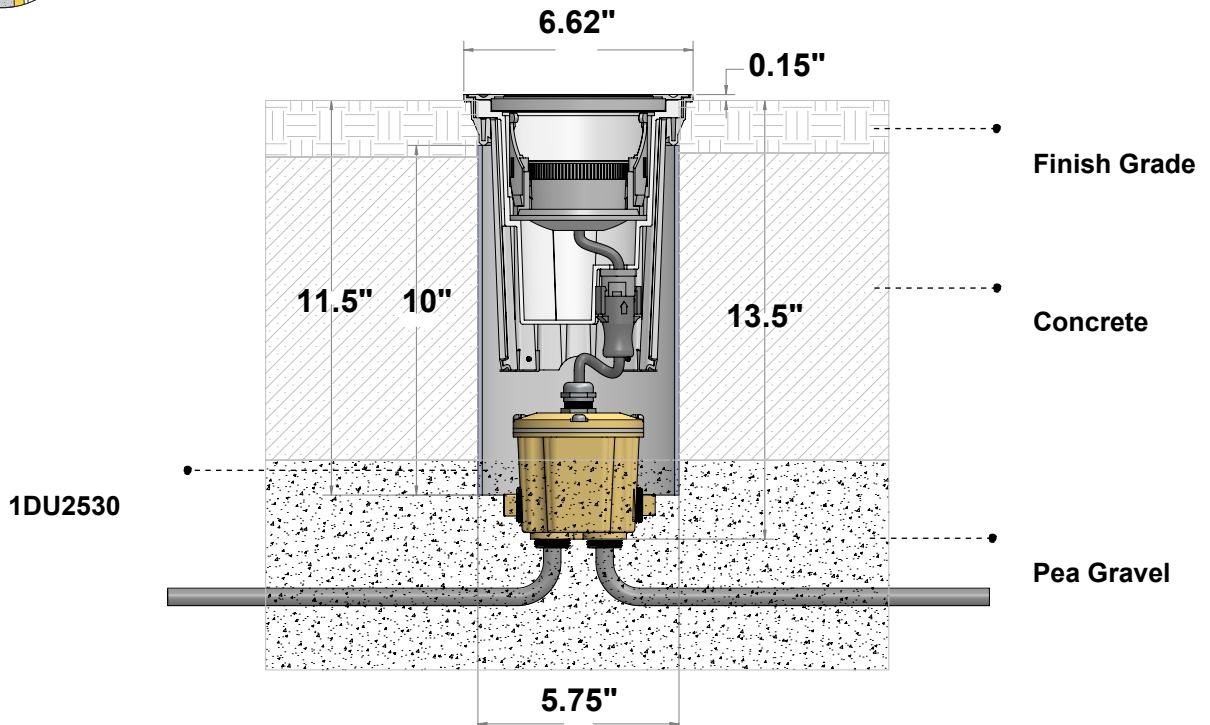
## CONCRETE POUR APPLICATION



**Flush Mount Sleeve Assembly**  
1DU2521 and 1DU2522 Sleeves

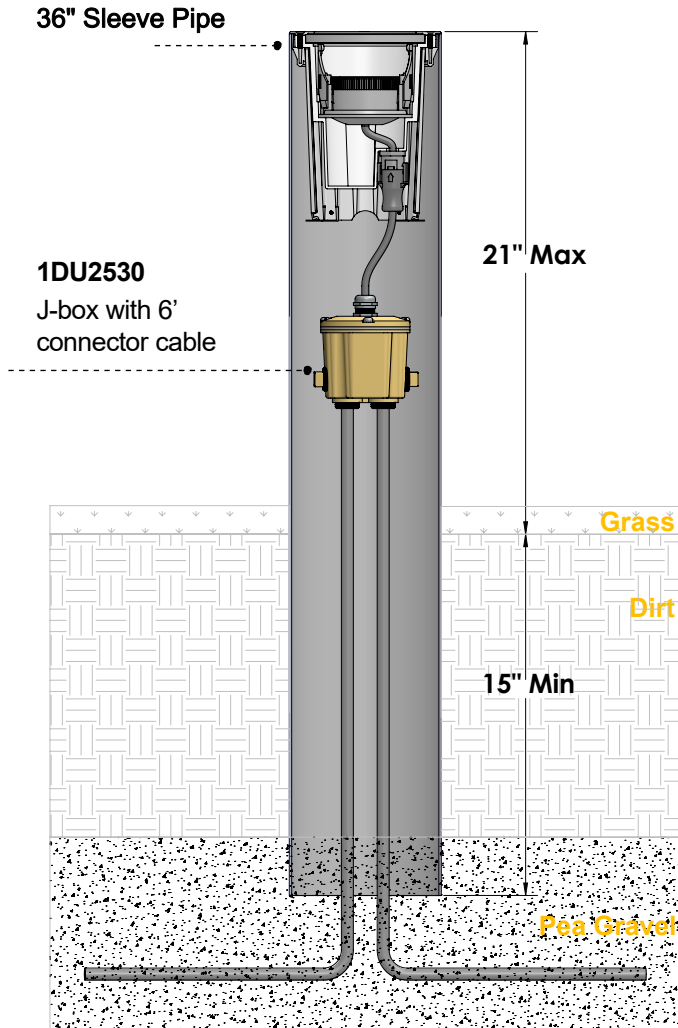


**Semi-Flush Mount Sleeve**  
Assembly 1DU2521 Sleeve Only

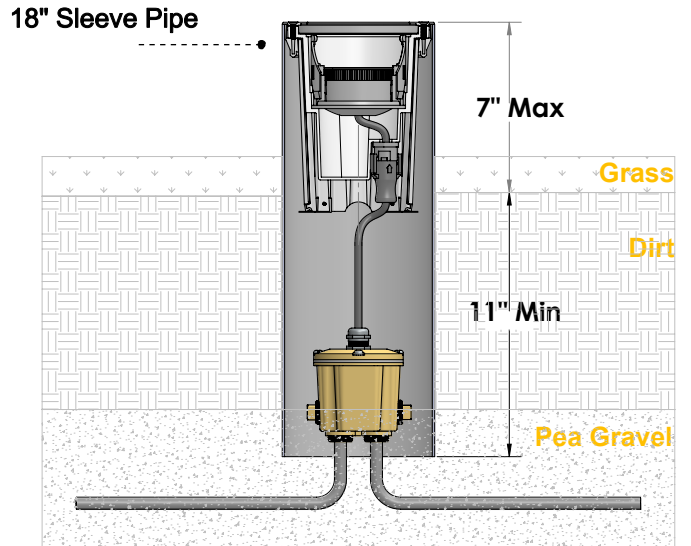


# Finished Installation Examples

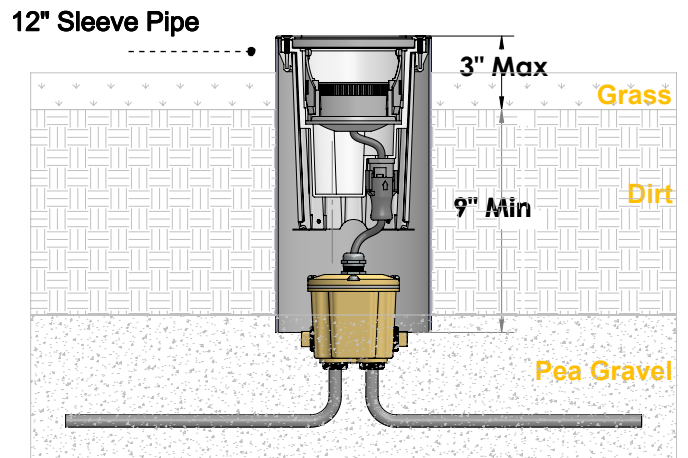
**RAISED TUBE INSTALLATION ASSEMBLY**  
 Recommended for Landscape Installation 1DU4344  
 with Round Trim ONLY



**RAISED TUBE INSTALLATION ASSEMBLY**  
 Recommended for Ground Level Installation  
 1DU434418 with Round Trim ONLY



**RAISED TUBE INSTALLATION ASSEMBLY**  
 Recommended for Turf Installation 1DU434412 with  
 Round Trim ONLY



---

## Maintenance

This fixture was designed and manufactured for a durable, long lasting use with minimum care. To ensure the maximum lifespan of this product, we encourage our customer to provide a quality visual inspection of the fixture and installation accessories every six months.

If there are any visible signs of issues (i.e moisture or dust) during the inspection, please clean any of the dust or moisture with a soft cloth and check to make sure that any of the fixtures are still operating normally. If there are any issues regarding the fixture please contact us as we will assist the situation at hand.

---

## Support

Any questions, problems, or comments you have please feel free to contact our Customer Service department during our business hours Monday-Friday 8am-5pm via: Email: [usaorders@targetti.com](mailto:usaorders@targetti.com)  
Phone: (714) 513-1991

Visit our website: <http://www.targettiusa.com>