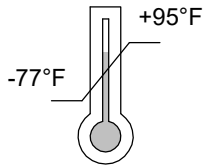
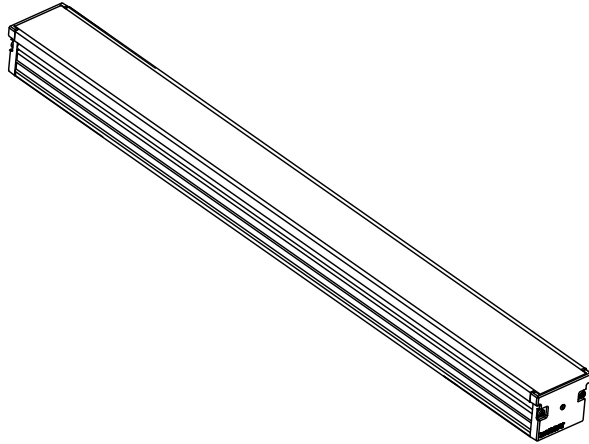




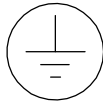
JEDI COMPACT PROJECTOR REMOTE

JECORP-(WW), (WG), (FL), (SP)

JEDI COMPACT REMOTE (WALL WASH),(WALL GRAZER), (FLOOD), (SPOT)



IP67 IK08



If in doubt about the symbols refer to catalog or website

WARNING

Remote Class II electronic power supply will power the fixture with low voltage. **DO NOT CONNECT FIXTURE TO LINE VOLTAGE. FAILURE TO COMPLY WILL RESULT IN VOID OF WARRANTY.** See Fixture Connection (page 3) for more information.
To ensure a maximum efficient use of the product, read the instructions before proceeding installation.



This fixture must be installed by a licensed and qualified electrician. The installer must comply with NEC and local building codes when installing the fixture.



Electrical current can cause painful shock, serious injury, or even death. Make sure you turn off the power supply, ground fixture(s), and make sure all electrical connections are correct and secured tightly.



For use in IP67 installations.



Keep the label of the original packaging if any eventual future claims are needed.

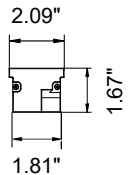
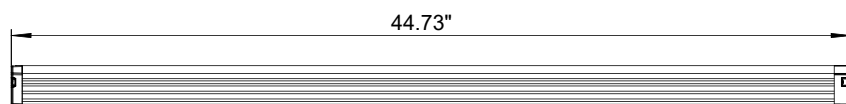
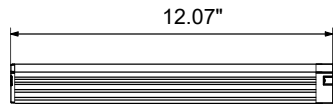
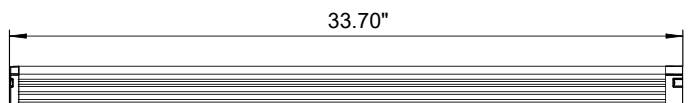
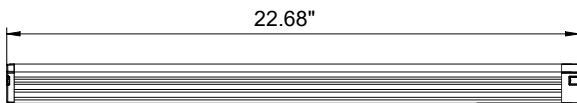
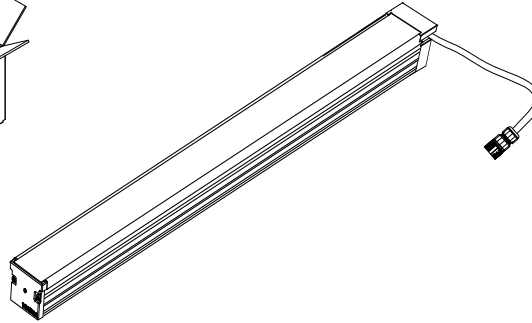
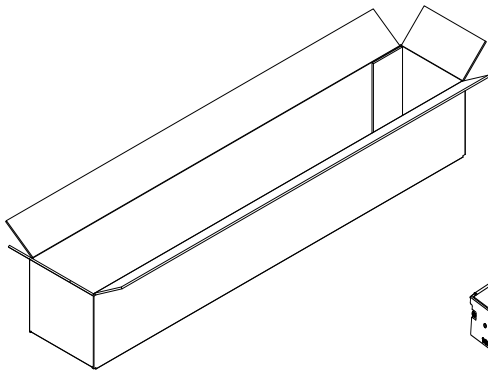


Table of Contents

Packaging Contents	Pg.2
Lead Cable / Power Box Description Fixture /	Pg.2
Power Supply Connections Remote Power	Pg.3
Supply / Enclosure Details Mounting Bracket	Pg.4
Instructions	Pg.5/6
Perma-Post Mounting Instructions	Pg.7
Maintenance / Support	Pg.8

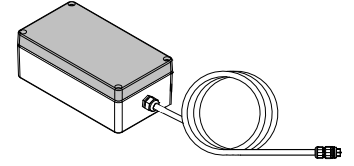
Packaging Contents



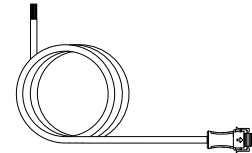
12" Fixture in 15"x6"x5" Box @2.5 lbs
 24" Fixture in 26"x6"x5" Box @4.1 lbs
 36" Fixture in 38"x6"x5" Box @5.5 lbs
 48" Fixture in 50"x6"x5" Box @7.6 lbs

12.07"/22.68"/33.70"/44.73"
 LED Fixture
 1 ea.

PS070/71/72/73
 Remote Power
 Supply 1 ea.

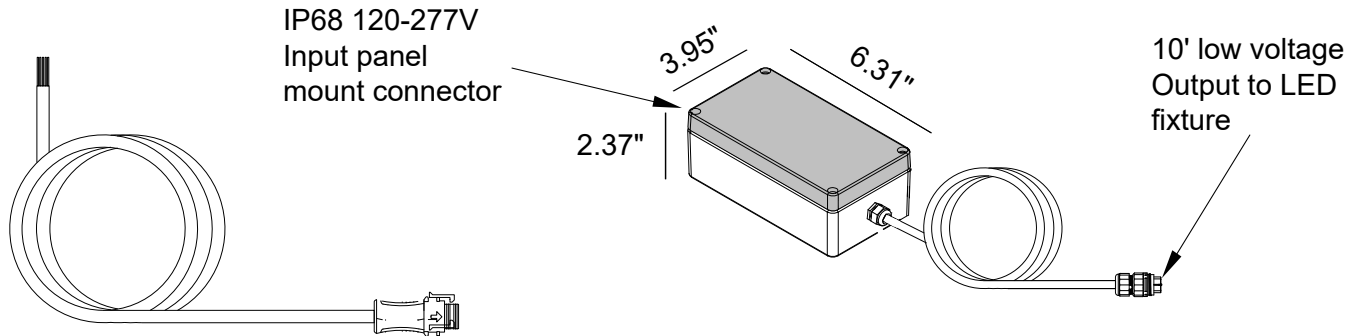


*Boxed separate
 from fixtures



IP68 120/277V Lead
 cable included with
 Power Supply box 1 ea.

Lead Cable/Power Box Description

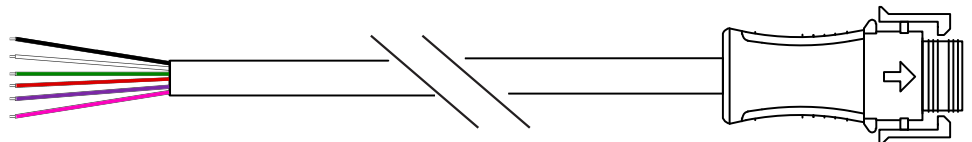


Standard 10ft Power/Dimming Lead Cable
 1 ea.

Cabled with Belden 16-6 600V cable and
 female IP68 DSM&T anti-wicking quick
 disconnect 10ft lead cable for Input

PS070/71/72/73
 Remote Power Supply

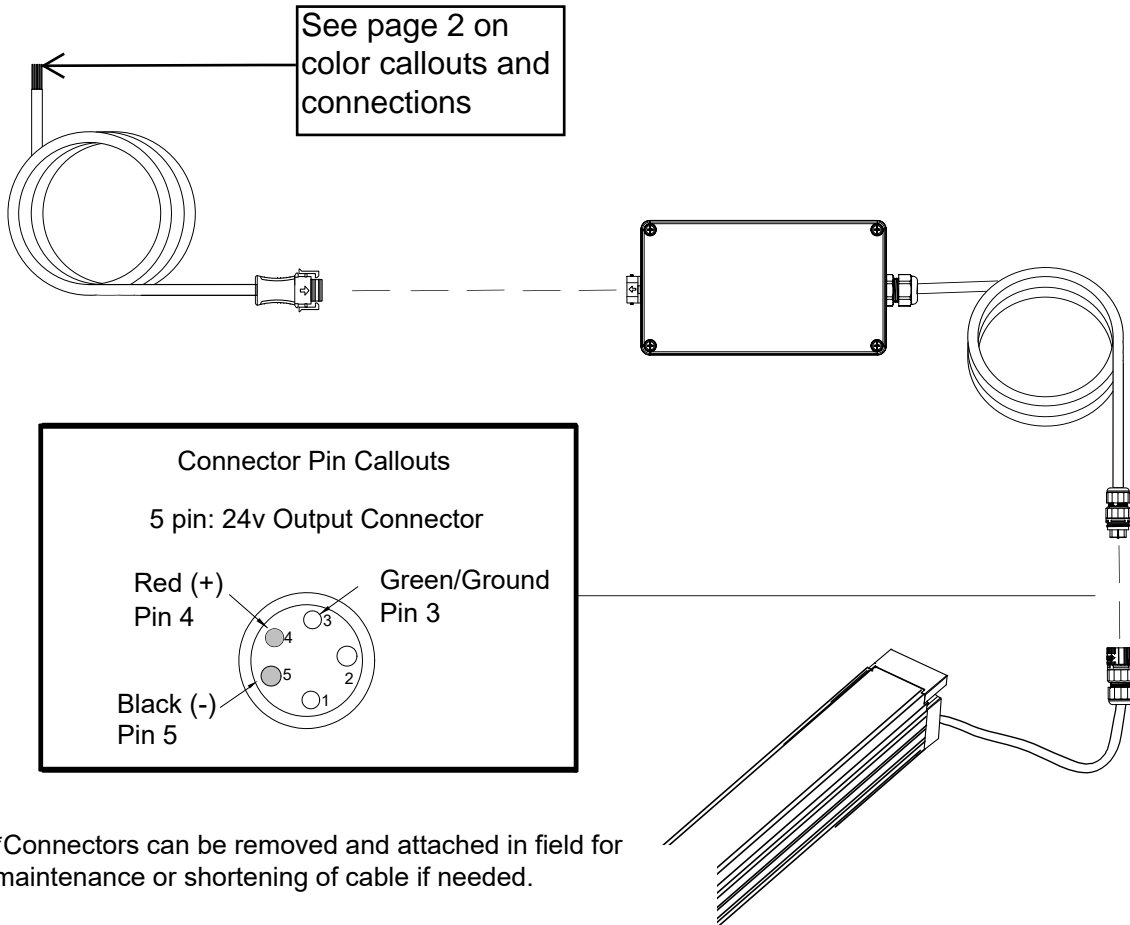
IP68 DSM&T anti-wicking
 quick disconnect
 Black = line voltage
 White = neutral
 Green = ground
 Red = Do not use
 Purple = positive 0-10V
 Pink = negative 0-10V
 600V rated.



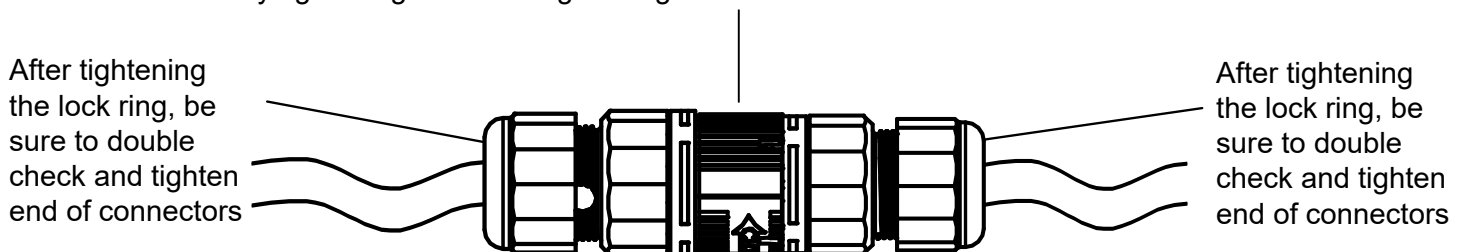
Fixture / Power Supply Connections

In order to connect the remote LED fixture, installer must locate the main power source first, once the source is located, the 10-foot IP68 DSM&T Power/Dimming Lead can be wired accordingly and secured using proper waterproof wire connectors.

- After the 10-foot IP68 DSM&T Power/Dimming Lead has been connected to main power source, proceed to connect it to remote power box (make sure the locking wings on the sides and alignment arrows are in position).
- The remote power box has a panel-mount IP68 DSM&T connector attached on the input side and a 10-foot fixture cable with an IP68 5-pole male connector on the output side for low voltage connection to fixture lead. (See images below for reference).
- Once output cable has been connected to fixture lead, secure connection by tightening center Lock Ring. (see lower image)



Secured by tightening the lock ring turning it to "close" direction to ensure a sealed connection.



Remote Power Supply / Enclosure Details

Remote power supply enclosure specifications. Each LED fixture will required 1 each remote power supply depending on the length of the fixture.

- Power supply wattage will be determined once the length of the LED fixture is specified (see tables below for reference)
- Maximum of 1 fixture per power supply allowed.

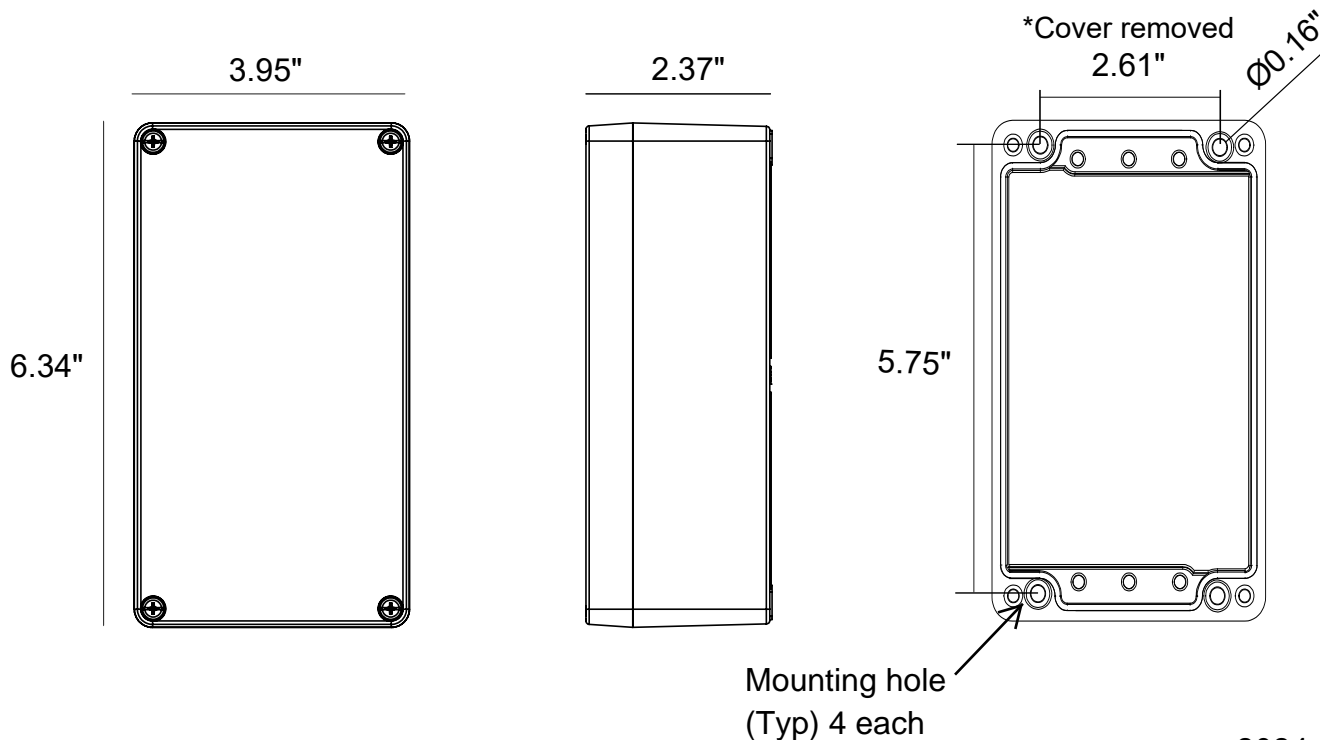
ENCLOSURE								
Part No.	Wattage	Control	Dim Range	Rating	In / Out Voltage	Certification	Dimensions	Description
PS070	20W (ONE 13"L Fixture)	0-10V	0%	IP66	120-277V 450mA-24V	UR Class 2	6.25" x 4.00" x 2.38"	EldoLED SOLOdrive with enclosure box, black finish.
PS071	30W (ONE 24"L Fixture)	0-10V	0%	IP66	120-277V 450mA-48V	UR Class 2	6.25" x 4.00" x 2.38"	EldoLED SOLOdrive with enclosure box, black finish.
PS072	50W (ONE 35"L Fixture)	0-10V	0%	IP66	120-277V 1350mA-24V	UR Class 2	6.25" x 4.00" x 2.38"	EldoLED SOLOdrive with enclosure box, black finish.
PS073	50W (ONE 46"L Fixture)	0-10V	0%	IP66	120-277V 900mA-48V	UR Class 2	6.25" x 4.00" x 2.38"	EldoLED SOLOdrive with enclosure box, black finish.

MAX REMOTE FIXTURE TO DRIVER DISTANCE

Fixture Length	Fixture Load	18 AWG	16 AWG	14 AWG	12 AWG
1ft	12W	90ft	145ft	235ft	375ft
2ft	24W	45ft	70ft	115ft	185ft
3ft	36W	30ft	50ft	80ft	130ft
4ft	48W	25ft	40ft	60ft	100ft

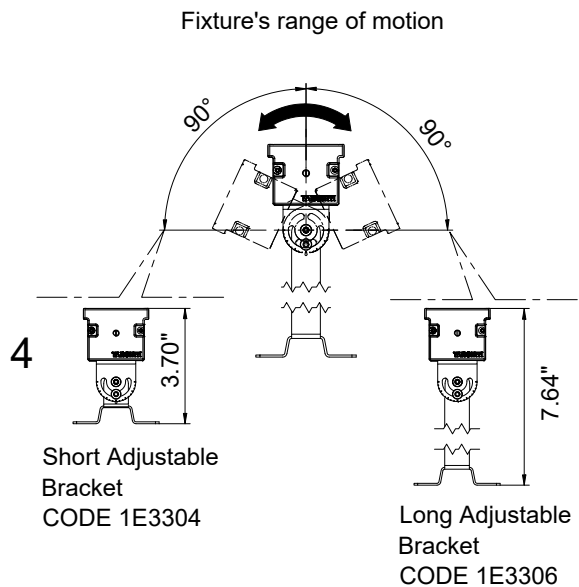
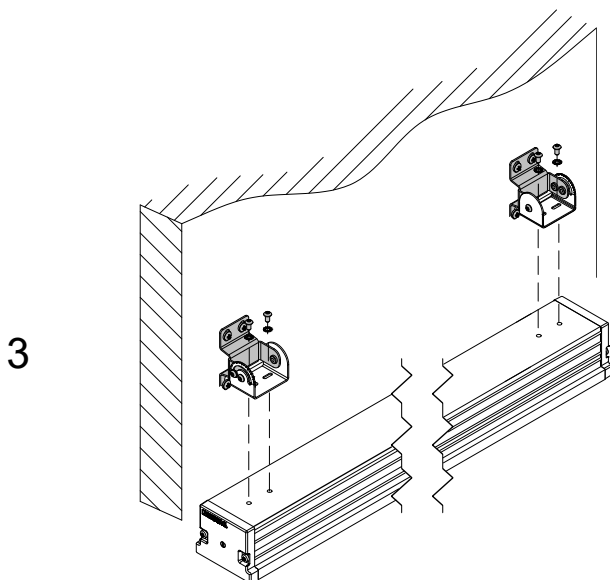
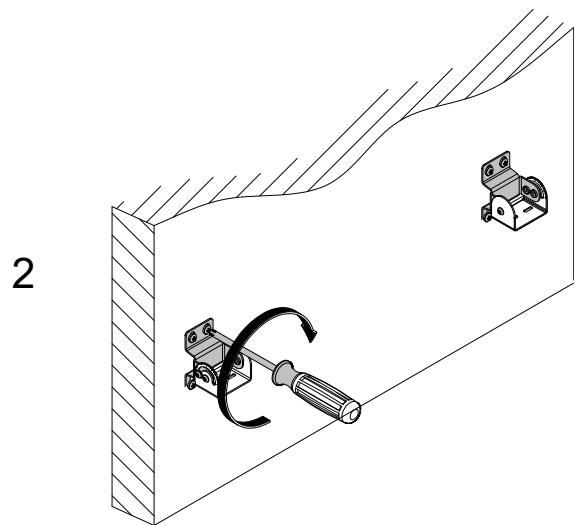
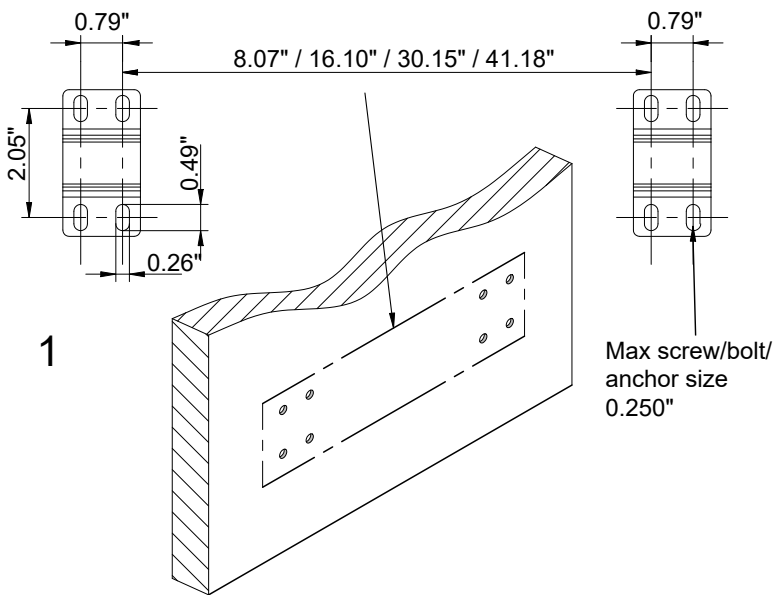
*Max voltage drop calculated to 3% using stranded copper conductor.

Remote power supply enclosure features 4 ea. mounting holes that are accessible only when the cover is removed. These holes will be used to install the box onto a solid surface accordingly. It also includes 4 ea. cover screws that can be removed when installing the enclosure and to get access to the power supply inside.



Mounting Bracket Instructions

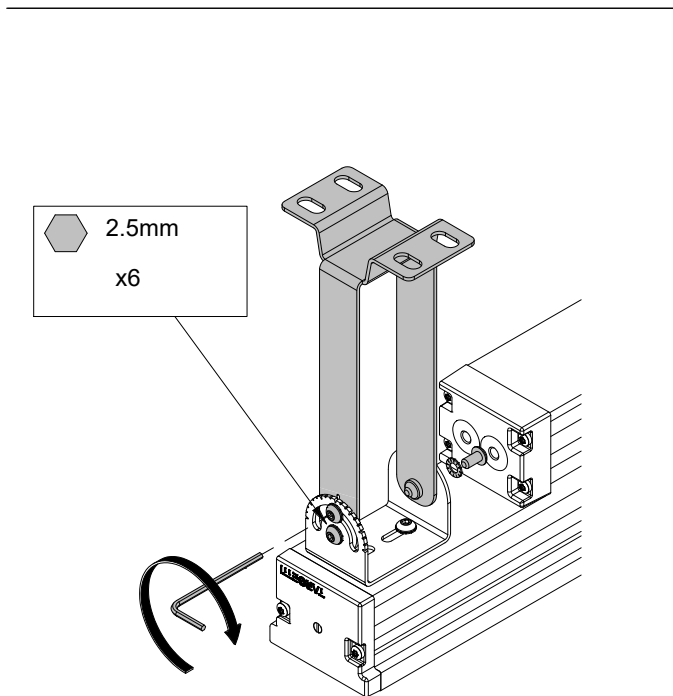
- Warning: For safety purposes, **DO NOT MOUNT FIXTURE BY YOURSELF**. These fixtures should be installed with at least a team of 2 qualified installers.
- Fixture comes with 1 of 2 different types of mounting brackets either short or long brackets
 - Short Adjustable CODE 1E3304 2.3"
 - Long Adjustable CODE 1E3306 5.96"
- The brackets will have to be level and installed on the mounting surface with a gap between the two brackets based on the size of the fixture. See Image #1. Once the gap between the brackets has been properly measured and the brackets have been leveled, use the appropriate fasteners or anchors to mount brackets onto mounting surface. (use correct screw size or anchor based on surface material).
- Place the LED fixture on the mounting brackets (previously installed) and screw the fixture on to the bracket, then lock the mounting bracket depending on desired aiming of the fixture. This fixture has a vertical range of motion of +/- 90 degrees for a wide range of light distribution.



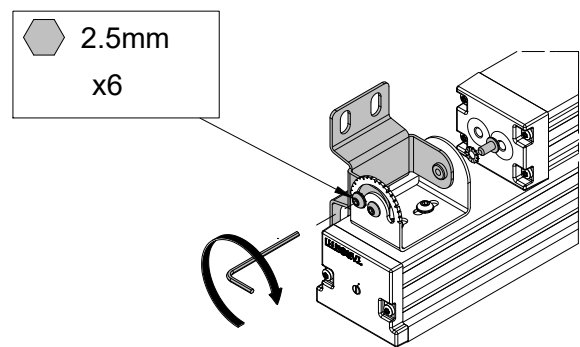
Mounting Bracket Instructions

Short Adjustable Assembly Instructions

- Installer will receive two brackets to install on mounting surface, one for each end for the LED fixture. See image #1 on page 4 for reference.
- This next step requires 2 installers, 1 to hold the fixture on position, the second installer to screw in the fixture onto the bracket.
- Lastly, adjust the aiming of the light to desired angle using the bracket adjustable screws and tighten to secure.



Long Adjustable
Bracket CODE:
1E3306



Short Adjustable
Bracket CODE:
1E3304

Long Adjustable Assembly Instructions

- Installer will receive two brackets to install on mounting surface, one for each end for the LED fixture. See image #1 on page 4 for reference.
- This next step requires 2 installers, 1 to hold the fixture on position, the second installer to screw in the fixture onto the bracket.
- Lastly, adjust the aiming of the light to desired angle using the bracket adjustable screws and tighten to secure.

Perma-Post Mounting Instructions

- Space out the distance of the two Perma-post based on the specific fixture length (see spacing distance lengths on drawing below). Use the NPT cable entry as the measuring point of the Perma-post spacing. Once the correct distance has been spaced out for that particular fixture, install the Perma-post onto the measured location.
- Once the Perma-post is mounted, attach the fixture on the mounting bracket on the Perma-post. With the appropriate fasteners, secure the bracket onto the mounting surface.
- Run the cable attached to the fixture through the NPT cable gland and with the IP68 connector, make the connections from the power feed to the fixture's remote power box cable.

PERMAPOST INSTALLATION DIAGRAM

Rotational bracket allows for 180° adjustability

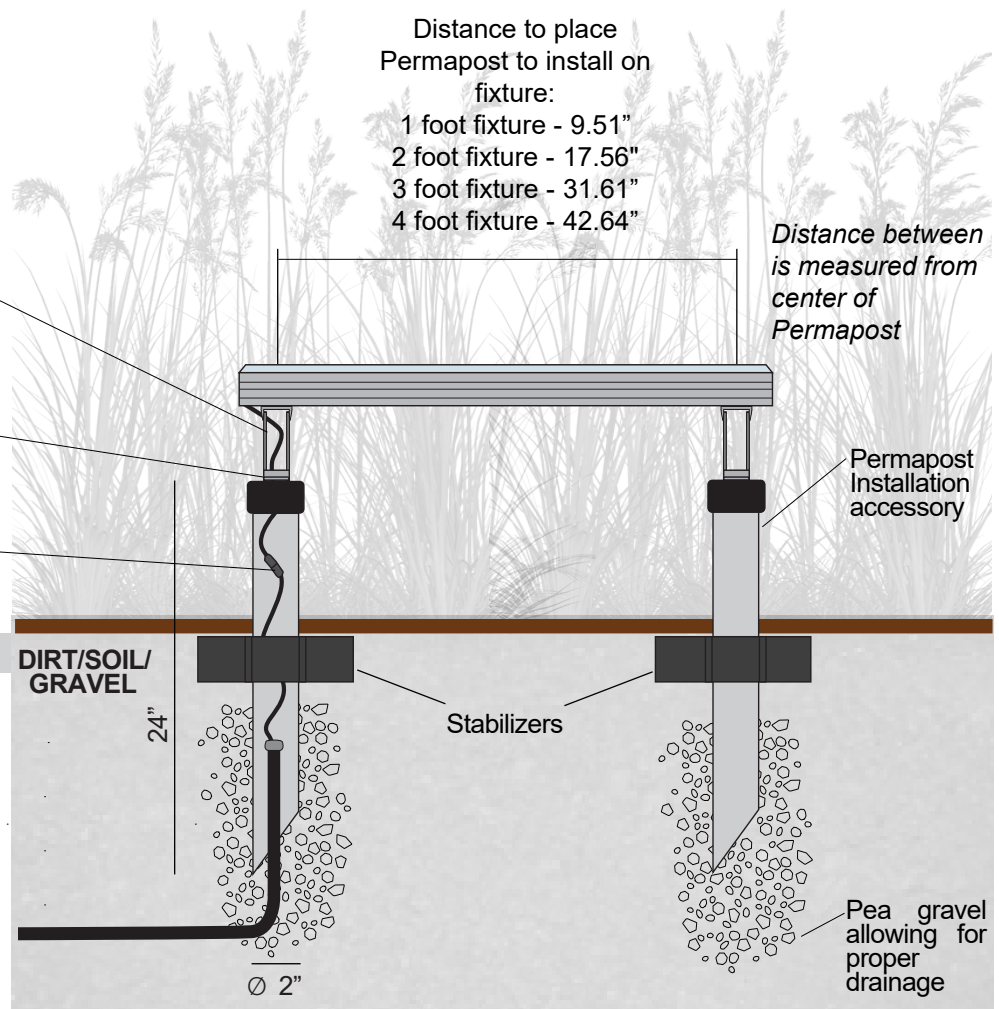
1/2" NPT cable entry. 2 each supplied with either single cable gland for non-dimming or double cable gland to include dimming.

IP68 connector supplied with Perma-post set for field attachment.

Distance to place Permapost to install on fixture:

- 1 foot fixture - 9.51"
- 2 foot fixture - 17.56"
- 3 foot fixture - 31.61"
- 4 foot fixture - 42.64"

Distance between is measured from center of Permapost



MAX REMOTE FIXTURE TO DRIVER DISTANCE

Fixture Length	Fixture Load	18 AWG	16 AWG	14AWG	12 AWG
1ft	12W	90ft	145ft	235ft	375ft
2ft	24W	45ft	70ft	115ft	185ft
3ft	36W	30ft	50ft	80ft	130ft
4ft	48W	25ft	40ft	60ft	100ft

*Max voltage drop calculated to 3% using stranded copper conductor.

Maintenance

This fixture was designed and manufactured for a durable, long lasting use with minimum care. To ensure the maximum lifespan of this product, we encourage our customer to provide a quality visual inspection of the fixture and installation accessories every six months. If there are any visible signs of issues (i.e moisture or dust) during the inspection, please clean any of the dust or moisture with a soft cloth and check to make sure that any of the fixtures are still operating normally. If there are any issues regarding the fixture please contact us as we will assist the situation at hand.

Support

Any questions, problems, or comments you have please feel free to contact our Customer Service department during our business hours Monday-Friday 8am-5pm via: Email: usaorders@targetti.com
Phone: (714) 513-1991

Visit our website: <http://www.targettiusa.com>