

DURA

LAMP

INSTALLATION INSTRUCTIONS

DURAFLEX NEON IP65 Outdoor 24VDC 4.2/2.8W/ft

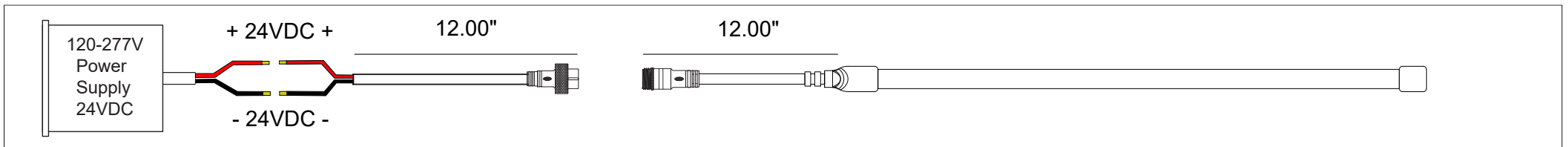
24V DC	Ra>95	50000h Life span	IP65
-----------	-------	---------------------	------

CODE: DFNSB-

WARNING
CONSTANT VOLTAGE 24VDC 96W MAX
Use only with Class 2 power unit Suitable
for Wet Locations

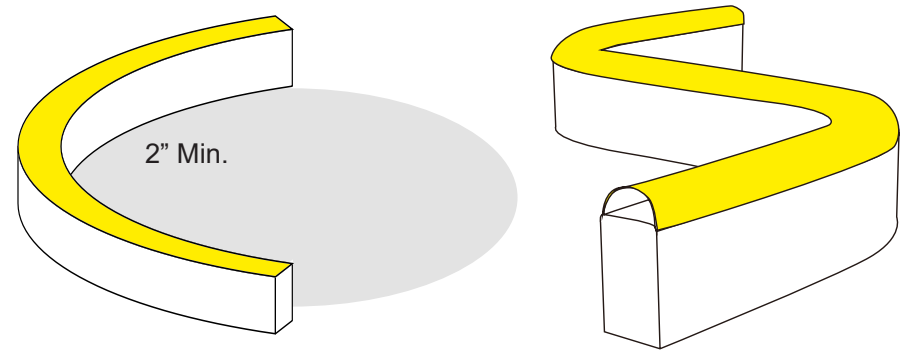
**USE PROPER UL LISTED CONNECTORS
DEPENDING ON THE ENVIROMENT**

Wiring Diagram



IMPORTANT SAFETY INSTRUCTIONS

- Read all instructions.
- Do not conceal or extend exposed conductors through a building wall.
- For low voltage exposed insulated conductor systems, do not install any part of this system less than 7 feet (2.2 m) above the floor (unless installed with Duralamp supplied channel or clips).
- To reduce the risk of fire and burns, do not install this lighting system where the exposed bare conductors can be shorted or contact any conductive materials.
- Make sure all connections are tight.
- Turn off electrical power before modifying the lighting system in any way.



If in doubt about the symbols please refer to catalog or website

FEED POINT / MOUNTING ACCESSORIES

***Each home run is shipped pre-wired with a lead cable attached at one end for 24V connections.**

The Duraflex product offers 3 different types of lead connector directions based on specification. Identify the each home run with the connector specified before installation begin. See images below.



KT09UVL1

Lead connector with straight feed point.



KT09UVL2

Lead connector with lateral feed point

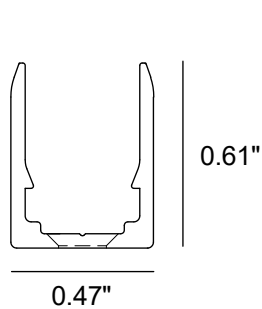


KT09UVL3

Lead connector with bottom feed point

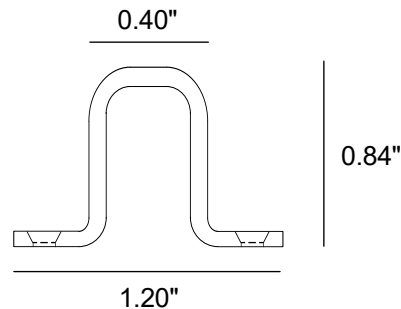
Mounting Accessory Options

Identify mounting accessory specified before installation begins. See images below.



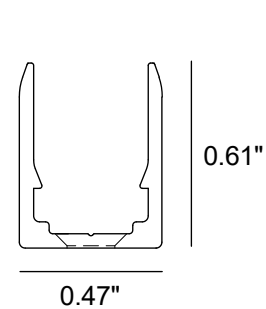
KT10UTC1

TOP Flex Bottom fixing clips.
Includes 5 clips and 5 screws.



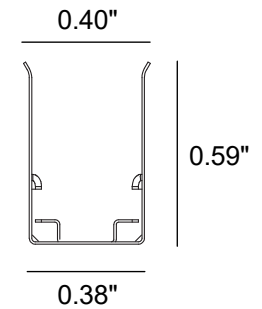
KT10UTS1

TOP Flex Transparent clips kit.
Includes 5 clips and 10 screws.



KT09UVP1

SIDE Flex 1 pcs. of aluminum channel length 38in and screws (termination end prep rest outside of the channel).



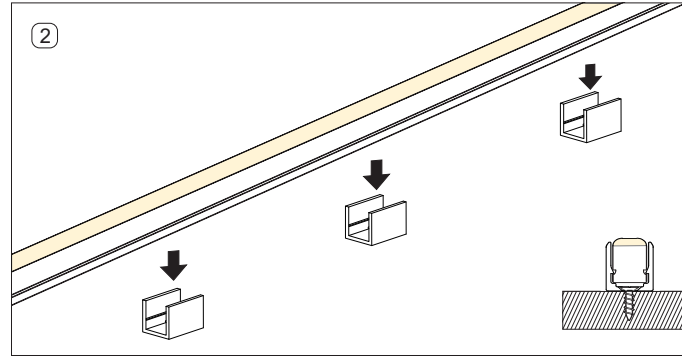
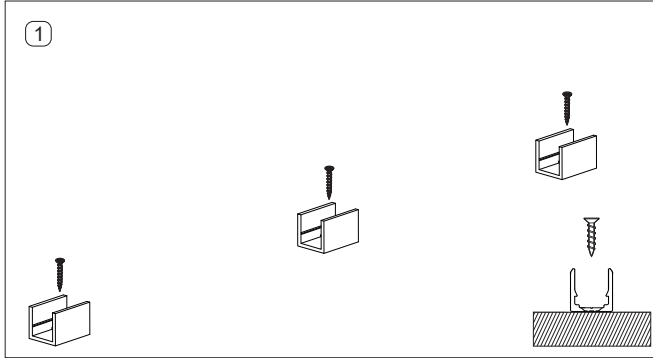
KTUVFP2

SIDE Flexible stamped stainless steel profile secured with screws, 1ea screw provided per foot. Available in 1ft lengths.

CLIPS INSTALLATION INSTRUCTIONS

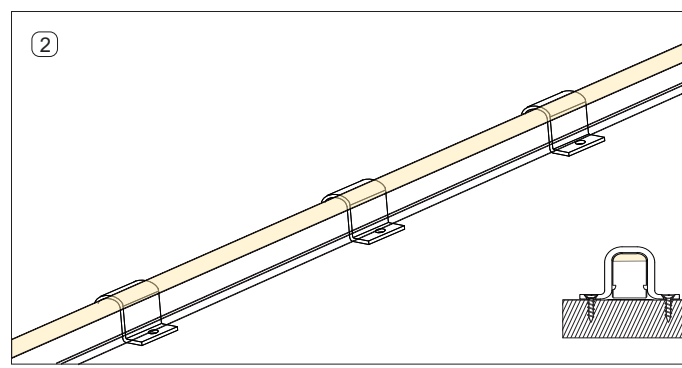
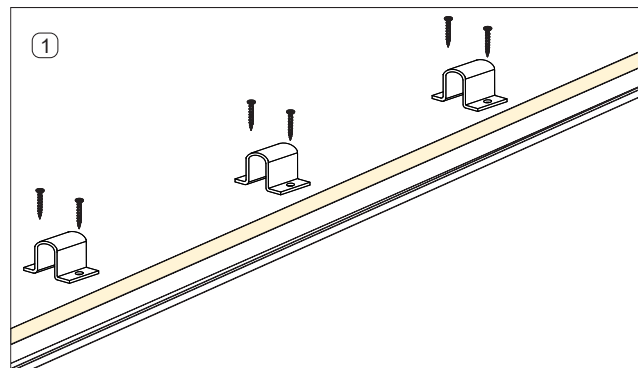
Insert Mounting Clips

All mounting clips must be installed by a qualified installer. The installer must comply with NEC and local building codes when installing this fixture. If white mounting clips with code: KT10UTC1 have been specified, the installer must first install the clips on the designated area based on specification. These clips are to be screwed in using proper screws based on mounting surface. Installer must align all clips and secure them before inserting the LED fixture in. See images for below reference.



Mounting Clips Over Fixture

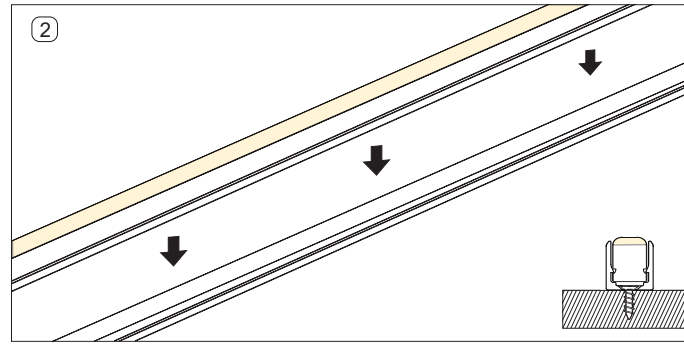
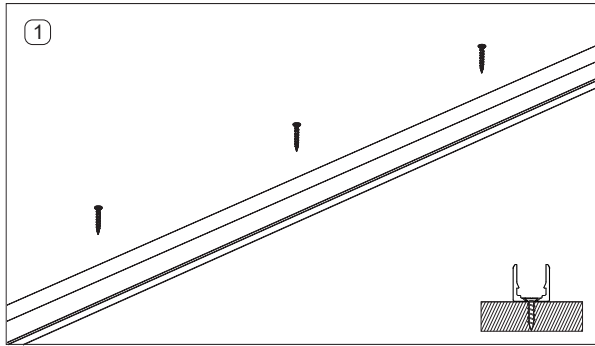
All mounting clips must be installed by a qualified installer. The installer must comply with NEC and local building codes when installing this fixture. If clear mounting clips with code: KT09UVS1 have been specified, the installer must first lay out the LED fixture and then install the clips over and secure them with 1 screw on each side. These clips are to be screwed in using the proper screws based on mounting surface. See images for below reference.



CHANNEL INSTALLATION INSTRUCTIONS

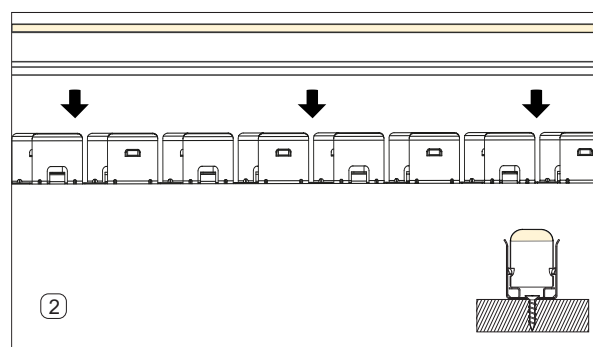
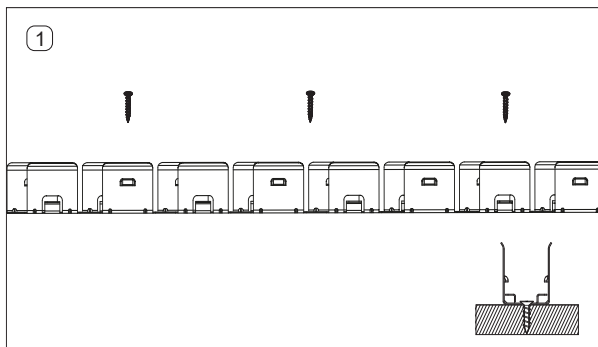
Aluminum Mounting Channel

All mounting channels must be installed by a qualified installer. The installer must comply with NEC and local building codes when installing this fixture. If aluminum mounting channel with code: KT09UVP1 has been specified, the installer must first install the mounting channel on the designated area based on specification. These channels are to be screwed in using the proper screws based on mounting surface. Installer must align all aluminum channels and secure them before inserting the LED fixture in. See images below for reference.



Stainless Steel Flexible Mounting Channel

This flexible channel must be installed by a qualified installer. The installer must comply with NEC and local building codes when installing this fixture. If stainless steel flexible channel with code: KTUVFP2 has been specified, the installer must first lay out the channel at the specified shape and then install the LED fixture in and secure the fixture by pressing down into the flexible channel. This channel is to be screwed in using the proper screws based on mounting surface. See image for below reference.



Maintenance

This fixture was designed and manufactured for a durable, long lasting use with minimum care. To ensure the maximum lifespan of this product, we encourage our customers to provide a quality visual inspection of the fixture and installation accessories every six months. If there are any visible signs of issues (i.e moisture or dust) during the inspection, please clean any of the dust or moisture with a soft cloth and check to make sure that all fixtures are still operating normally. If there are any issues regarding the fixture please contact us as we will assist the situation at hand.

Support

Any questions, problems, or comments you have please feel free to contact our Customer Service department during our business hours Monday-Friday 8am-5pm via: Email: usaorders@targetti.com
Phone: (714) 513-1991

Visit our website: <http://www.targettiusa.com>