



**DURALED
INTELLISTRAND Product
Code: INCL1FC-**

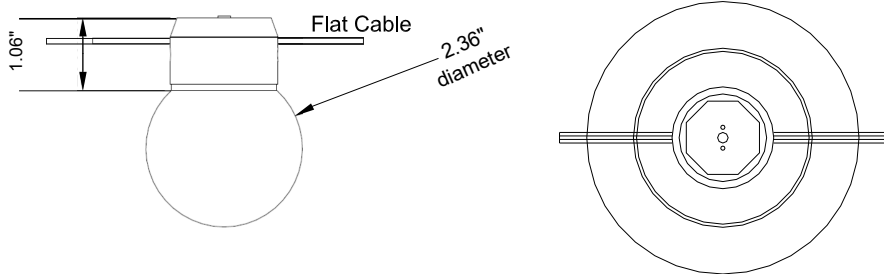


IMPORTANT SAFETY INSTRUCTIONS

THIS FIXTURE MUST BE INSTALLED BY A QUALIFIED ELECTRICIAN.

DURALAMP IS NOT RESPONSIBLE IF ITS FIXTURES ARE NOT INSTALLED ACCORDING TO NEC AND LOCAL BUILDING AND SAFETY STANDARDS.

PLEASE LEAVE A COPY OF THESE INSTRUCTIONS TO THE PERSON RESPONSABLE FOR THE MAINTENANCE OF THE INSTALLATION.



TECHNICAL SPECIFICATIONS:

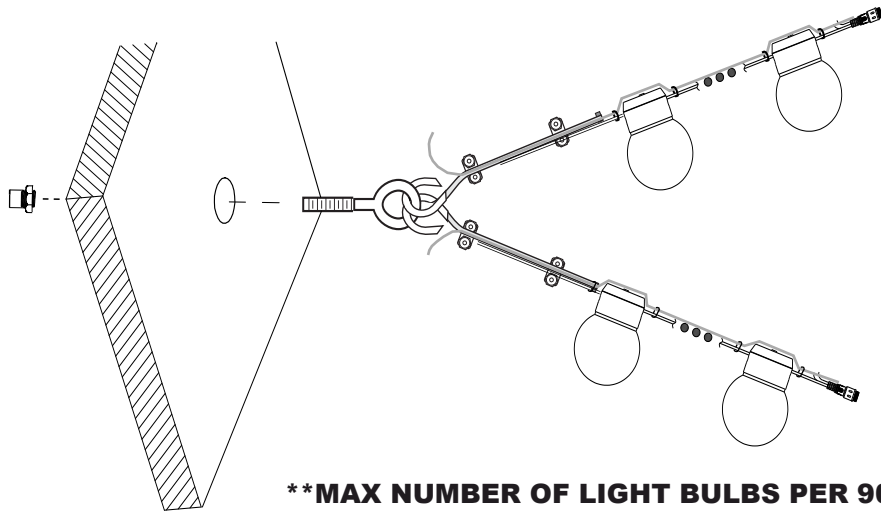
COLOR	RGB
GREY SCALE	256 LEVELS FOR EACH BIT/24BITS
BEAM ANGLE	320°
INPUT VOLTAGE	DC 24V
POWER CONSUMPTION	1.1 W FOR RGB
OPERATING TEMP	-20°C - +50°C
IP RATING	IP65
LIFE SPAN	50,000 HOURS
PROTOCOL	DMX 512 OVER POWER CONFIGURATION FOR RGB



If in doubt about the symbols please refer to catalog or website

INSTALLATION INSTRUCTIONS

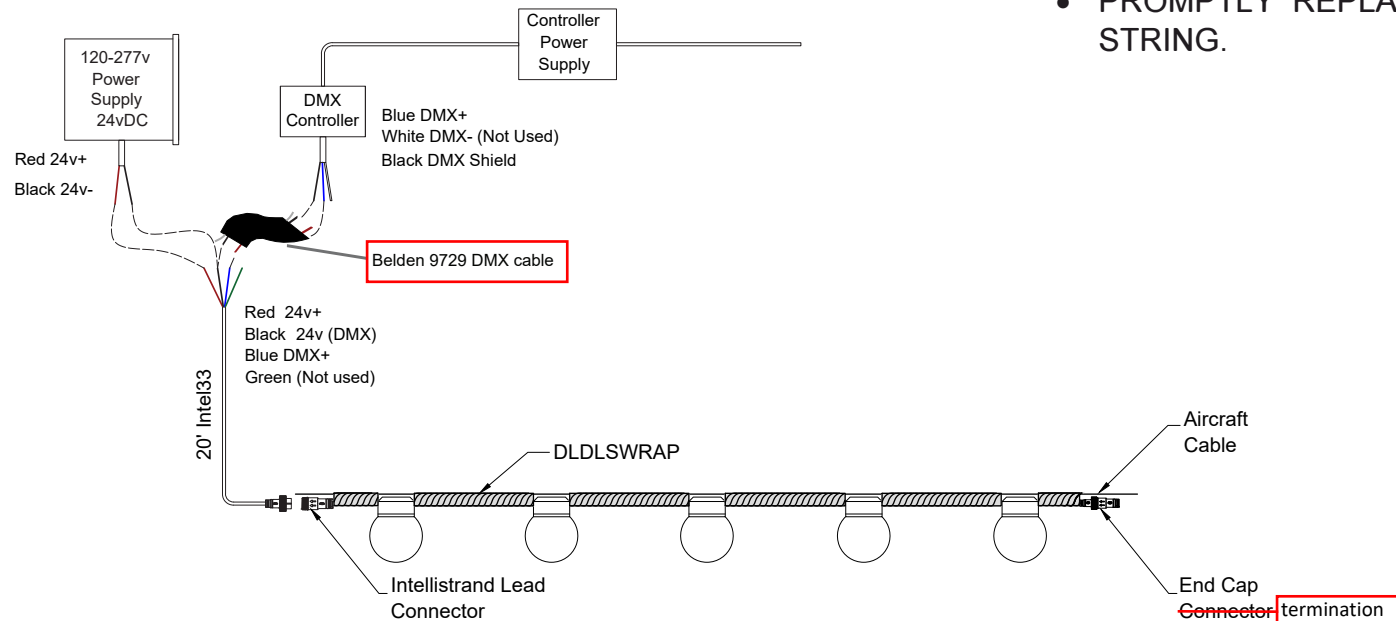
MOUNTING DIAGRAM



****MAX NUMBER OF LIGHT BULBS PER 90W (CLASS 2)
POWER BOX: 75 BULBS FOR RGB****

- SUSPEND THE INTELLISTRAND PROPERLY BY ATTACHING SUSPENSION CABLE (NOT PROVIDED) TO SOLID SUPPORT STRUCTURES, SUCH AS JOINTS BEAMS OR WALL STUDS. LIGHT SOCKETS MUST BE SUSPENDED SO THAT BULBS ARE FACING DOWN ONLY.
- AVOID DAMAGE TO THE INSULATION DURING INSTALLATION.
- DO NOT PIERCE OR OTHERWISE COMPROMISE WIRE OR SOCKET OUTER COVERING, JACKET, OR SHEATHING.
- PERIODICALLY INSPECT WIRE AND SOCKETS FOR DEGRADATION DUE TO WEATHER, UV LIGHT, OR OTHER DAMAGE.
- PROMPTLY REPLACE WORN OUT LIGHT STRING.

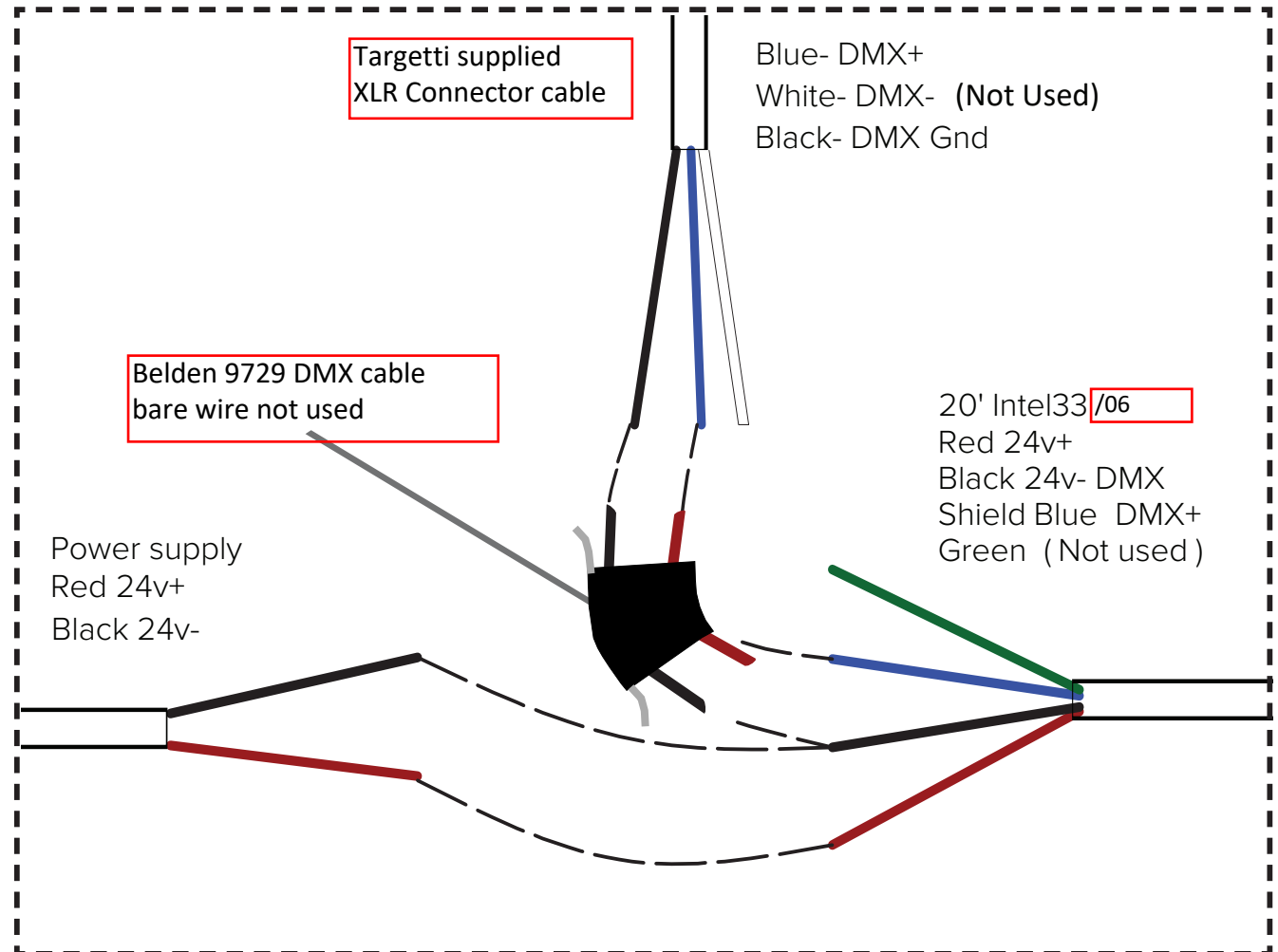
WIRING DIAGRAM RGB



INSTALLATION INSTRUCTIONS

WIRING DIAGRAM

- WIRING THE INTELLISTRAND DMX OVER POWER SIGNAL IS A DIFFERENT PROCESS THAN NORMAL DMX SIGNAL.
- START BY CONNECTING THE BLUE WIRE FROM OUR INTEL33/06 LEAD CABLE TO THE RED WIRE FROM THE BELDEN 9729 DMX CABLE.
- THEN CONNECT THE BLACK WIRE FROM OUR INTEL33/06 TO THE BLACK WIRE FROM THE BELDEN 9729 DMX CABLE AND THE BLACK WIRE FROM THE 24V POWER SUPPLY.
- LASTLY, CONNECT THE RED WIRE FROM OUR INTEL33/06 TO THE RED WIRE FROM THE 24V POWER SUPPLY.
- ***WHITE WIRE FORM DMX CONTROLLER IS NOT USED. GREEN WIRE FROM INTEL33/06 IS NOT USED. BARED WIRES FROM BELDEN 9729 ARE NOT USED. SEE IMAGE FOR REFERENCE***



INSTALLATION INSTRUCTIONS

Maintenance / Support

Maintenance

This fixture was designed and manufactured for a durable, long lasting use with minimum care. To ensure the maximum lifespan of this product, we encourage our customer to provide a quality visual inspection of the fixture and installation accessories every six months. If there are any visible sign of issues (i.e moisture or dust) during the inspection, please clean any of the dust or moisture with a soft cloth and check to make sure that any of the fixtures are still operating normally. If there are any issues regarding the fixture please contact us as we will assist the situation at hand.

Support

Any questions, problems, or comments you have please feel free to contact our Customer Service department during our business hours Monday-Friday 8am-5pm via: Email: usaorders@targetti.com
Phone: (714) 513-1991

Visit our website: <http://www.targettiusa.com>