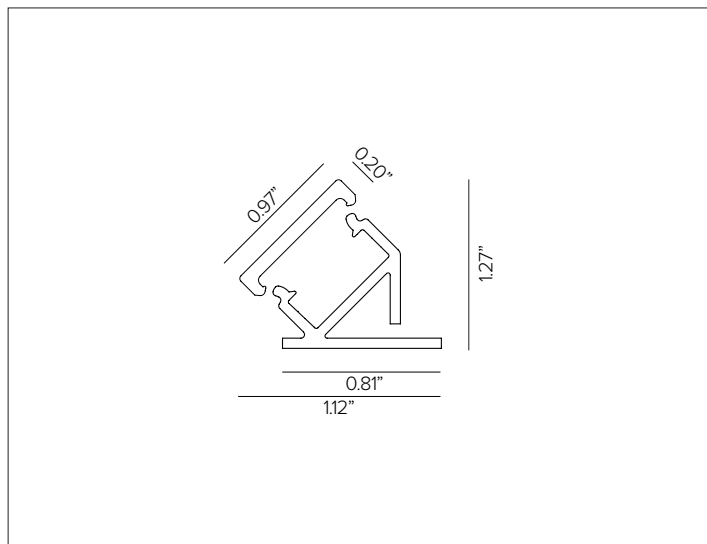
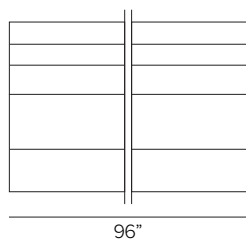
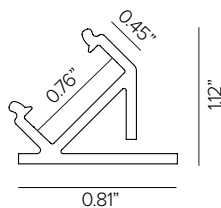


DLHV45MCH PROFILE

Two-Piece 45° PVC Tube



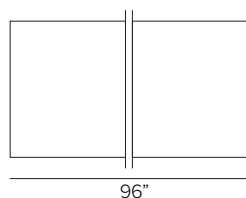
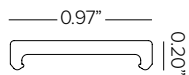
BASE



Two-piece 45° PVC mounting tube, white opaque base. Countersink screw holes, 12" O.C.

Part No. **DLHV45MCH-8**

COVER



Description	Two-piece 45° PVC mounting tube, cover (clear or frosted).			
Cover Diffusion	Clear Cover	10% Frosted	30% Frosted	60% Frosted
Part No.	DLHV45CVR-8C	DLHV45CVR-8F10	DLHV45CVR-8F30	DLHV45CVR-8F60