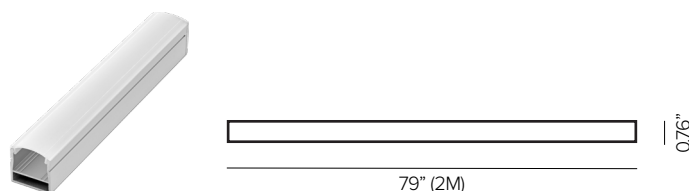
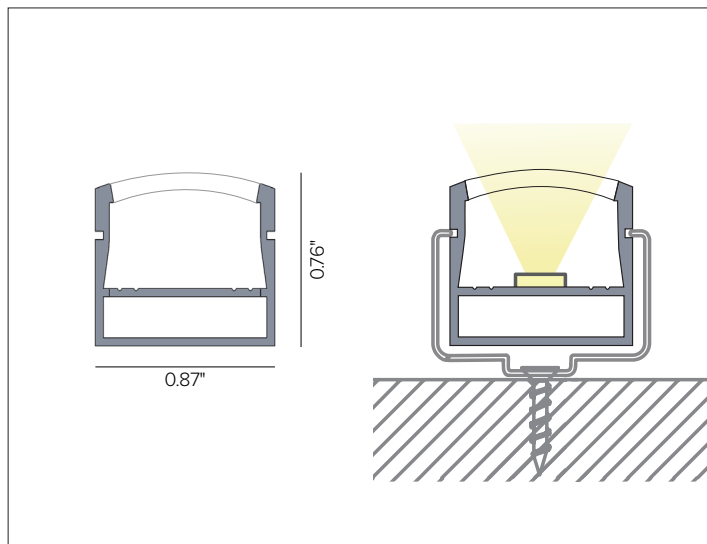


PRAP-U PROFILE

Aluminum Surface Mount Universal Profile



Shown with PRAP-U profile and KTRAP-UEC end cap.



Universal surface mount anodized aluminum rigid profile complete with lens.

Universal profile replacement lens, 5pcs. **(OPTIONAL)**

Lens	Opal Diffused	Asymmetric	Graze	Flood
Optic	120°	89° x 92°	24°x94°	38° x 103°
Part No.	PRAP-U	PRAP-UASYM	PRAP-U30	PRAP-U60

Lens	Opal Diffused	Asymmetric	Graze	Flood
Optic	120°	89° x 92°	24°x94°	38° x 103°
Part No.	PRU-LENS	PRULENSASYM	PRULENS30	PRULENS60

ACCESSORIES



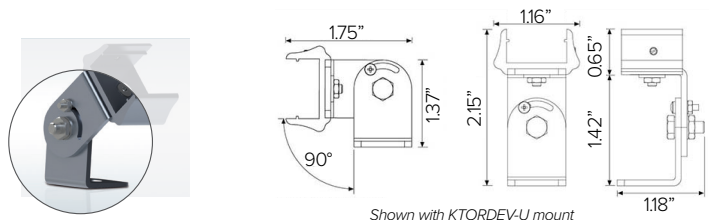
Description Stainless steel mounting clips, 10pcs. Recommended to use 4pcs per each 2M profile.

Part No. **KTRU-CL**



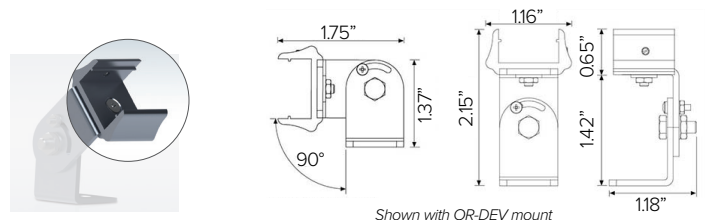
Description PRAP-U end cap kit, silver finish. 5pcs without hole and 5pcs with hole for connection cable.

Part No. **KTRAP-UEC**



Description Adjustable steel support bracket, 2pcs. **To be completed with KTORDEV-U.** Recommended to use 4pcs per each 2M profile.

Part No. **OR-DEV**



Description Aluminum mount for PRAP-U profile, 2pcs. **To be completed with OR-DEV.** Recommended to use 4pcs per each 2M profile.

Part No. **KTORDEV-U**