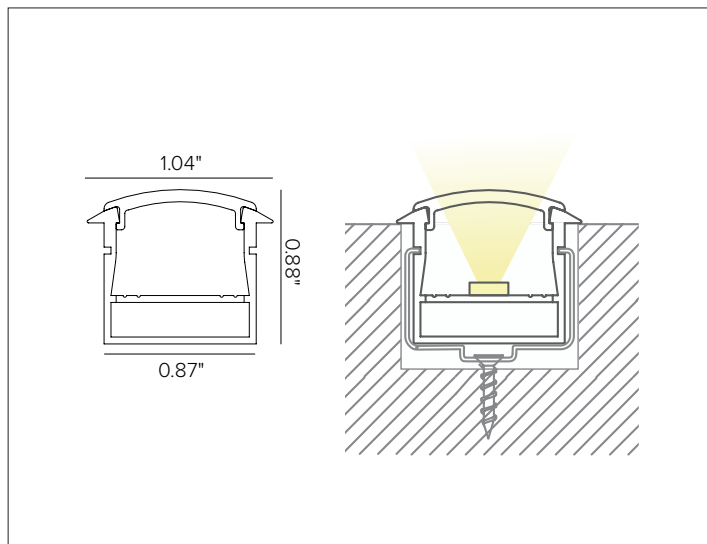
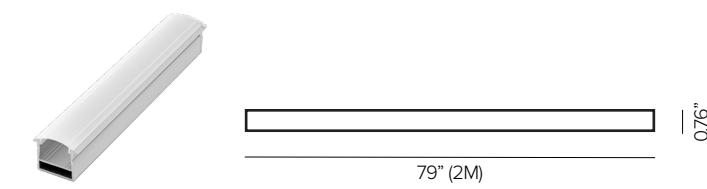


PRIN-U PROFILE

Aluminum Flush Mount Universal Profile



Shown with PRIN-U profile and KTRPRIN-UEC end cap.



Universal flush mount anodized aluminum rigid profile complete with lens.

Replacement lens, 5pcs. **(OPTIONAL)**

Lens	Opal Diffused	Asymmetric	Graze	Flood
Optic	120°	89° x 92°	94°x24°	103° x 38°
Part No.	PRIN-U	PRIN-UASYM	PRIN-U30	PRIN-U60

Lens	Opal Diffused	Asymmetric	Graze	Flood
Optic	120°	89° x 92°	94°x24°	103° x 38°
Part No.	PRU-LENS	PRULENSASYM	PRULENS30	PRULENS60

ACCESSORIES



Description Stainless steel mounting clips, 10pcs. Recommended to use 4pcs for per each 2M profile.

Description PRIN-U end cap kit, silver finish. 5pcs without hole and 5pcs with hole for connection cable.

Part No. **KTRPRU-CL**

Part No. **KTRPRIN-UEC**