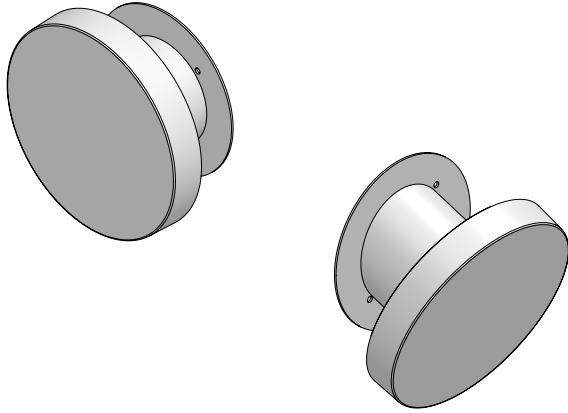




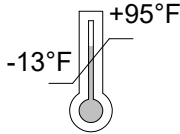
CHIOBO

CWF41_
CWA41_



If in doubt about the symbols please refer to catalog or website

120/277V
50/60Hz



WALL MOUNT LED FIXTURE

WARNING

To ensure a maximum efficient use of the product, read the instructions before proceeding installment.



This fixture must be installed by a licensed and qualified electrician. The installer must comply with NEC and local building codes when installing the fixture



Electrical current can cause painful shock, serious injury, or even death. Make sure you turn off the power supply, ground fixture(s), and make sure all electrical connections are correct and secured tightly

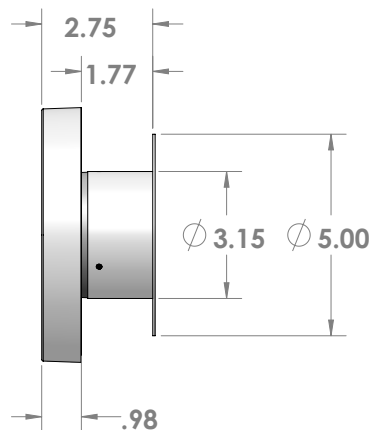


For use in IP66 installations.



Keep the label of the original packaging if any eventual future claims are needed

FLAT



ANGLED

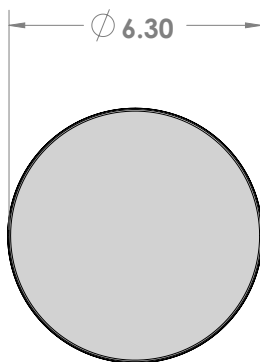
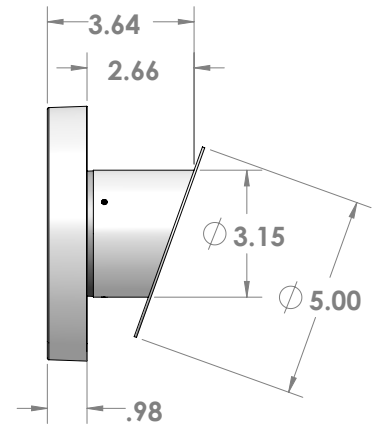


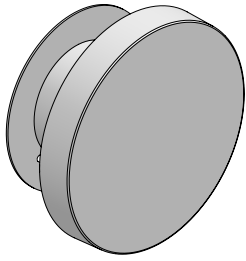
Table of Contents

Packaging Contents
Mounting Base Options
Maintenance / Support

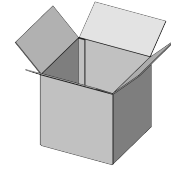
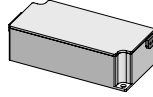
Pg.2
Pg.3/6
Pg.7

Packaging Contents

CWF41_
FLAT

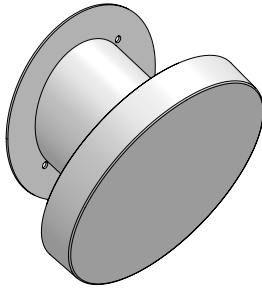


DRIVER
20W 500mA 24V
INCLUDED

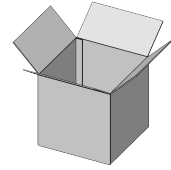
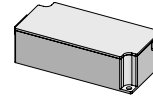


Box 8"x8"x5" @2.3lbs

CWA41_
ANGLED



DRIVER
20W 500mA 24V
INCLUDED



Box 8"x8"x5" @2.3lbs

 Ferrite Dark Grey

 Black

 White

 Bronze

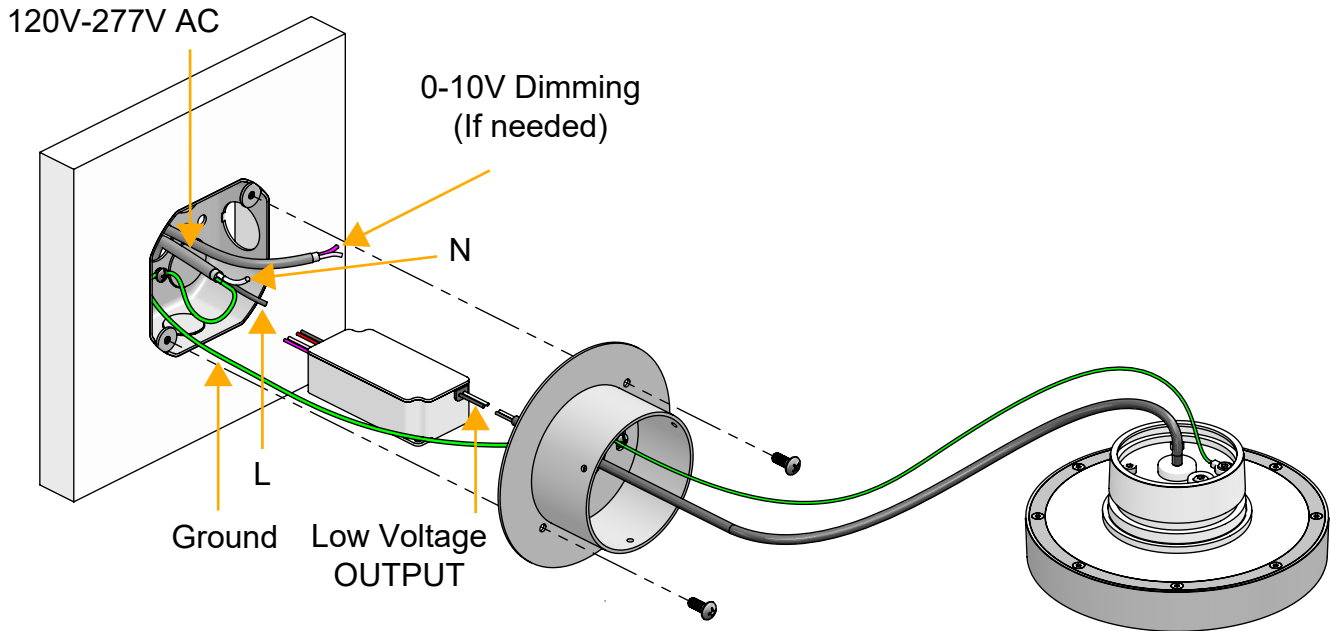
 Sandstone Grey

 Heritage Brown

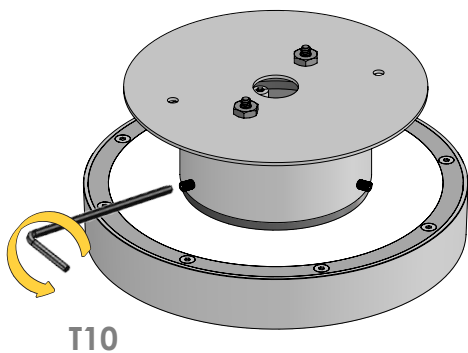
Mounting Fixture

With Flat Head Fixture

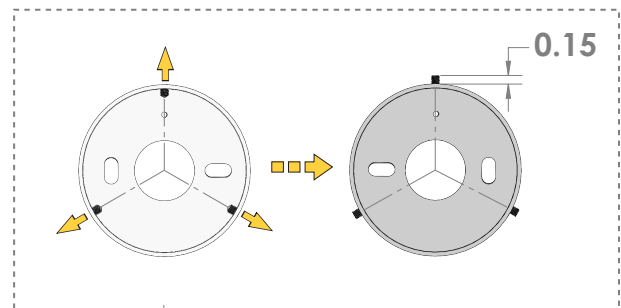
CWF41-



- 1 Remove fixture head from mounting assembly

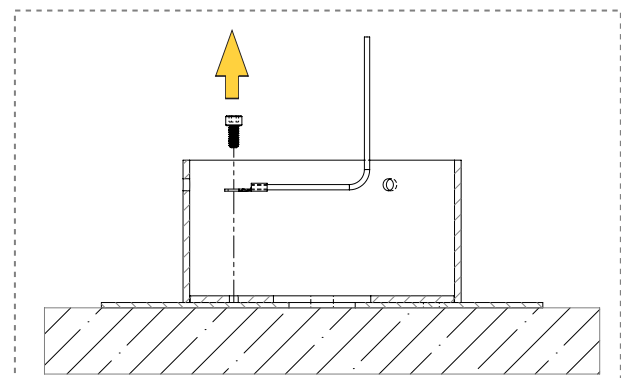


- 2 Unthread 3 each holding screws to 0.15" out with T10 Allen Wrench



- 3
-

Once fixture head is separately disconnect ground wire from fixture head



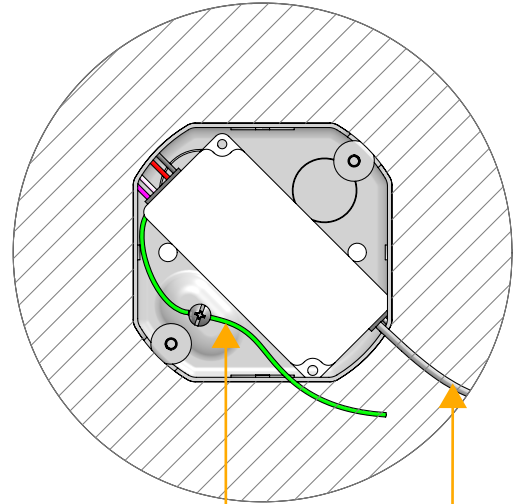
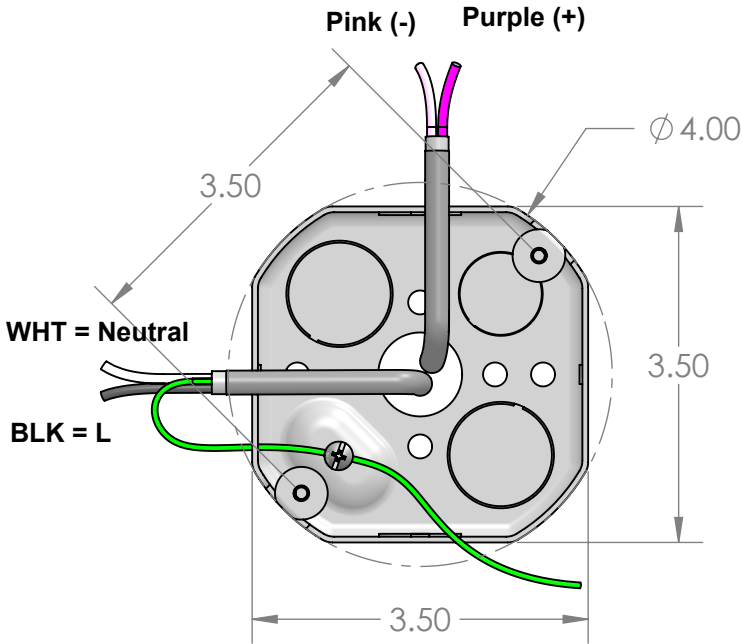
Mounting Fixture

With Flat Head Fixture

CWF41-

- 4 Recommended Octagon Deep J-Box
(Supply by Other)

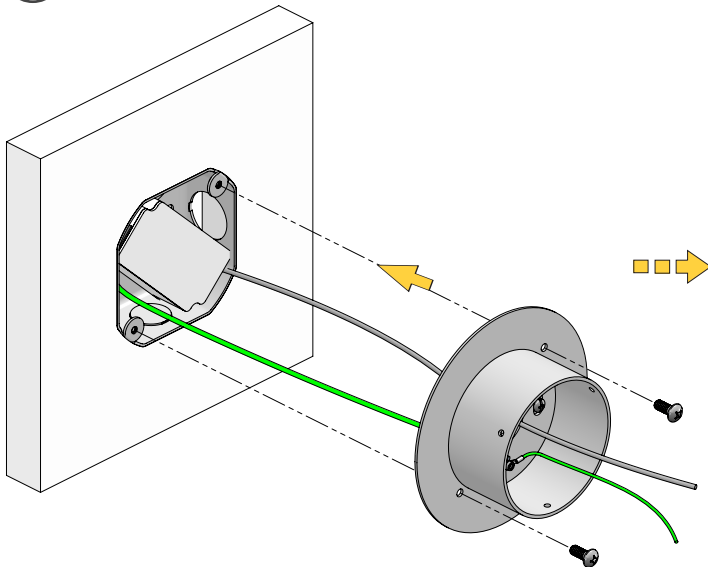
Connect Driver to 120-277V AC primary cable
and 0-10v Dimming cable



Ground to mounting

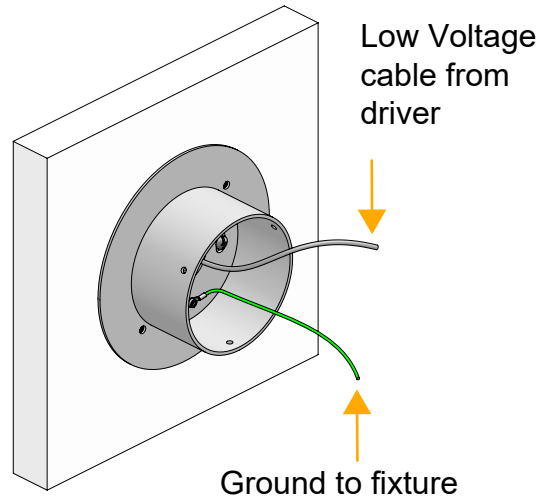
Low voltage Output to
fixture connection

5



Connect incoming
ground to J-Box and
mounting assembly

6

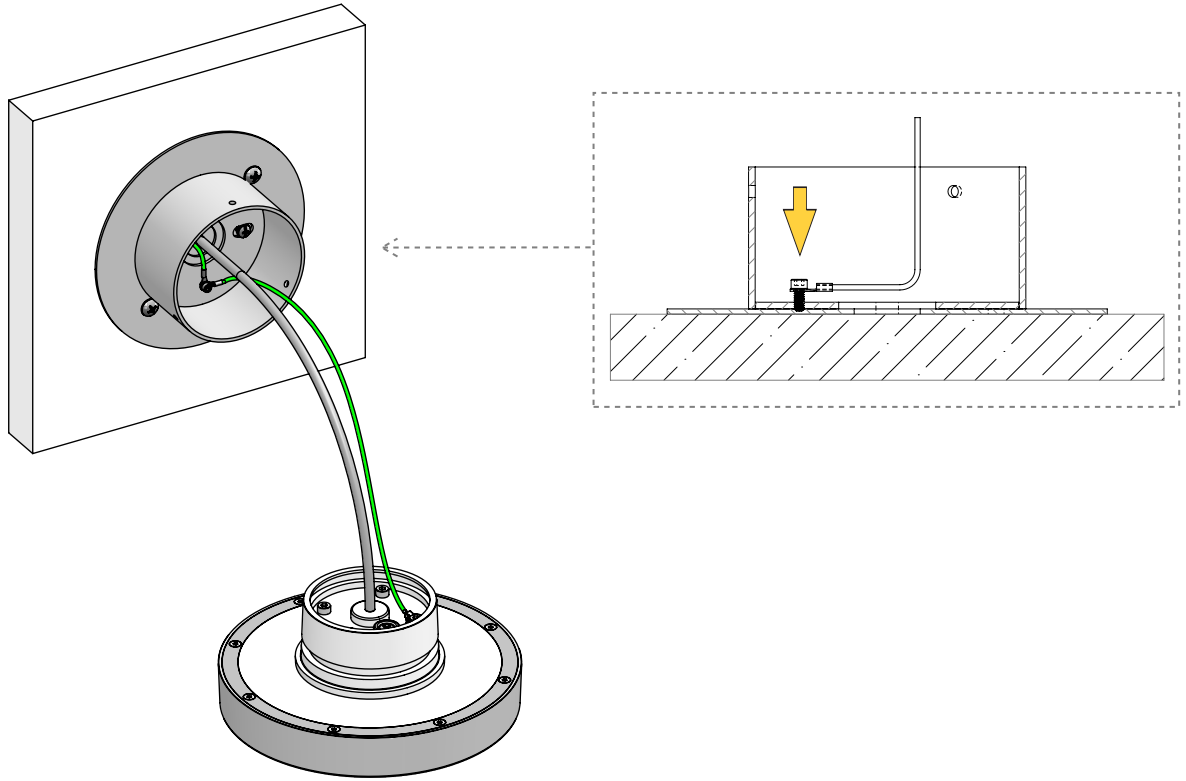


Low Voltage
cable from
driver

Ground to fixture

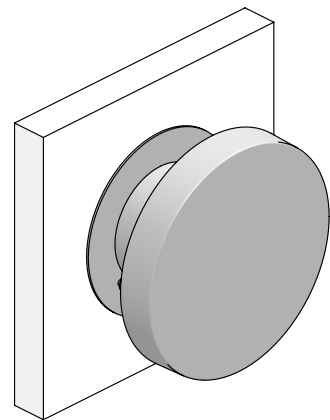
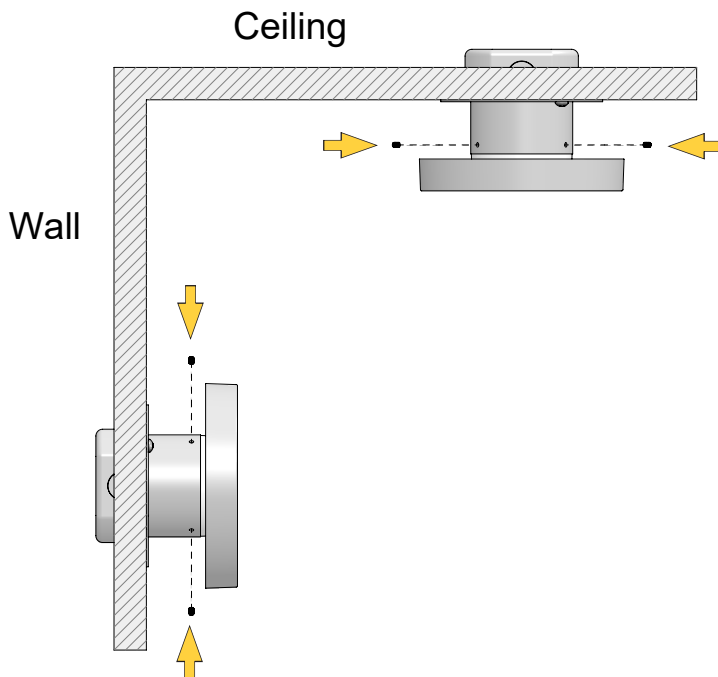
Mounting Fixture With Flat Head Fixture CWF41-

7



8

Thread 3 each holding screws to fixture head with T10 Allen Wrench

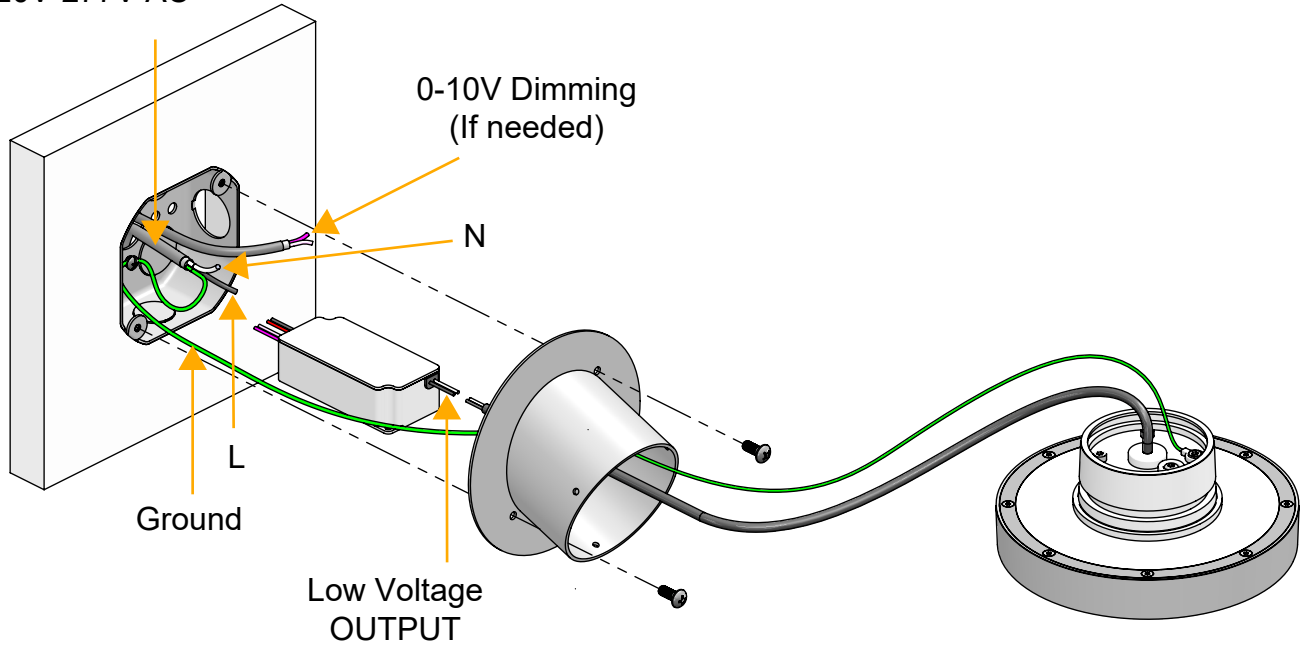


Mounting Fixture

With Angled Head Fixture
CWA41-

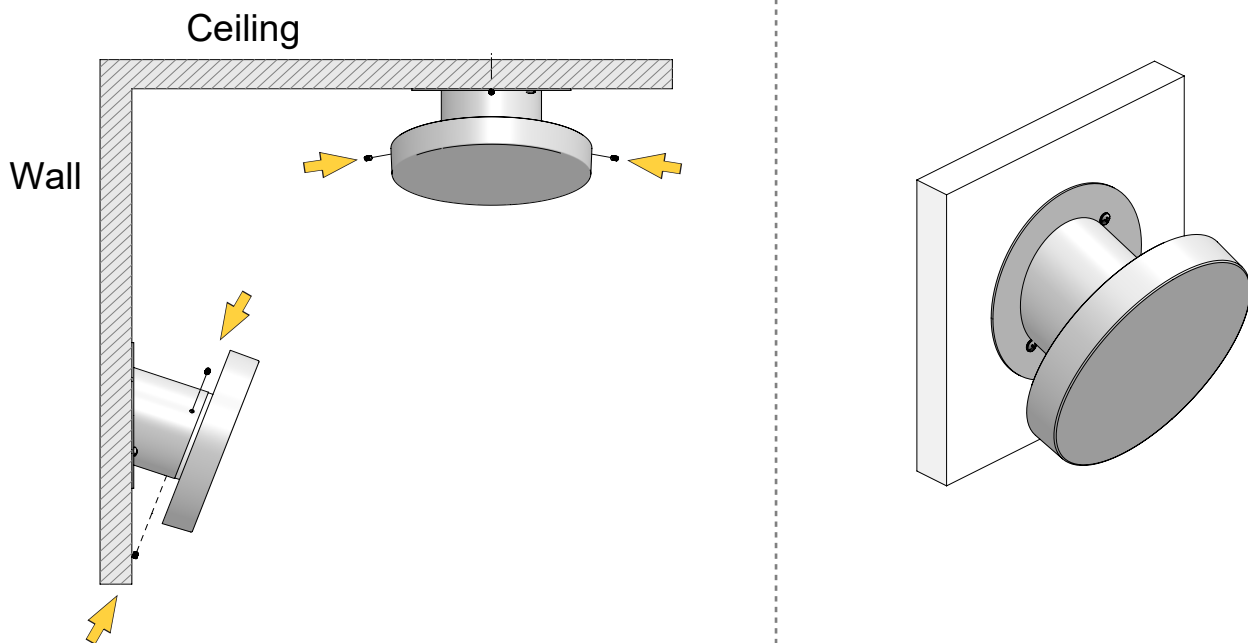
1

120V-277V AC



2

Thread 3 each holding screws to Mounting assembly with T10 Allen Wrench



Maintenance

This fixture was designed and manufactured for a durable, long lasting use with minimum care. To ensure the maximum lifespan of this product, we encourage our customers to provide a quality visual inspection of the fixture and installation accessories every six months.

If there are any visible signs of issues (i.e moisture or dust) during the inspection, please clean any of the dust or moisture with a soft cloth and check to make sure that any of the fixtures are still operating normally. If there are any issues regarding the fixture, please contact us as we will assist the situation at hand.

Support

Any questions, problems, or comments you have please feel free to contact our Customer Service department during our business hours Monday-Friday 8am-5pm via: Email: usaorders@targetti.com
Phone: (714) 513-1991

Visit our website: <http://www.targettiusa.com>