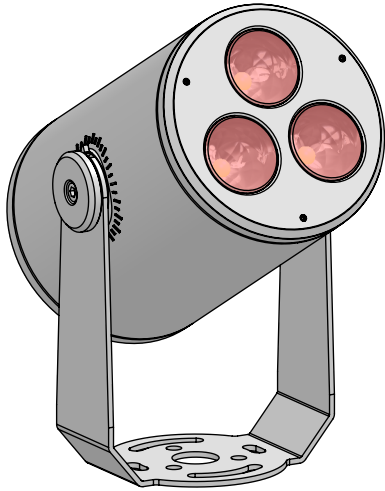


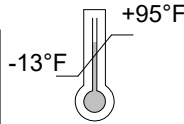


DART ROUND MEDIUM RGBW DRMDX-

PROFESSIONAL ADJUSTABLE DYNAMIC COLOR CHANGING PROJECTOR FLOODLIGHT



120/277V



IP66 IK10

If in doubt about the symbols refer to catalog or website

WARNING

Remote Class II electronic power supply will power the fixture with low voltage. **DO NOT CONNECT FIXTURE TO LINE VOLTAGE. FAILURE TO COMPLY WILL RESULT IN VOID OF WARRANTY.** See Fixture Connection (page 3) for more information.

To ensure a maximum efficient use of the product, read the instructions before proceeding installation.



This fixture must be installed by a licensed and qualified electrician. The installer must comply with NEC and local building codes when installing the fixture.



Electrical current can cause painful shock, serious injury, or even death. Make sure you turn off the power supply, ground fixture(s), and make sure all electrical connections are correct and secured tightly.



IP66

For use in IP66 installations.



Keep the label of the original packaging if any eventual future claims are needed

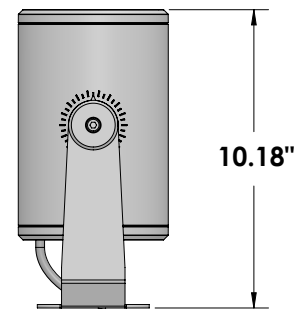
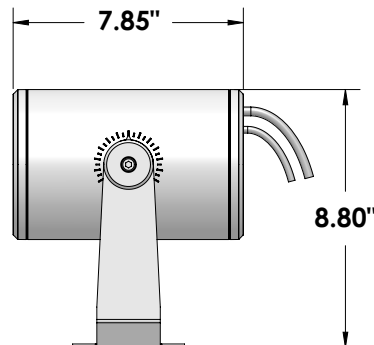
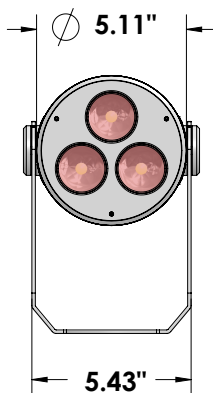
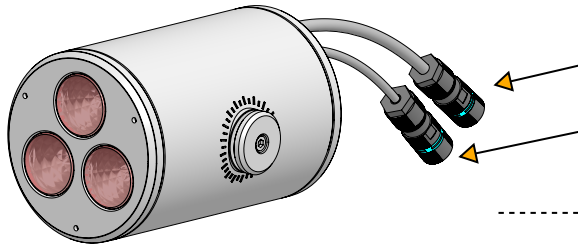


Table of Contents

Packaging Contents	Pg.2/3
Mounting Bracket Installation	Pg.4
Mounting Accessories	Pg.5-10
External Optical Accessories	Pg.11-14
Electrical Roughin / Wiring Diagram	Pg.15
DMX Control	Pg.16
Service Options	Pg.17
Maintenance / Support	Pg.18

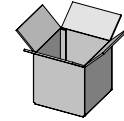
Packaging Contents



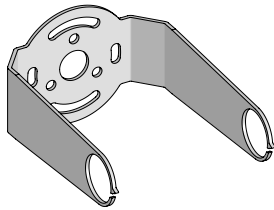
6" L Belden DMX cables with IP68 quick disconnects (5 pole connectors)

6" L direct burial 18-3 line voltage (4 pole connectors)

DART ROUND MEDIUM FIXTURE 1 ea.



BOX 10" x 8" x 10" @ 7.0lbs



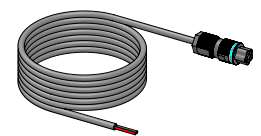
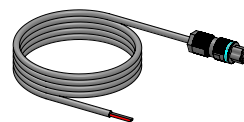
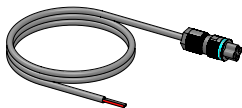
MOUNTING BRACKET 1 ea.

● Ferrite Dark Grey (Default) ● Heritage Brown (HB)* ● Bronze (BZ)* ● White (WT)* ● Black (BT)* ● Sandstone Grey (SG)*

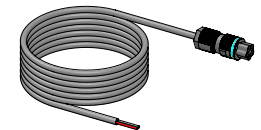
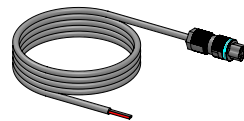
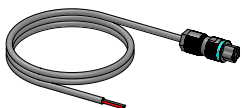
Confirm Specified Mounting (Sold Separately)

Lead cable kit. (2ea) direct burial 18-3 line voltage and 20-5 DMX cables with IP68 quick disconnects.

18-3 line voltage
(4 pole connectors)



DMX cables
(5 pole connectors)



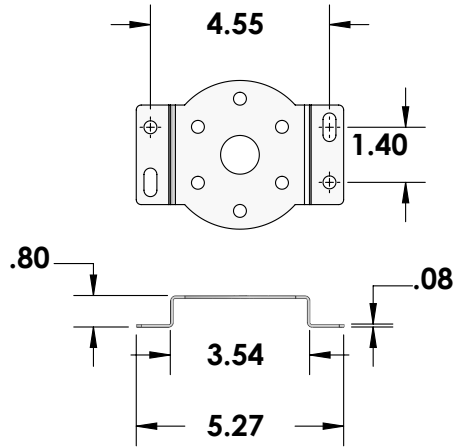
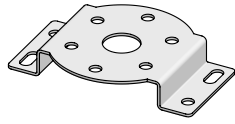
DRDXLEAD10
(10ft)

DRDXLEAD25
(25ft)

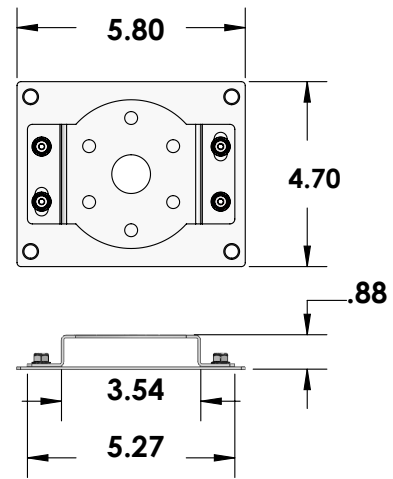
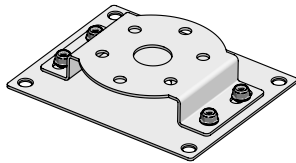
DRDXLEAD50
(50ft)

Confirm Specified Mounting (Sold Separately)

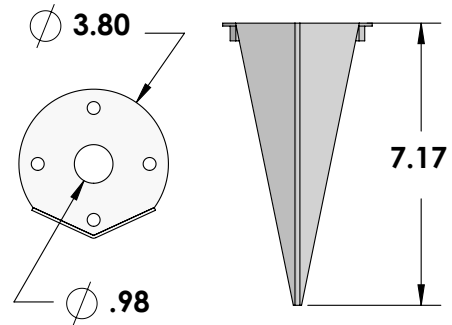
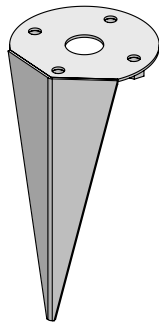
1E3026*
Rotational Bracket



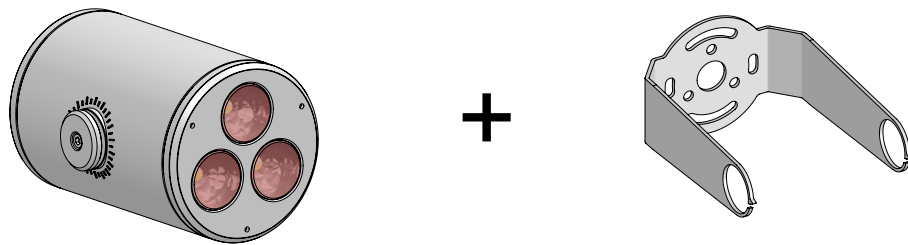
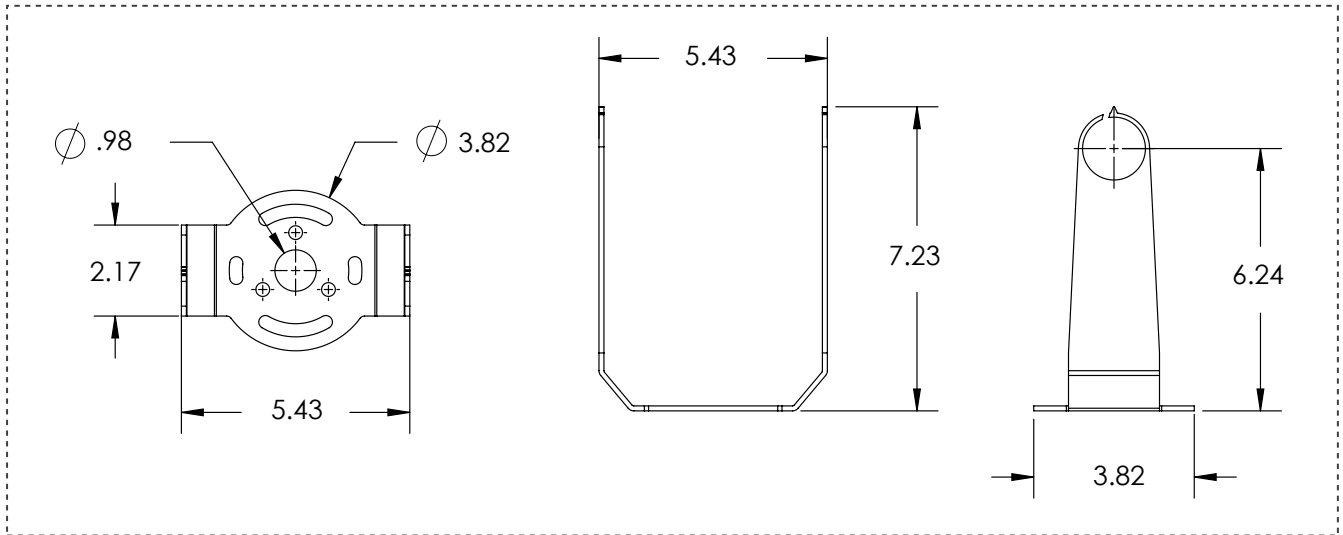
1US3026(*)
Back Plate



1E3028(*)
Earth Spike

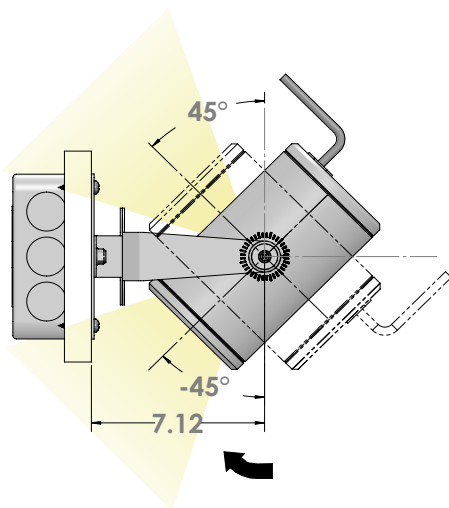


Mounting Installation

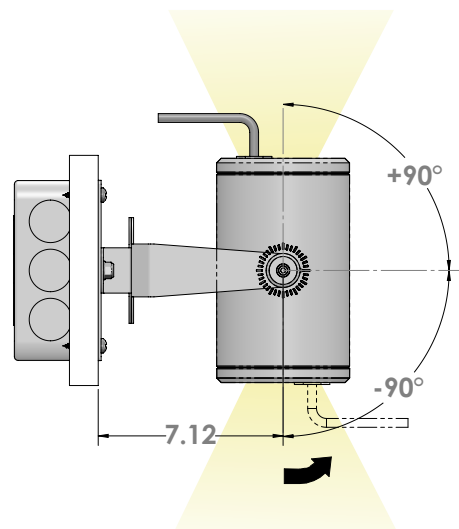


WALL MOUNTED OPTIONS

WALL WASH POSITIONS

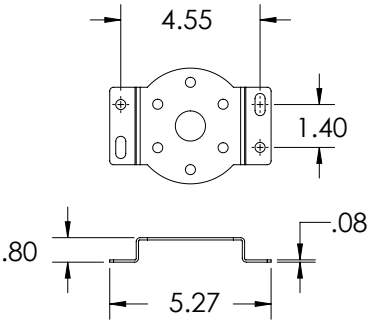
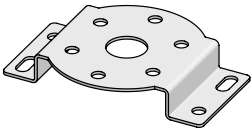


PROJECTOR POSITIONS



Mounting Accessories

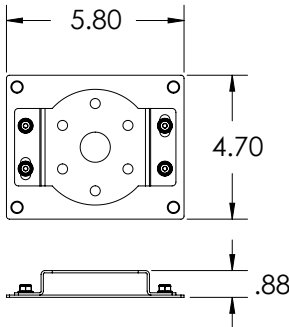
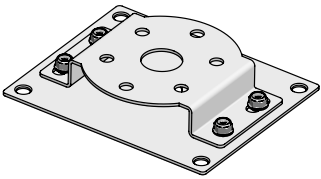
Mounting Accessories (Optional)
Maximum of one accessory per fixture



Rotational bracket for surface installation. Powder coated stainless steel.

Part No. **1E3026**(*)

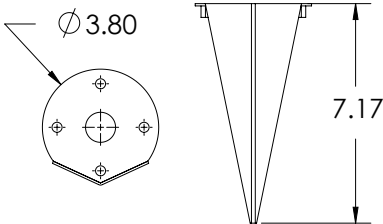
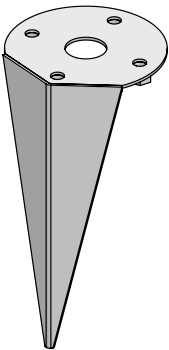
- Ferrite Dark Grey (Default)
- Heritage Brown (HB)*
- Bronze (BZ)*
- White (WT)*
- Black (BT)*
- Sandstone Grey (SG)*



Back plate with rotational bracket for wall mount installation. Powder coated stainless steel with Neoprene black foam. Included with 1E3026 and factory attached Stainless Steel black oxide bolts and locking nuts.

Part No. **1US3026** (*)

- Ferrite Dark Grey (Default)
- Heritage Brown (HB)*
- Bronze (BZ)*
- White (WT)*
- Black (BT)*
- Sandstone Grey (SG)*



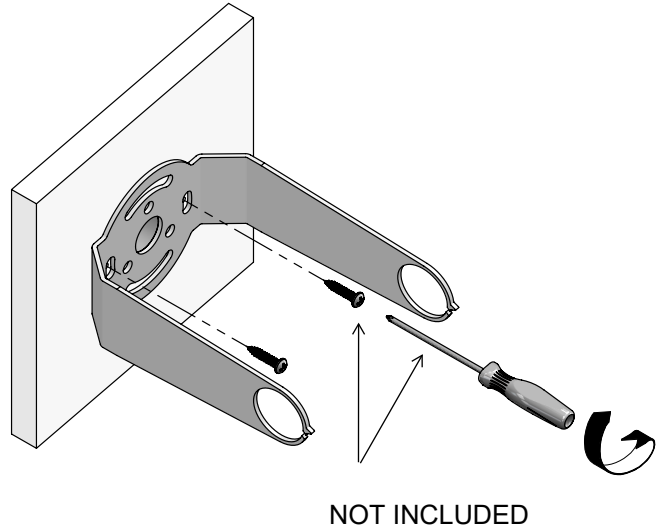
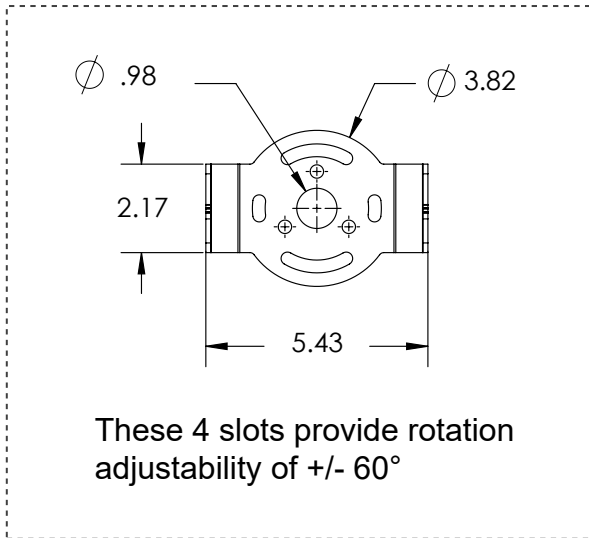
Earth spike. Powder coated stainless steel.

Part No. **1E3028** (*)

- Ferrite Dark Grey (Default)
- Heritage Brown (HB)*
- Bronze (BZ)*
- White (WT)*
- Black (BT)*
- Sandstone Grey (SG)*

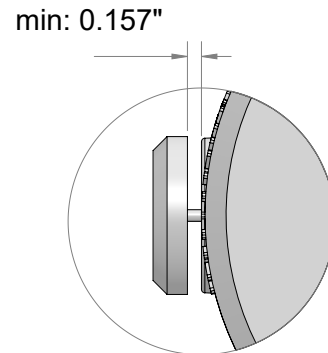
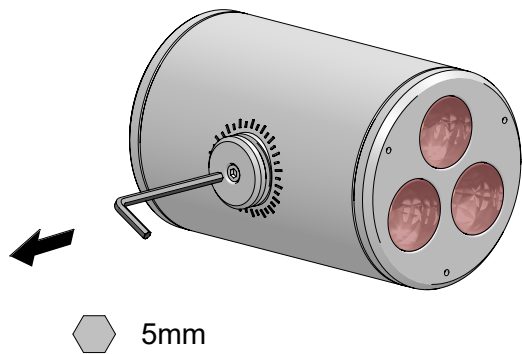
Fixture Bracket Installation

Fixture bracket can be installed directly onto mostly any surface. (included 1 per fixture)
Drill 2 holes on the surface at the corresponding distance and then attach bracket using proper hardware depending on mounting surface. Depending on the holes used for mounting, the bracket can provide rotation adjustability of +/-60°.



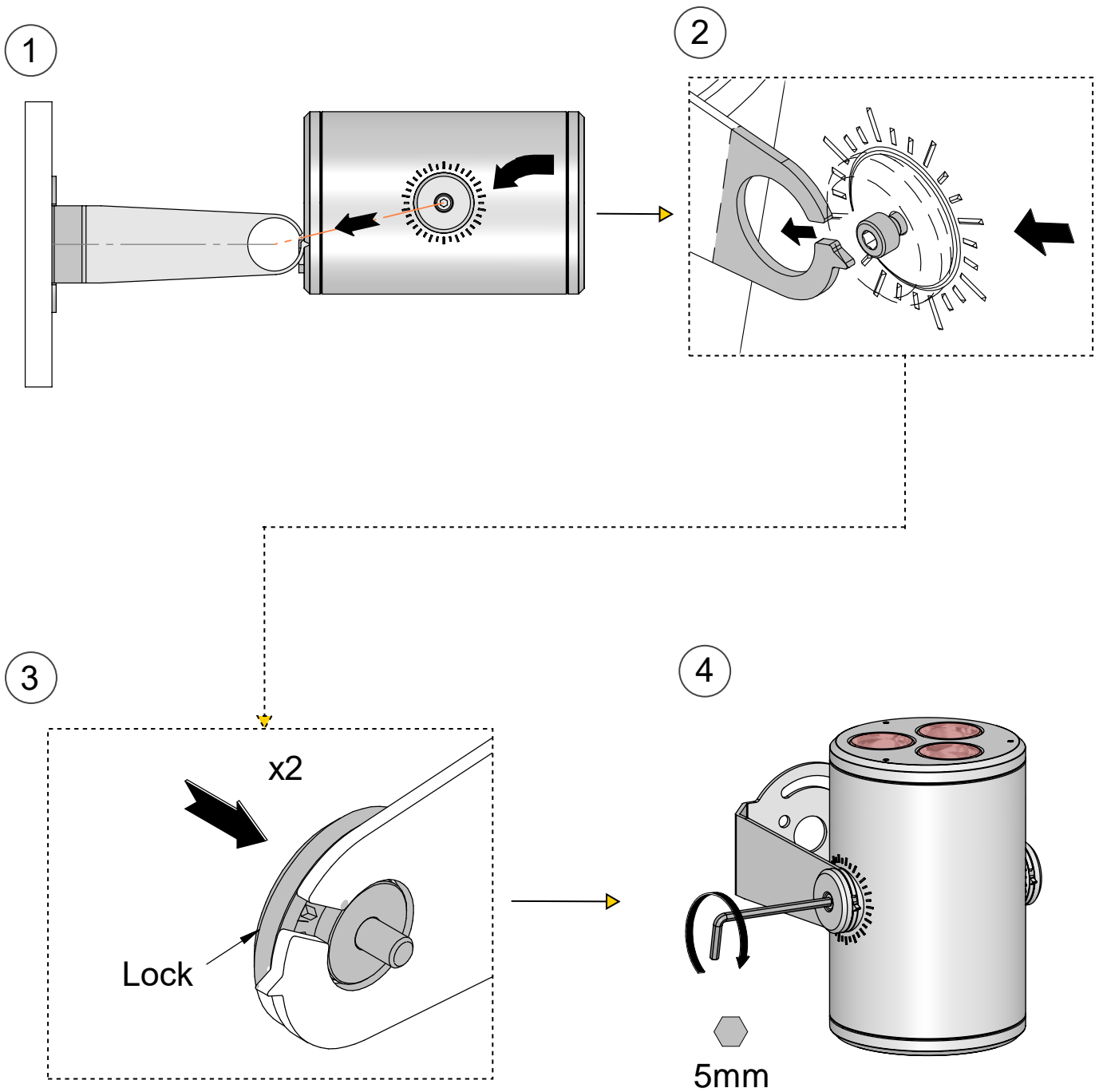
LED Fixture Assembly / Fixture Bracket

To assemble the fixture and the fixture bracket together, use a 5 millimeter Allen wrench to loosen the 2 screws on the sides of the fixture to create a gap of approximately 0.13" between the button and the fixture (Allen wrench provided by others).



Fixture Bracket Installation

Once both sides have been loosened and the gap was created, insert the bracket into the gaps using the openings at the end of the bracket as shown on images below. Once inserted, aim to the desired angle and tighten.

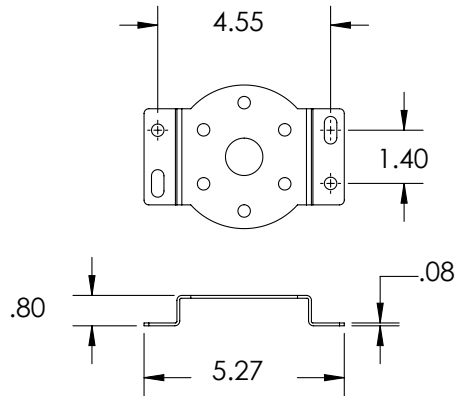
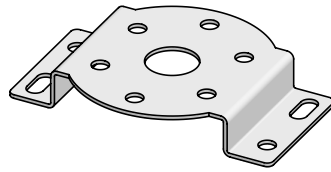


Mounting Installation Cont.

With Rotational Bracket

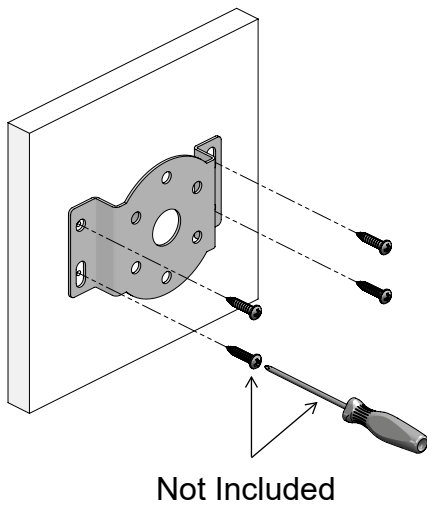
1E3026(*)

①

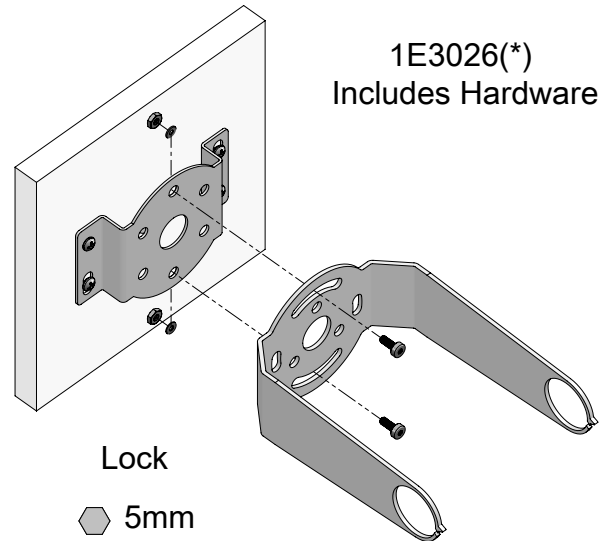


② Rotation bracket will be leveled, and installed on the mounting surface. Use the appropriate fasteners or anchors to mount the bracket onto mounting surface.

Once the rotation bracket is mounted onto the surface, place the two hex screws through the bracket and rotation plate as shown. Then place the the body of the fixture on top of the mounted bracket. Adjust the fixture to the desire lighting position before locking the two hex screws on top of the mounting bracket.



Not Included



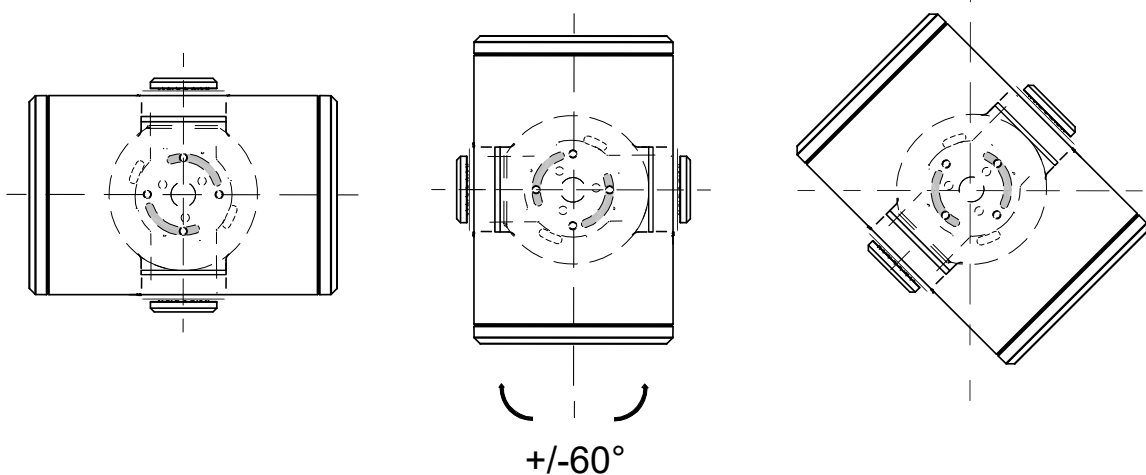
1E3026(*)
Includes Hardware

Lock

5mm

③

ADJUSTMENT



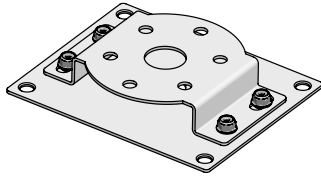
+/-60°

Mounting Installation Cont.

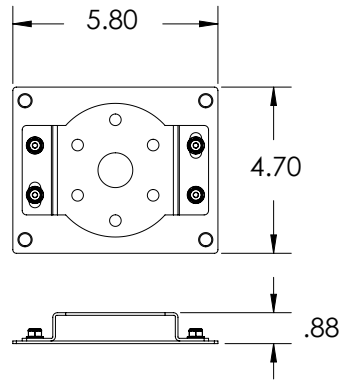
Back Plate with Rotational Bracket

1US3026*

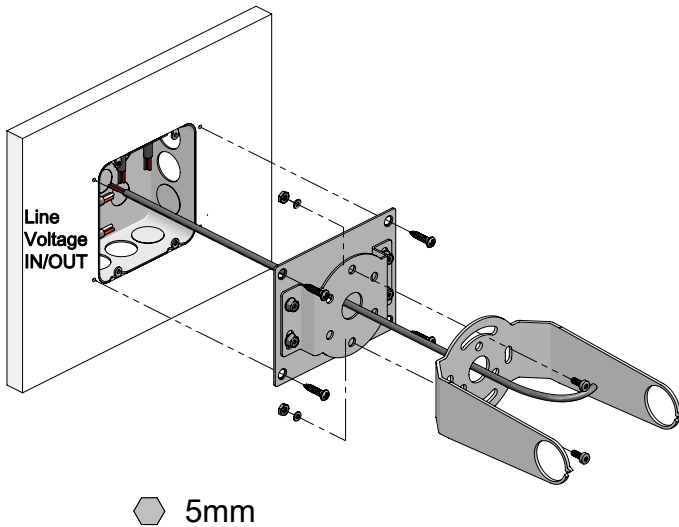
Optional rotation bracket accessory can be mounted onto most surfaces. (Optional 1 per fixture). This accessory is optional to provide complete 360° of mounting positions. Drill 4 holes on the surface at the corresponding distance and then attach the rotation bracket using proper hardware depending on mounting surface.



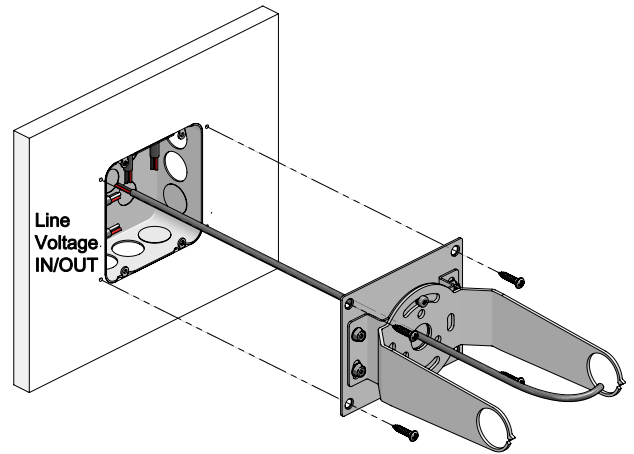
Back Plate



①

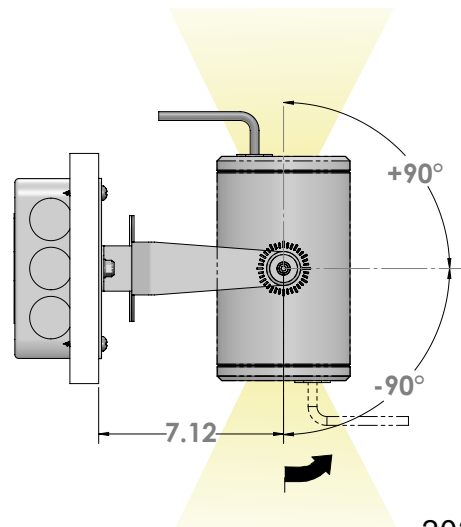
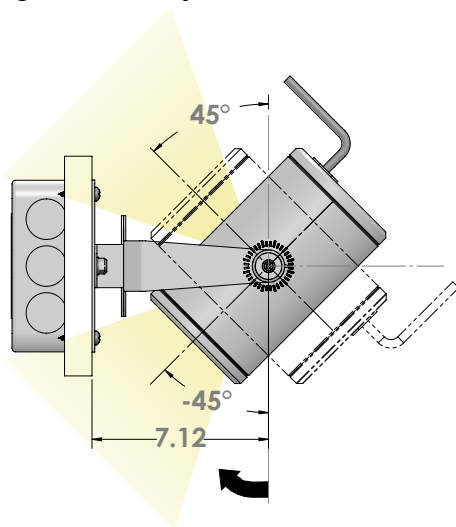


②



③

Attach the fixture bracket onto the rotation bracket using provided hardware as shown on image. Then adjust fixture at desired angle and tighten.

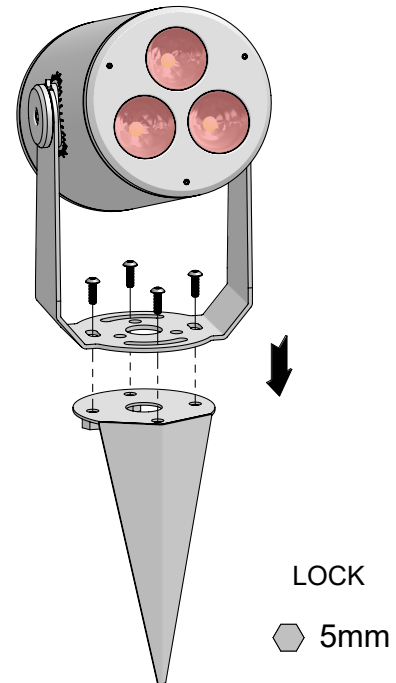
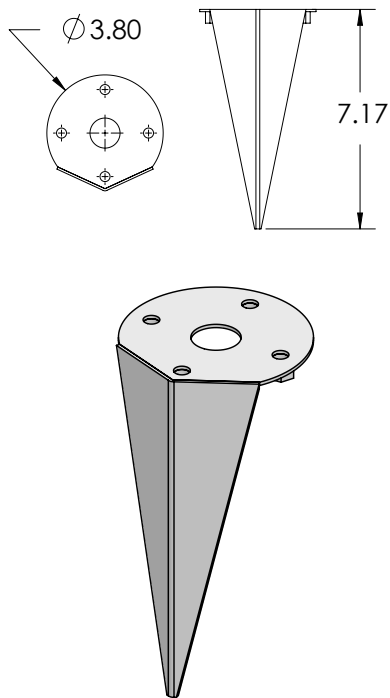


Mounting Installation Cont.

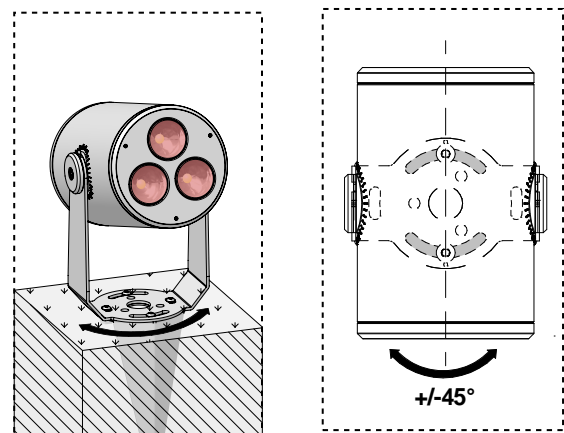
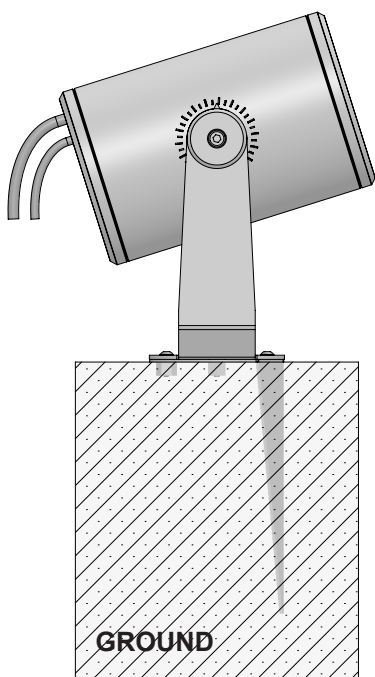
Earthspike Installation

1E3028*

- ① Earthspike will be installed on the mounting ground and should be stable and sturdy before mounting fixture. Use the appropriate fasteners or anchors to mount the bracket onto mounting surface.



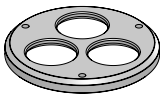
- ② Once the earthspike is mounted onto the surface, place the two hex screws through and place the the body of the fixture on top of the mounted bracket. Adjust the fixture to the desire lighting position before locking the four hex screws on top of the mounting bracket.



Adjustable up to $\pm 45^\circ$ with slotted mounting base with aim locking screw.

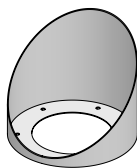
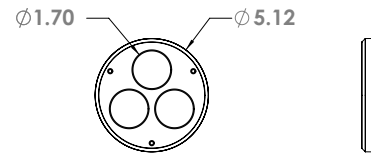
External Optical Accessories (Optional)

Maximum of Two Accessories Per Fixture



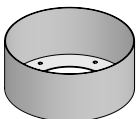
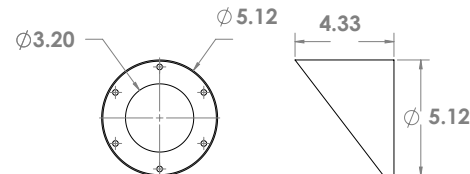
Blade Light Linear Spread Lens. PMMA holographic filter.

Part No. **1E4263(*)**



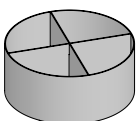
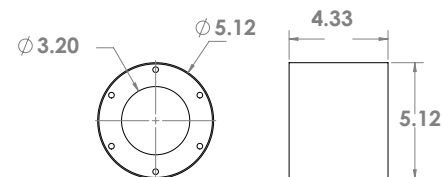
Asymmetric snoot. Powder coated stainless steel. Cutoff 52°. **Not compatible with 1E4009, 1E4008 or 1E4058.**

Part No. **1E4007 (*)**



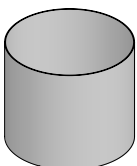
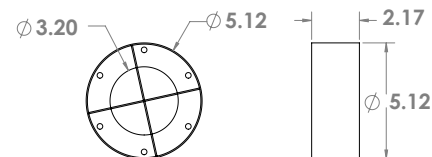
Symmetric super snoot. Powder coated stainless steel. Cutoff 44°. **Not compatible with 1E4007, 1E4008 or 1E4009.**

Part No. **1E4058 (*)**



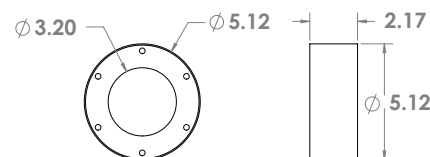
Anti glare louver with removable baffles for different levels of glare control. Powder coat stainless steel. Cutoff 114°. **Not compatible with 1E4007, 1E4008 or 1E4058.**

Part No. **1E4005(*)**



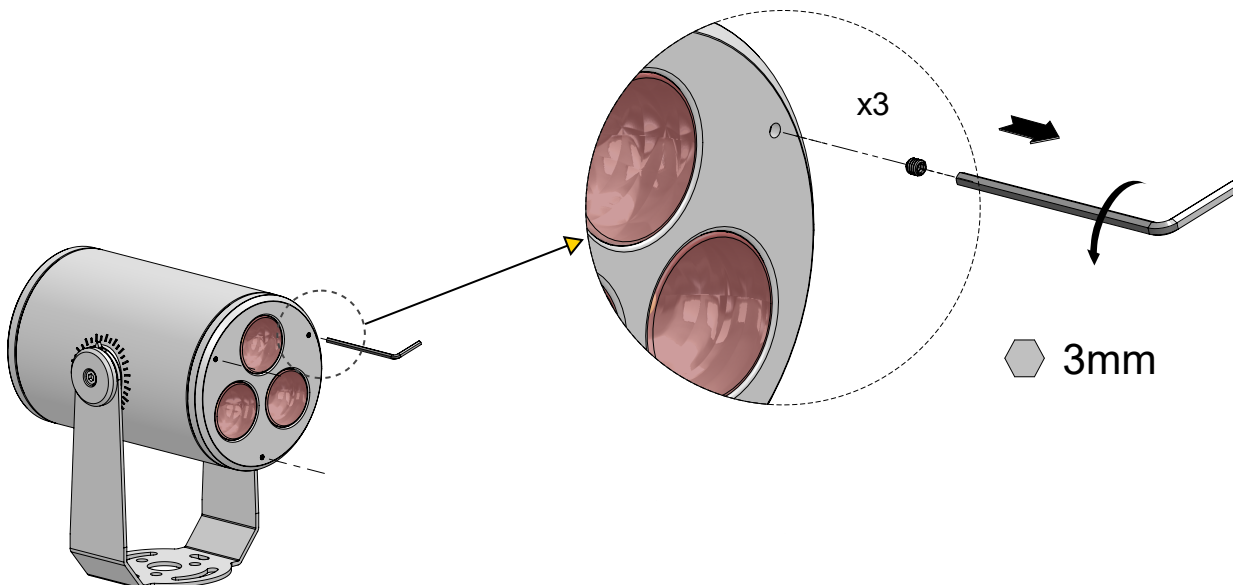
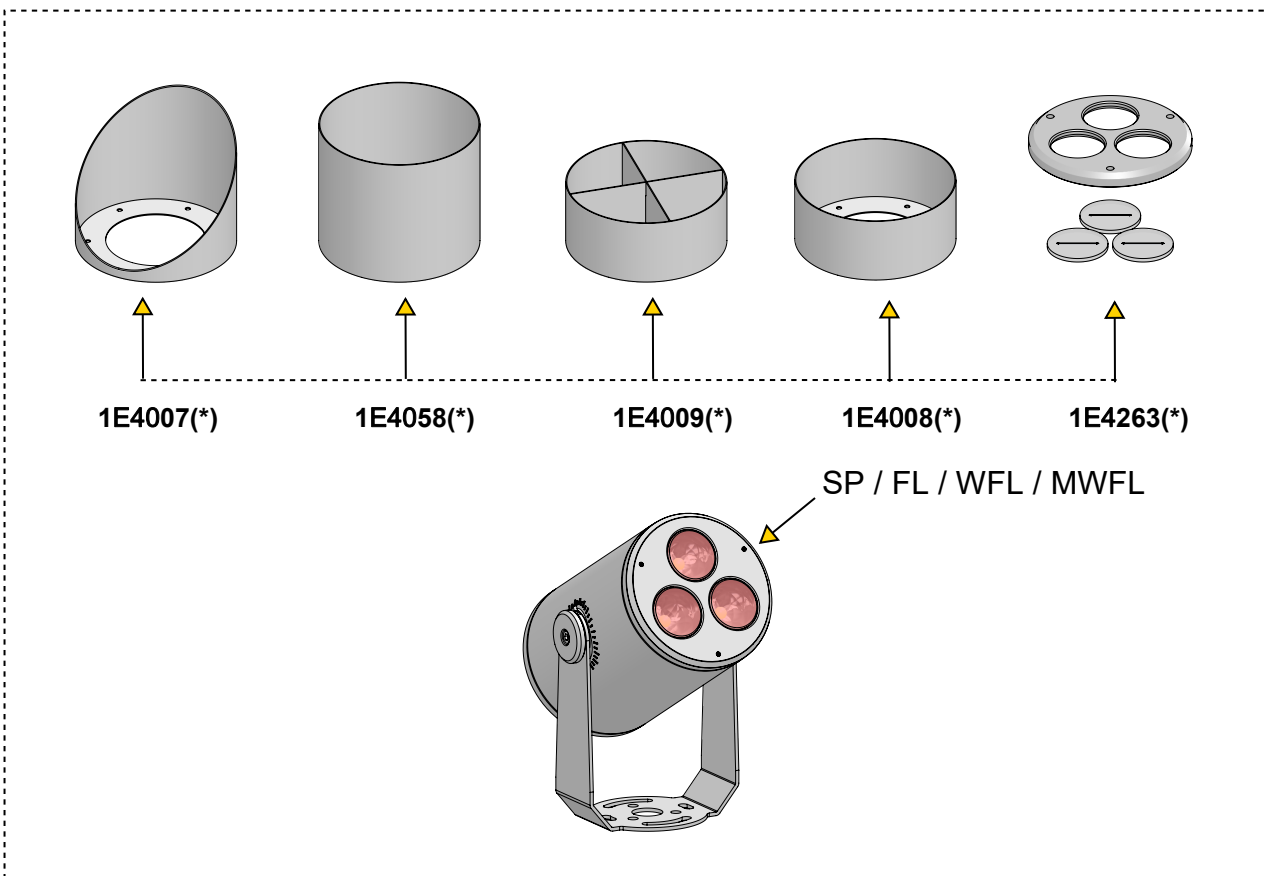
Symmetric snoot. Powder coated stainless steel. Cutoff 102°. **Not compatible with 1E4007, 1E4009 or 1E4058.**

Part No. **1E4008 (*)**



Confirm Specified Accessory (Sold Separately)

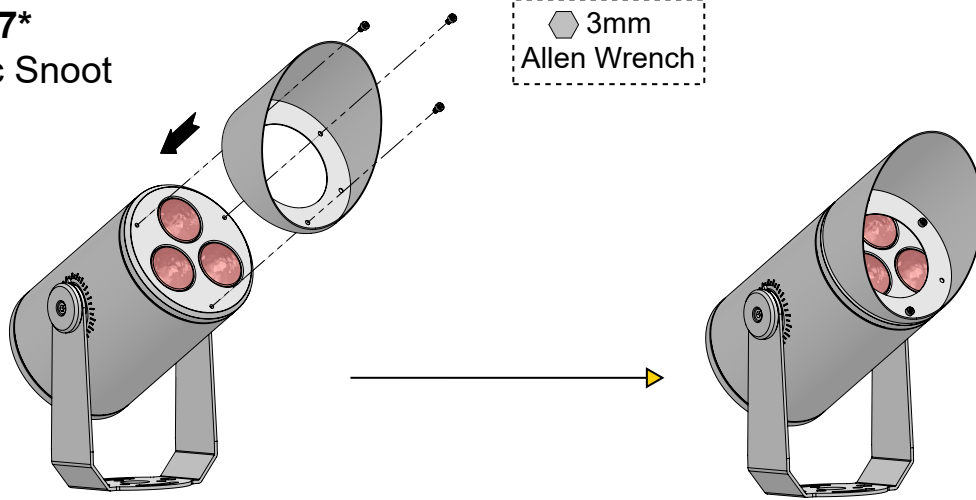
**In order to attach accessories onto the fixture, you must first remove the 3 screw caps from the glass screen. Place the blade light filter onto the LED fixture's face, align holes on accessory to holes on fixture. Once the 3 holes are aligned, insert the 3 screws (provided with asymmetric snoot) into the LED fixture head and tighten with a 3mm Allen wrench to complete installation. Maximum of two accessories per fixture.



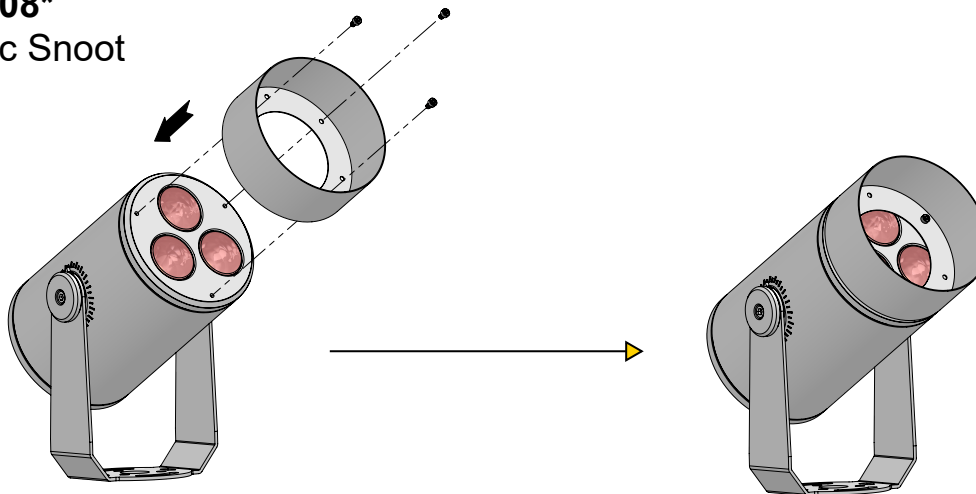
Confirm Specified Accessory Cont. (Sold Separately)

**In order to attach accessories onto the fixture, you must first remove the 3 screw caps from the glass screen. Place the blade light filter onto the LED fixture's face, align holes on accessory to holes on fixture. Once the 3 holes are aligned, insert the 3 screws (provided with asymmetric snoot) into the LED fixture head and tighten with a 3mm Allen wrench to complete installation.

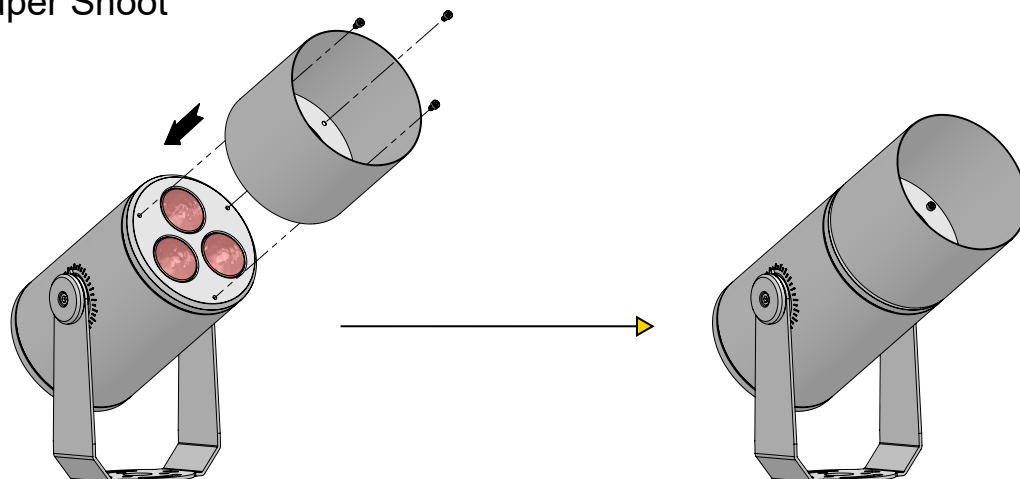
1E4007* Asymmetric Snoot



1E4008* Symmetric Snoot



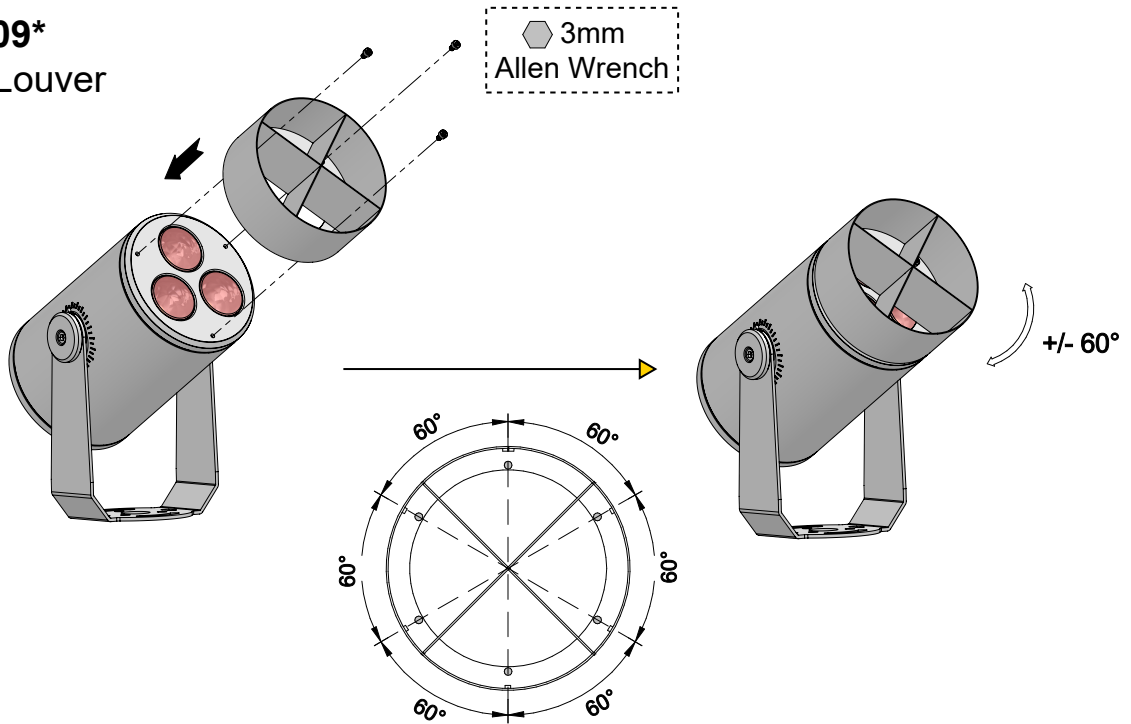
1E4058* Symmetric Super Snoot



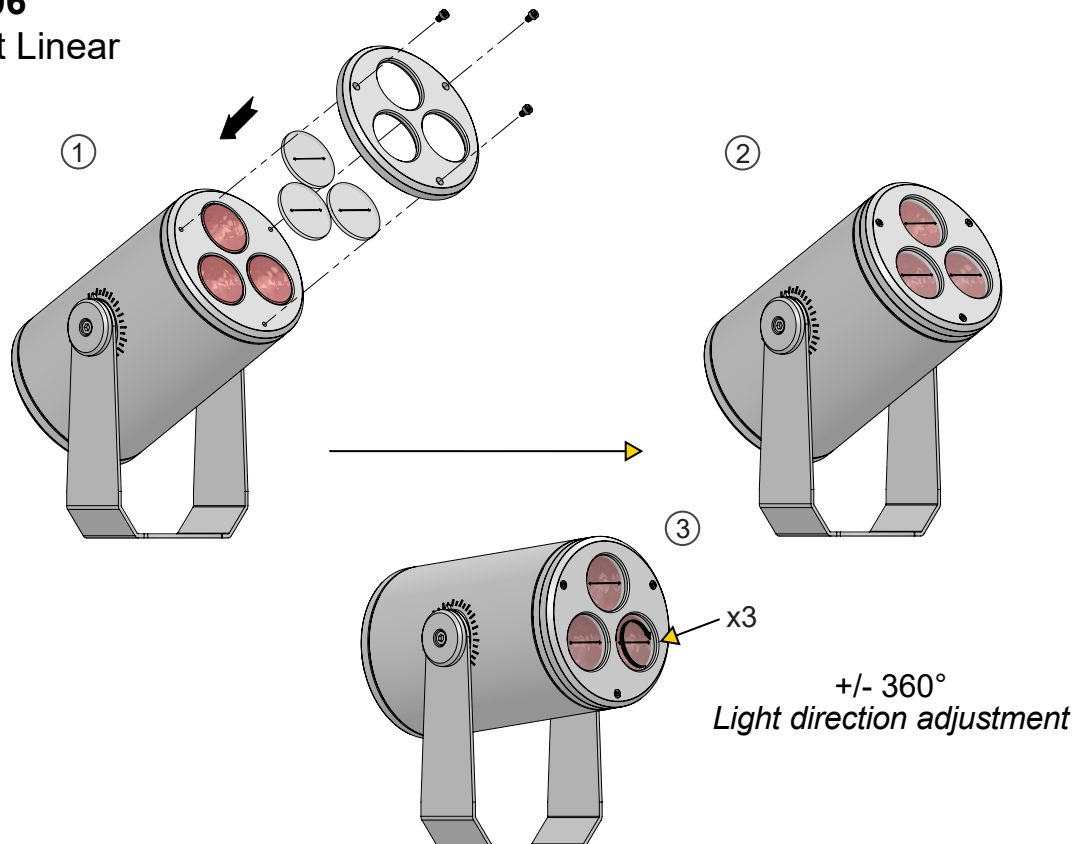
Confirm Specified Accessory Cont. (Sold Separately)

**In order to attach accessories onto the fixture, you must first remove the 3 screw caps from the glass screen. Place the blade light filter onto the LED fixture's face, align holes on accessory to holes on fixture. Once the 3 holes are aligned, insert the 3 screws (provided with asymmetric snoot) into the LED fixture head and tighten with a 3mm Allen wrench to complete installation.

1E4009* Anti-glare Louver



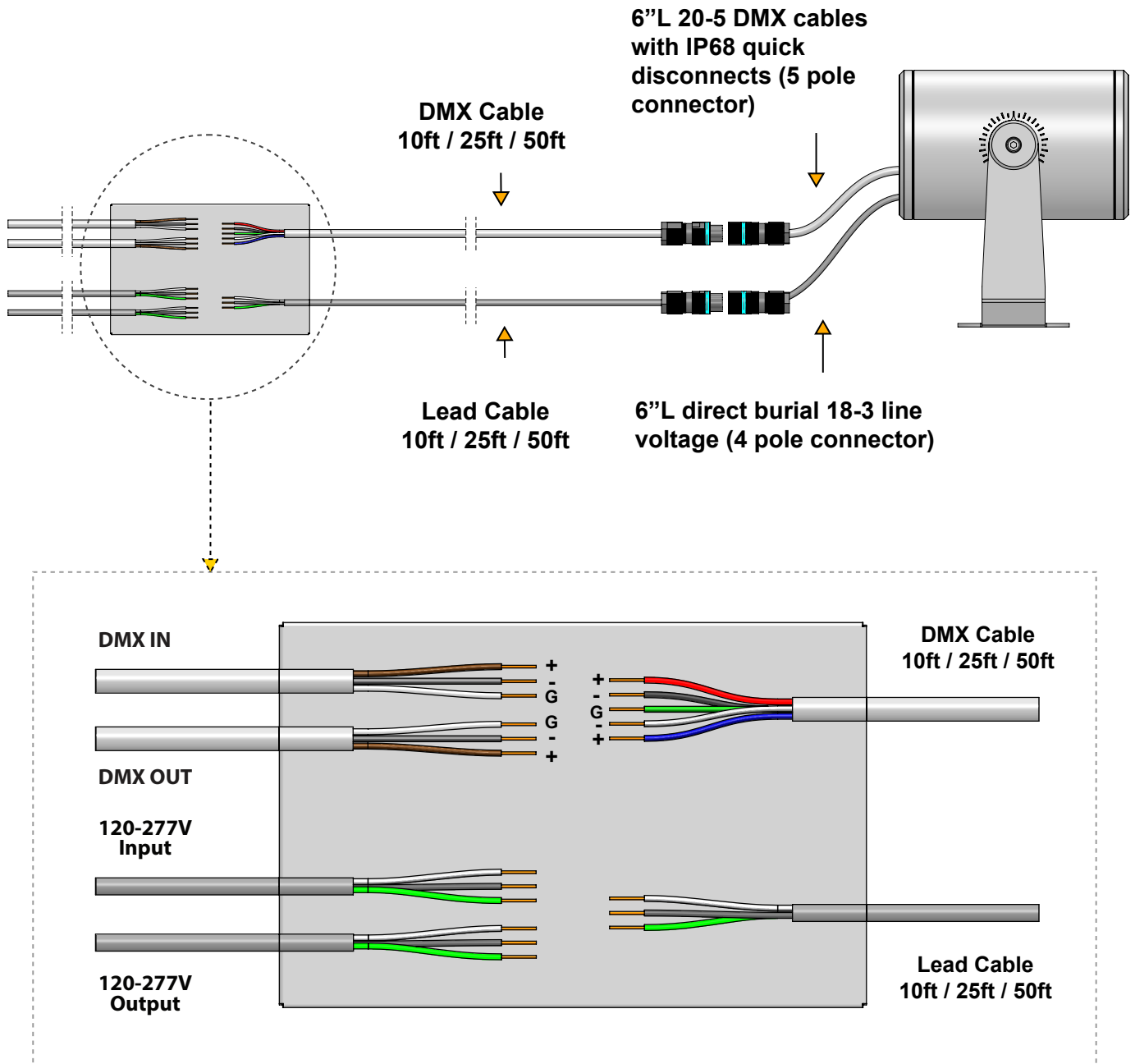
1E4006* Blade Light Linear



Fixture Wiring Diagram

Follow the directions below to complete a successful connection.

- Use proper UL listed waterproof wire connectors depending on conductor size.
- Ground every fixture accordingly.
- Make color coded connections.
- Double check every connection and make sure they are correct and secured.







DMX Control

Targetti DART ROUND MAXI RGBW Fixture are Individually addressable fixtures with direct DMX Connections through each fixture to the next.

It is required that a project layout and address chart of fixture is supplies for factory addressing and labeling of each fixture per clients. Control Specifications Fixture have a preset default to 1/2 power on the red LED if there is no DMX signal corrected. See below for DMX components and suggested factory service options.

CONTROL (OPTIONAL)

Part No.		Channels	Scenes	Zones	Rating	Voltage	Certification	Dimensions	Description
TGDMXSLESAU9		256	20	1	Indoor	5.5V DC	ETL, UL	5.3"W x 5.5"H x 1.9D	Nicolaudio Slesa smart DMX 1/2 universe programmable controller with easy to use software interface.
TGDMXSLESAU11		1024	5	99	Indoor	5VDC 120V AC Plug in power supply included	ETL	6.3" x 3.6" x 1.8"	Nicolaudio Slesa smart DMX interface, 2 DMX 512 universes, intuitive backlit keyboard programmable controller with easy to use software interface.
TGDMXSTICKDE3B		1024	10	500	Indoor	6-7V DC 120V AC Plug in power supply included	ETL	5.8" x 4.2" x 0.5"	Nicolaudio intelligent control keypad with glass touch sensitive graphic display, stand-alone DMX 512, 2 universe programmable controller with easy to use software interface. Black finish.
TGDMXSTICKDE3W		1024	10	500	Indoor	6-7V DC 120V AC Plug in power supply included	ETL	5.8" x 4.2" x 0.5"	Nicolaudio intelligent control keypad with glass touch sensitive graphic display, stand-alone DMX 512, 2 universe programmable controller with easy to use software interface. White finish.



USB-RDM Programmer code. DMX-RDM (Remote Device Management) address planner. Used with the "RDM Targetti" software that can be [downloaded for free from the Targetti USA website](#). To be used with all RGBW products. The USB-RDM programmer manages to direct DMX-RDM fixtures if there are no BUFFER or Splitter DMX on the section.

Part No. **1E2767**

DMX CABLE RECOMMENDATION

Targetti USA recommends use of Belden 3105A DMX outdoor cable for homeruns from controller to first fixture. Max distance of 800ft from controller to last fixture.

Service Options

PRE-SHIP ADDRESSING

A Targetti technician shall factory address each fixture per the project addressing chart (provided by customer) prior to shipping. The project addressing chart shall be received prior to fixture shipping. If fixture addressing chart is not received, fixture will be default addressed at 001. Targetti shall not be responsible for delays due to the requested addressing configuration not being provided within the requested time-frame.

ALTERNATIVE

PRGM02

Before, during or after fixture rough in installation is completed, a Targetti technician shall travel to the installation site. The project is reviewed and checked for proper wiring, installation and functionality of the primary power and control systems before Control system operation is switched on. Any installation issues are addressed and resolved with the onsite contractors. All fixture addressing is confirmed and can be changed as required, the the Targetti technician will perform this task in accordance to the intended lighting design. For local installations (within 50mi of Costa Mesa, CA), consult factory. Travel expenses excluded and billed separately.

PRGM03

After fixture installation is complete, a Targetti technician shall travel to the installation site to assist contractor and/or systems integrator to trouble shoot issues that are resulting in non-operation or incorrect function of the system when connector into Control Systems Protocols. The project is reviewed and checked for proper wiring, installation and functionality of the system and proper System data flow from Control, Gateways and Fixtures. Any installation/control issues are addressed and resolved with the onsite contractors. If onsite fixture programming is required, the Targetti technician will perform this task in accordance to the intended lighting design. For local installations (within 50mi of Costa Mesa, CA), consult factory. Travel expenses excluded and billed separately.

PRGM04

A Targetti technician shall provide overall control training for end users / the facility maintenance team. This training covers overall usability of the lighting control(s), focusing on functionality and programming.

Maintenance

This fixture was designed and manufactured for a durable, long lasting use with minimum care. To ensure the maximum lifespan of this product, we encourage our customers to provide a quality visual inspection of the fixture and installation accessories every six months.

If there are any visible signs of issues (i.e moisture or dust) during the inspection, please clean any of the dust or moisture with a soft cloth and check to make sure that any of the fixtures are still operating normally. If there are any issues regarding the fixture, please contact us as we will assist the situation at hand.

Support

Any questions, problems, or comments you have please feel free to contact our Customer Service department during our business hours Monday-Friday 8am-5pm via: Email: usaorders@targetti.com
Phone: (714) 513-1991

Visit our website: <http://www.targettiusa.com>