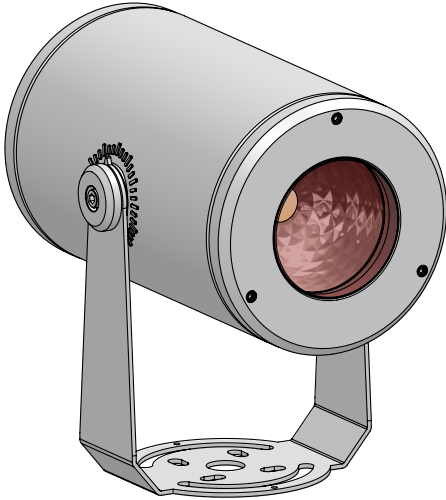




DART ROUND SMALL RGBW DRSRP-

PROFESSIONAL SMALL SCALE ADJUSTABLE
DYNAMIC COLOR CHANGING PROJECTOR
FLOODLIGHT



If in doubt about the symbols refer to catalog or website

WARNING

Remote Class II electronic power supply will power the fixture with low voltage. **DO NOT CONNECT FIXTURE TO LINE VOLTAGE. FAILURE TO COMPLY WILL RESULT IN VOID OF WARRANTY.** See Fixture Connection (page 3) for more information.

To ensure a maximum efficient use of the product, read the instructions before proceeding installation.



This fixture must be installed by a licensed and qualified electrician. The installer must comply with NEC and local building codes when installing the fixture.



Electrical current can cause painful shock, serious injury, or even death. Make sure you turn off the power supply, ground fixture(s), and make sure all electrical connections are correct and secured tightly.



For use in IP66 installations.



Keep the label of the original packaging if any eventual future claims are needed

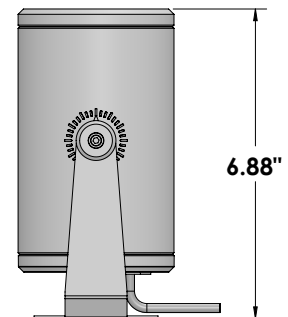
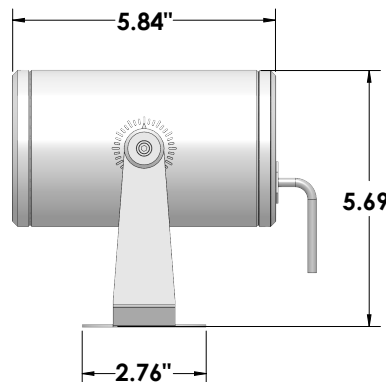
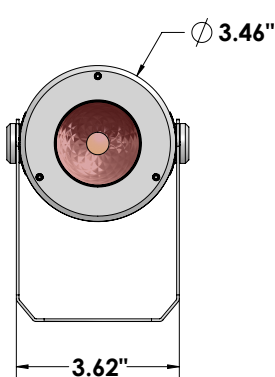
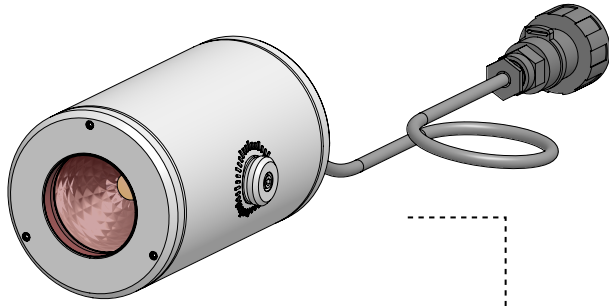


Table of Contents

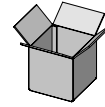
Packaging Contents	Pg.2
Mounting Bracket Installation	Pg.3
Mounting Accessories	Pg.4-8
External Optical Accessories	Pg.9-15
Electrical Roughin / Wiring Diagram	Pg.16
DMX Control	Pg.17
Sevice Options	Pg.18
Maintenance / Support	Pg.19

Packaging Contents

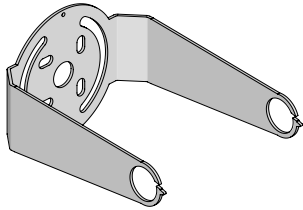


20AWG 8 conductor lead cable with quick disconnect

DART ROUND SMALL RGBW 1 ea.



BOX 8" x 8" x 8" @ 2.2lbs

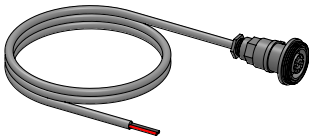


MOUNTING BRACKET 1 ea.

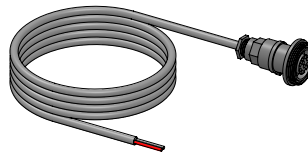
● Ferrite Dark Grey (Default) ● Heritage Brown (HB)* ● Bronze (BZ)* ● White (WT)* ● Black (BT)* ● Sandstone Grey (SG)*

Confirm Specified Mounting (Sold Separately)

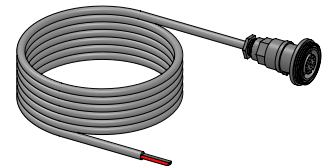
Direct burial 20-8 lead cable with IP68 quick disconnect.



DX8PLEAD10
10ft



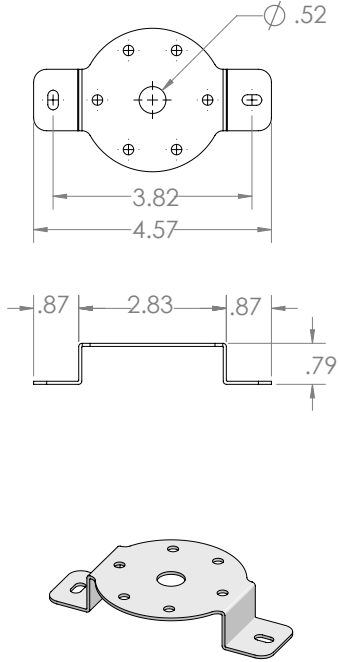
DX8PLEAD25
25ft



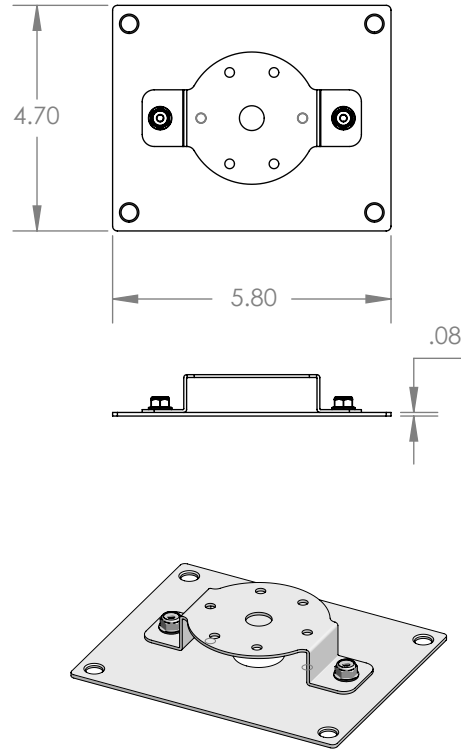
DX8PLEAD50
50ft

Confirm Specified Mounting (Sold Separately)

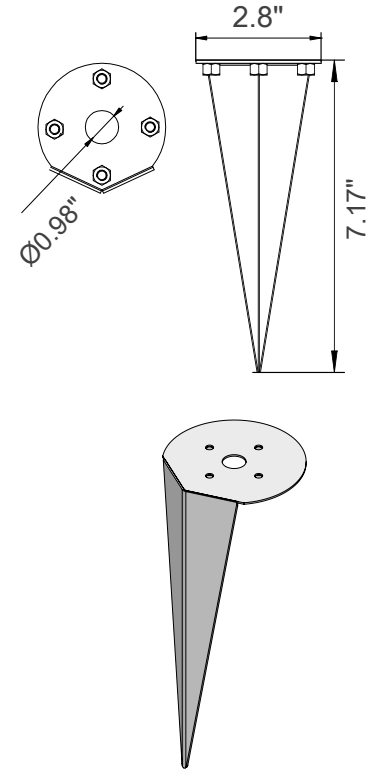
1E3015(*)
Rotation Bracket



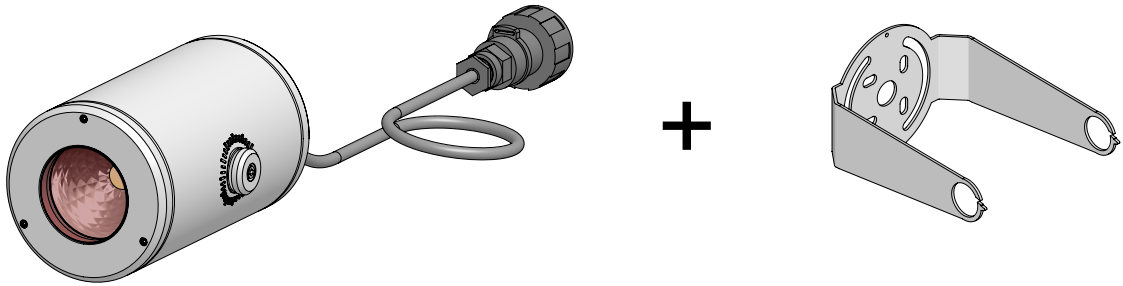
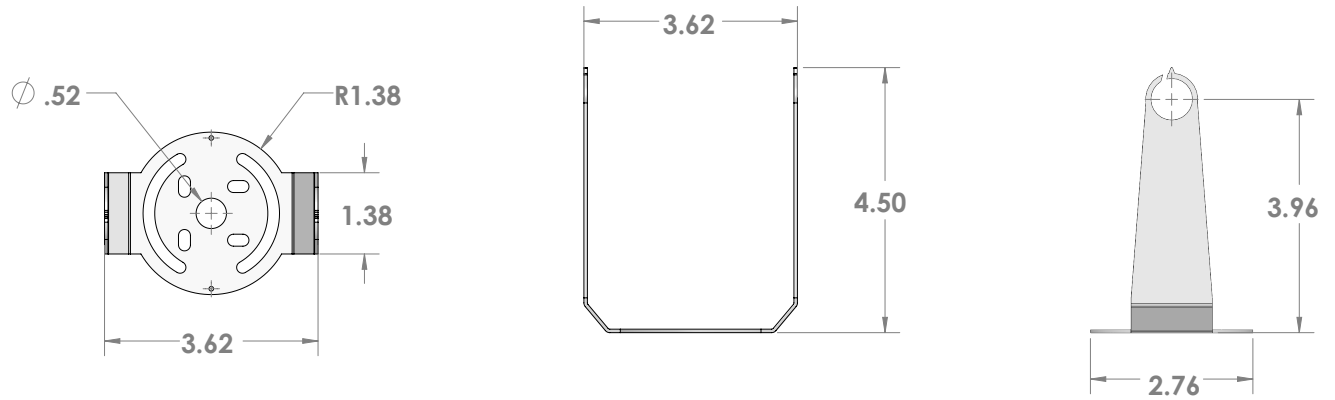
1US3015(*)
Back Plate



1E3016(*)
Earth Spike

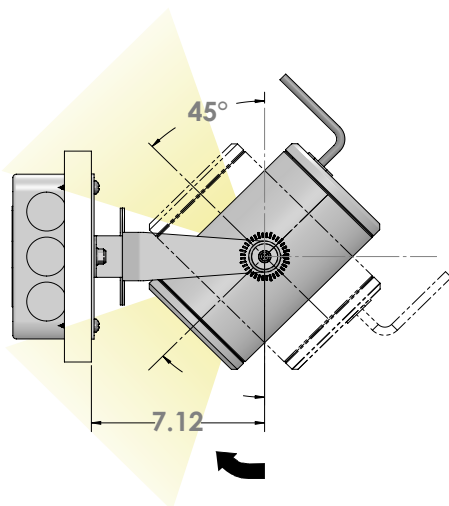


Mounting Installation

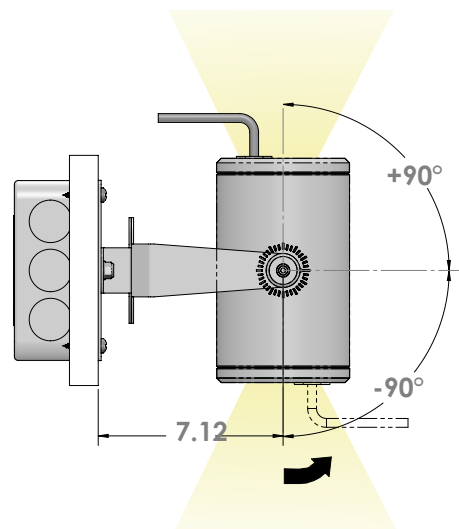


WALL MOUNTED OPTIONS

WALL WASH POSITIONS



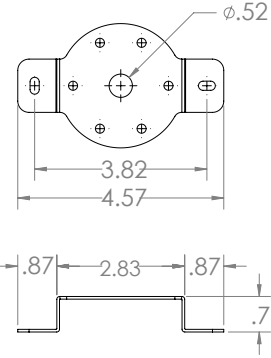
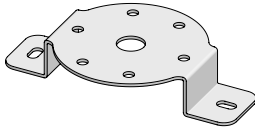
PROJECTOR POSITIONS



Mounting Accessories

Mounting Accessories (Optional)

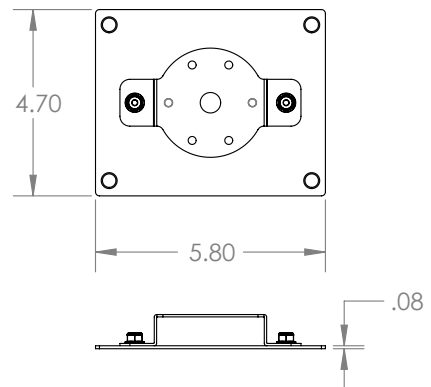
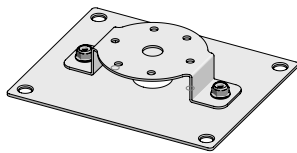
Maximum of one accessory per fixture



Rotational bracket for surface installation. Powder coated stainless steel.

Part No. **1E3015**(*)

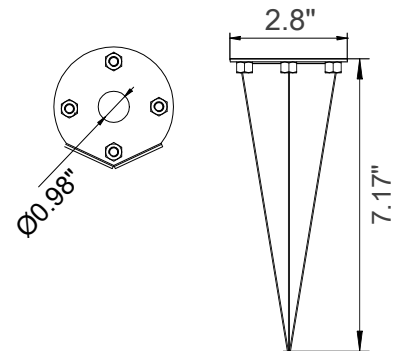
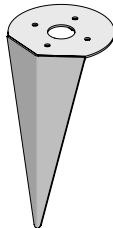
- Ferrite Dark Grey (Default)
- Heritage Brown (HB)*
- Bronze (BZ)*
- White (WT)*
- Black (BT)*
- Sandstone Grey (SG)*



Back plate with rotational bracket for recessed wall J-Box installation. Powder coated stainless steel with Neoprene black foam. Includes 1E3026 and factory attached Stainless Steel black oxide bolts and locking nuts.

Part No. **1US3015** (*)

- Ferrite Dark Grey (Default)
- Heritage Brown (HB)*
- Bronze (BZ)*
- White (WT)*
- Black (BT)*
- Sandstone Grey (SG)*



Earth spike. Powder coated stainless steel.

Part No. **1E3016** (*)

- Ferrite Dark Grey (Default)
- Heritage Brown (HB)*
- Bronze (BZ)*
- White (WT)*
- Black (BT)*
- Sandstone Grey (SG)*

LEAD CABLE (REQUIRED)



Direct burial 20-8 lead cable with IP68 quick disconnect.

<i>Length</i>	10ft	25ft	50ft
---------------	------	------	------

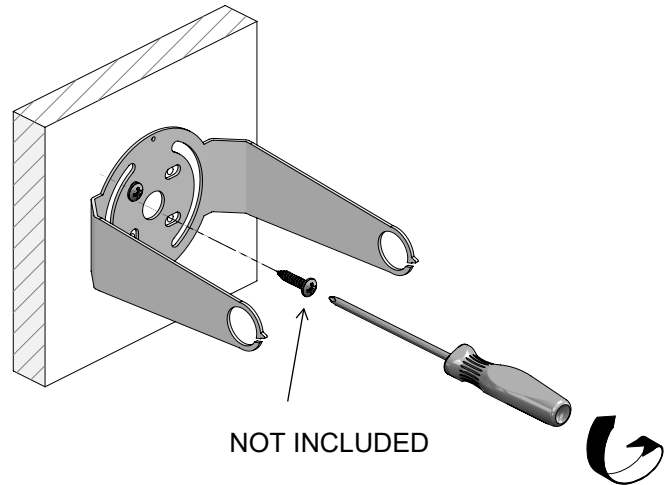
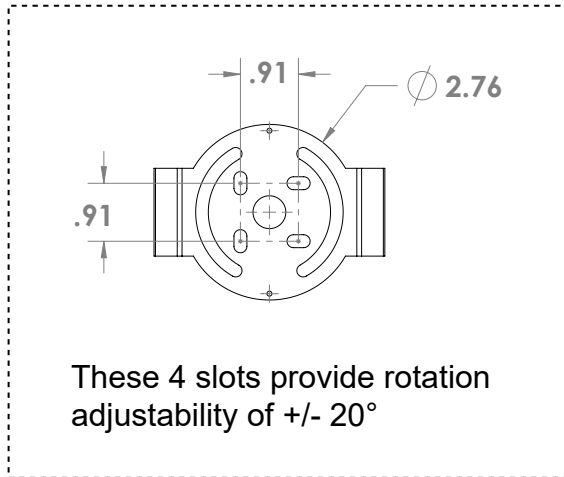
Part No. **DX8PLEAD10** **DX8PLEAD25** **DX8PLEAD50**

Fixture Bracket Installation

Fixture bracket can be installed directly onto mostly any surface.

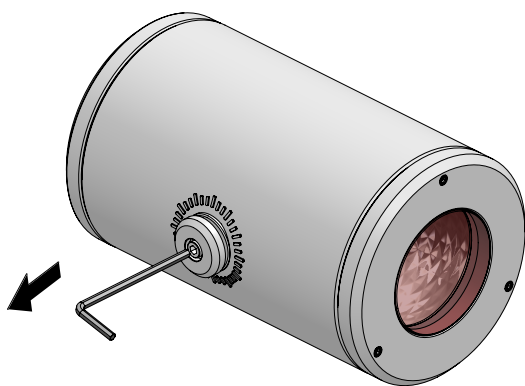
(included 1 per fixture)

Drill 2 holes on the surface at the corresponding distance and then attach bracket using proper hardware depending on mounting surface. Depending on the holes used for mounting, the bracket can provide rotation adjustability of +/-20°.

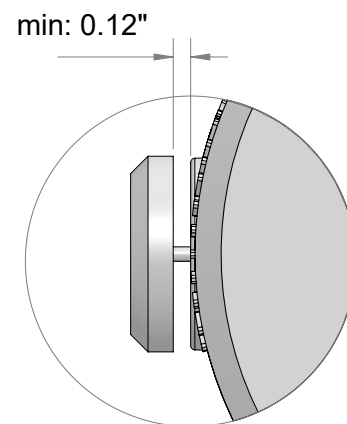


LED Fixture Assembly / Fixture Bracket

To assemble the fixture and the fixture bracket together, use a 3 millimeter Allen wrench to loosen the 2 screws on the sides of the fixture to create a gap of approximately 0.12" between the button and the fixture (Allen wrench provided by others).

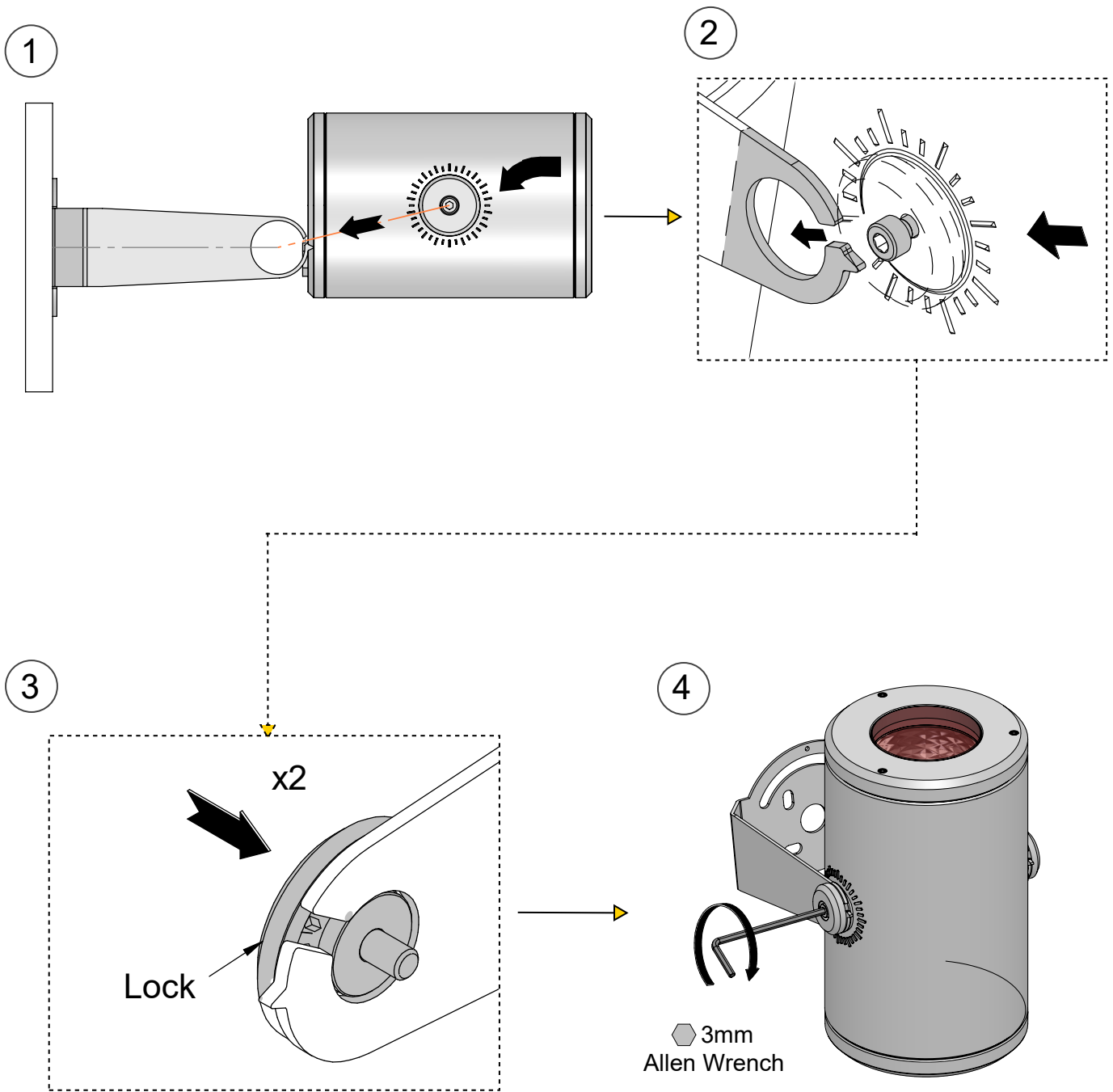


3mm
Allen Wrench



Fixture Bracket Installation

Once both sides have been loosened and the gap was created, insert the bracket into the gaps using the openings at the end of the bracket as shown on images below. Once inserted, aim to the desired angle and tighten.

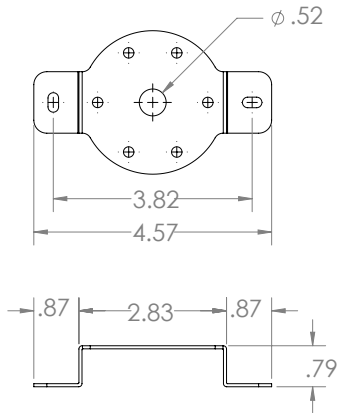
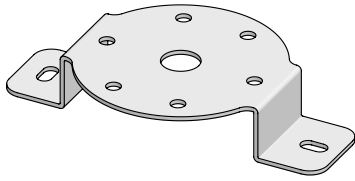


Mounting Installation Cont.

With Rotational Bracket

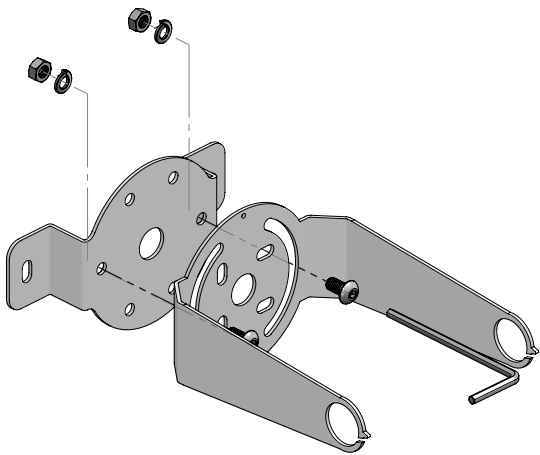
1E3015(*)

1



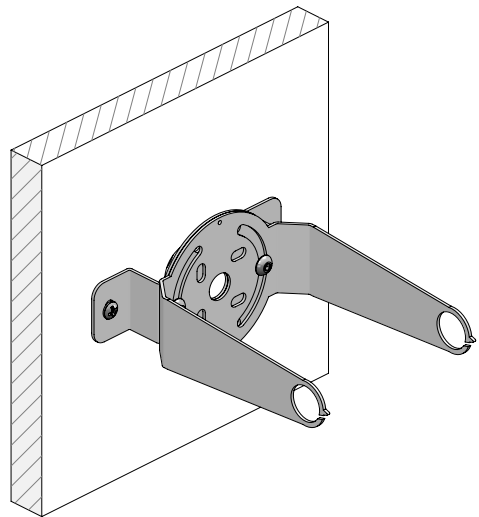
2 Rotation bracket will be leveled, and installed on the mounting surface. Use the appropriate fasteners or anchors to mount the bracket onto mounting surface.

Once the rotation bracket is mounted onto the surface, place the two hex screws through the bracket and rotation plate as shown. Then place the the body of the fixture on top of the mounted bracket. Adjust the fixture to the desire lighting position before locking the two hex screws on top of the mounting bracket.



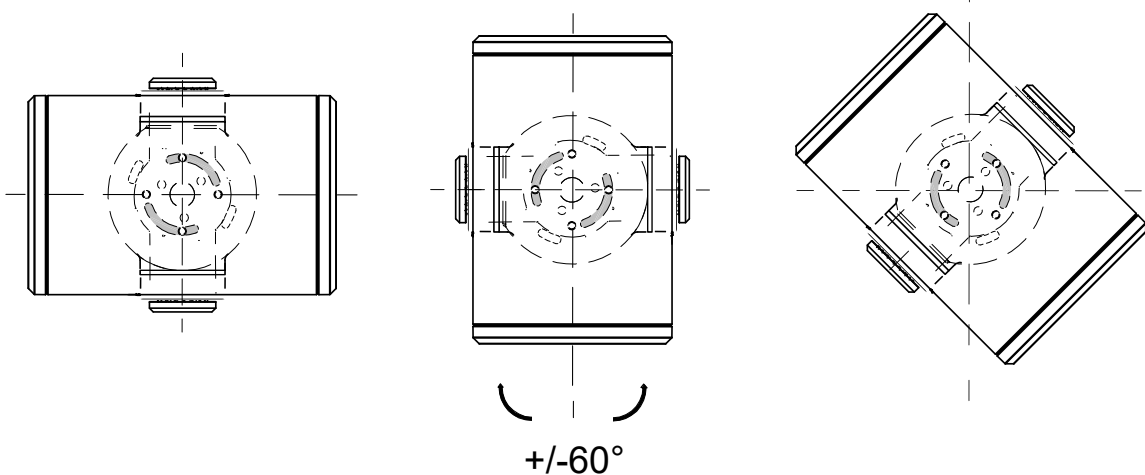
Lock

3mm



3

ADJUSTMENT

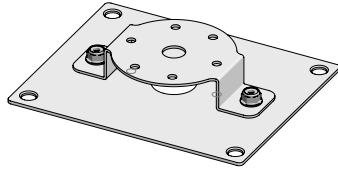


Mounting Installation Cont.

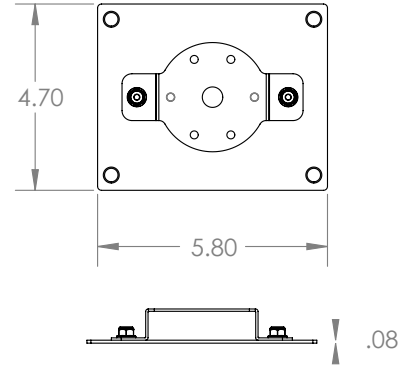
Back Plate with Rotational Bracket

1US3015*

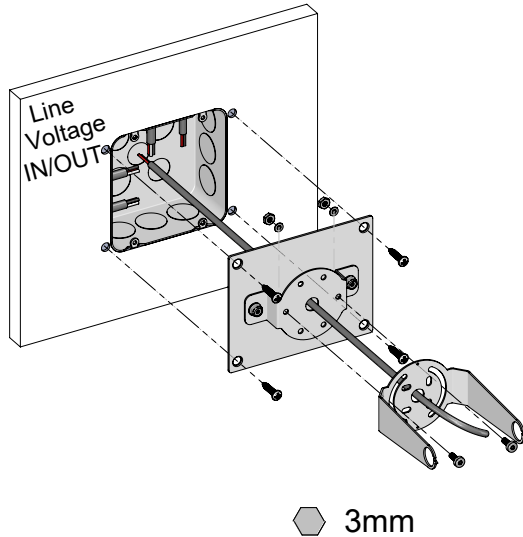
Optional rotation bracket accessory can be mounted onto most surfaces. (Optional 1 per fixture). This accessory is optional to provide complete 360° of mounting positions. Drill 4 holes on the surface at the corresponding distance and then attach the rotation bracket using proper hardware depending on mounting surface.



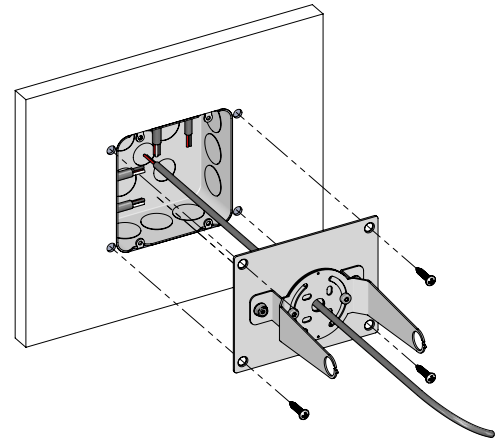
Back Plate



①

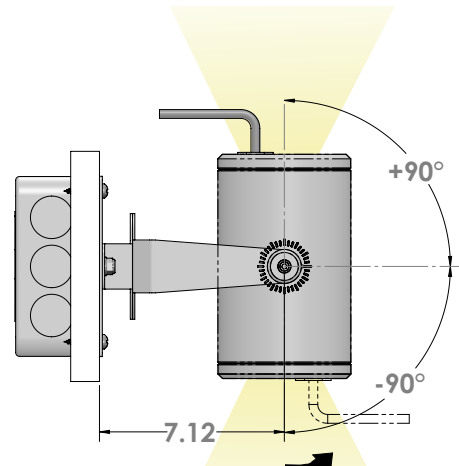
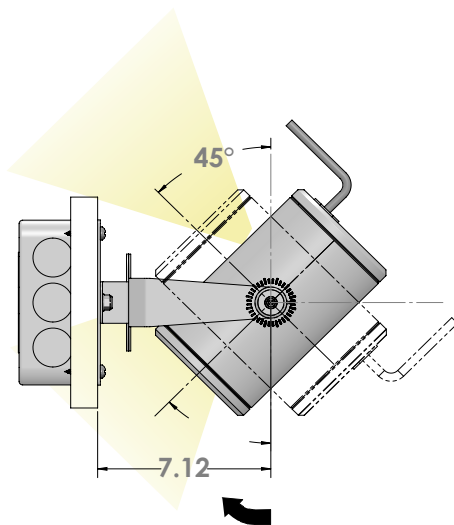


②



Attach the fixture bracket onto the rotation bracket using provided hardware as shown on image. Then adjust fixture at desired angle and tighten.

③

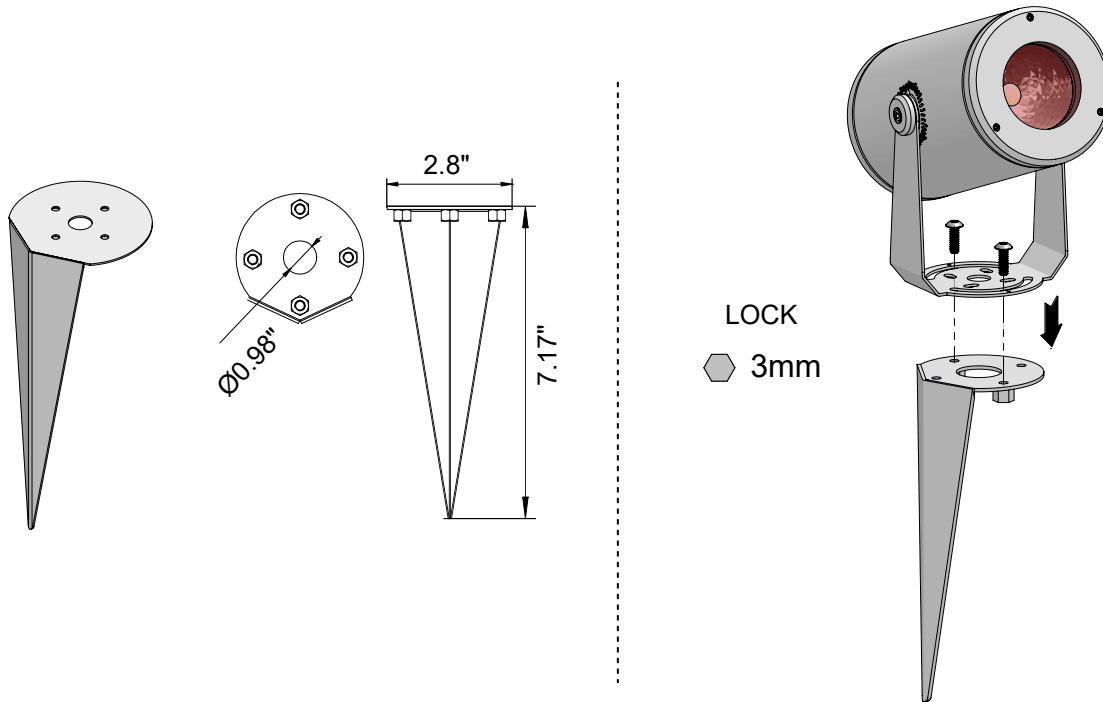


Mounting Installation Cont.

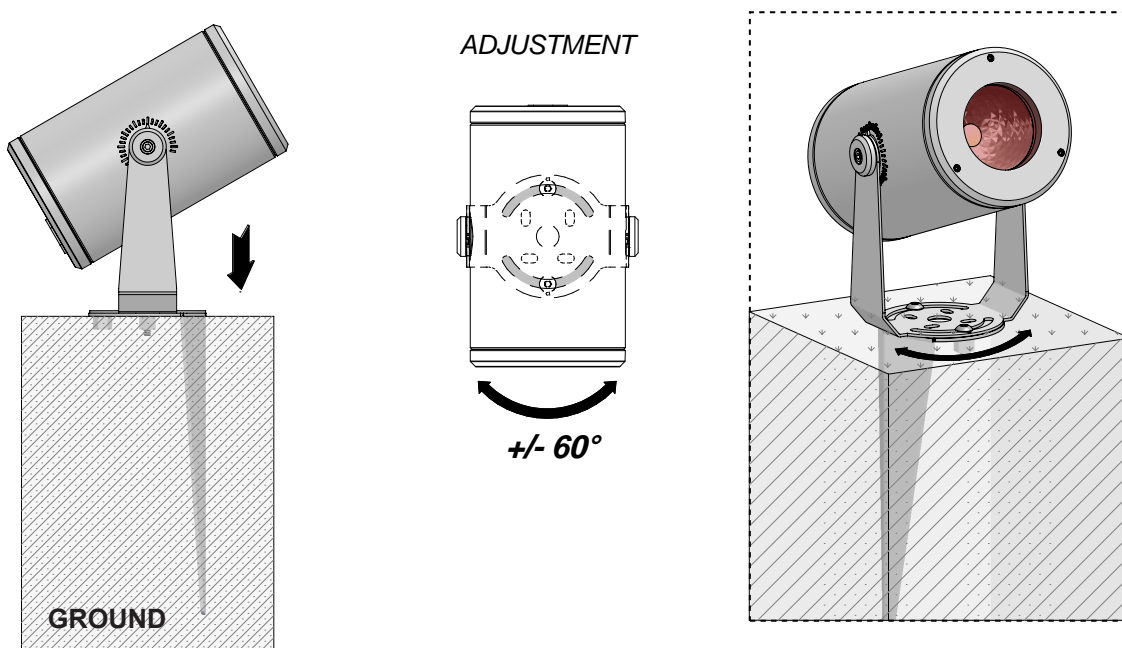
Earthspike Installation

1E3016*

- ① Earthspike will be installed on the mounting ground and should be stable and sturdy before mounting fixture. Use the appropriate fasteners or anchors to mount the bracket onto mounting surface.

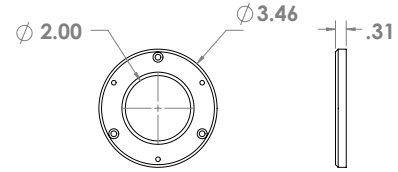
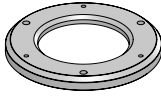


- ② Once the earthspike is mounted onto the surface, place the two hex screws through and place the the body of the fixture on top of the mounted bracket. Adjust the fixture to the desire lighting position before locking the two hex screws on top of the mounting bracket.



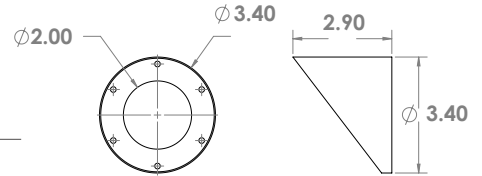
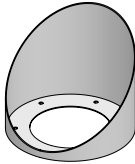
External Optical Accessories (Optional)

Maximum of Two Accessories Per Fixture



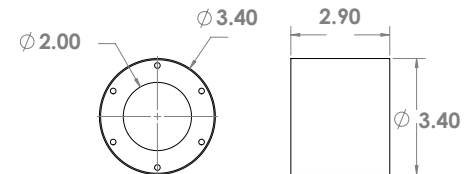
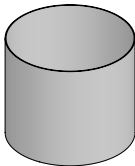
Blade Light Linear Spread Lens. PMMA holographic filter.

Part No. **1E4002 (*)**



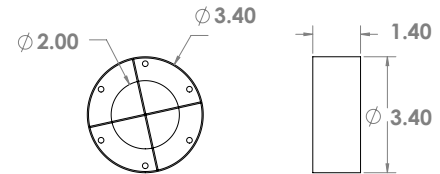
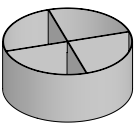
Asymmetric snoot. Powder coated stainless steel. Cutoff 53°. **Not compatible with 1E4004, 1E4005 or 1E4057.**

Part No. **1E4003 (*)**



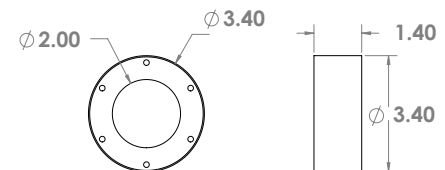
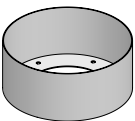
Symmetric super snoot. Powder coated stainless steel. Cutoff 53°. **Not compatible with 1E4003, 1E4004 or 1E4005.**

Part No. **1E4057 (*)**



Anti glare louver with removable baffles for different levels of glare control. Powder coat stainless steel. Cutoff 103°. **Not compatible with 1E4003, 1E4004 or 1E4057.**

Part No. **1E4005(*)**



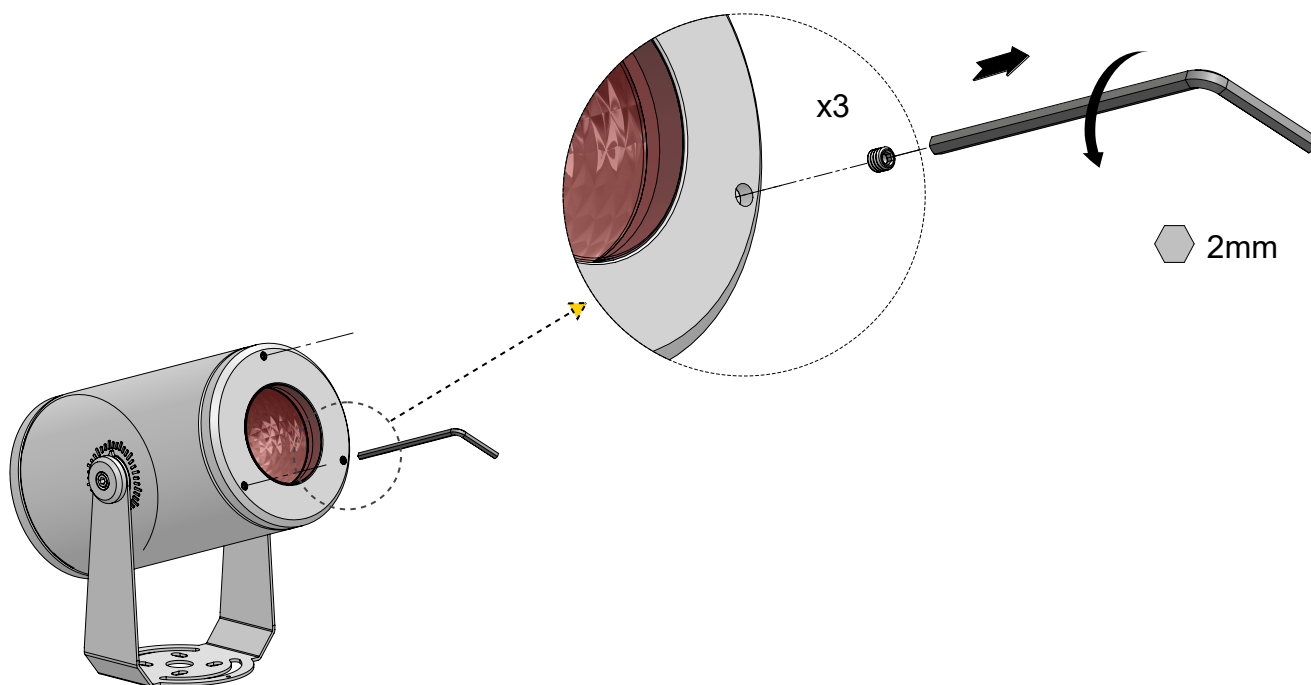
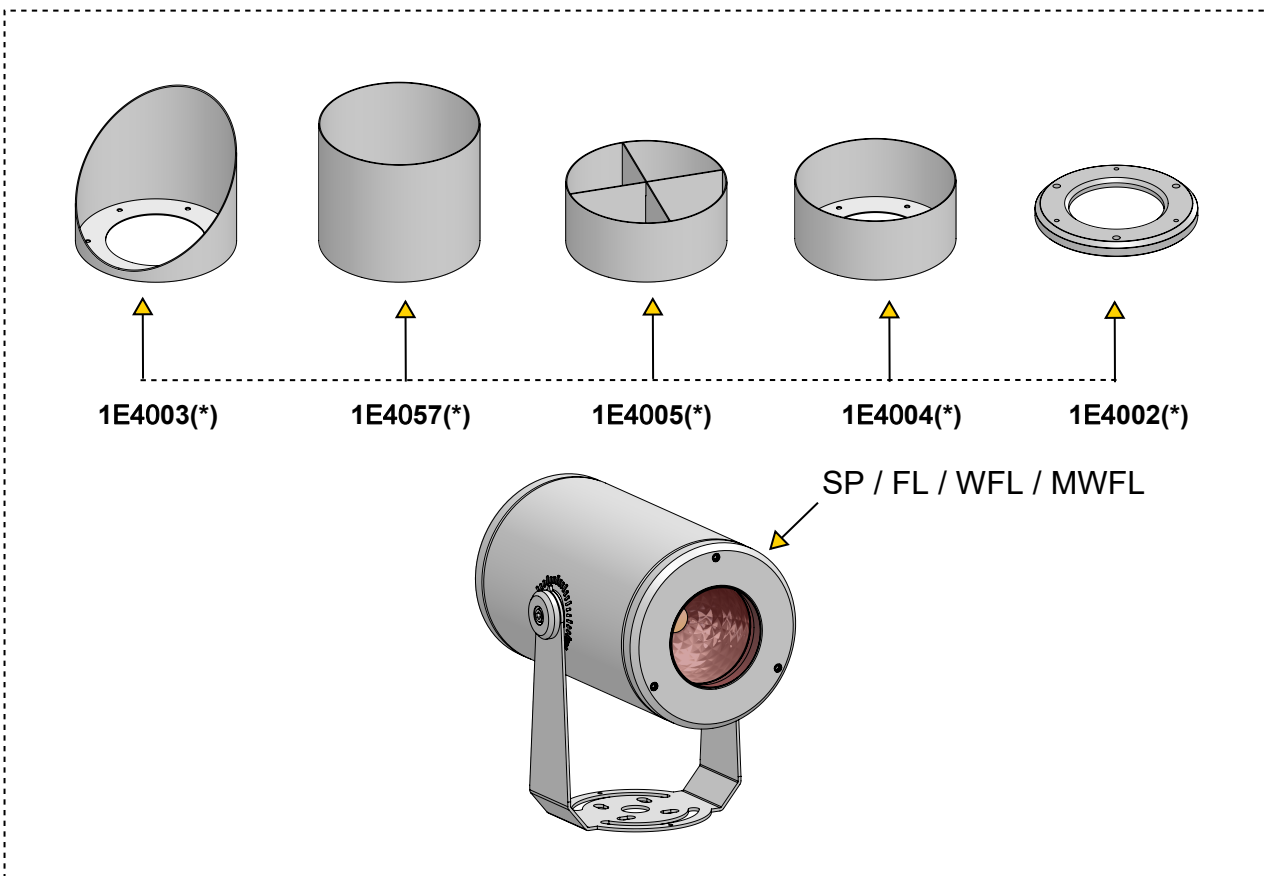
Symmetric snoot. Powder coated stainless steel. Cutoff 109°. **Not compatible with 1E4003, 1E4005 or 1E4057.**

Part No. **1E4004 (*)**

● Ferrite Dark Grey (Default) ● Heritage Brown (HB)* ● Bronze (BZ)* ● White (WT)* ● Black (BT)* ● Sandstone Grey (SG)*

Confirm Specified Accessory (Sold Separately)

**In order to attach accessories onto the fixture, you must first remove the 3 screw caps from the glass screen. Place the blade light filter onto the LED fixture's face, align holes on accessory to holes on fixture. Once the 3 holes are aligned, insert the 3 screws (provided with asymmetric snoot) into the LED fixture head and tighten with a 3mm Allen wrench to complete installation. Maximum of two accessories per fixture.

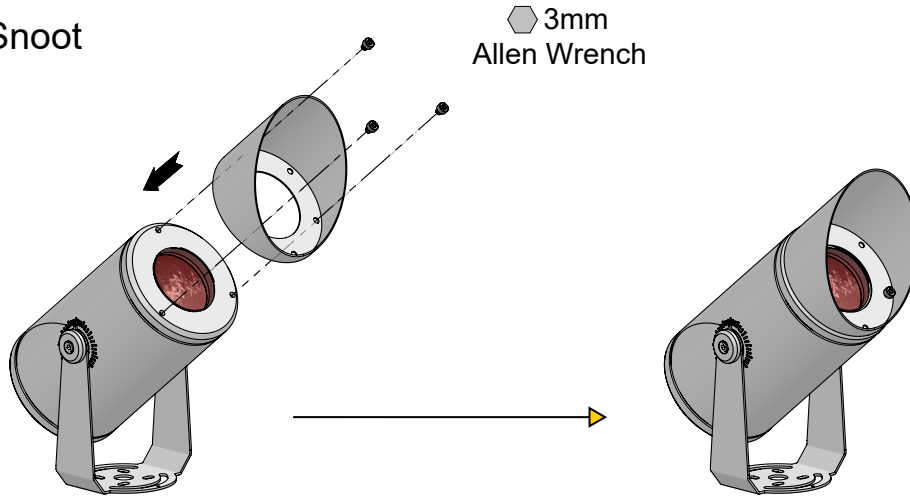


Confirm Specified Accessory Cont. (Sold Separately)

**In order to attach accessories onto the fixture, you must first remove the 3 screw caps from the glass screen. Place the blade light filter onto the LED fixture's face, align holes on accessory to holes on fixture. Once the 3 holes are aligned, insert the 3 screws (provided with asymmetric snoot) into the LED fixture head and tighten with a 3mm Allen wrench to complete installation.

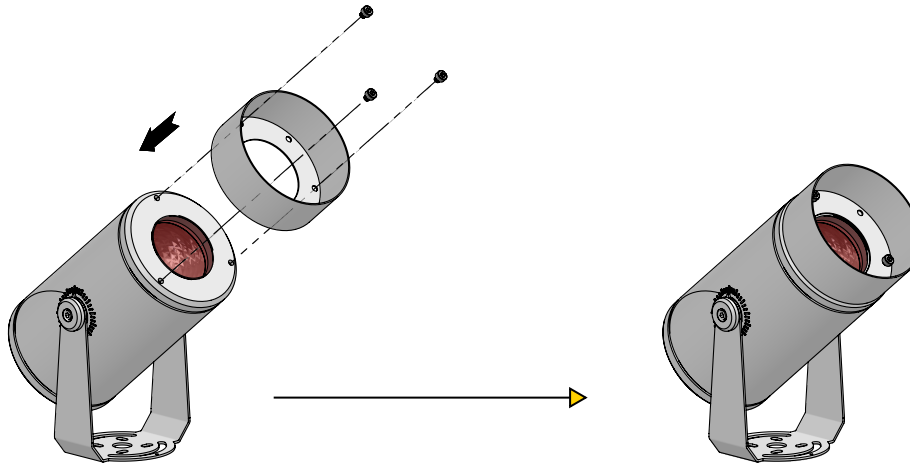
1E4003*

Asymmetric Snoot



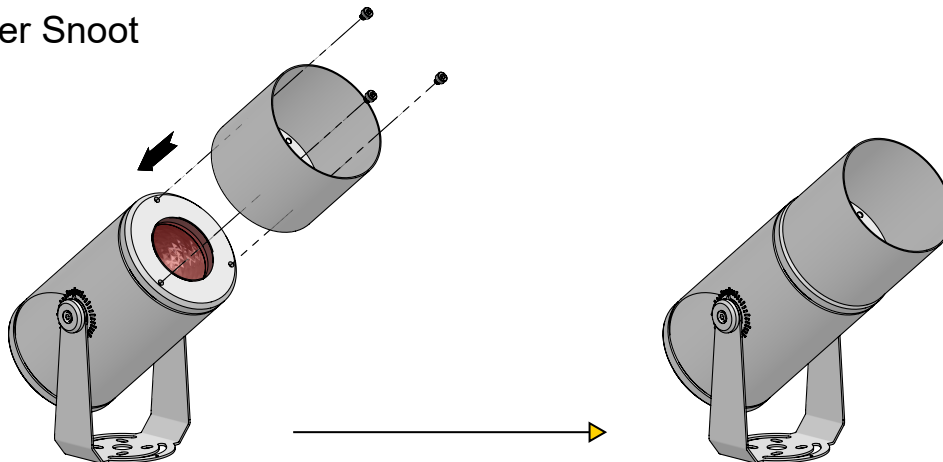
1E4004*

Symmetric Snoot



1E4057*

Symmetric Super Snoot

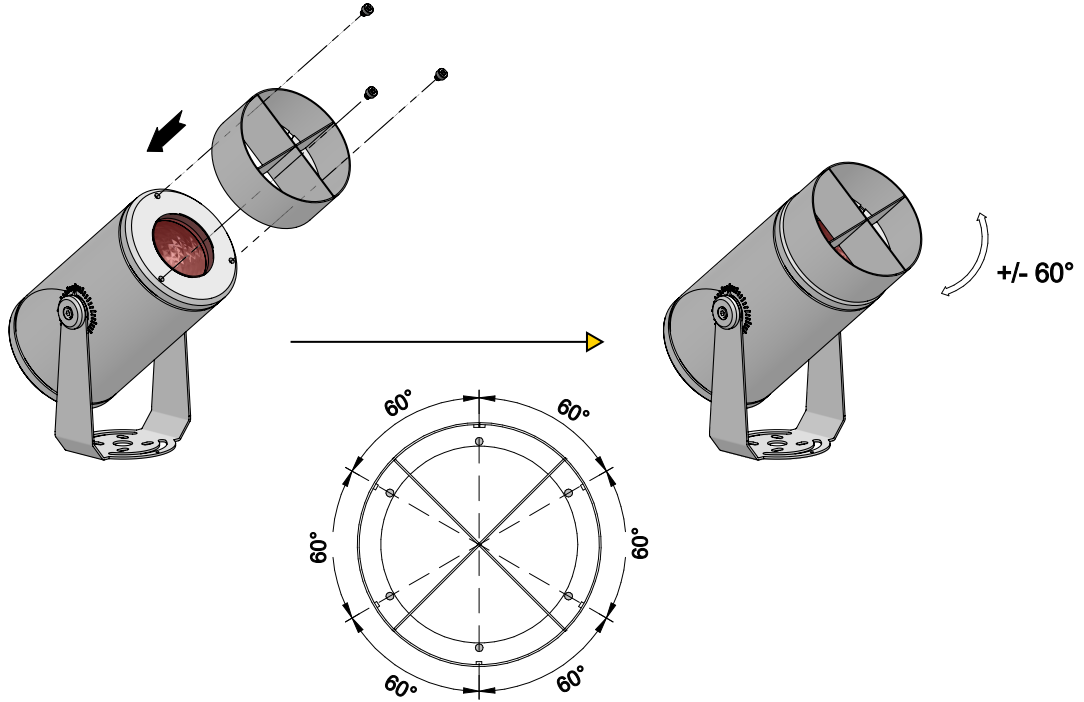


Confirm Specified Accessory Cont. (Sold Separately)

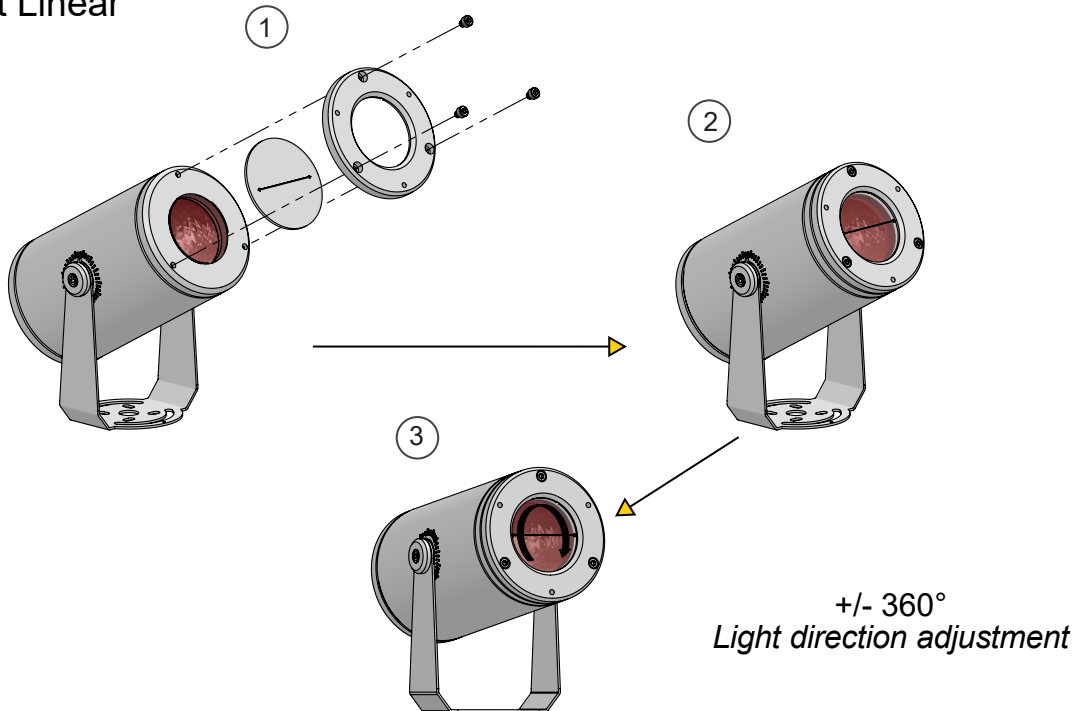
**In order to attach accessories onto the fixture, you must first remove the 3 screw caps from the glass screen. Place the blade light filter onto the LED fixture's face, align holes on accessory to holes on fixture. Once the 3 holes are aligned, insert the 3 screws (provided with asymmetric snoot) into the LED fixture head and tighten with a 3mm Allen wrench to complete installation.

1E4005* Anti-glare Louver

3mm
Allen Wrench

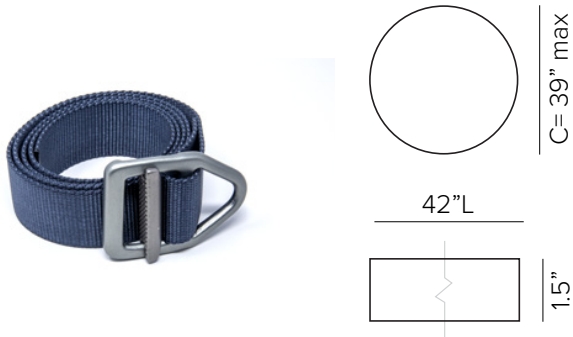


1E4002* Blade Light Linear



Tree Mounting Accessories Installation

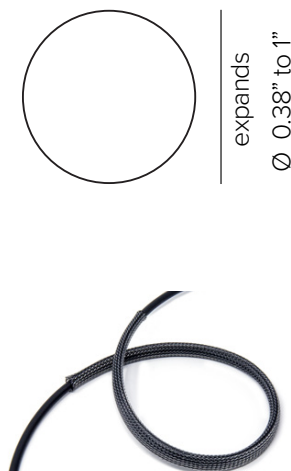
Installation Accessories (Optional) Maximum of one accessory per fixture



Single tree strap comprised of durable Nylon webbing flexible strap with high strength aircraft aluminum V-ring buckle in Gunmetal finish and lock-in loop to prevent slipping. **Strap is made to coordinate with up to 3 fixtures and 1 wiring connection box. Strap fits trees 39" max circumference or smaller. (REQUIRED)**

Finish ● Olive Green ● Coyote Brown
● Graphite Grey

Part No. TTS0101 TTS0102 TTS0103



Fixture bracket comprised of powder coated stainless steel for use with tree strap. **Maximum of 3 brackets can be per single strap. (REQUIRED)**

Finish ● Ferrite Dark Grey ● Bronze

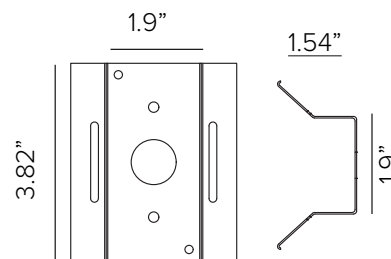
Part No. TTBLT0101 TTBLT0102



Fixture bracket comprised of powder coated stainless steel for use with tree strap. **Maximum of 3 brackets can be per single strap. (REQUIRED)**

Finish ● Ferrite Dark Grey ● Bronze

Part No. TTBLT0101 TTBLT0102



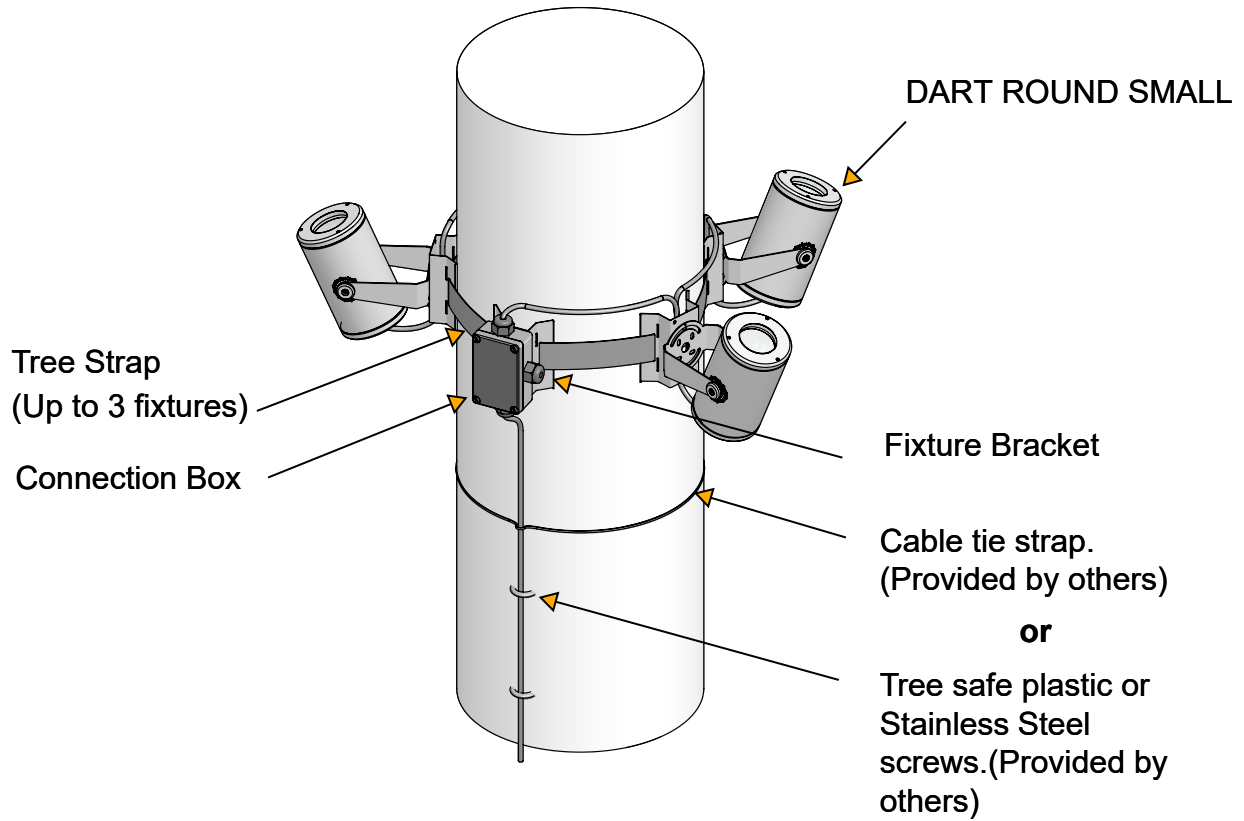
Tree Strap Connection Box. Painted aluminum UL listed 9in3 J-Box with 3ea 3/8" cable glands and 1ea 1/2" cable gland. Mounting bracket for tree strap included. Used to connect multiple 24V DC low voltage cables for one continuous cable connection down the tree to remote driver, additional cable provided by others. **Can be used for up to 3 fixture connections per tree strap. (OPTIONAL)**

Finish ● Ferrite Dark Grey ● Bronze

Part No. TTCB0103FG TTCB0103BZ

Tree Mounting Accessories Installation

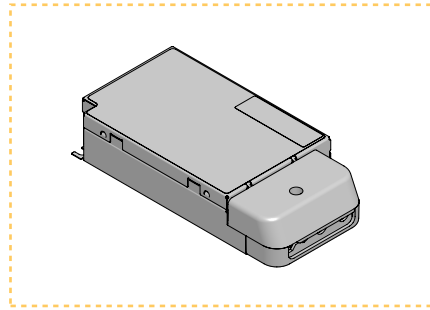
Wiring Configuration



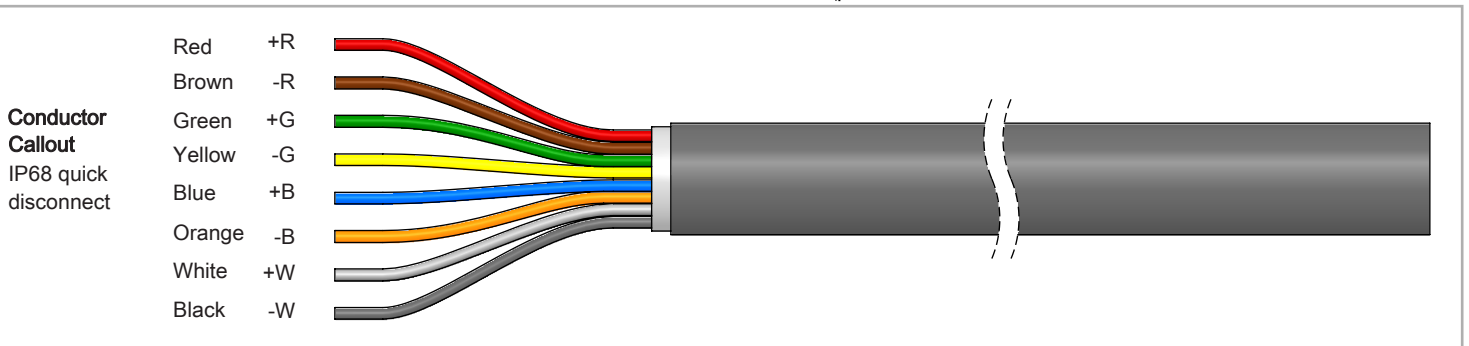
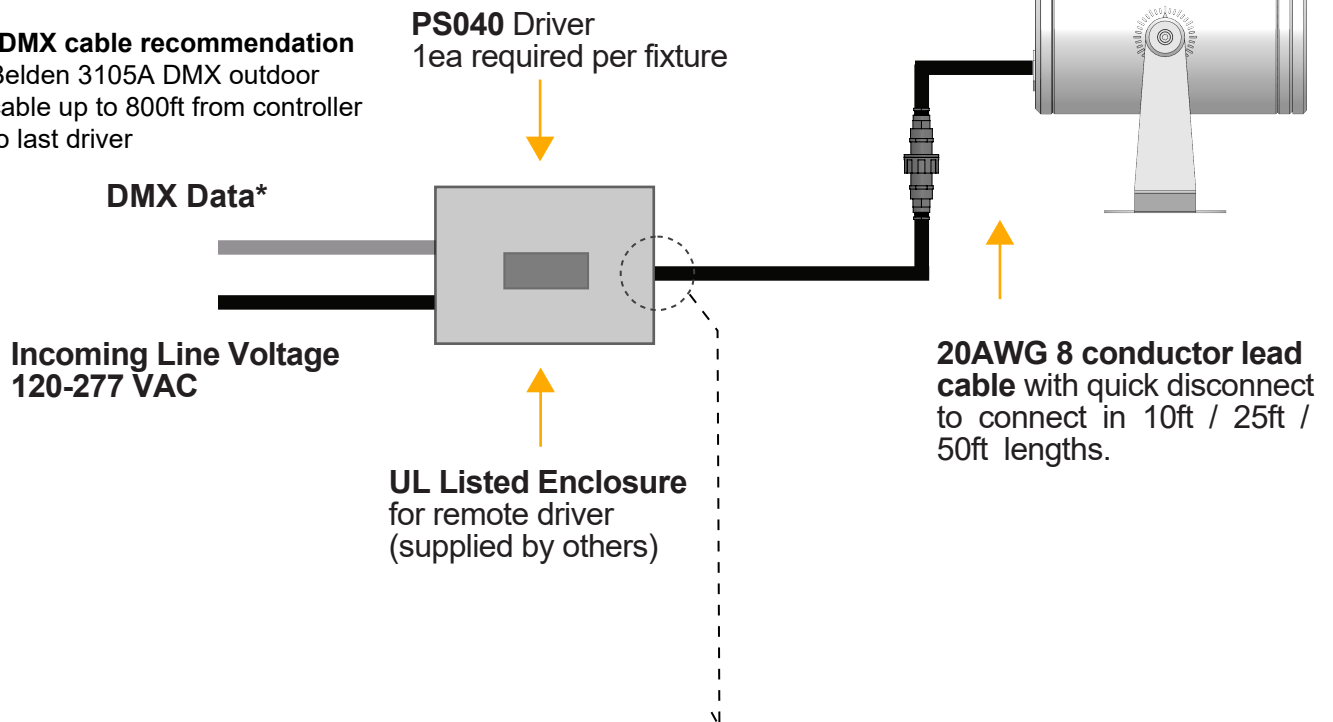
Stand Alone Single Fixture Configuration

STANDALONE

Part No.	Wattage	Control	Dim Range	Certification	In / Out Voltage	Dimensions (Standalone)	Description
PS040	50W 850mA 4 chan	DMX / RDM 1 fixture max	0%	Universal 120-277VAC	UR CLASS 2	6.00" x 3.00" x 1.20"	EldoLED POWERdrive 561/A1 Class 2 Power Supply, side feed only. UL listed enclosure provided by others..



***DMX cable recommendation**
Belden 3105A DMX outdoor
cable up to 800ft from controller
to last driver







DMX Control

Targetti DART ROUND MAXI RGBW Fixture are Individually addressable fixtures with direct DMX Connections through each fixture to the next.

It is required that a project layout and address chart of fixture is supplies for factory addressing and labeling of each fixture per clients. Control Specifications Fixture have a preset default to 1/2 power on the red LED if there is no DMX signal corrected. See below for DMX components and suggested factory service options.

CONTROL (OPTIONAL)

Part No.		Channels	Scenes	Zones	Rating	Voltage	Certification	Dimensions	Description
TGDMXSLES9		256	20	1	Indoor	5.5V DC	ETL, UL	5.3"W x 5.5"H x 1.9D	Nicolaudio Sles9 smart DMX 1/2 universe programmable controller with easy to use software interface.
TGDMXSLES11		1024	5	99	Indoor	5VDC 120V AC <i>Plug in power supply included</i>	ETL	6.3" x 3.6" x 1.8"	Nicolaudio Sles11 smart DMX interface, 2 DMX 512 universes, intuitive backlit keyboard programmable controller with easy to use software interface.
TGDMXSTICKDE3B		1024	10	500	Indoor	6-7V DC 120V AC <i>Plug in power supply included</i>	ETL	5.8" x 4.2" x 0.5"	Nicolaudio intelligent control keypad with glass touch sensitive graphic display, stand-alone DMX 512, 2 universe programmable controller with easy to use software interface. Black finish.
TGDMXSTICKDE3W		1024	10	500	Indoor	6-7V DC 120V AC <i>Plug in power supply included</i>	ETL	5.8" x 4.2" x 0.5"	Nicolaudio intelligent control keypad with glass touch sensitive graphic display, stand-alone DMX 512, 2 universe programmable controller with easy to use software interface. White finish.

DMX CABLE RECOMMENDATION

Targetti USA recommends use of Belden 3105A DMX outdoor cable for homeruns from controller to first fixture. Max distance of 800ft from controller to last fixture.

Service Options

PRE-SHIP ADDRESSING

A Targetti technician shall factory address each fixture per the project addressing chart (provided by customer) prior to shipping. The project addressing chart shall be received prior to fixture shipping. If fixture addressing chart is not received, fixture will be default addressed at 001. Targetti shall not be responsible for delays due to the requested addressing configuration not being provided within the requested time-frame.

ALTERNATIVE

PRGM02

Before, during or after fixture rough in installation is completed, a Targetti technician shall travel to the installation site. The project is reviewed and checked for proper wiring, installation and functionality of the primary power and control systems before Control system operation is switched on. Any installation issues are addressed and resolved with the onsite contractors. All fixture addressing is confirmed and can be changed as required, the the Targetti technician will perform this task in accordance to the intended lighting design. For local installations (within 50mi of Costa Mesa, CA), consult factory. Travel expenses excluded and billed separately.

PRGM03

After fixture installation is complete, a Targetti technician shall travel to the installation site to assist contractor and/or systems integrator to trouble shoot issues that are resulting in non-operation or incorrect function of the system when connector into Control Systems Protocols. The project is reviewed and checked for proper wiring, installation and functionality of the system and proper System data flow from Control, Gateways and Fixtures. Any installation/control issues are addressed and resolved with the onsite contractors. If onsite fixture programming is required, the Targetti technician will perform this task in accordance to the intended lighting design. For local installations (within 50mi of Costa Mesa, CA), consult factory. Travel expenses excluded and billed separately.

PRGM04

A Targetti technician shall provide overall control training for end users / the facility maintenance team. This training covers overall usability of the lighting control(s), focusing on functionality and programming.

Maintenance

This fixture was designed and manufactured for a durable, long lasting use with minimum care. To ensure the maximum lifespan of this product, we encourage our customers to provide a quality visual inspection of the fixture and installation accessories every six months.

If there are any visible signs of issues (i.e moisture or dust) during the inspection, please clean any of the dust or moisture with a soft cloth and check to make sure that any of the fixtures are still operating normally. If there are any issues regarding the fixture, please contact us as we will assist the situation at hand.

Support

Any questions, problems, or comments you have please feel free to contact our Customer Service department during our business hours Monday-Friday 8am-5pm via: Email: usaorders@targetti.com
Phone: (714) 513-1991

Visit our website: <http://www.targettiusa.com>