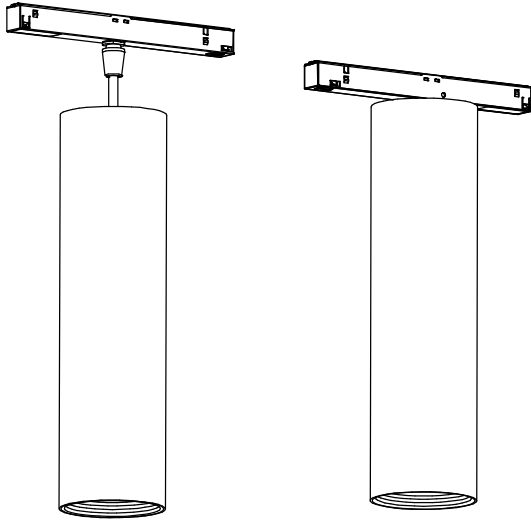




FORTYEIGHT - LABEL 7 TUBE

48LA7-SF, (SU)

LOW VOLTAGE LED TRACK FIXTURE



WARNING

To ensure a maximum efficiency of the product, read the instructions before proceeding to installation



This fixture must be installed by a licensed and qualified electrician. The installer must comply with NEC and local building codes when installing the fixture

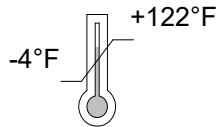


Electrical current can cause painful shock, serious injury, or even death. Make sure you turn off the power supply, ground fixture(s), and make sure all electrical connections are correct and secured tightly

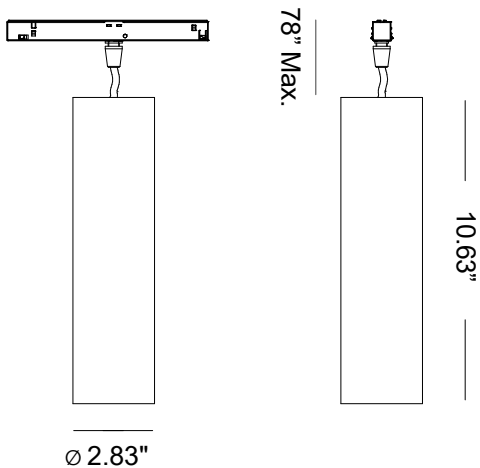


Keep the label of the original packaging if any eventual future claims are needed

48V-DC



Suspension



Surface

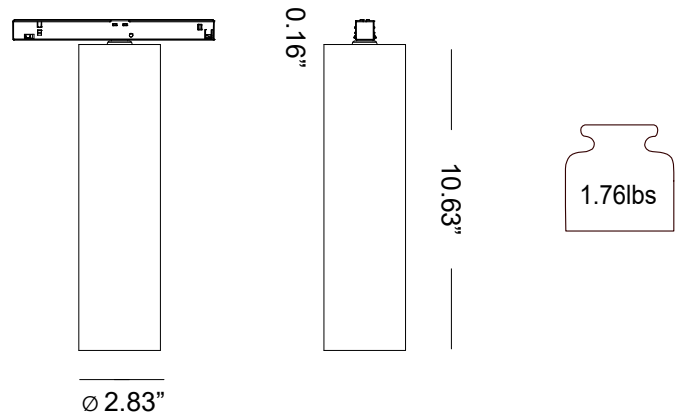
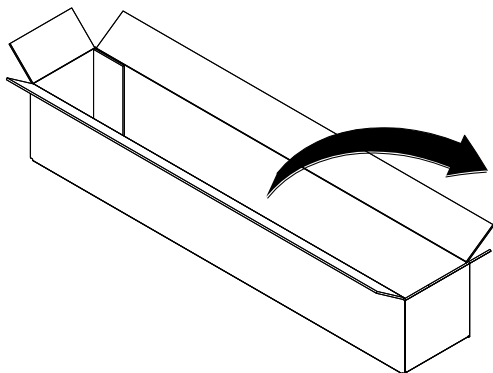


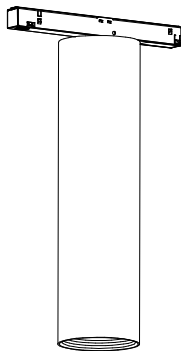
Table of Contents

Packaging Contents / Fixture Dimensions	Pg.2
Control Type Compatibility	Pg.3, 4
Mounting Compatibility	Pg.5
Fixture Installation Instruction	Pg.6/7/8/9
Maintenance / Support	Pg.10

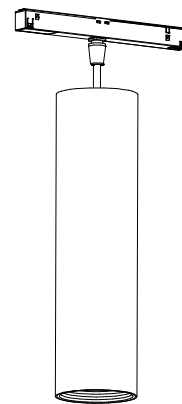
Packaging Contents



BOX 12" x 4" x 4" @1.76lbs



FORTYEIGHT LABEL 7 TUBE
SURFACE 1EA.

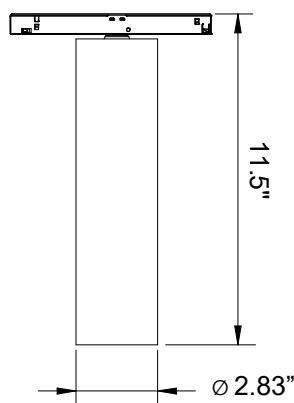


FORTYEIGHT LABEL 7 TUBE
SUSPENSION 1EA.

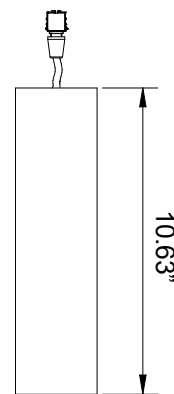
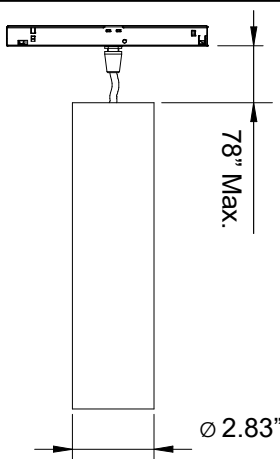
Fixture Dimensions

FORTYEIGHT LABEL 7 TUBE
SURFACE

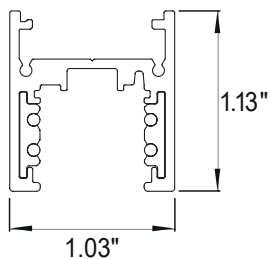
*Short bracket version is not comparable with with Multisystem Recessed Deep Trimless track.



FORTYEIGHT LABEL 7 TUBE
SUSPENSION

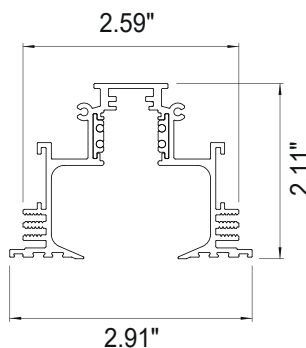


FORTYEIGHT MULTISYSTEM TRACK (SOLD SEPARATELY)



**FORTYEIGHT
MULTISYSTEM SURFACE/
SUSPENSION**

9500-UL/W-ST6-E, (B-ST6-E)
9500-UL/W-ST6-E, (B-ST6-E)



**FORTYEIGHT
MULTISYSTEM
RECESSED DEEP
TRIMLESS**

9500-UL1/W2-TA1-E, (B-TA1-E)
9500-UL2/W2-TA1-E, (B-TA1-E)

Control Type Compatibility

0-10v and Dali Direct Control

0-10V or Dali Direct

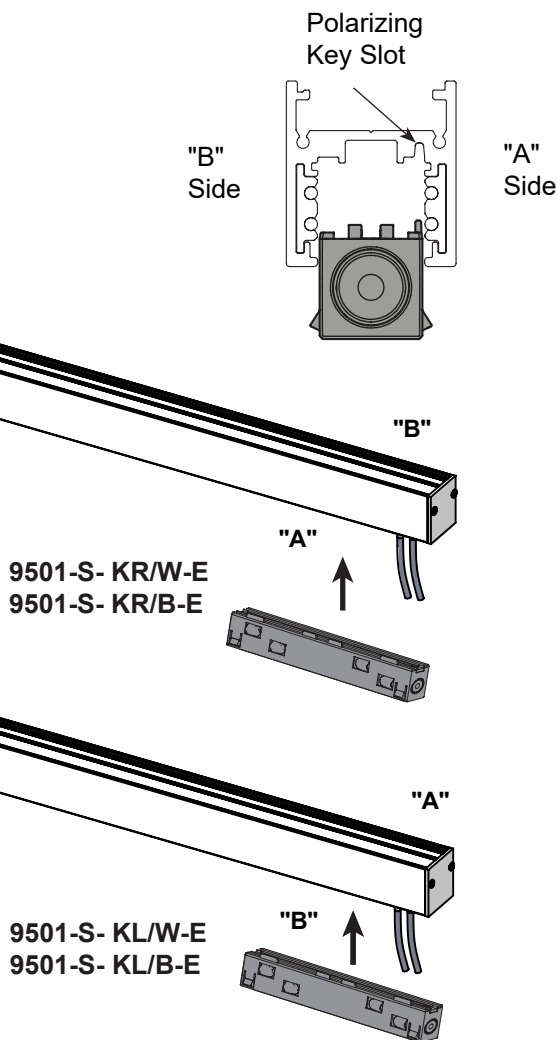
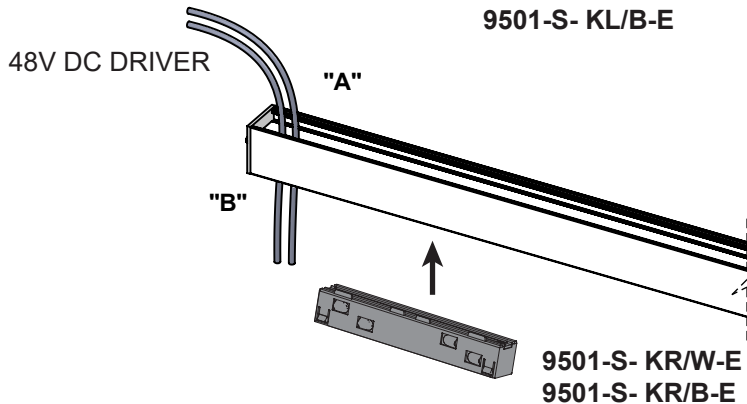
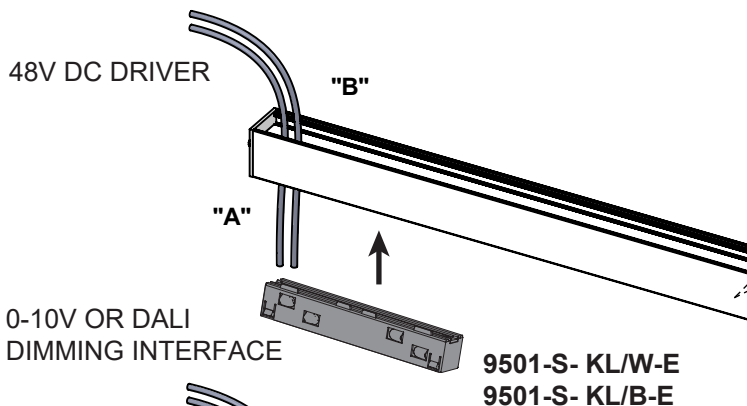
For 0-10V and Dali Hardwired direct control of the FORTYEIGHT SYSTEM fixtures, the 48V DC power and dimming control wires are connected separately to the same end feed. The Targetti supplied drivers are used as power supplies only without dimming control. The 0-10V or Dali control is supplied to the track directly from the 0-10V or Dali Control Interface to provide dimming operation of the fixtures.

For 0-10V control, confirm that fixtures have the "10" inclusion in part numbers.

For direct Dali control, confirm that fixtures have the "DA" inclusion in the part numbers, confirm that the Track System is installed with the following drivers:

ENCLOSURE								
Part No.	Wattage	Control	Dim Range	Rating	In / Out Voltage	Certification	Dimensions (Enclosure)	Description
PS052	40W	0-10V / DALI / WIRELESS / CASAMBI	0%	NEMA3R	120-277V / 48V	UL CLASS 2	6.3" x 10.79" x 2.17"	MEAN WELL HLG ELECTRONIC DRIVER COMPATIBLE WITH FORTYEIGHT DALI / WIRELESS BLUETOOTH CONTROL CASAMBI INTERFACE.
PS051	60W	0-10V / DALI / WIRELESS / CASAMBI	0%	NEMA3R	120-277V / 48V	UL CLASS 2	6.3" x 10.79" x 2.17"	MEAN WELL HLG ELECTRONIC DRIVER COMPATIBLE WITH FORTYEIGHT DALI / WIRELESS BLUETOOTH CONTROL CASAMBI INTERFACE.
PS050	96W	0-10V / DALI / WIRELESS / CASAMBI	0%	NEMA3R	120-277V / 48V	UL CLASS 2	6.3" x 10.79" x 2.17"	MEAN WELL HLG ELECTRONIC DRIVER COMPATIBLE WITH FORTYEIGHT DALI / WIRELESS BLUETOOTH CONTROL CASAMBI INTERFACE.

0-10V OR DALI DIMMING INTERFACE



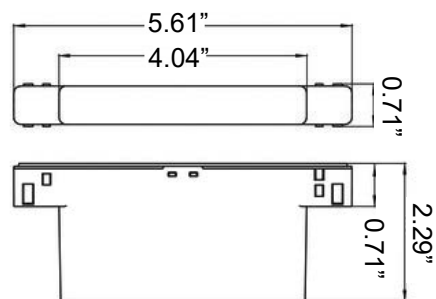
Control Compatibility Cont. Casambi Wireless Control

Casambi

The Dali version fixtures can also be controlled from Casambi Wireless Bluetooth with the addition of our APP1-M-CO Track Mounted Casambi Adapter. The 48V DC is connected to the track feed as typical, but the Casambi Wireless Adapter is attached to the track to control all fixtures on that track via the track dimming conductor connections. Fixture control can be split to up to 4 separate control group of fixtures connected to the same interface.

For Casambi Wireless System Configurations, confirm that the fixtures supplied have "DA" in the part numbers and that the Casambi Wireless Adapter is supplied for each separate track run.

INTERFACE (OPTIONAL)



Wireless bluetooth interface. Generates a local bus per run for individual fixture control for up to 96W max or 64 fixtures. Can control fixtures in indoor applications via [Casambi wireless bluetooth protocol](#). **Only to be used with Dali/Wireless Bluetooth Casambi version of FORTYEIGHT fixture range.**

Finish White Black

Part No. **APP1-M-CO-9519/W-E** **APP1-M-CO-9519/B-E**

ENCLOSURE								
Part No.	Wattage	Control	Dim Range	Rating	In / Out Voltage	Certification	Dimensions (Enclosure)	Description
PS052	40W	VIA DALI / WIRELESS CASAMBI INTERFACE	0%	NEMA3R	120-277V / 48V	UL CLASS 2	6.3" x 10.79" x 2.17"	MEAN WELL HLG ELECTRONIC DRIVER COMPATIBLE WITH FORTYEIGHT DALI / WIRELESS BLUETOOTH CONTROL CASAMBI INTERFACE.
PS051	60W	VIA DALI / WIRELESS CASAMBI INTERFACE	0%	NEMA3R	120-277V / 48V	UL CLASS 2	6.3" x 10.79" x 2.17"	MEAN WELL HLG ELECTRONIC DRIVER COMPATIBLE WITH FORTYEIGHT DALI / WIRELESS BLUETOOTH CONTROL CASAMBI INTERFACE.
PS050	96W	VIA DALI / WIRELESS CASAMBI INTERFACE	0%	NEMA3R	120-277V / 48V	UL CLASS 2	6.3" x 10.79" x 2.17"	MEAN WELL HLG ELECTRONIC DRIVER COMPATIBLE WITH FORTYEIGHT DALI / WIRELESS BLUETOOTH CONTROL CASAMBI INTERFACE.

Mounting Compatibility

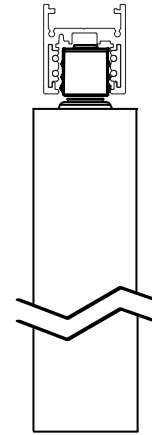
To install the fixture in the recessed track, The FORTYEIGHT Label 7 Tube must have the long bracket attachment. Short bracket fixtures will not work and will damage the fixture's track connector. With the long bracket attachment, The FORTYEIGHT Label 7 Tube fixtures follow the same installation instruction from page 4. Long bracket fixtures do not lose aiming adjustment installed in recessed and trimless track.

FORTYEIGHT MULTISYSTEM SURFACE/
SUSPENSION TRACK show with
FORTYEIGHT LABEL 7 TUBE (SF)
SURFACE fixture version.

NOTE: (SF) Surface fixture version NOT
compatible with
FORTYEIGHT RECESSED TRIMLESS DEEP
TRACK.

9500-UL/W-ST6-E, (B-ST6-E)

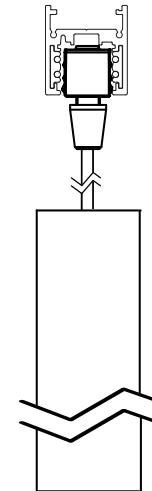
9500-UL/W-ST6-E, (B-ST6-E)



FORTYEIGHT MULTISYSTEMSURFACE/
SUSPENSION TRACK shown with **FORTYEIGHT**
LABEL 7 TUBE (SU) SUSPENSION fixture version.

9500-UL/W-ST6-E, (B-ST6-E)

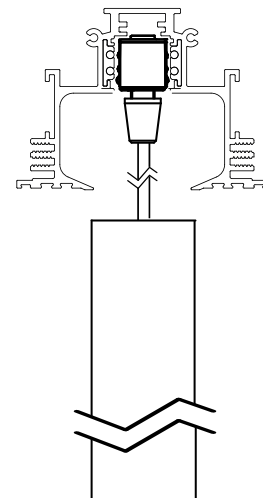
9500-UL/W-ST6-E, (B-ST6-E)



FORTYEIGHT RECESSED TRIMLESS DEEP TRACK
shown with **FORTYEIGHT LABEL 7 TUBE (SU)**
SUSPENSION fixture version.

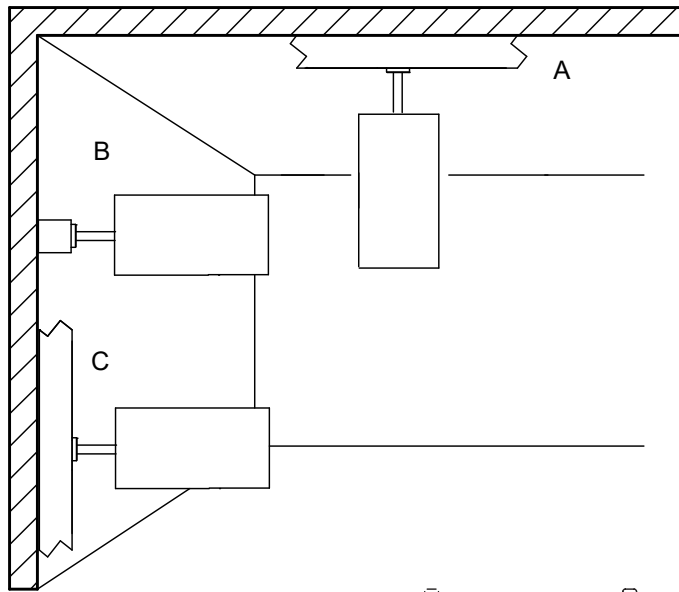
9500-UL1/W2-TA1-E, (B-TA1-E)

9500-UL2/W2-TA1-E, (B-TA1-E)

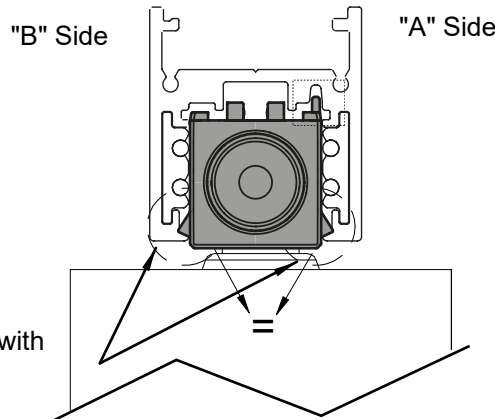


Fixture Installation Instructions

- 1) Be sure that power to track is turned off for installation and removal of fixture from track. Doing to under power will damage fixture internal drive/dimming.
- 2) The FORTYEIGHT Label 7 Tube fixture is used for ceiling mount and can not used for wall mount with horizontal lighting, and for wall mount with vertical lighting. This fixture's mounting style can only be applied to Targetti's Low Voltage Track System only (see FORTYEIGHT track installation guide for more details.)
- 3) To install the fixture, simply align the fixture's track connector with the installed track, and vertically stick the track connector inside the track until you hear the track connector snap into position with its plastic side clips. The snapping sound of the fixture locking into the track confirms that the fixture is secured on the track.



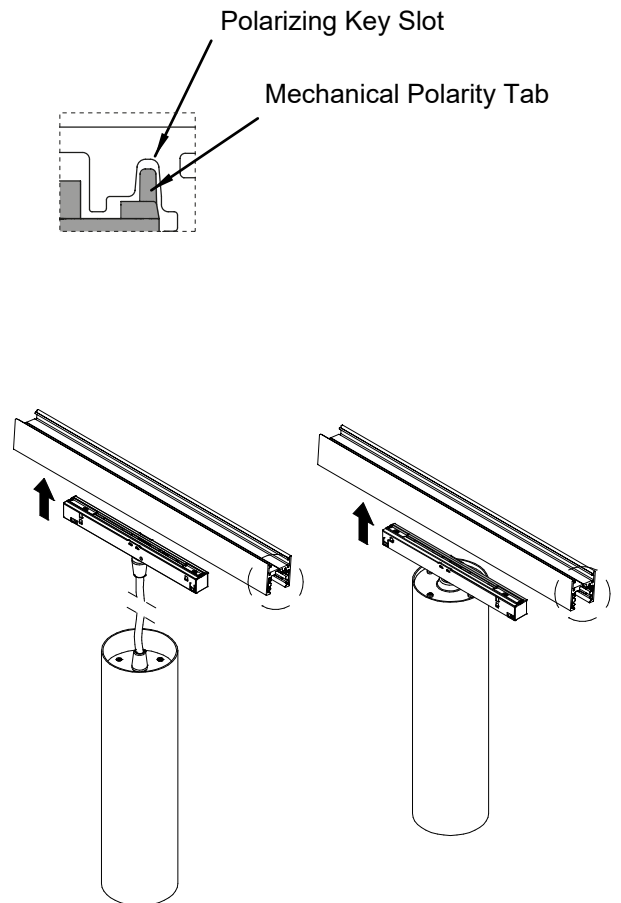
- A: Ceiling Mount ✔
- B: Wall Mount with Horizontal Lighting ✘
- C: Wall Mount with Vertical Lighting ✘



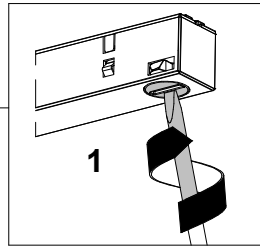
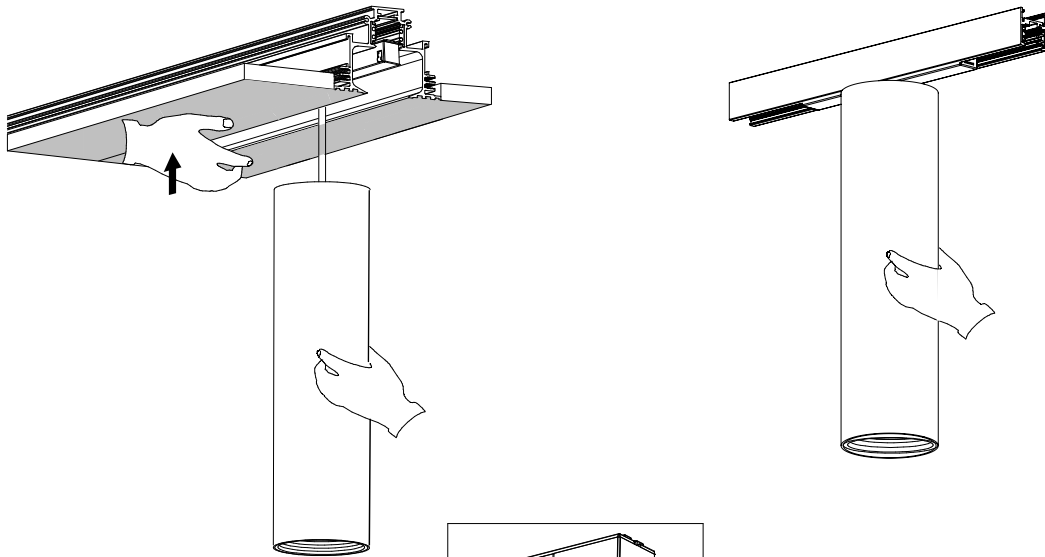
Fixture secures to track with plastic side clips

*Track is shipping with "A" and "B" Labeling for correct Polarity.

*Be sure Mechanical Polarity Tab are installed match with Polarizing Key Slot.

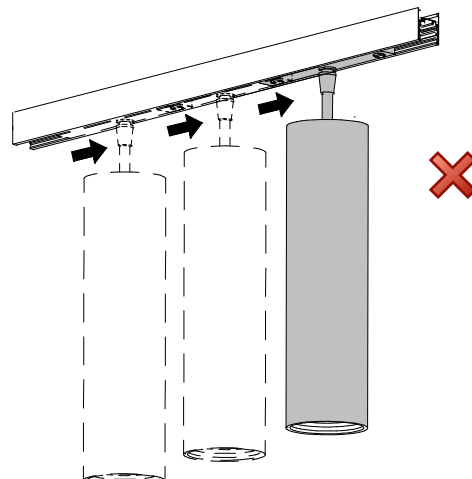
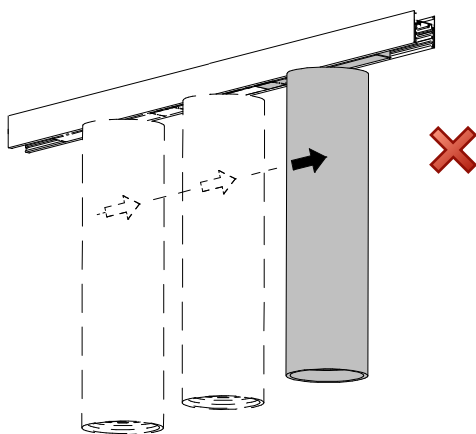
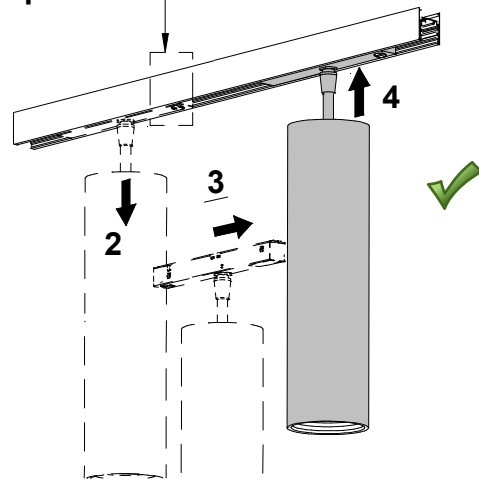
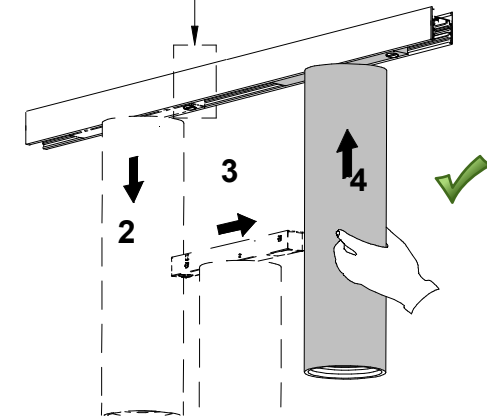


Fixture Installation Instructions Cont



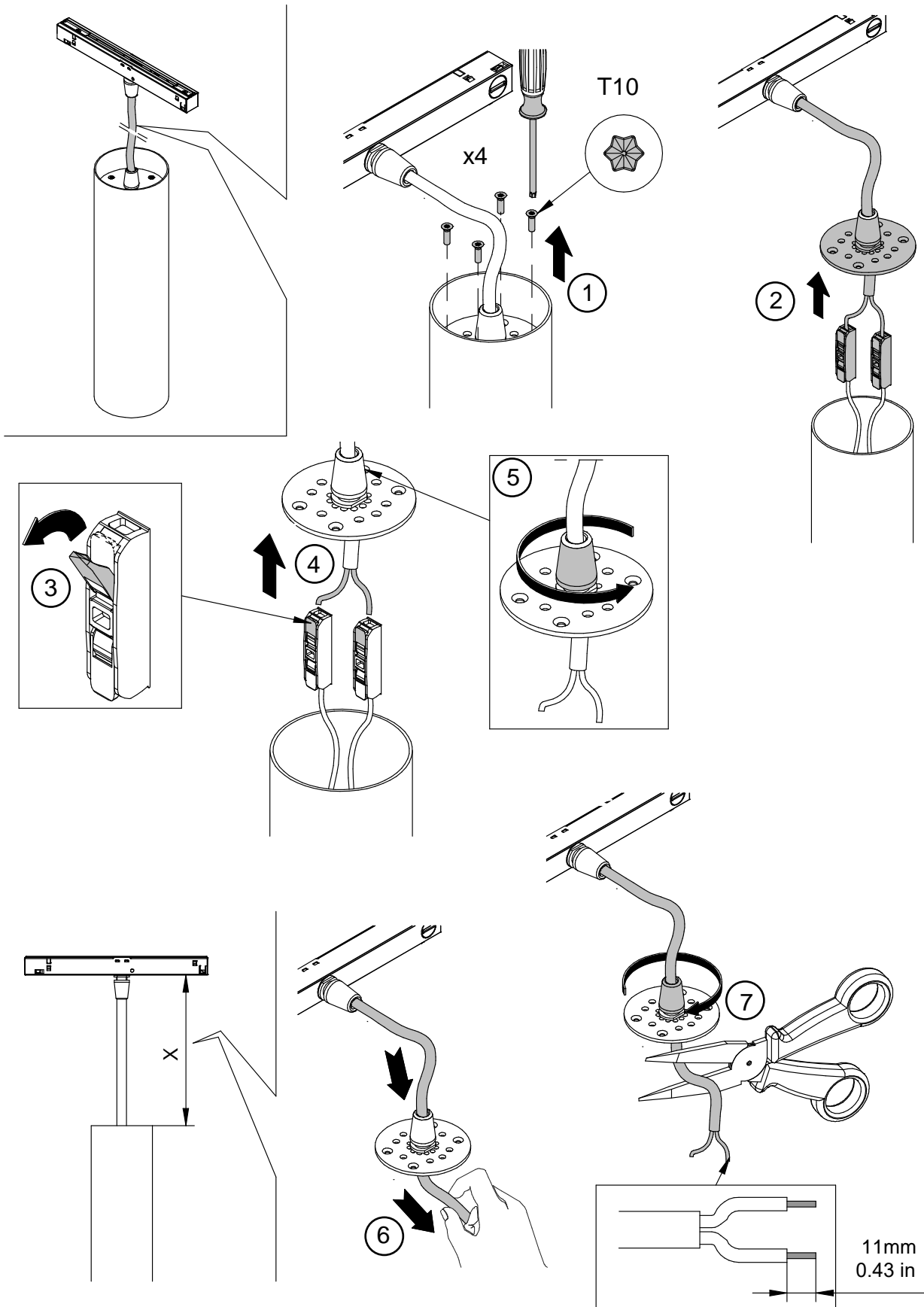
Surface

Suspended



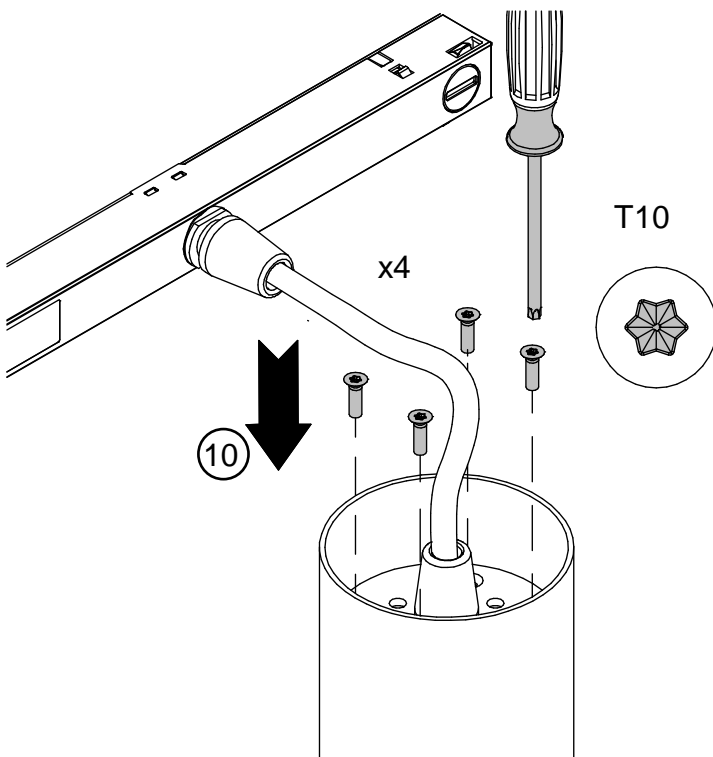
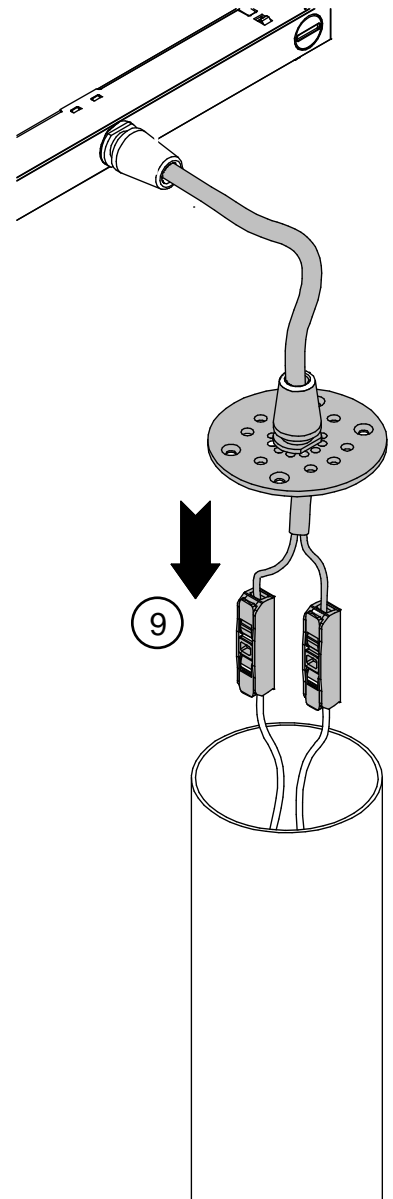
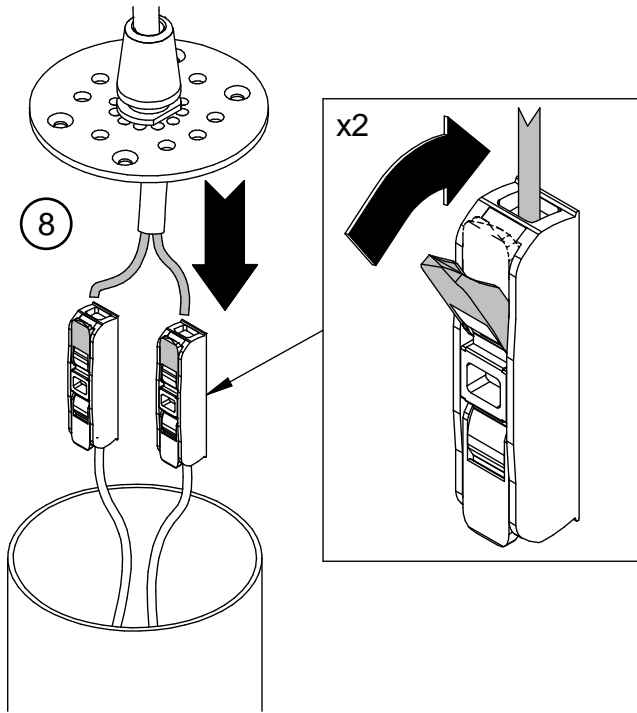
Fixture Installation Instructions Cont

Suspension Cable Adjust



Fixture Installation Instructions Cont

Suspension Cable Adjust Cont.



Maintenance

This fixture was designed and manufactured for a durable, long lasting use with minimum care. To ensure the maximum lifespan of this product, we encourage our customers to provide a quality visual inspection of the fixture and installation accessories every six months.

If there are any visible signs of issues (i.e moisture or dust) during the inspection, please clean any of the dust or moisture with a soft cloth and check to make sure that any of the fixtures are still operating normally. If there are any issues regarding the fixture, please contact us as we will assist the situation at hand.

Support

Any questions, problems, or comments you have please feel free to contact our Customer Service department during our business hours Monday-Friday 8am-5pm via: Email: usaorders@targetti.com
Phone: (714) 513-1991

Visit our website: <http://www.targettiusa.com>