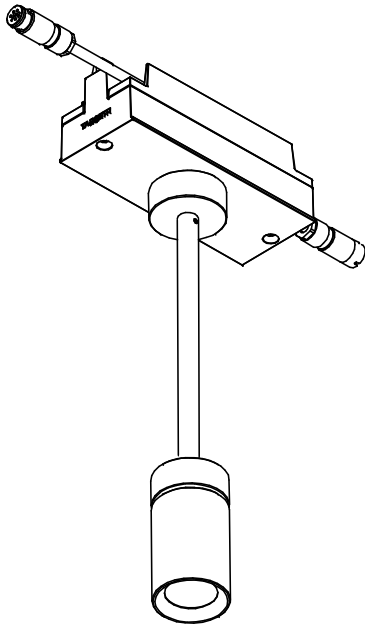




IVY SUSPENDED IVYSU-(PW), (DB), (FE)

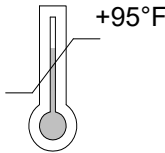
IVY SUSPENDED



24V-DC



-13°F



WARNING

To ensure a maximum efficiency of the product, read the instructions before proceeding to installation



This fixture must be installed by a licensed and qualified electrician. The installer must comply with NEC and local building codes when installing the fixture



Electrical current can cause painful shock, serious injury, or even death. Make sure you turn off the power supply, ground fixture(s), and make sure all electrical connections are correct and secured tightly



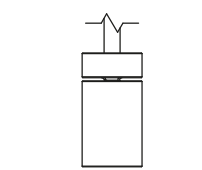
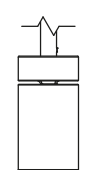
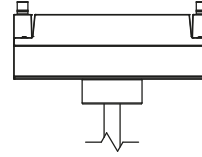
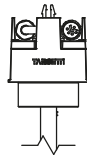
Keep the label of the original packaging if any eventual future claims are needed

If in doubt about the symbols please refer to catalog or website.

2.36"

IVY SUSPENDED

5.83"



1.77"

3.39"

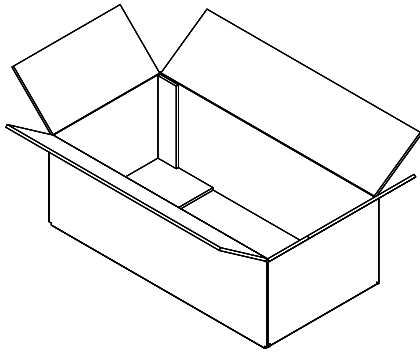
23.78"

25.67"

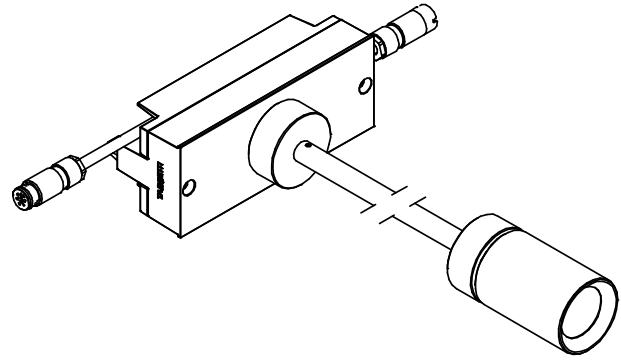
Table of Contents

Packaging Contents / Fixture Options	Pg.2
Fixture Installation Instructions	Pg.3
Wiring Diagrams	Pg.4, 5, 6
Maintenance / Support	Pg.7
	Pg.8

Packaging Contents



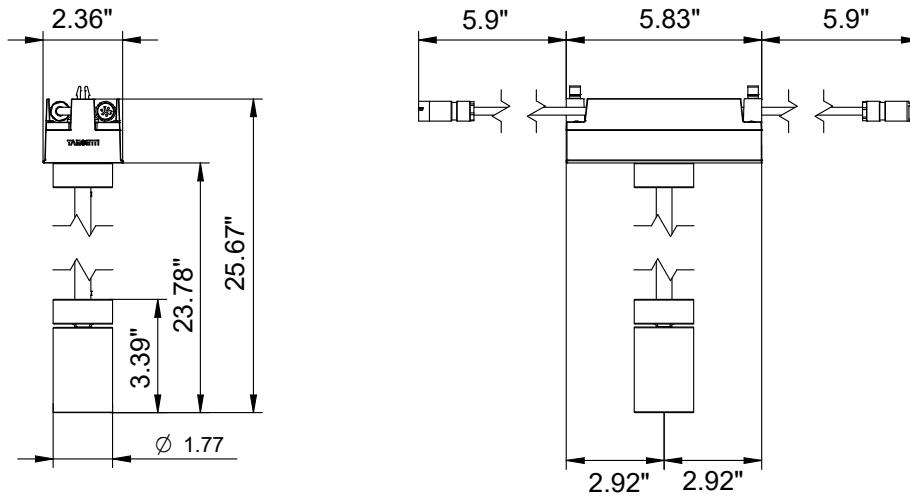
BOX 27" x 7" x 2.5" @ 1.17lbs



IVY SUSPENDED 1 ea.

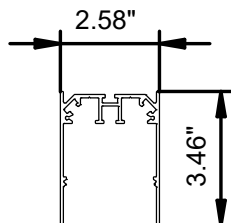
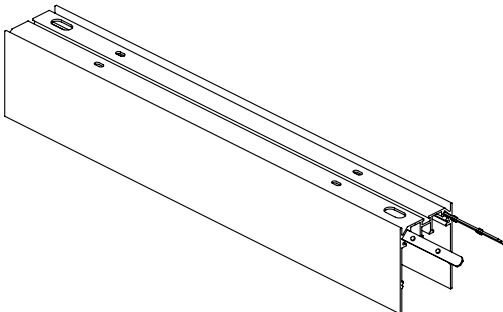
Fixture Dimensions

IVY SUSPENDED



IVY SURFACE PROFILE (SOLD SEPARATELY)

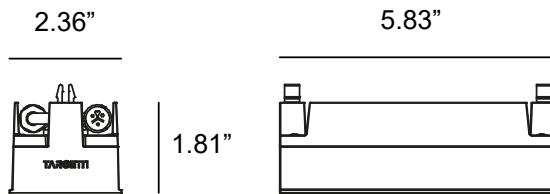
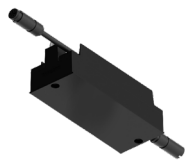
SURFACE PROFILE FOR IVY LIGHTING SYSTEM



- 19.69" Lg - 1E4288, (4151), (4155)
- 39.37" Lg - 1E4229, (4152), (4156)
- 78.74" Lg - 1E4230, (4153), (4157)

OPTIONS (REQUIRED)

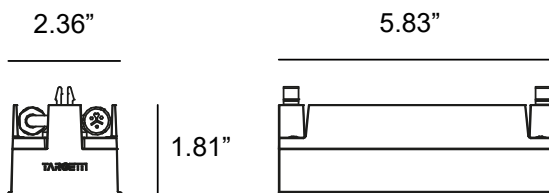
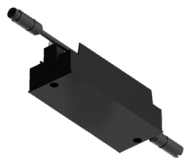
POWER FEED / CONTROL BOX (REQUIRED)



IVY 0-10V power feed and dimming control box, for group fixture control.

Finish ●

Part No. **1US418010**

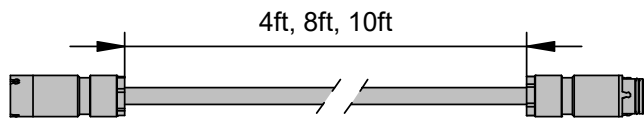


IVY wireless Bluetooth Casambi power feed and dimming control box, for individual fixture control

Finish ●

Part No. **1US4180CA**

ELECTRICAL (OPTIONAL DEPENDENT ON FIXTURE PLACEMENT)



IVY jumper connection cable.

Length 4ft 8ft 10ft

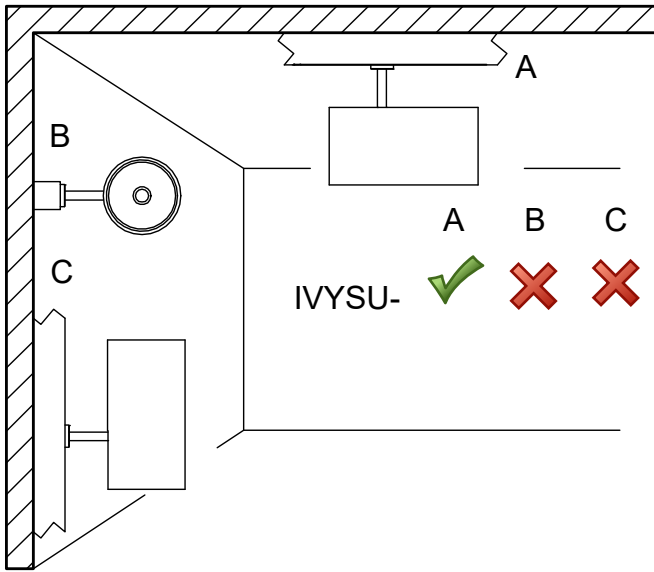
Part No. **1US4181 1US4183 1US4182**

POWER SUPPLY (REQUIRED)

ENCLOSURE								
Part No.	Wattage	Control	Dim Range	Rating	In / Out Voltage	Certification	Dimensions (Enclosure)	Description
PS057	40W	VIA INTEGRAL POWER BOX	N/A*	NEMA3R	120-277V / 24V	UL CLASS 2	6.3" x 10.79" x 2.17"	MEAN WELL HLG ELECTRONIC DRIVER.
PS058	60W	VIA INTEGRAL POWER BOX	N/A*	NEMA3R	120-277V / 24V	UL CLASS 2	6.3" x 10.79" x 2.17"	MEAN WELL HLG ELECTRONIC DRIVER.
PS059	96W	VIA INTEGRAL POWER BOX	N/A*	NEMA3R	120-277V / 24V	UL CLASS 2	6.3" x 10.79" x 2.17"	MEAN WELL HLG ELECTRONIC DRIVER.

*Dimming of fixture is through Casambi Bluetooth and not from direct connection to Driver.

: |l h fY ðbghU`Uhjb ðbgfi Wjcbg



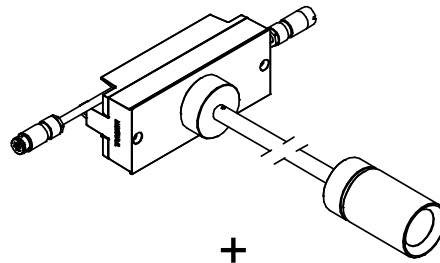
Mounting Positions:

A: Ceiling Mount ✓

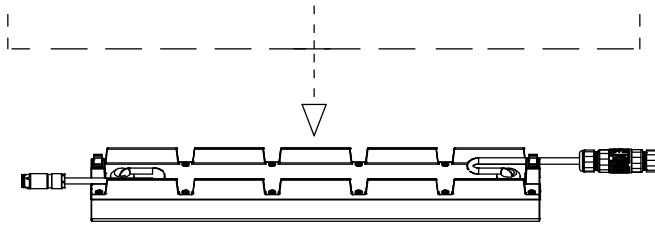
B: Wall Mount with Horizontal Lighting ✗

C: Wall Mount with Vertical Lighting ✗

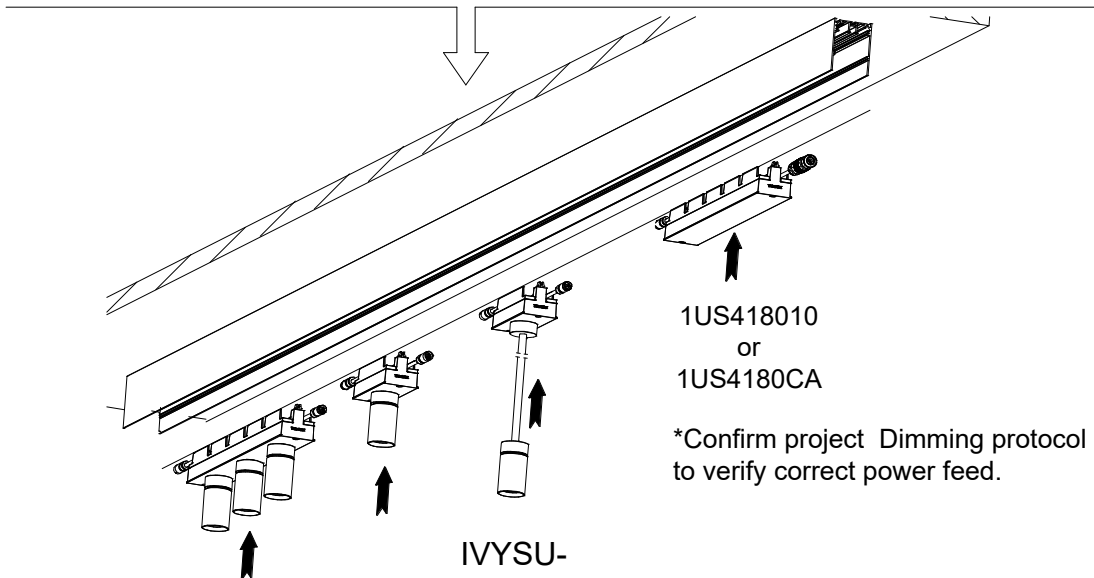
A B C
IVYSU- ✓ ✗ ✗



+



BOX DRIVER

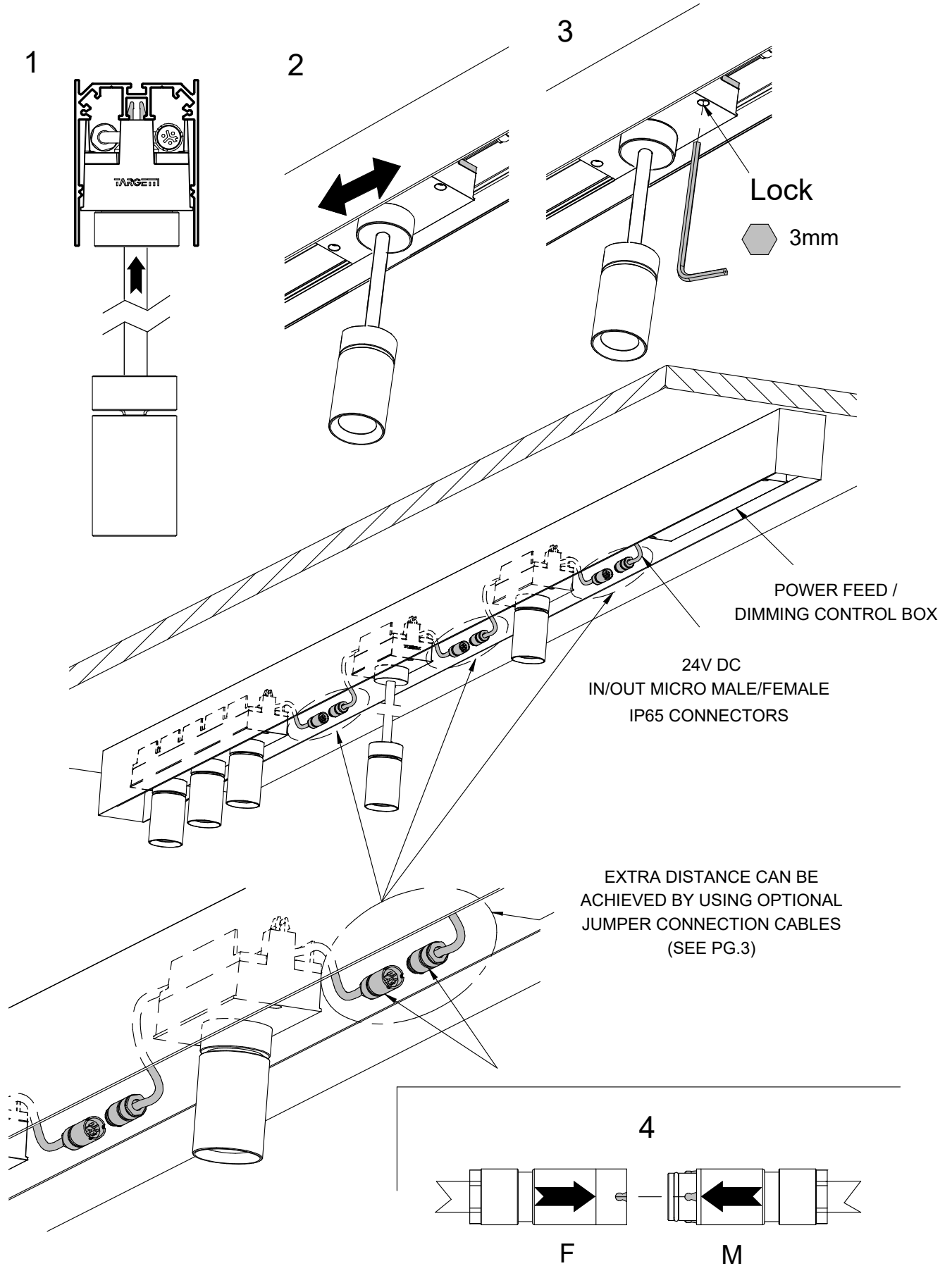


1US418010
or
1US4180CA

*Confirm project Dimming protocol to verify correct power feed.

IVYSU-

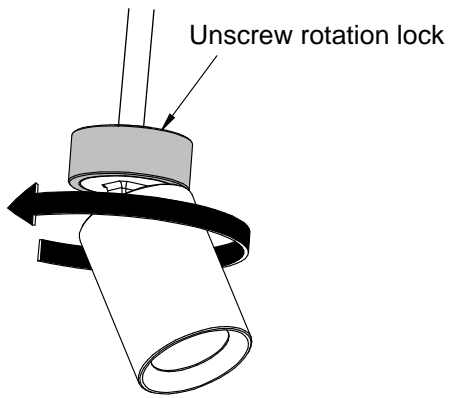
Fixture Installation Instructions Cont.



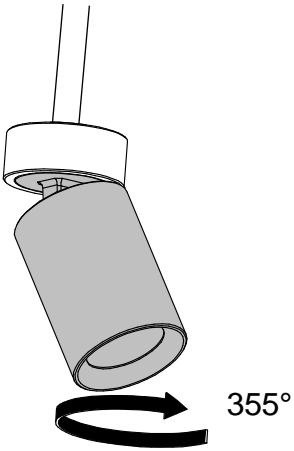
Fixture Installation Instructions Cont.

ADJUSTMENT

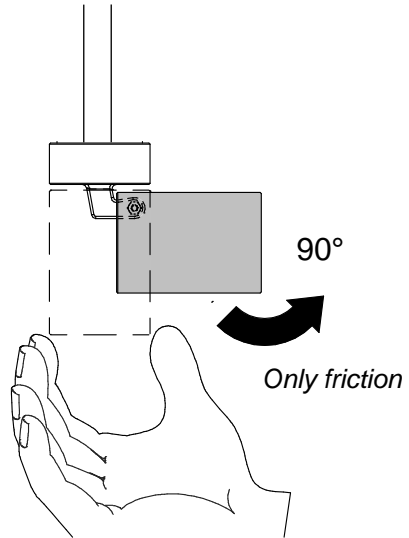
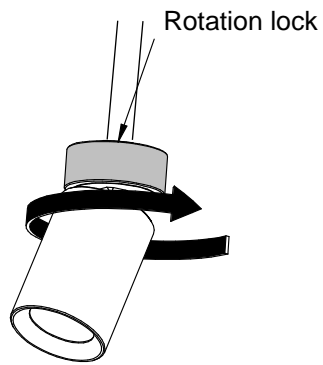
1



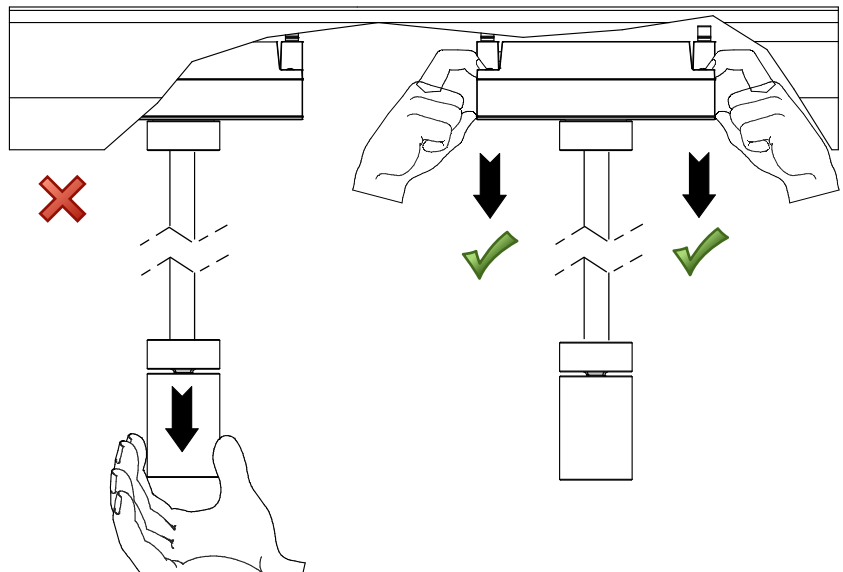
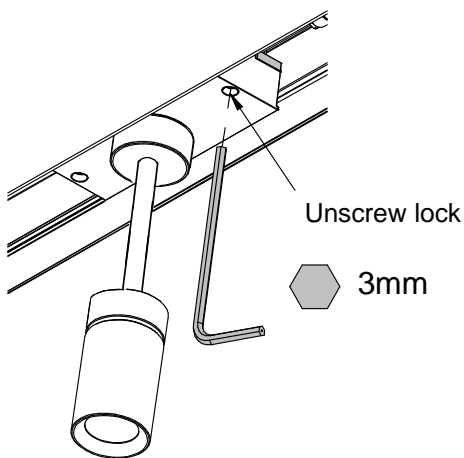
2



3

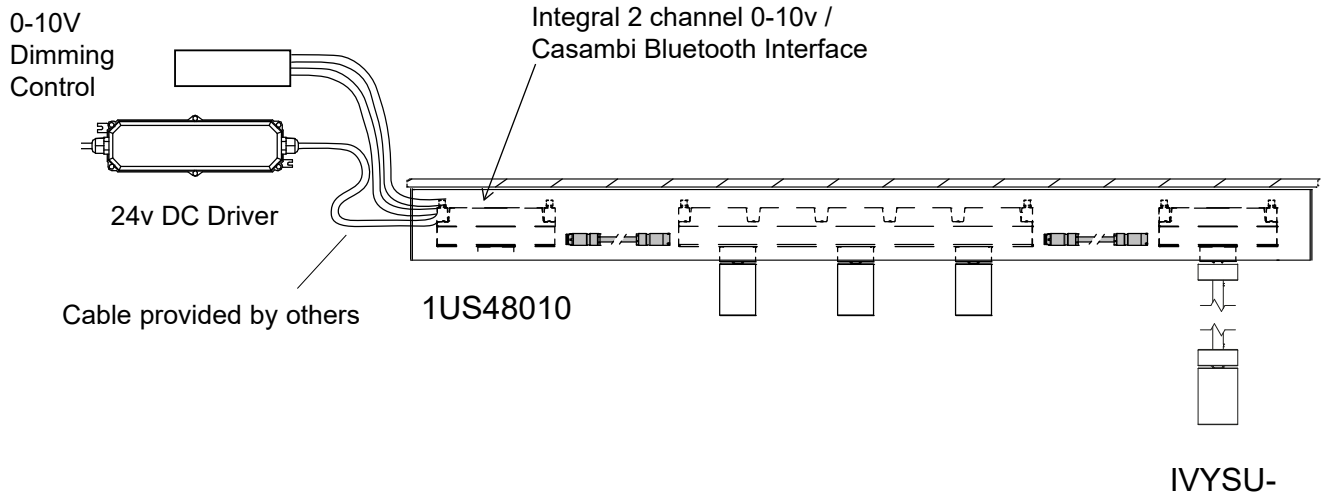


REMOVAL



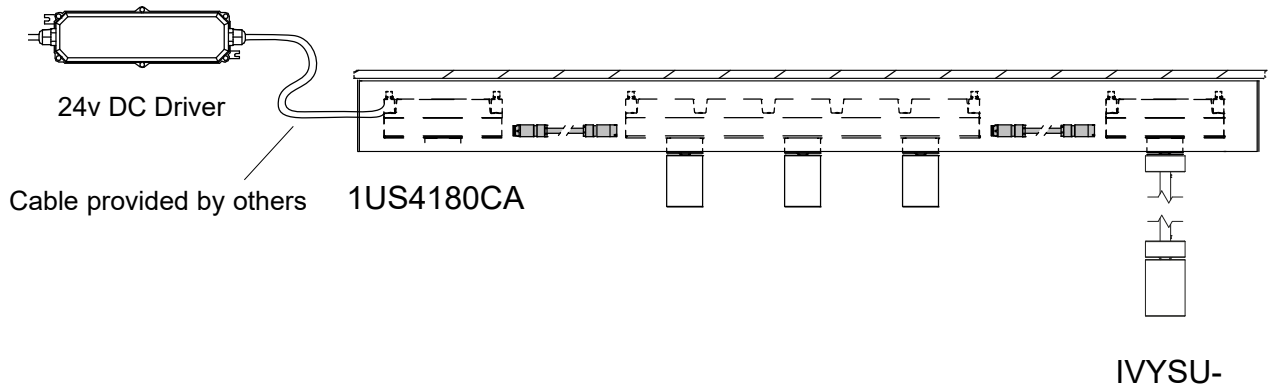
Wiring Diagram

0-10v Dimming Control



*All Ivy System Fixture are Casambi Bluetooth Enable

Casambi Dimming Control



*All Ivy System Fixture are Casambi Bluetooth Enable

Maintenance

This fixture was designed and manufactured for a durable, long lasting use with minimum care. To ensure the maximum lifespan of this product, we encourage our customers to provide a quality visual inspection of the fixture and installation accessories every six months.

If there are any visible signs of issues (i.e moisture or dust) during the inspection, please clean any of the dust or moisture with a soft cloth and check to make sure that any of the fixtures are still operating normally. If there are any issues regarding the fixture, please contact us as we will assist the situation at hand.

Support

Any questions, problems, or comments you have please feel free to contact our Customer Service department during our business hours Monday-Friday 8am-5pm via: Email: usaorders@targetti.com
Phone: (714) 513-1991

Visit our website: <http://www.targettiusa.com>