

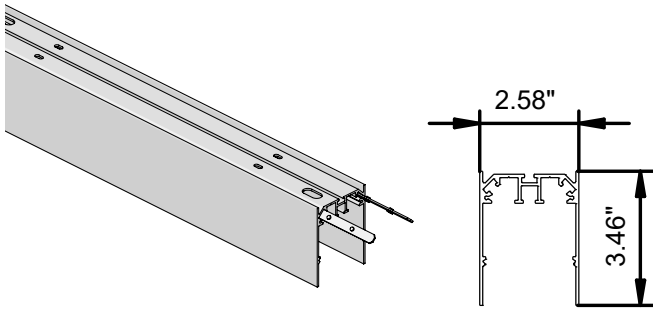


## IVY SURFACE PROFILE

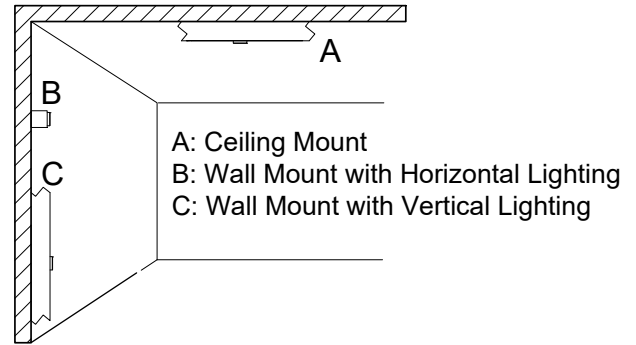
1E4288, (4151), (4155)  
 1E4229, (4152), (4156)  
 1E4230, (4153), (4157)

19.69" SURFACE PROFILE FOR IVY LIGHTING SYSTEM  
 39.37" SURFACE PROFILE FOR IVY LIGHTING SYSTEM  
 78.74" SURFACE PROFILE FOR IVY LIGHTING SYSTEM

### 1 - DIMENSIONS


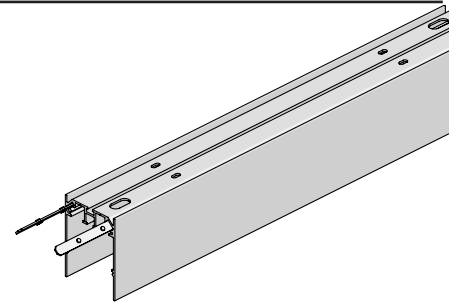


### 2 - USE

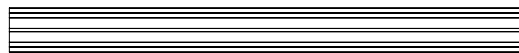


### 3 - TRACK OPTIONS

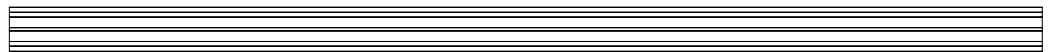
Plaster White ○ 1E4228 19.69" L / 2.05 lbs  
 Deep Black ● 1E4151  
 Ferrite Dark Grey ● 1E4155

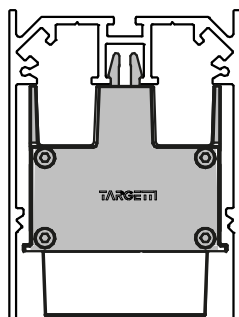
Plaster White ○ 1E4229 39.37" L / 4.10 lbs  
 Deep Black ● 1E4152  
 Ferrite Dark Grey ● 1E4156



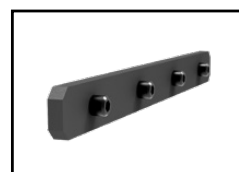
Plaster White ○ 1E4230 78.74" L / 8.20 lbs  
 Deep Black ● 1E4153  
 Ferrite Dark Grey ● 1E4157



### 4 - TRACK / FIXTURE USE



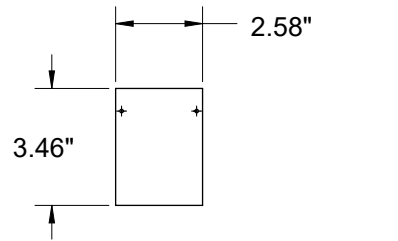
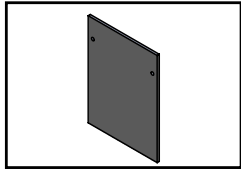
#### Linear Joint



Each profile section includes 2 ea. Linear Joint connector for interconnection.

**5 - OPTIONS (REQUIRED)**

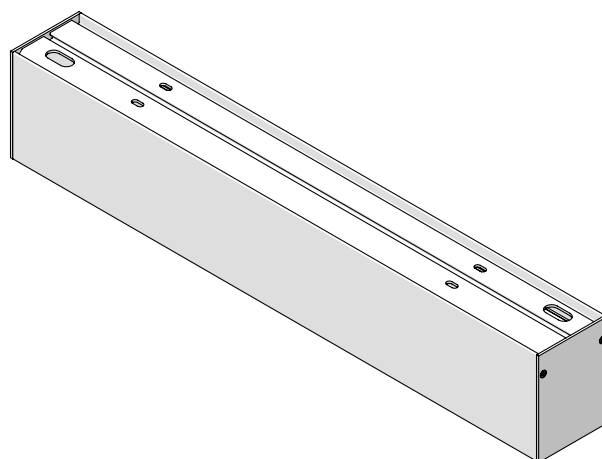
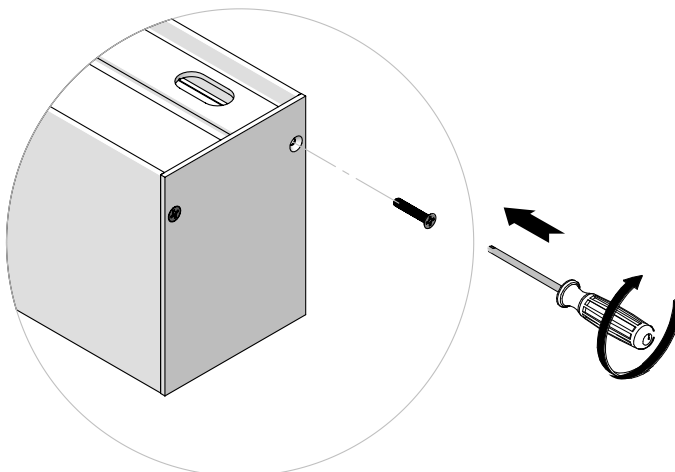
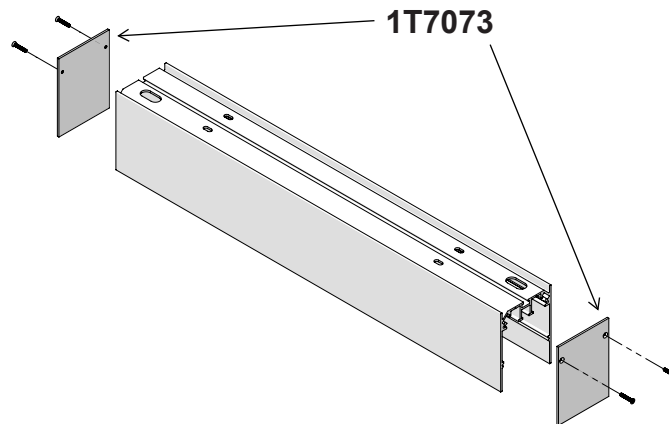
**END CAP (REQUIRED)**



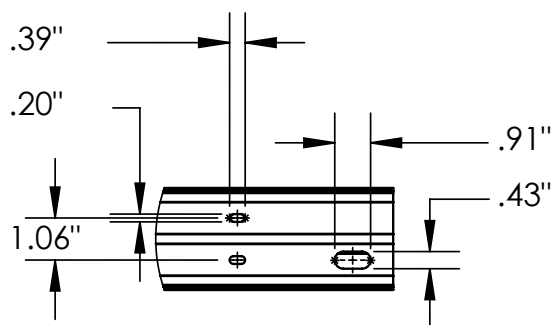
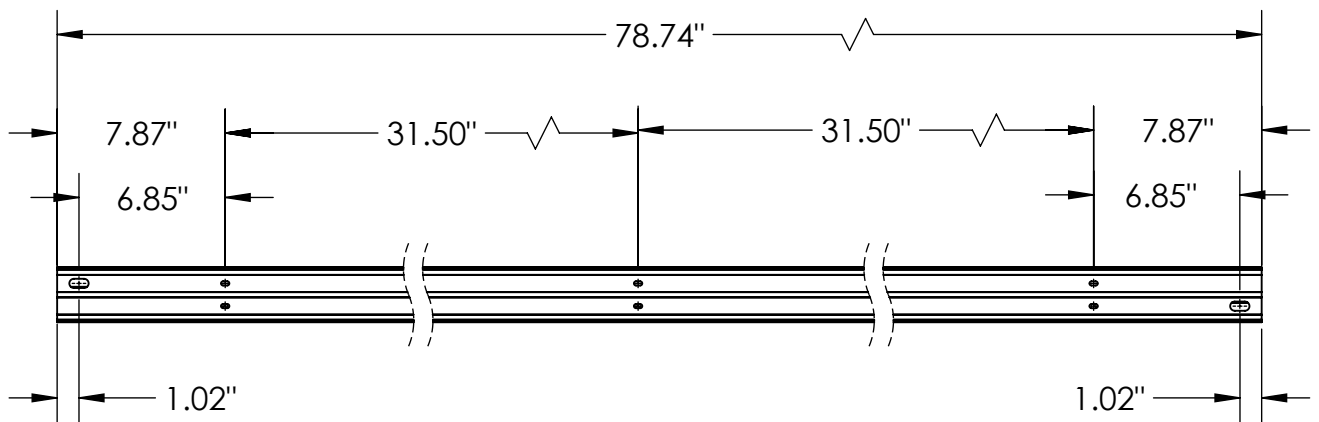
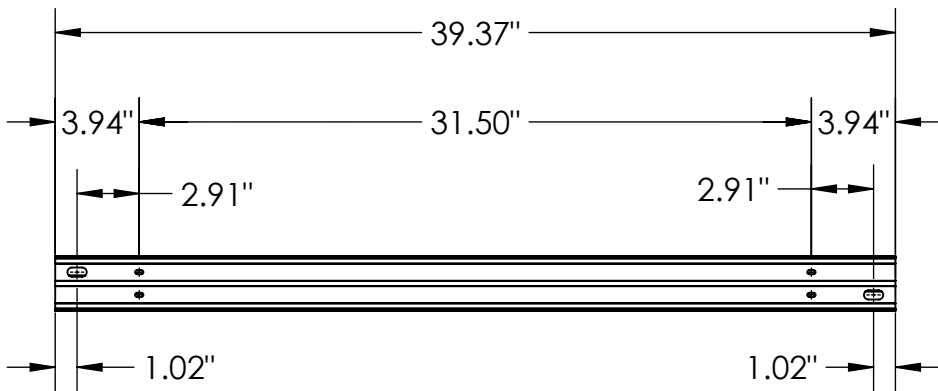
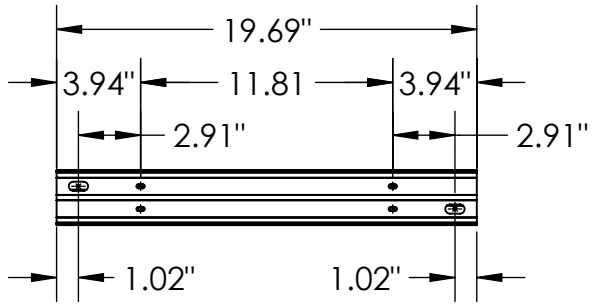
IVY Recessed Profile End Cap kit (2pcs).

Finish ●

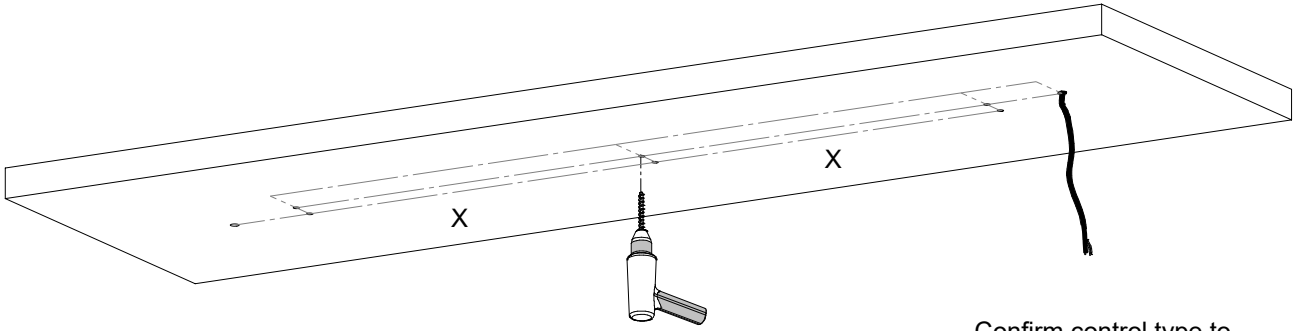
Part No. **1T7073**



## 6 - DIMENSION TRACK



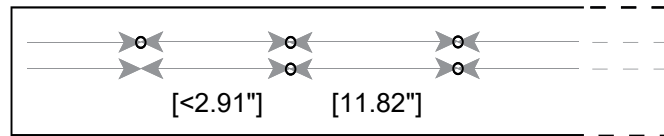
## 7 - CEILING FIXING



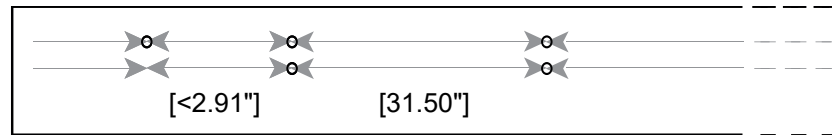
Confirm control type to identify cables required.

Drill size depend on field requirements ( screws not supplied)

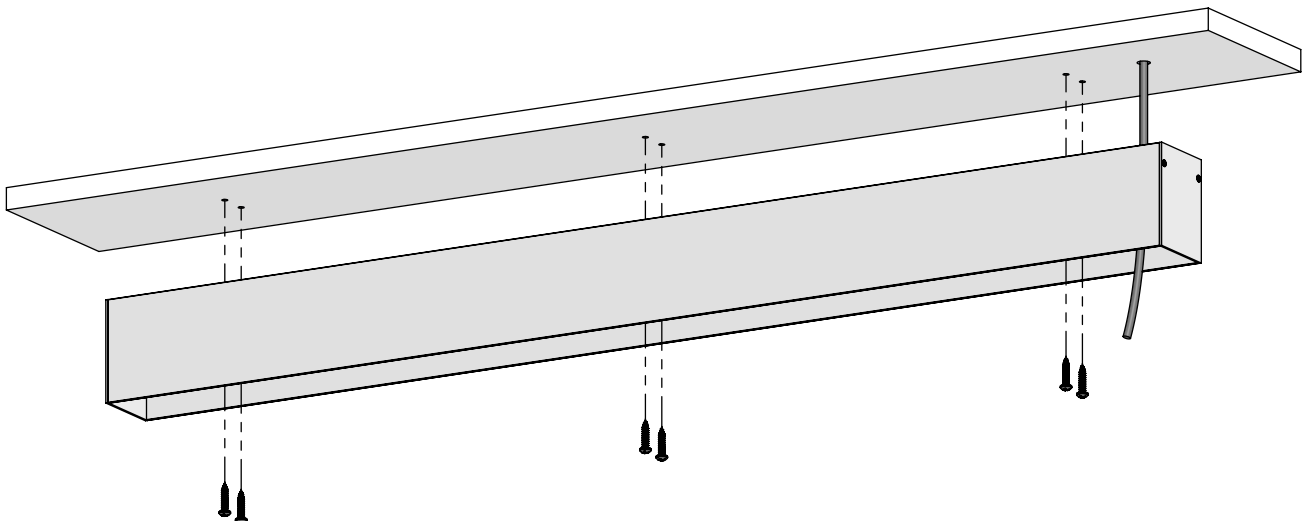
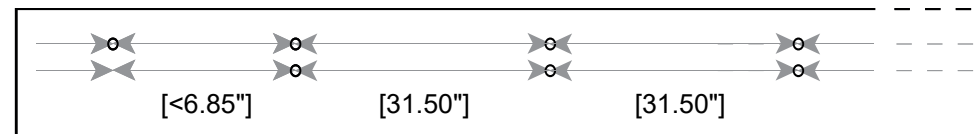
**SURFACE PROFILE 19.69" Lg**



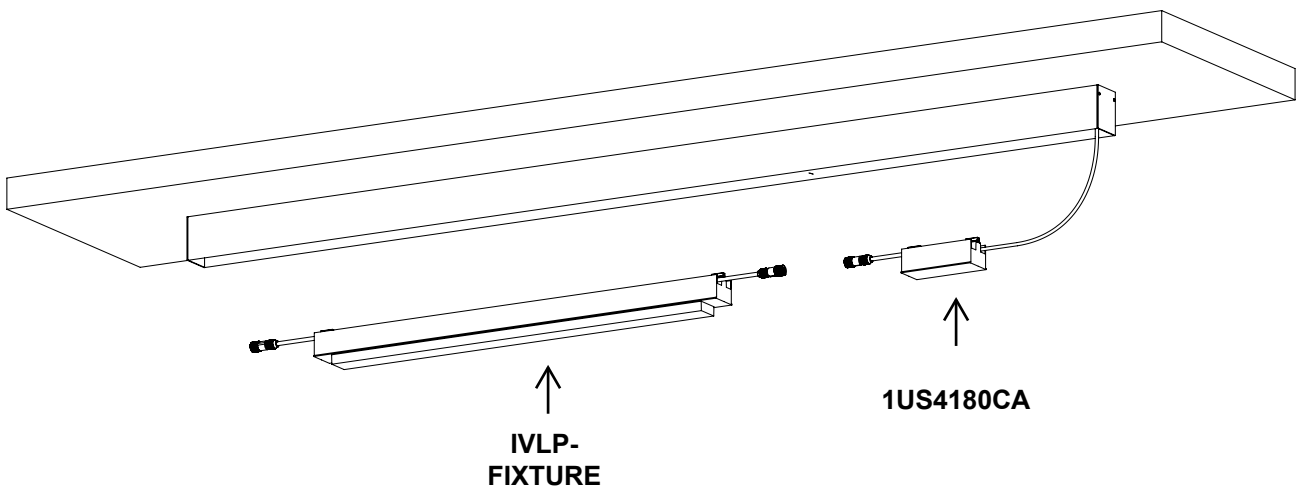
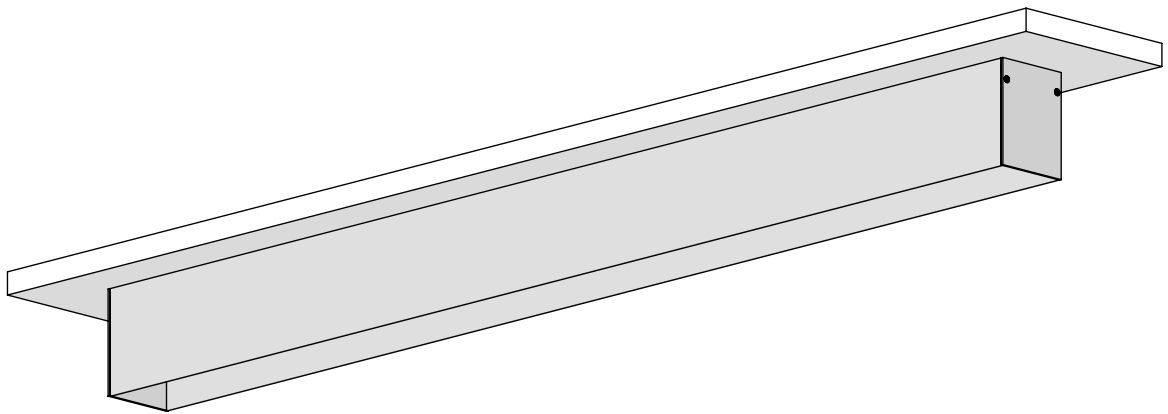
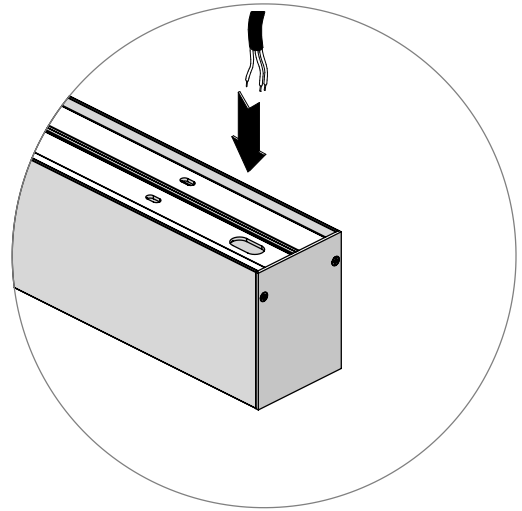
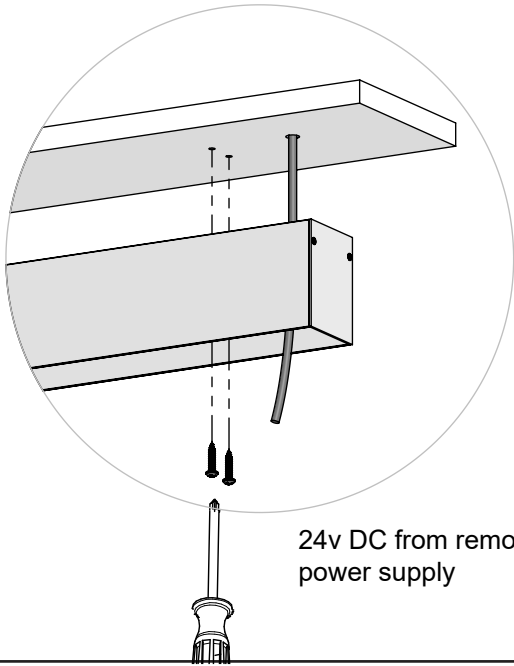
**SURFACE PROFILE 39.37" Lg**



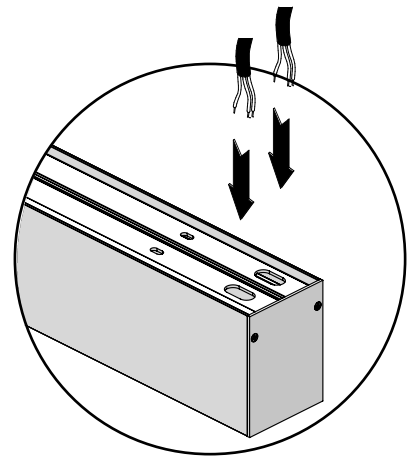
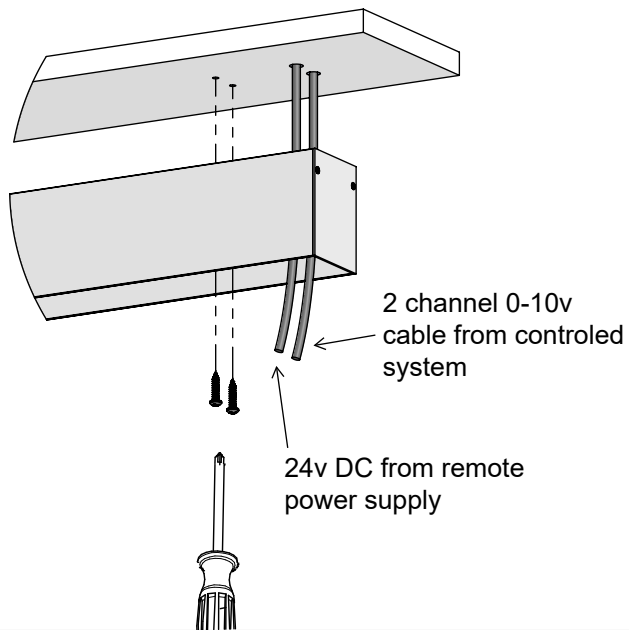
**SURFACE PROFILE 78.74" Lg**



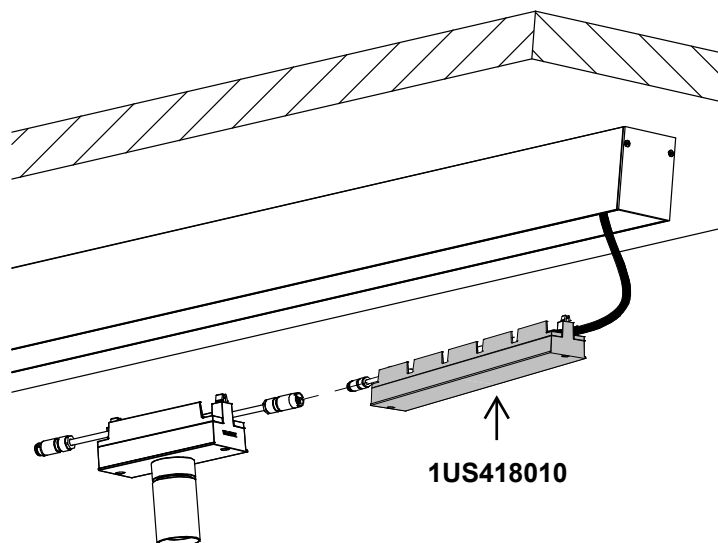
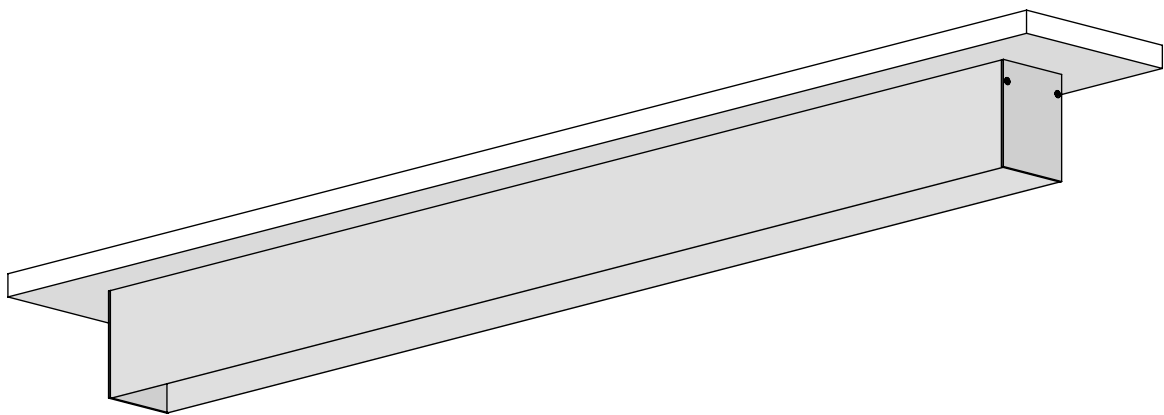
**8 - CASAMBI BLUETOOTH CONTROLLED**



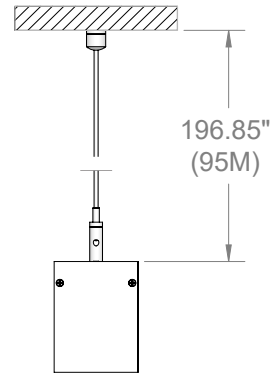
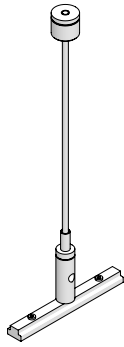
**9 - 0-10V DIMMING CONTROL**



A second cable hole needs to be added for 0-10v dimming.



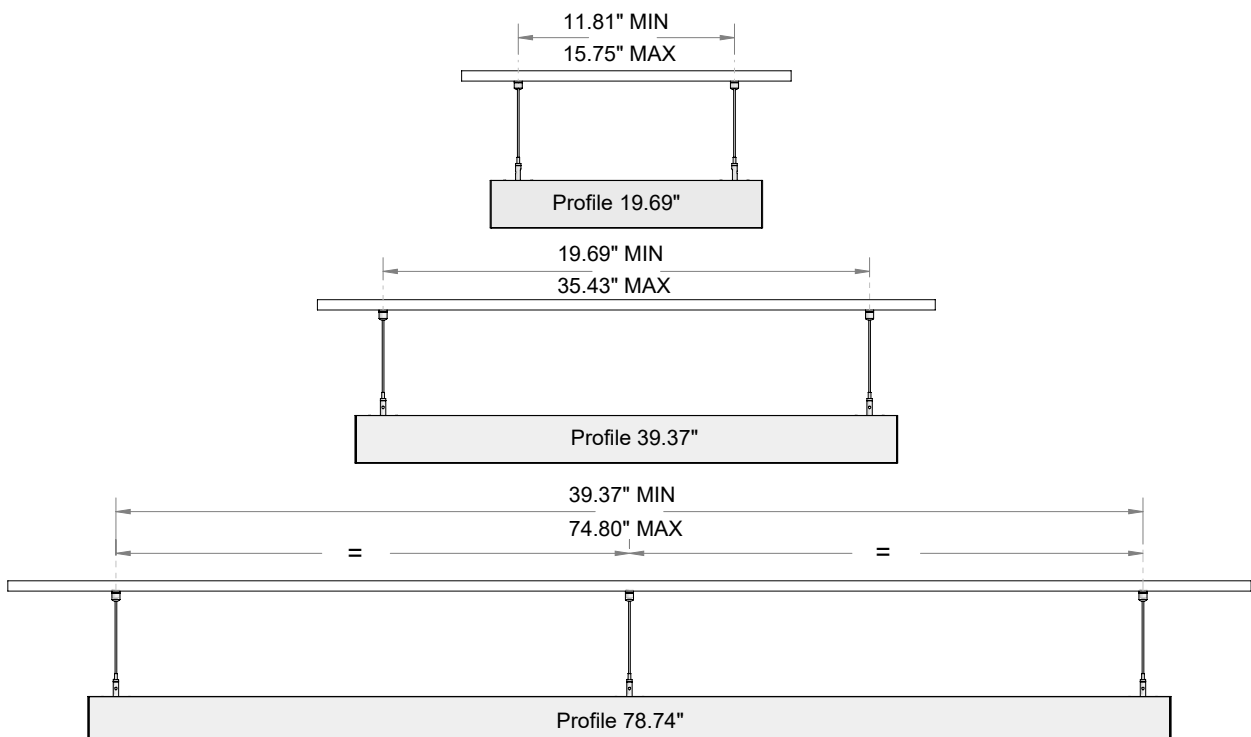
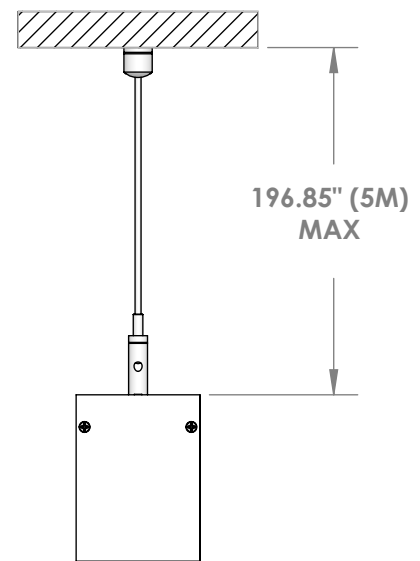
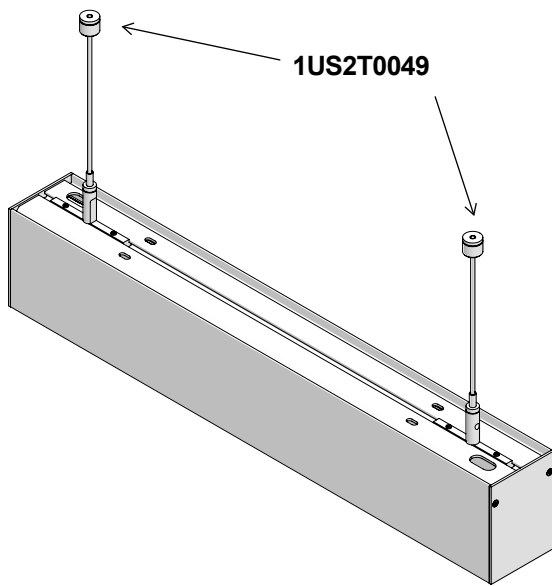
**10 - SUSPENSION CABLE (OPTIONAL)**



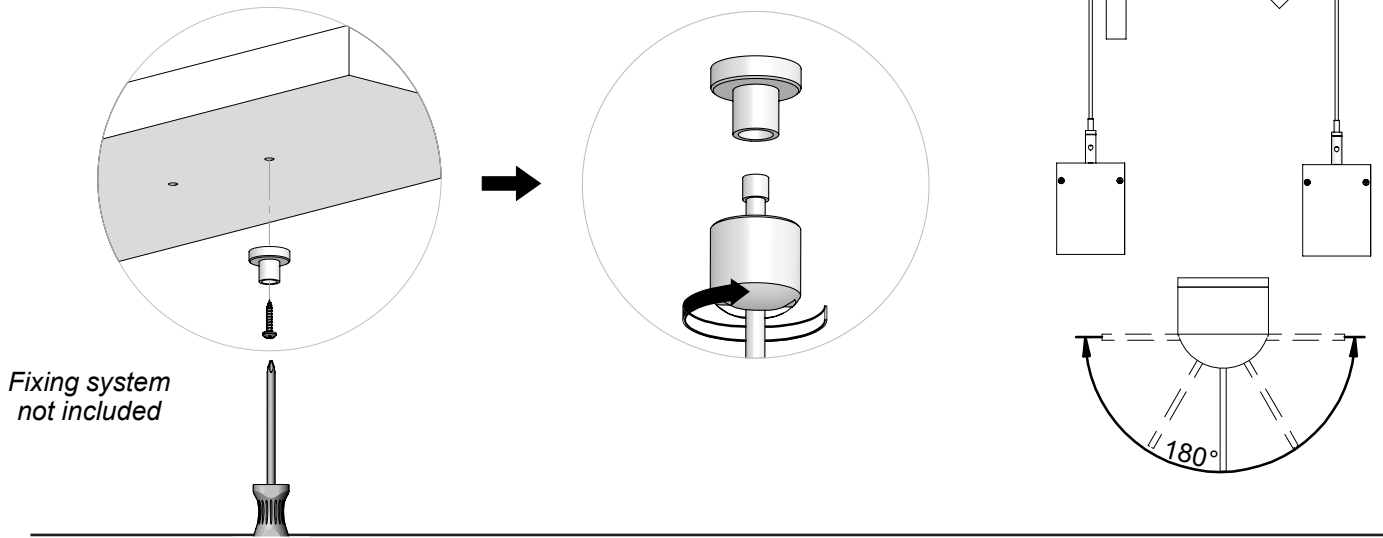
**IVY suspension cable kit**, 1ea. **REQUIRED** 2ea kits per 19"L and 39"L profiles, 3ea kits for 78"L profile.

Part No. **1US2T0049**

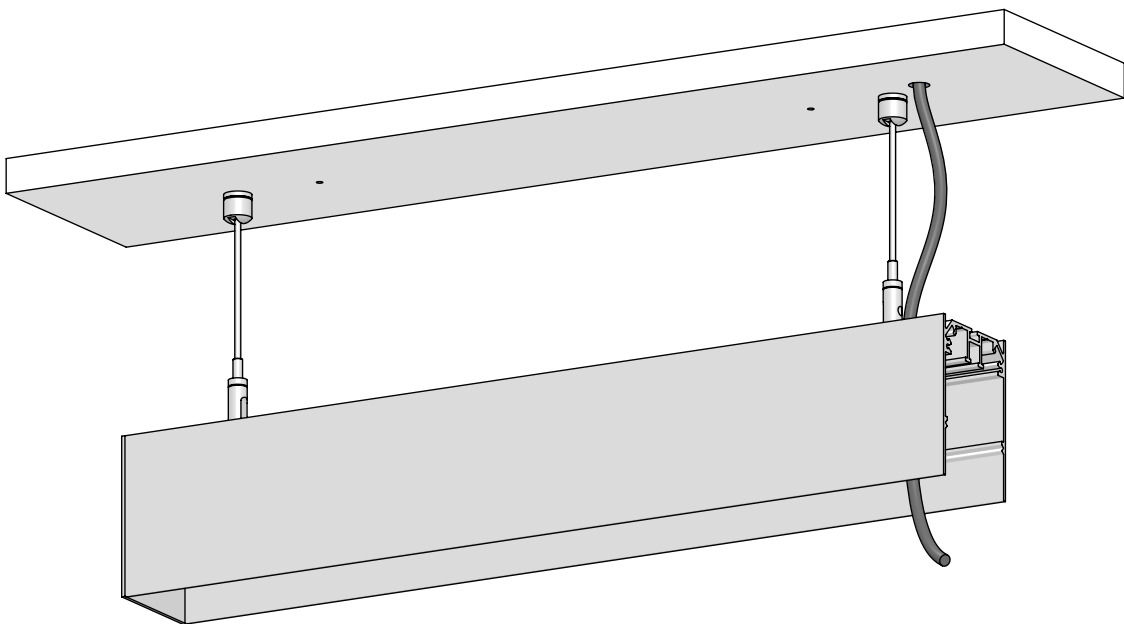
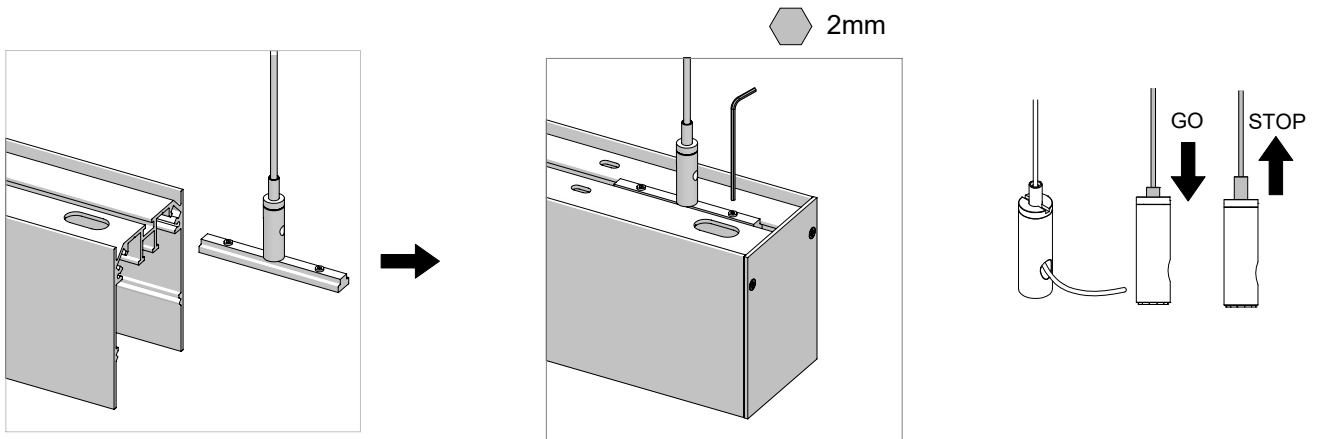
**ONLY FOR INDOOR**



A

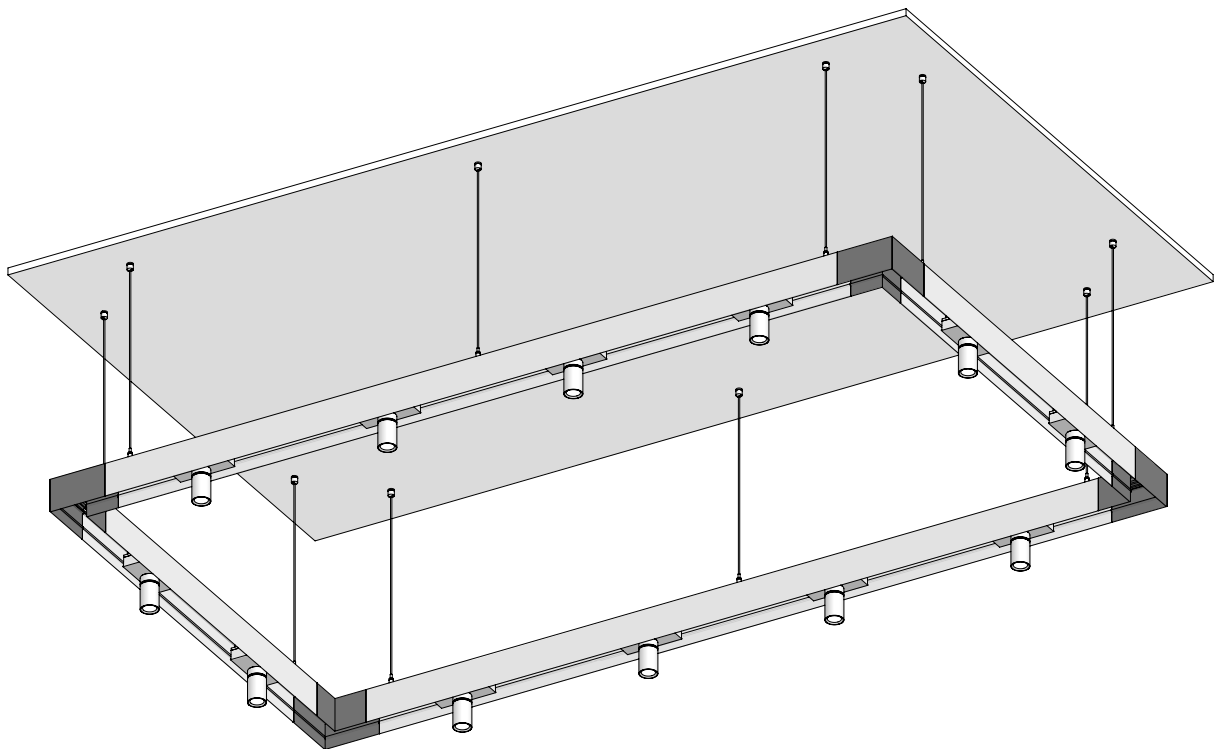
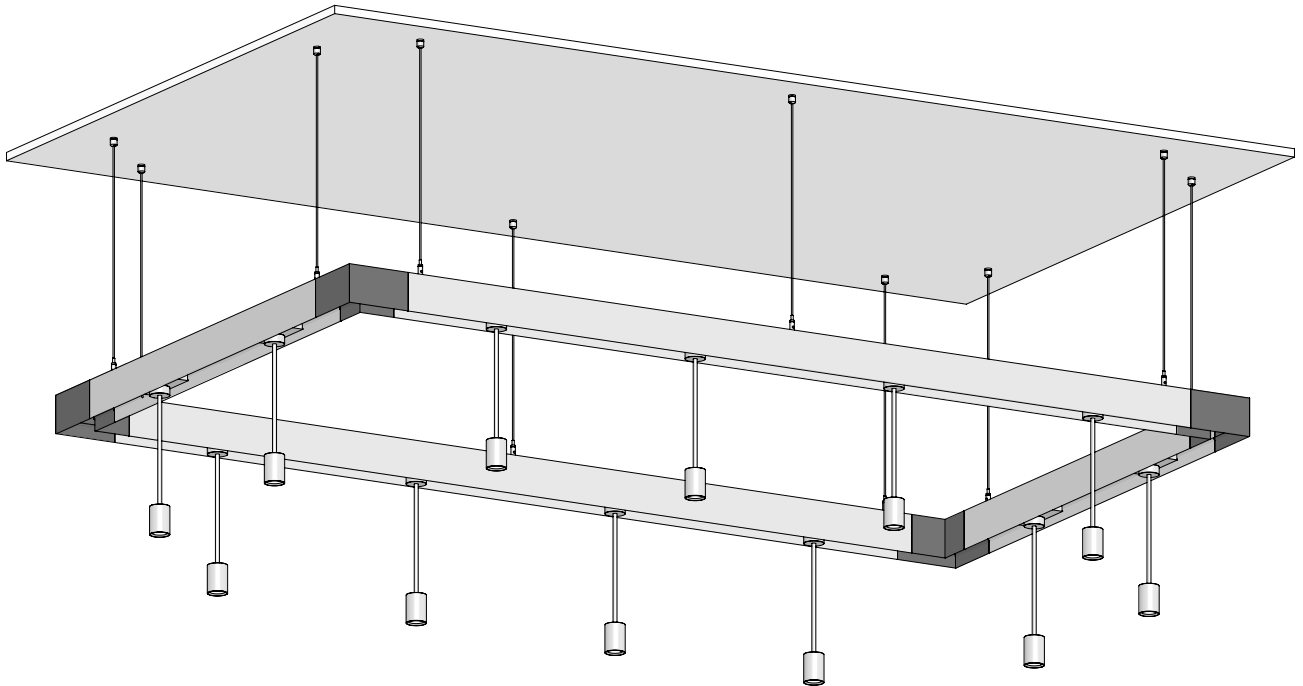


B

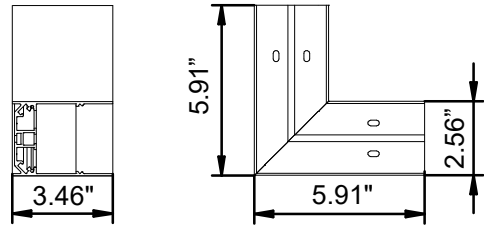
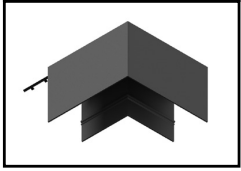




11- SUSPENSION CABLE (ASSEMBLY EXAMPLE )

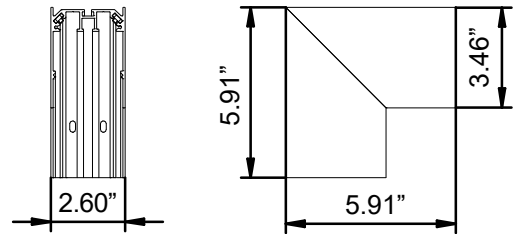
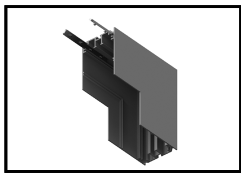


## 12 - JOINT CONNECTOR (OPTIONAL)



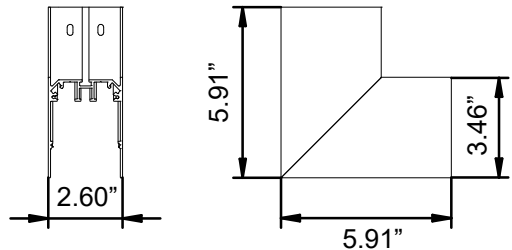
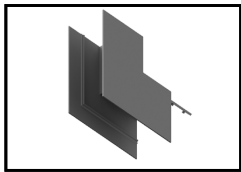
IVY surface profile L-joint connector.

<i>Finish</i>	<input type="radio"/>	<input checked="" type="radio"/>	<input checked="" type="radio"/>
<i>Part No.</i>	<b>1E4236</b>	<b>1E4172</b>	<b>1E4176</b>



IVY surface profile L-concave joint connector.

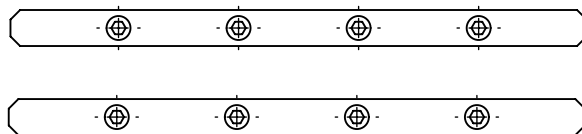
<i>Finish</i>	<input type="radio"/>	<input checked="" type="radio"/>	<input checked="" type="radio"/>
<i>Part No.</i>	<b>1E4237</b>	<b>1E4173</b>	<b>1E4177</b>



IVY surface profile L-convex joint connector.

<i>Finish</i>	<input type="radio"/>	<input checked="" type="radio"/>	<input checked="" type="radio"/>
<i>Part No.</i>	<b>1E4238</b>	<b>1E4174</b>	<b>1E4178</b>

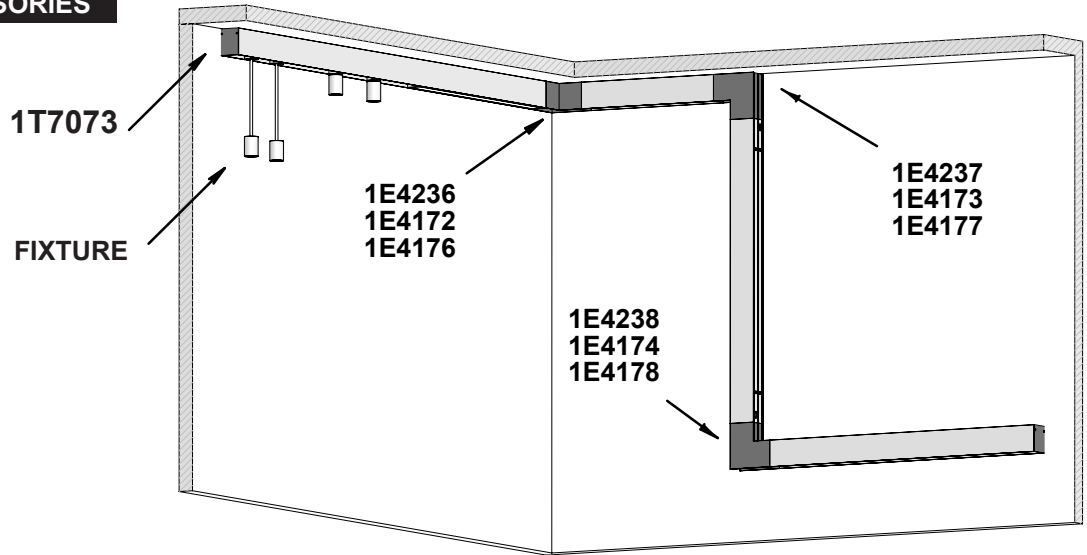
## LINEAR JOINT (ALREADY INTEGRATED)



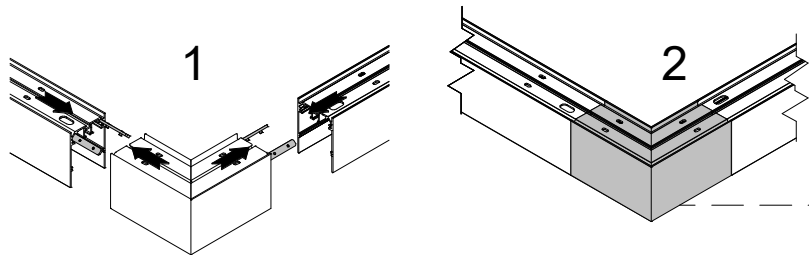
Each Conner Connector Profile includes 2 each Linear Joint Connector for in connector.

**13 - SYSTEM ACCESSORIES**

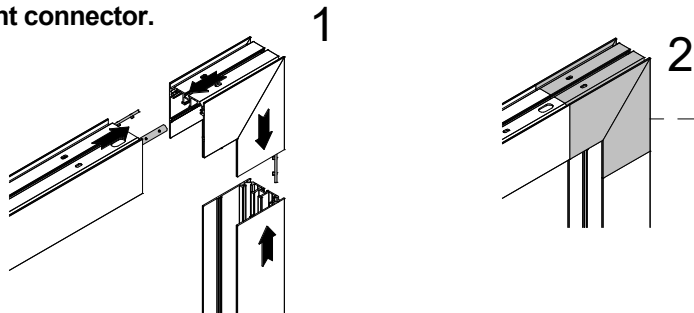
*Assembly example*



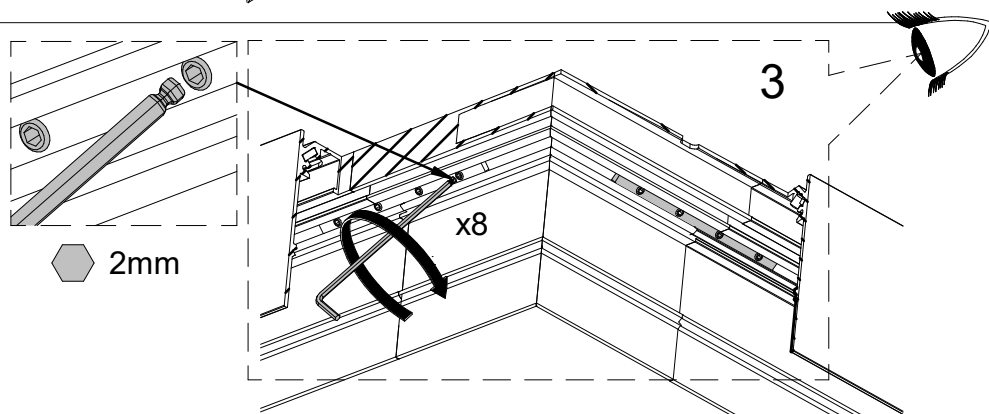
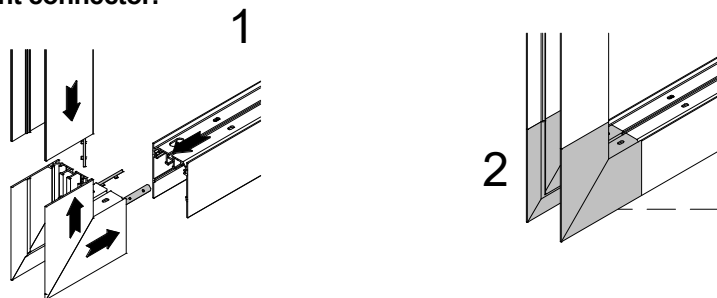
**IVY surface profile L-joint connector.**



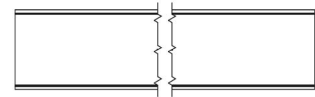
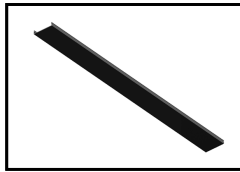
**IVY surface profile L-concave joint connector.**



**IVY surface profile L-convex joint connector.**



## 14 - DECORATIVE COVER (OPTIONAL)



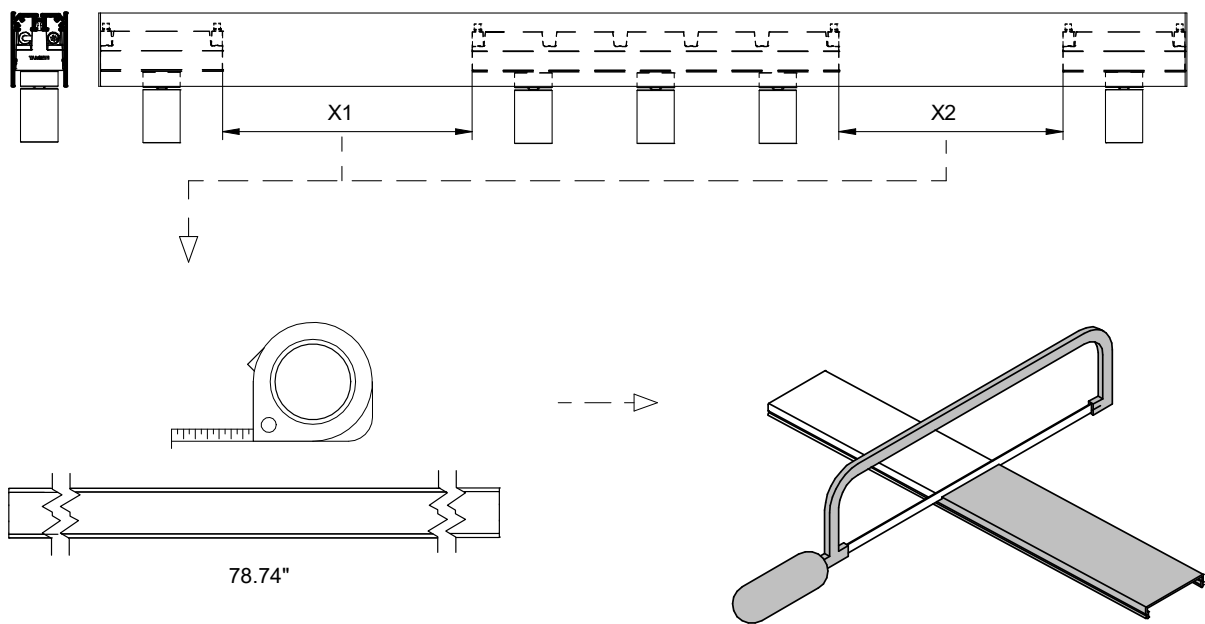
78.74"

IVY profile decorative cover, field cuttable.

Finish ●

Part No. 1E42170

### COVER ACCESSORY



IVY profile decorative cover can be field cut to required length (X1, X2) with use of a hand saw and appropriate saw blade for cutting.

