

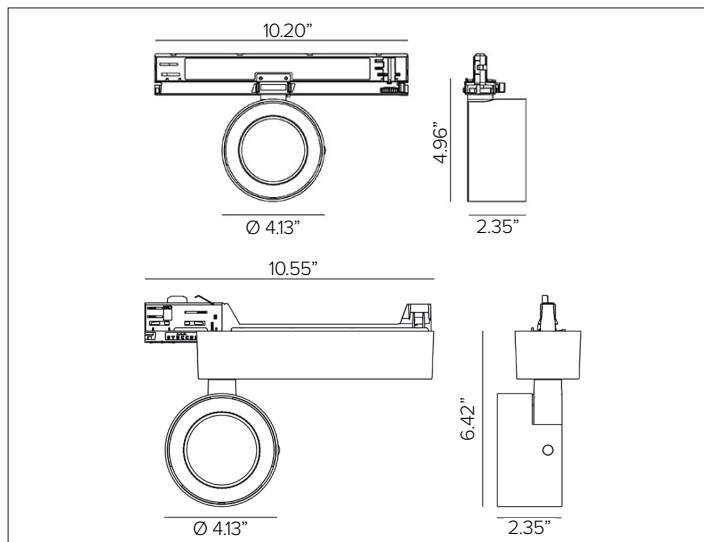
ZENO SMALL

Professional Track Projector



Side / Adjustable

Back



Left to right: ZENO SMALL 4/1 driver version shown in Deep Black finish; ZENO SMALL Casambi driver version shown in Plaster White finish.



CONCEPT

Professional LED track projector.

MECHANICAL CHARACTERISTICS

Dimensions	4.13" Dia.
Materials	Die cast aluminum finished body.
Finish	● Plaster White ● Deep Black
Functionality	Fixture can be vertically adjusted from 0° to -90° and horizontally up to 350° with secure aim locking system.
Mounting	EUROSTANDARD PLUS Track , sold separately. The fixture can be vertically adjusted from 0° to 90° and horizontally up to 360° with secure locking.
Weight	1.34lbs
Protection	IP20

CERTIFICATIONS

cULus Listed.
 Tested in accordance with LM-79-08.
 Compliant with California energy regulations.
 RoHS3 EU 215/863

WARRANTY

5 year limited warranty.

SUSTAINABILITY

Luminaire designed for disposal/recycling at end-of-life. Replaceable LED light source and control gear by a Targetti technician.

ELECTRICAL CHARACTERISTICS

Power Supply	Integrated 0-10V dimmable or integrated electronic power supply for wireless bluetooth Casambi control.
Wattage	NSP: 1W / SP, FL, MFL, WFL: 14W
Voltage	120V AC 50/60Hz
Control	Wireless bluetooth control through Casambi app interface for individual fixture control. Refer to Targetti LMS (Light Management System) for detailed information.

SOURCE

High efficiency LED Chip on Board.

TM30	CCT (Nominal)	CRI	Rf	Rg	SDCM
	2700K	97	94	103	2
	3000K	97	95	93	2
	3500K	97	93	99	2
	4000K	97	92	102	2

OPTIC

Optical system is dependent on beam angle. NSP version is an indirect optic composed of an LED module directed towards a reflector with heat-pipe dissipation and highly reflective anodized aluminum parabolic reflector with transparent PMMA refractive screen. SP and FL versions composed of a hybrid optic with an anodized mirrored aluminum reflector, optical glass lens and black anodized aluminum holder with PMMA holographic filter. MFL and WFL versions composed of convex facets in highly reflective anodized aluminum and a PMMA holographic filter.

Beam	NSP 7°	SP 16°	FL 28°	MWFL 48°	WFL 58°
Delivered Lumens	3000K 574Lm	726Lm	1113Lm	1218Lm	1228Lm
	4000K 646Lm	752Lm	1152Lm	1176Lm	1185Lm
<i>For 2700K lumen values use multiplier of 0.96 from 3000K For 3500K lumen values use multiplier of 1.02 from 3000K.</i>					
Efficacy	91Lm/W max. Refer to photometric graphs for specific values.				
Lifetime	L92/B10 >30,000hrs at max TA +25°C L90/B10 >50,000hrs at max TA +25°C				
Photobiological Classification	Low risk photobiological safety RG1				

ZENO SMALL

SPECIFICATION INFORMATION



1 - PRODUCT CODE	2 - DRIVER	3 - FINISH	4 - OPTICS	5 - WATTAGE	5 - KELVIN	6 - RAIL & DRIVER
ZOS — ZENO Small	10 — 0-10V	PW — Plaster White	NS — NSP 7°	L1 — 11W	27 — 2700K	REQUIRED See EUROSTANDARD PLUS TRACK spec sheet for specification information.
	CA — CASAMBI	DB — Deep Black	SP — SP 16°	L2 — 14W	30 — 3000K	
			FL — FL 28°		35 — 3500K	
			MF — MWF 48°		40 — 4000K	
			WF — WFL 58°			

- 7 - OPTICAL ACCESSORIES**
- [Accessory Holder Ring](#)
See section for details
 - [Blade Light Linear Spread Lens](#)
See section for details
 - [Anti-glare Louver](#)
See section for details
 - [Adjustable Barn Doors](#)
See section for details
 - [Asymmetric Snoot](#)
See section for details
 - [Cut-off](#)
See section for details

OPTIC VERSIONS

NSP OPTIC ONLY



SP / FL / MFL / WFL OPTICS ONLY



ZENO SMALL

7 – OPTICAL ACCESSORIES (OPTIONAL)

MAXIMUM OF ONE ACCESSORY PER FIXTURE.



Aluminum accessory holder ring. **Required with the use of all optical accessories.**

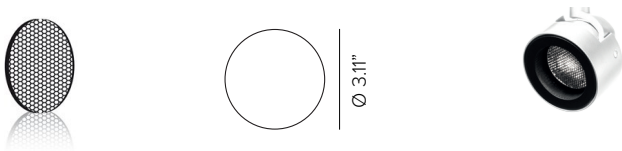
Finish ● Deep Black

Part No. **1T6571**



Blade of Light® linear spread lens. PMMA holographic filter for a blade of light effect. **To be completed with accessory holder ring.**

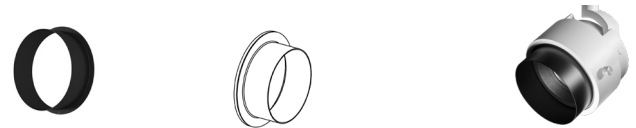
Part No. **1T6572**



Anti-glare louver. Lacquered metal honeycomb structure. **To be completed with accessory holder ring.**

Finish ● Deep Black

Part No. **1T6573**



Cut-off made of steel painted black. **To be completed with accessory holder ring.**

Finish ● Deep Black

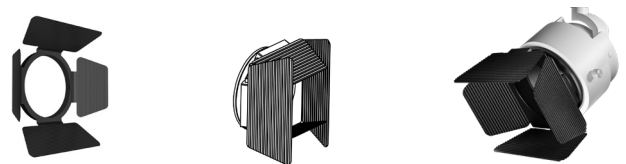
Part No. **1T6574**



Asymmetric cut-off, painted steel. **To be completed with accessory holder ring.**

Finish ● Deep Black

Part No. **1T6575**



Adjustable barn door, painted steel. **To be completed with accessory holder ring.**

Finish ● Deep Black

Part No. **1T6576**

ZENO SMALL

PHOTOMETRY

NARROW SPOT

	3000K	H(m)	D(m)	Emax(lx)		
	Ra97			7°		
	Fixture Power	11W	1	0.13	20546	
	Source Flux	825lm	2	0.25	5137	
	Fixture Flux	574lm	3	0.38	2283	
	Efficacy	52lm/W	4	0.51	1284	
TS1409	Imax=24905cd/klm	Imax	20546cd	5	0.63	822

	4000K	H(m)	D(m)	Emax(lx)		
	Ra97			7°		
	Fixture Power	11W	1	0.13	23137	
	Source Flux	929lm	2	0.25	5784	
	Fixture Flux	646lm	3	0.38	2571	
	Efficacy	59lm/W	4	0.51	1446	
TS1409	Imax=24905cd/klm	Imax	23137cd	5	0.63	925

SPOT

	3000K	H(m)	D(m)	Emax(lx)		
	Ra97			16°		
	Fixture Power	14W	1	0.28	6374	
	Source Flux	1427lm	2	0.56	1593	
	Fixture Flux	726lm	3	0.84	708	
	Efficacy	54lm/W	4	1.12	398	
TS1410	Imax=4467cd/klm	Imax	6374cd	5	1.40	255

	4000K	H(m)	D(m)	Emax(lx)		
	Ra97			16°		
	Fixture Power	14W	1	0.28	6602	
	Source Flux	1478lm	2	0.56	1650	
	Fixture Flux	752lm	3	0.84	734	
	Efficacy	56lm/W	4	1.12	413	
TS1410	Imax=4467cd/klm	Imax	6602cd	5	1.40	264

FLOOD

	3000K	H(m)	D(m)	Emax(lx)		
	Ra97			28°		
	Fixture Power	14W	1	0.49	4527	
	Source Flux	1427lm	2	0.99	1132	
	Fixture Flux	1113lm	3	1.48	503	
	Efficacy	82lm/W	4	1.98	283	
TS1411	Imax=3172cd/klm	Imax	4527cd	5	2.47	181

	4000K	H(m)	D(m)	Emax(lx)		
	Ra97			28°		
	Fixture Power	14W	1	0.49	4688	
	Source Flux	1478lm	2	0.99	1172	
	Fixture Flux	1152lm	3	1.48	521	
	Efficacy	85lm/W	4	1.98	293	
TS1411	Imax=3172cd/klm	Imax	4688cd	5	2.47	188

MEDIUM WIDE FLOOD

	3000K	H(m)	D(m)	Emax(lx)		
	Ra97			48°		
	Fixture Power	14W	1	0.90	1856	
	Source Flux	1427lm	2	1.79	464	
	Fixture Flux	1176lm	3	2.69	206	
	Efficacy	87lm/W	4	3.59	116	
TS1238	Imax=1307cd/klm	Imax	1866cd	5	4.48	74

	4000K	H(m)	D(m)	Emax(lx)		
	Ra97			48°		
	Fixture Power	14W	1	0.90	1856	
	Source Flux	1427lm	2	1.79	464	
	Fixture Flux	1176lm	3	2.69	206	
	Efficacy	87lm/W	4	3.59	116	
TS1238	Imax=1307cd/klm	Imax	1866cd	5	4.48	74

WIDE FLOOD

	3000K	H(m)	D(m)	Emax(lx)		
	Ra97			58°		
	Fixture Power	14W	1	1.11	1397	
	Source Flux	1427lm	2	2.21	349	
	Fixture Flux	1185lm	3	3.32	155	
	Efficacy	88lm/W	4	4.43	87	
TS1239	Imax=1001cd/klm	Imax	1429cd	5	5.53	56

	4000K	H(m)	D(m)	Emax(lx)		
	Ra97			58°		
	Fixture Power	14W	1	1.11	1397	
	Source Flux	1427lm	2	2.21	349	
	Fixture Flux	1185lm	3	3.32	155	
	Efficacy	88lm/W	4	4.43	87	
TS1239	Imax=1001cd/klm	Imax	1429cd	5	5.53	56