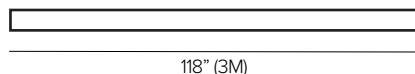
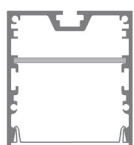
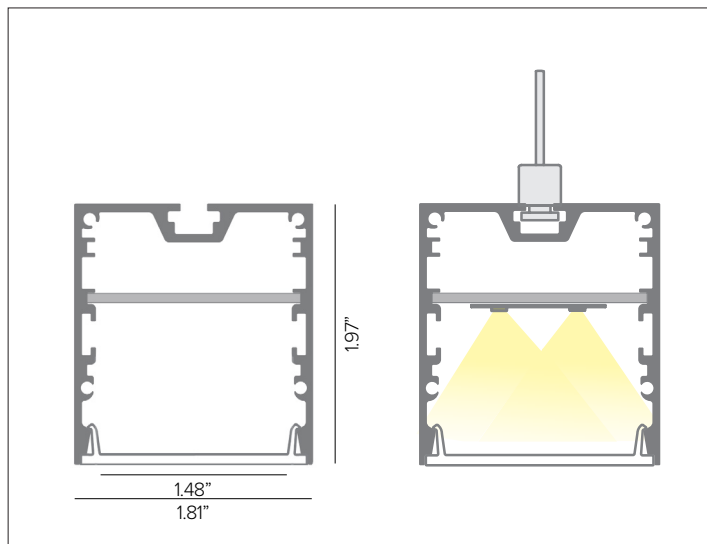


P01L PROFILE

Suspended Aluminum Profile



Shown with P01L-S-PF-300 profile and P01L-A-EC end cap.



Aluminum profile with opal polycarbonate lens for suspension installation.

Profile must be shipped via freight only. For efficient shipping via UPS/Fedex, lengths can be cut to 59" upon request.

Part No. **P01L-S-PF-300**

ACCESSORIES



Description Suspension cable kit, 3pcs. 59"L. Recommended to use 3pcs for per each 3M profile.

Part No. **P01L-A-FS**



Description P01L End cap kit, silver finish. 3pcs without hole and 3pcs with hole for connection cable.

Part No. **P01L-A-EC**