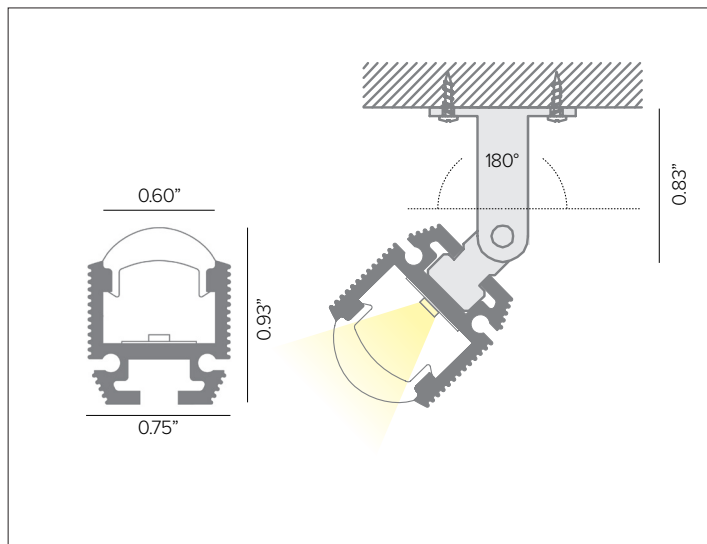


P03C PROFILE

Adjustable Aluminum Profile



Shown with P03C-S-PF-300 profile with P03C-A-OB bracket and P03C-A-EC end cap.



Surface mount adjustable aluminum profile with frosted PMMA lens. Lens shape creates narrower illumination.

Profile must be shipped via freight only. For efficient shipping via UPS/Fedex, lengths can be cut to 59\"/>

Part No. **P03C-S-PF-300**

ACCESSORIES



Description P03C stainless steel mounting bracket, 6pcs. Recommended to use 6pcs per each 3M profile.

Part No. **P03C-A-OB**



Description P03C end cap kit, silver finish. 3pcs without hole and 3pcs with hole for connection cable.

Part No. **P03C-A-EC**