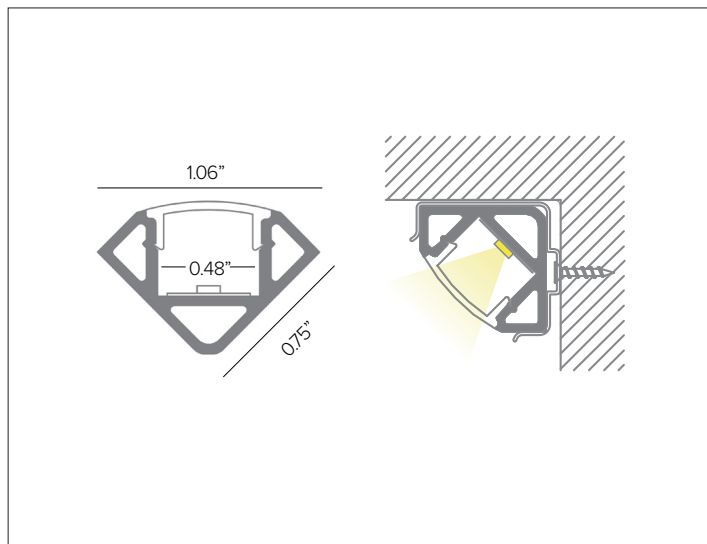


# P03F PROFILE

## Angled Aluminum Profile



Shown with P03F-S-PF-300 profile and P03F-A-MC end cap.



118" (3M)

45° aluminum profile with opal polycarbonate lens for surface or recessed corner applications. **Profile must be shipped via freight only. For efficient shipping via UPS/Fedex, lengths can be cut to 59" upon request.**

Part No. **P03F-S-PF-300**

### ACCESSORIES



Description P03F stainless steel mounting clips, 6pcs. Recommended to use 6pcs for per each 3M profile.

Part No. **P03F-A-MC**



Description P03F end cap kit, silver finish. 3pcs without hole and 3pcs with hole for connection cable.

Part No. **P03F-A-EC**